



US00D527682S

(12) **United States Design Patent** (10) **Patent No.:** **US D527,682 S**
Tam (45) **Date of Patent:** **** Sep. 5, 2006**

(54) **TROPHY PEDESTAL**

(76) Inventor: **Yi Choi Tam**, Room 805, New
Treasure Centre, 10 Ng Fong Street,
San Po Kong, Kowloon (CN)

(**) Term: **14 Years**

(21) Appl. No.: **29/242,973**

(22) Filed: **Nov. 17, 2005**

(30) **Foreign Application Priority Data**

May 25, 2005 (CA) 111323

(51) **LOC (8) Cl.** **11-02**

(52) **U.S. Cl.** **D11/164**

(58) **Field of Classification Search** D11/131,
D11/157, 158-164; 428/7, 15, 16, 31, 542.2,
428/542.4

See application file for complete search history.

(56) **References Cited**

U.S. PATENT DOCUMENTS

D179,598 S * 1/1957 Flauder D11/164
4,323,630 A * 4/1982 Mackey et al. 428/542.4
D293,219 S * 12/1987 Pierce D11/161
D398,260 S * 9/1998 Tam D11/164

OTHER PUBLICATIONS

NOBLE Trophies For Champions (R), copyright 1959, p.
26: item Nos. 730, 424 & 715 indicated by arrows.*
TROPHIES By International Sliver Co., Catalog No. 197, p.
10: ski figure pedestal portion indicated by arrow.*

TROPHIES catalog with handwritten identification: Atlas
Sports Shop 1963, p. 21: figure pedestal at top center of
page.*

DINN Bros., Inc. 1992 Factory Direct Wholesale Catalog, p.
8: pedestal portion of figure D.*

* cited by examiner

Primary Examiner—Catherine Tuttle
(74) *Attorney, Agent, or Firm*—McKee, Voorhees & Sease,
P.L.C.

(57) **CLAIM**

I claim the ornamental design for a trophy pedestal, as
shown.

DESCRIPTION

FIG. 1 is a top perspective view of the trophy pedestal
according to the design;

FIG. 2 is a right side elevational view thereof;

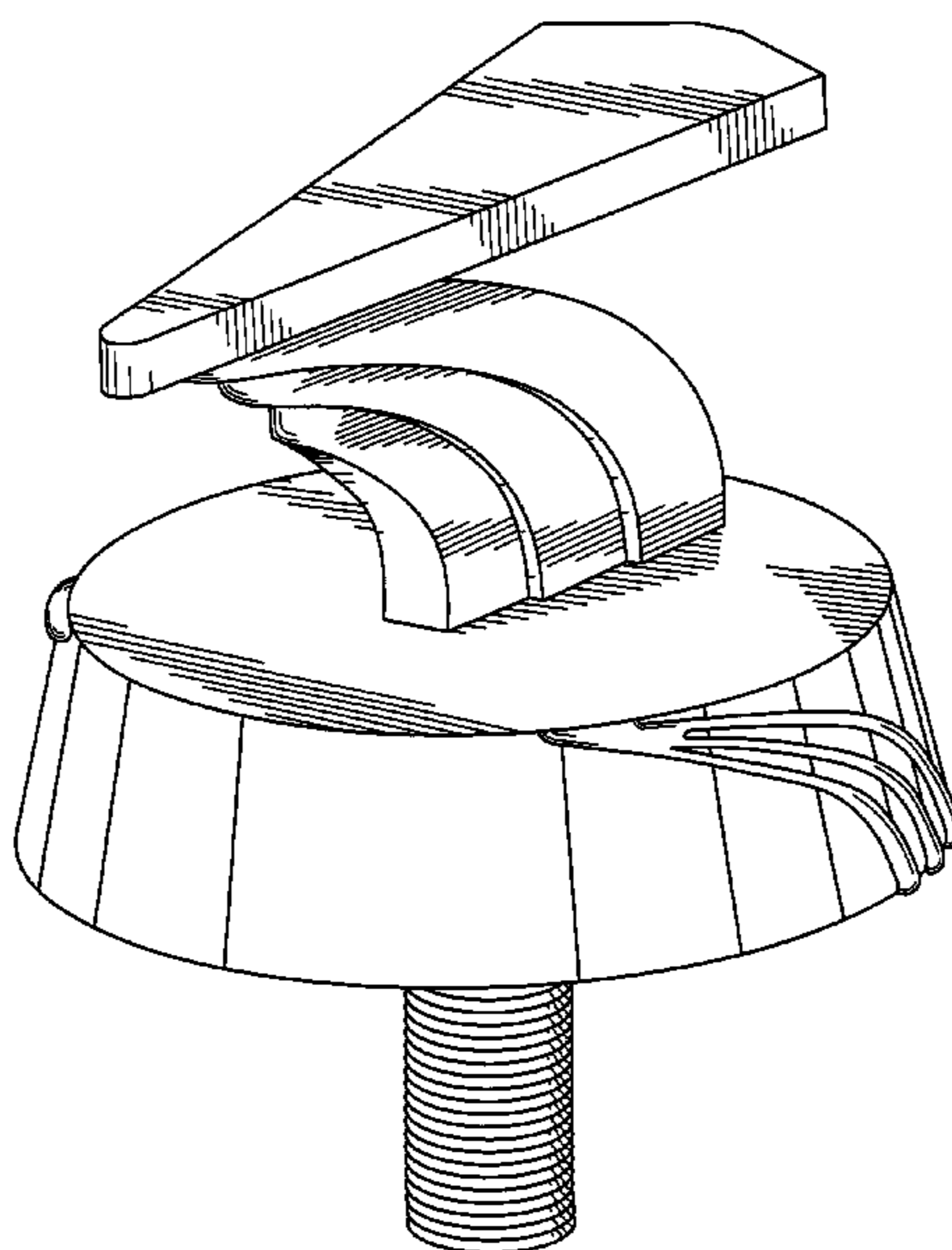
FIG. 3 is a left side elevational view thereof;

FIG. 4 is a front elevational view thereof;

FIG. 5 is a top plan view thereof; and,

FIG. 6 is a bottom plan view thereof.

1 Claim, 6 Drawing Sheets



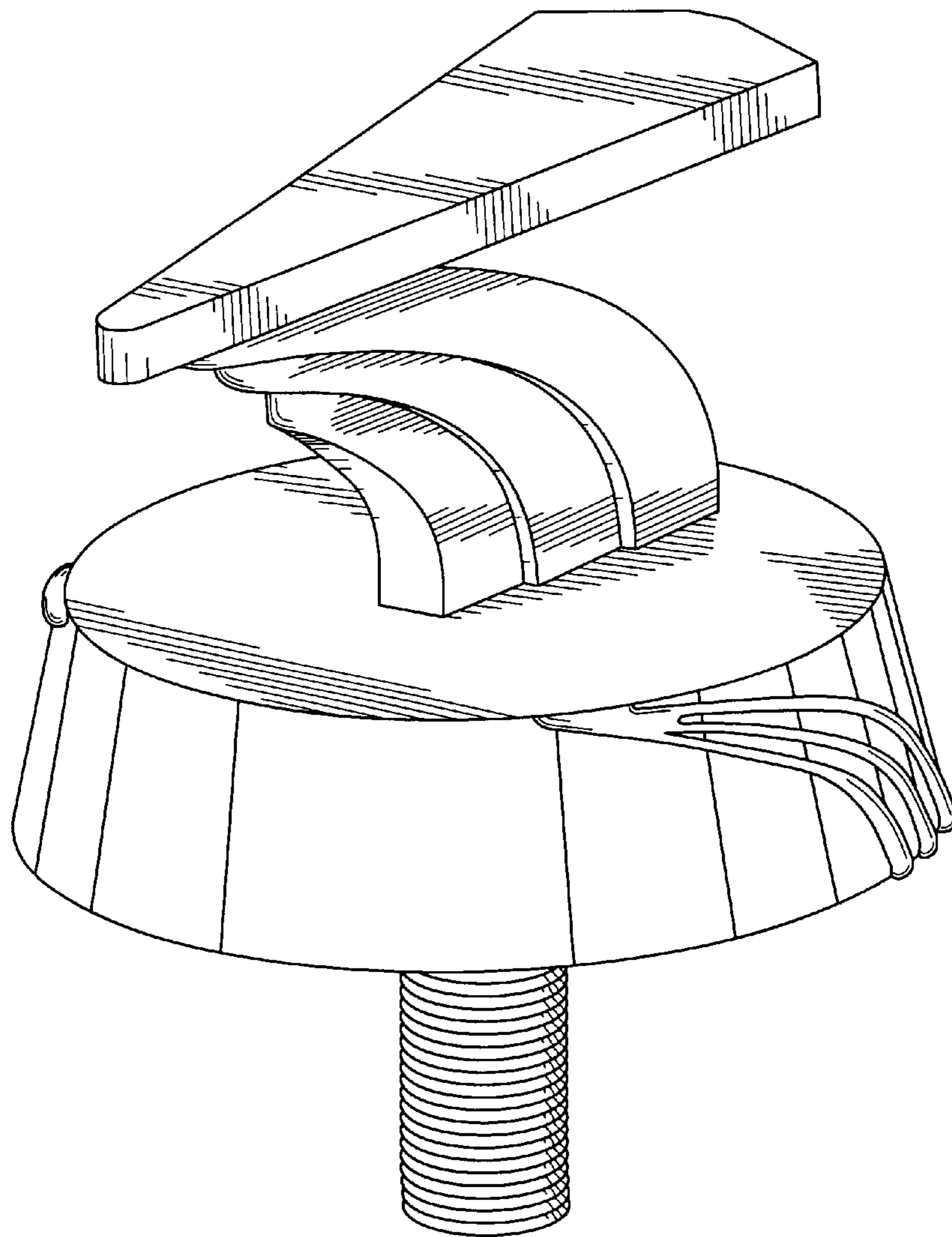


Fig. 1

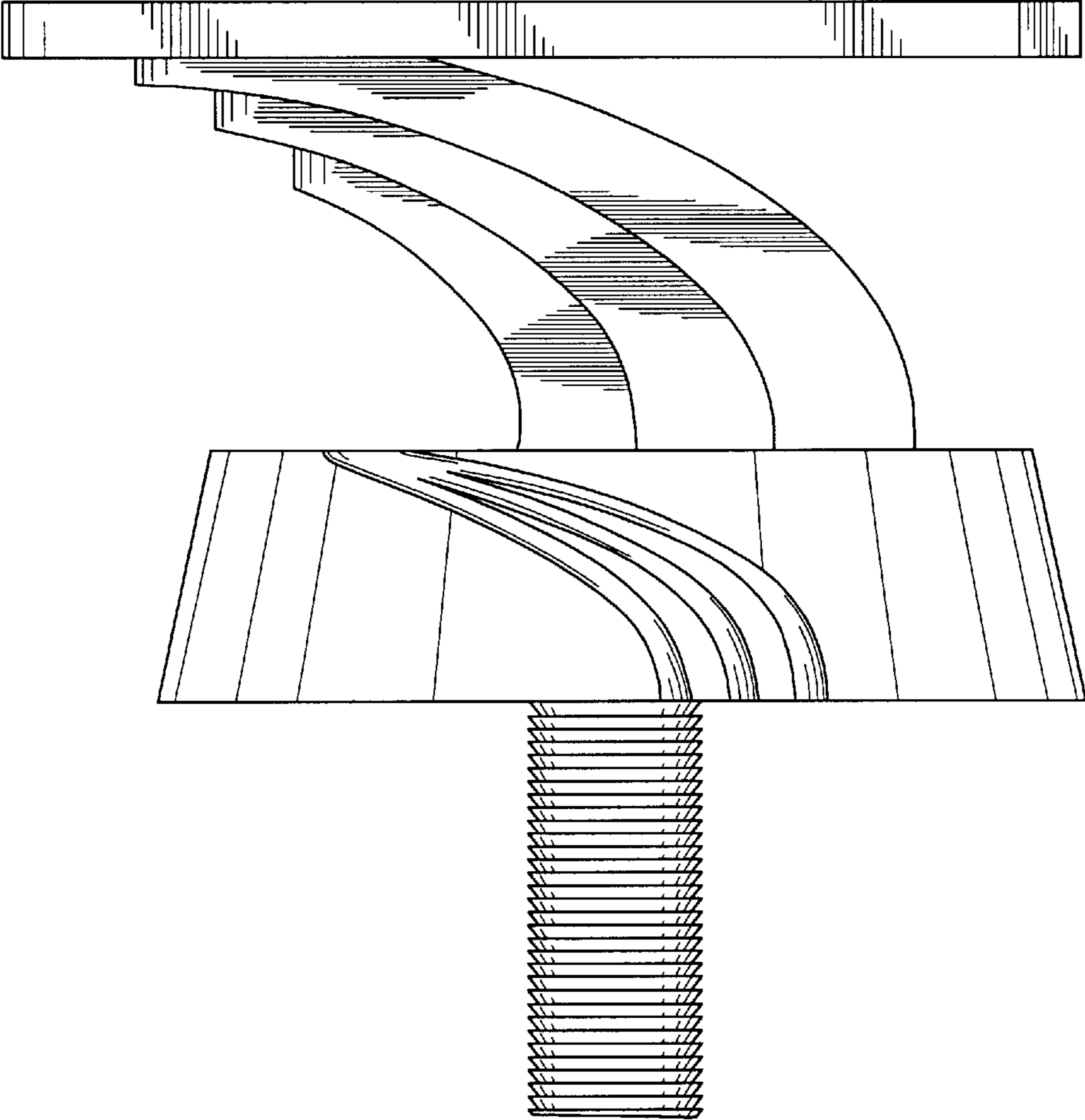


Fig. 2

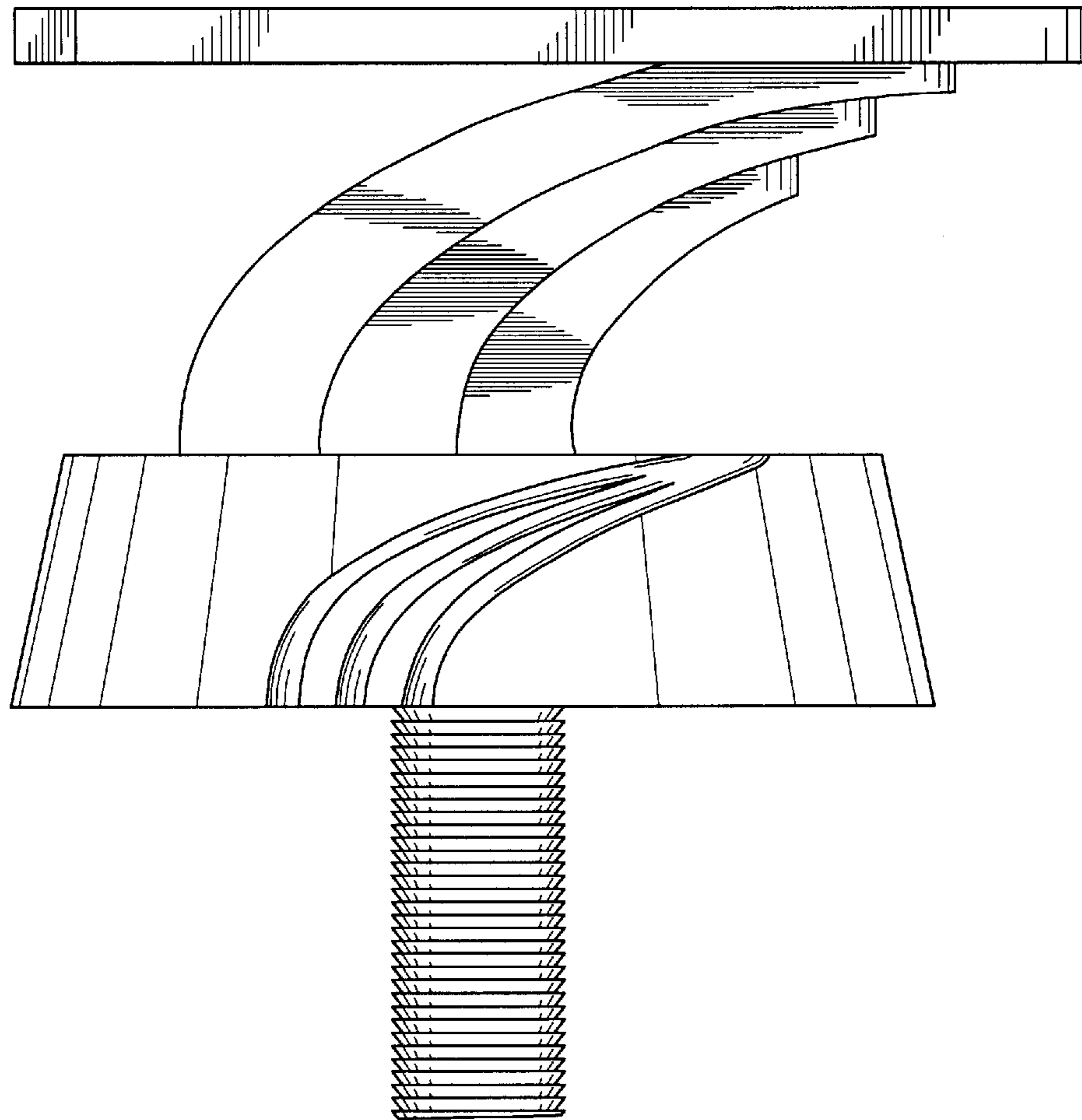


Fig. 3

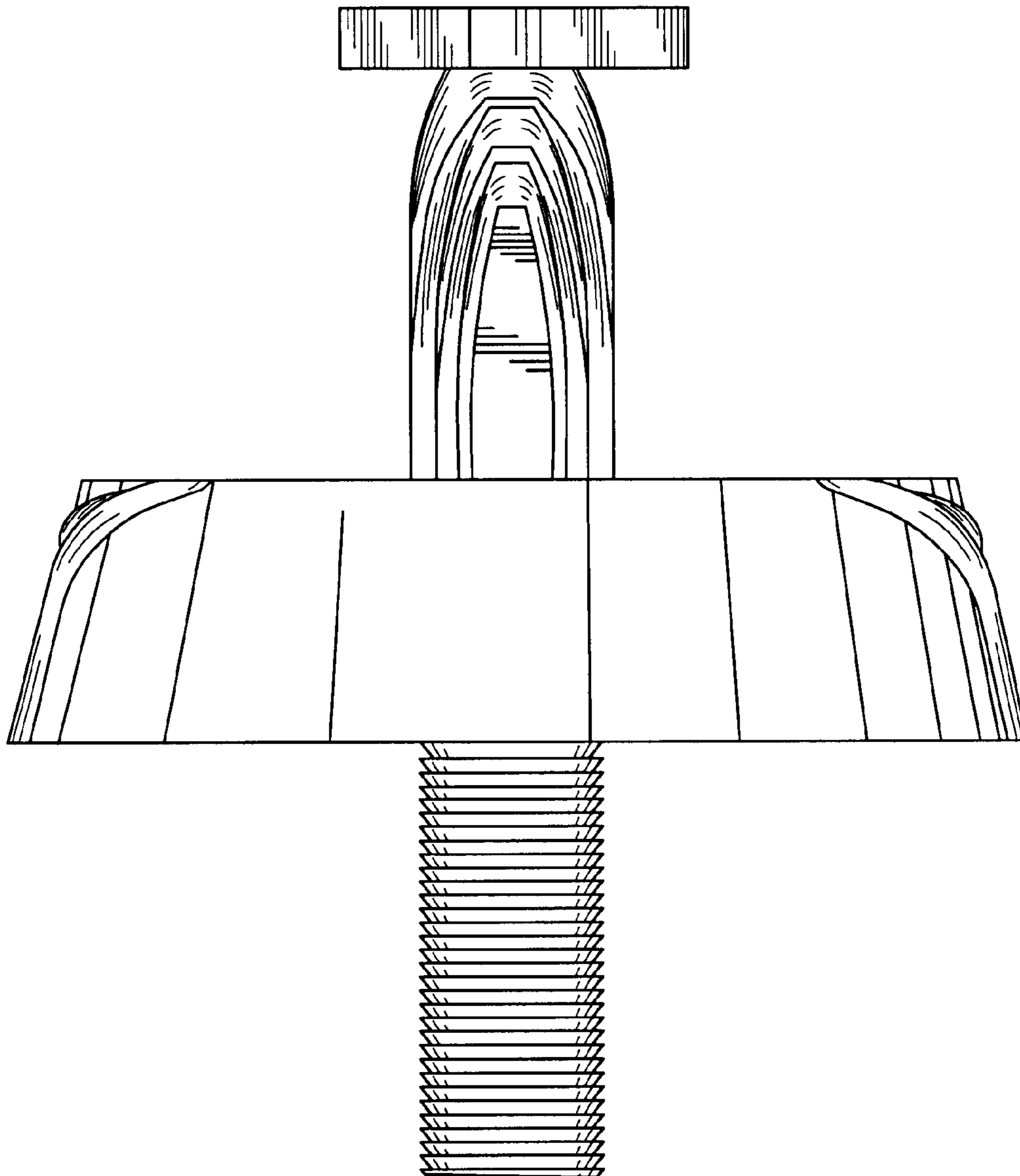


Fig. 4

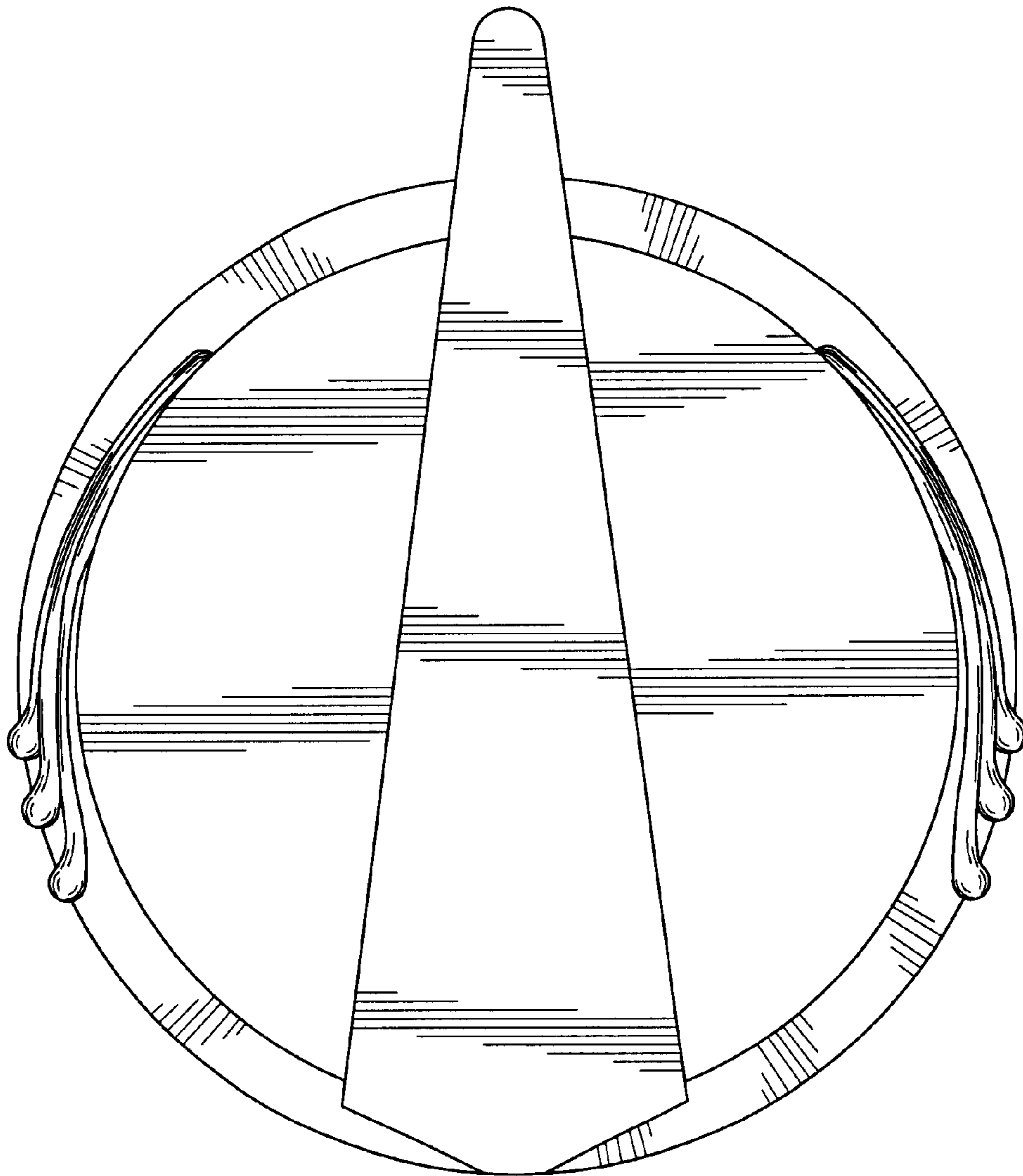


Fig. 5

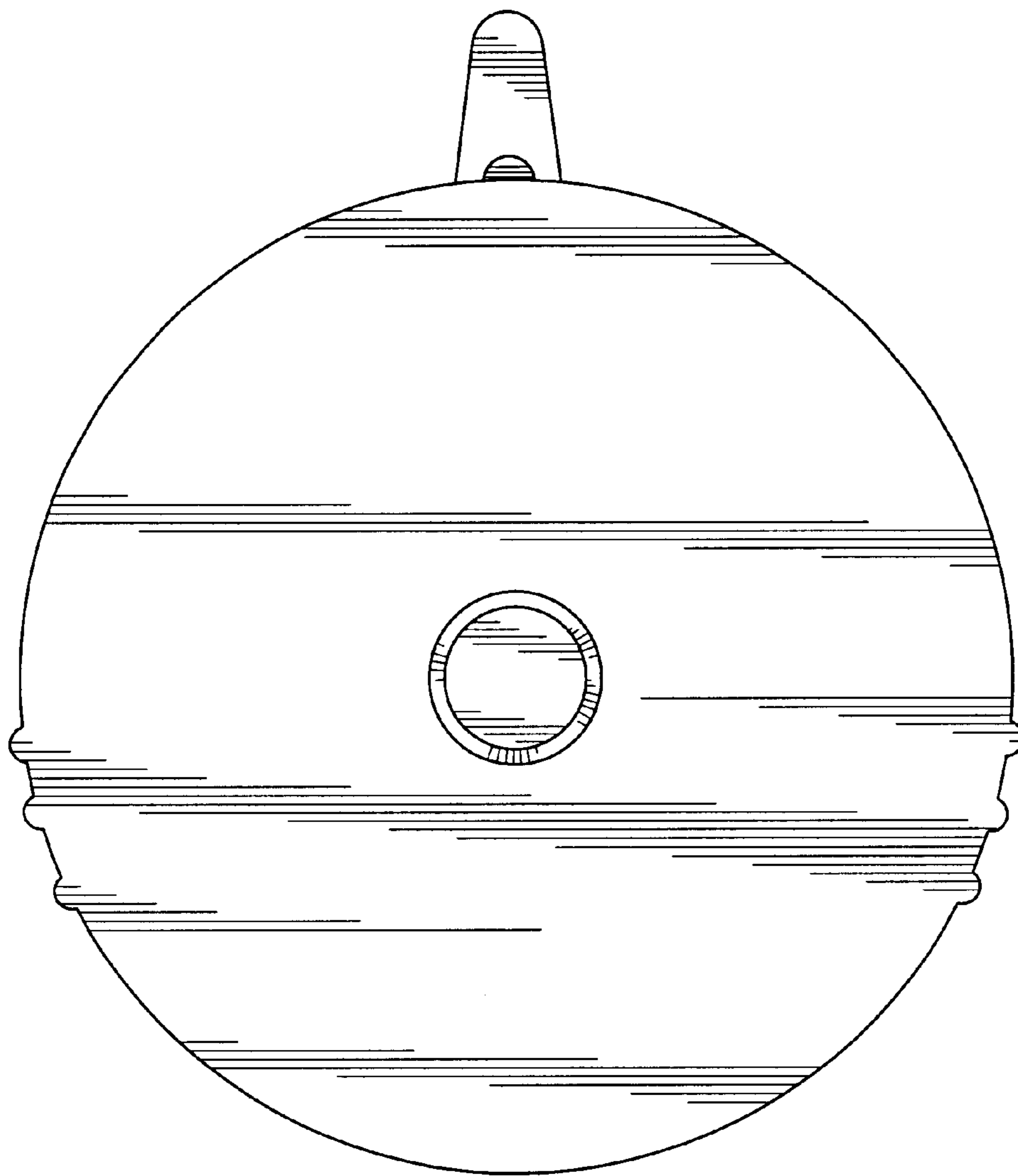


Fig. 6