



US00D527680S

(12) **United States Design Patent**  
**Weiser**

(10) **Patent No.:** **US D527,680 S**  
(45) **Date of Patent:** **\*\* Sep. 5, 2006**

- (54) **WHIMSICAL MOUSE SPINNER**
- (75) Inventor: **Margaret Weiser**, Tarzana, CA (US)
- (73) Assignee: **Exhart Environmental Systems, Inc.**, Chatsworth, CA (US)
- (\*\*) Term: **14 Years**
- (21) Appl. No.: **29/240,912**
- (22) Filed: **Oct. 20, 2005**
- (51) **LOC (8) Cl.** ..... **11-02**
- (52) **U.S. Cl.** ..... **D11/158; D21/458; D21/656**
- (58) **Field of Classification Search** ..... D11/127, D11/141, 157-164; D21/455, 458, 576-661; D10/54, 59; 428/12, 16, 542.2, 542.4; 446/201, 446/217, 218, 233, 234-236, 268-395; 40/411-413, 40/417-420; 70/170.05, 170.07  
See application file for complete search history.

D193,015 S	6/1962	Curtis	
3,220,253 A	11/1965	Parker	
D206,074 S	* 10/1966	Bayhars	..... D21/656
3,290,817 A	12/1966	Kravath	
D213,013 S	12/1968	Klingberg	
D241,461 S	* 9/1976	Lambert	..... D21/592
4,031,656 A	6/1977	Kupperman et al.	
4,863,413 A	9/1989	Schwarz	
5,085,075 A	2/1992	Baker	
5,205,775 A	* 4/1993	Brodrib	..... 446/317
5,469,738 A	11/1995	Hendrickson	
5,551,923 A	9/1996	Worzella	
5,613,317 A	3/1997	Ninegar	
D384,598 S	10/1997	Park	
D387,636 S	12/1997	Chang	
D394,463 S	5/1998	Filho	
D402,231 S	12/1998	Mumford	
D420,409 S	* 2/2000	Koenig	..... D21/698
6,095,458 A	8/2000	Cripe	
6,206,747 B1	3/2001	Skwarek	
D465,249 S	11/2002	Weiser et al.	
6,475,056 B1	11/2002	Christianson	
6,773,331 B1	* 8/2004	Weiser	..... 446/491
D506,951 S	* 7/2005	Weiser	..... D11/158
D512,470 S	* 12/2005	Sikio	..... D21/656

(56) **References Cited**

**U.S. PATENT DOCUMENTS**

278,461 A	5/1883	Screven	
854,190 A	* 5/1907	Wiedemann	..... 40/477
1,263,838 A	* 4/1918	Barber	..... 446/199
1,538,562 A	5/1925	Koshalko	
1,591,661 A	7/1926	Dinsdale	
D70,840 S	* 8/1926	Grove	..... D21/585
1,601,983 A	10/1926	Savage	
D75,871 S	7/1928	Reek	
D75,908 S	7/1928	Fridolph et al.	
D83,606 S	3/1931	Greenan	
D84,022 S	* 4/1931	Berger	..... D21/656
1,814,314 A	7/1931	Kane et al.	
1,940,490 A	12/1933	Frazier	
D131,617 S	3/1942	Jacoby	
D142,968 S	11/1945	Royals	
D147,378 S	8/1947	Rouse	
D148,263 S	12/1947	Wagner	
D160,794 S	* 11/1950	Levinson	..... D21/656
D170,504 S	* 9/1953	Lee	..... D19/78
2,729,022 A	1/1956	Polk	
D185,075 S	5/1959	Erenhouse	

\* cited by examiner

*Primary Examiner*—Catherine Tuttle  
(74) *Attorney, Agent, or Firm*—Cislo & Thomas, LLP

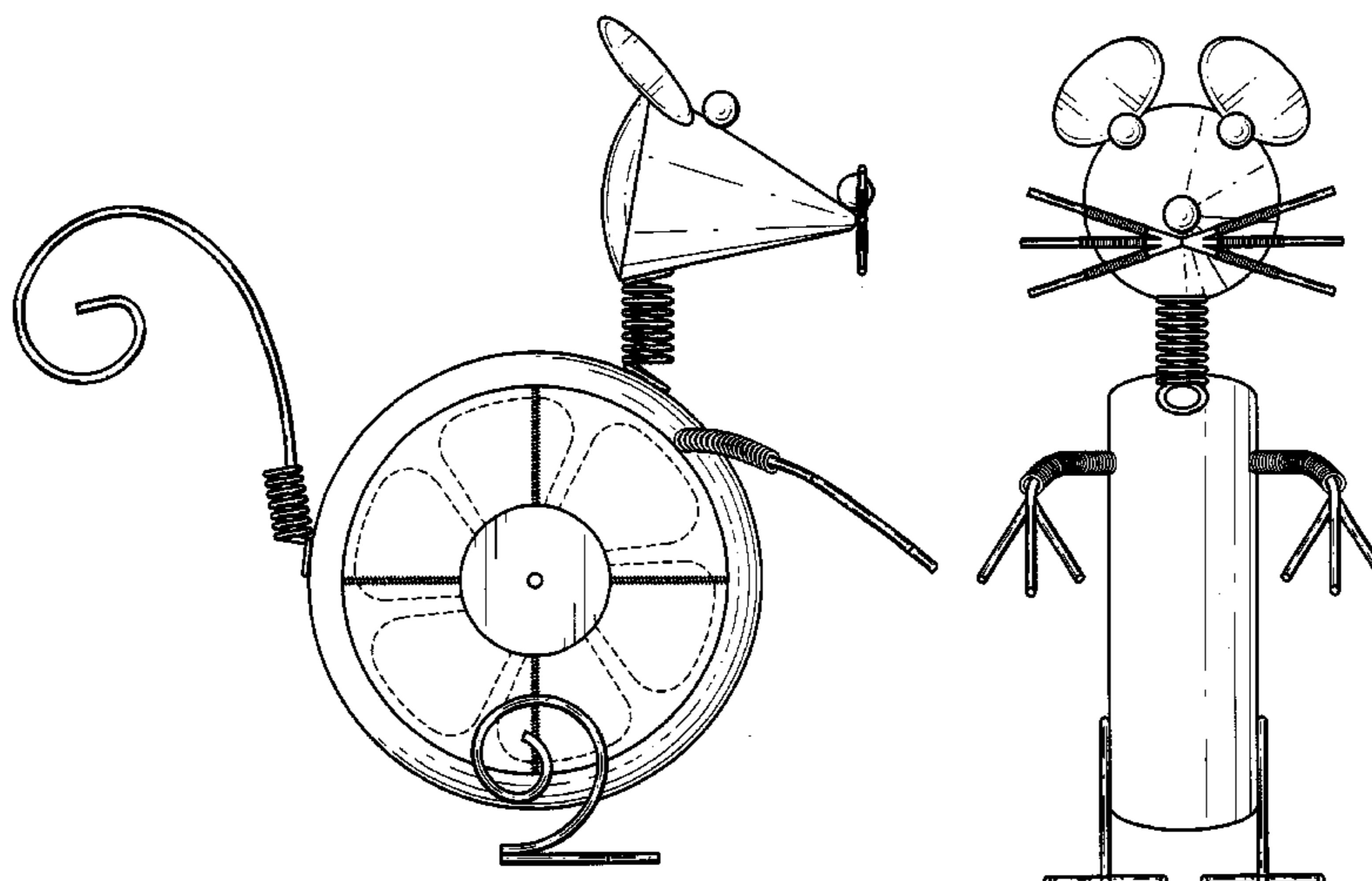
(57) **CLAIM**

I claim the ornamental design for a whimsical mouse spinner, as shown and described.

**DESCRIPTION**

FIG. 1 is a right side elevational view of my whimsical mouse spinner with the left side elevational view being a mirror image thereof;  
FIG. 2 is a front view thereof;  
FIG. 3 is a back view thereof; and,  
FIG. 4 is a top view thereof.  
The portions shown in broken lines are for illustrative purposes only, and form no part of the claimed design.

**1 Claim, 4 Drawing Sheets**



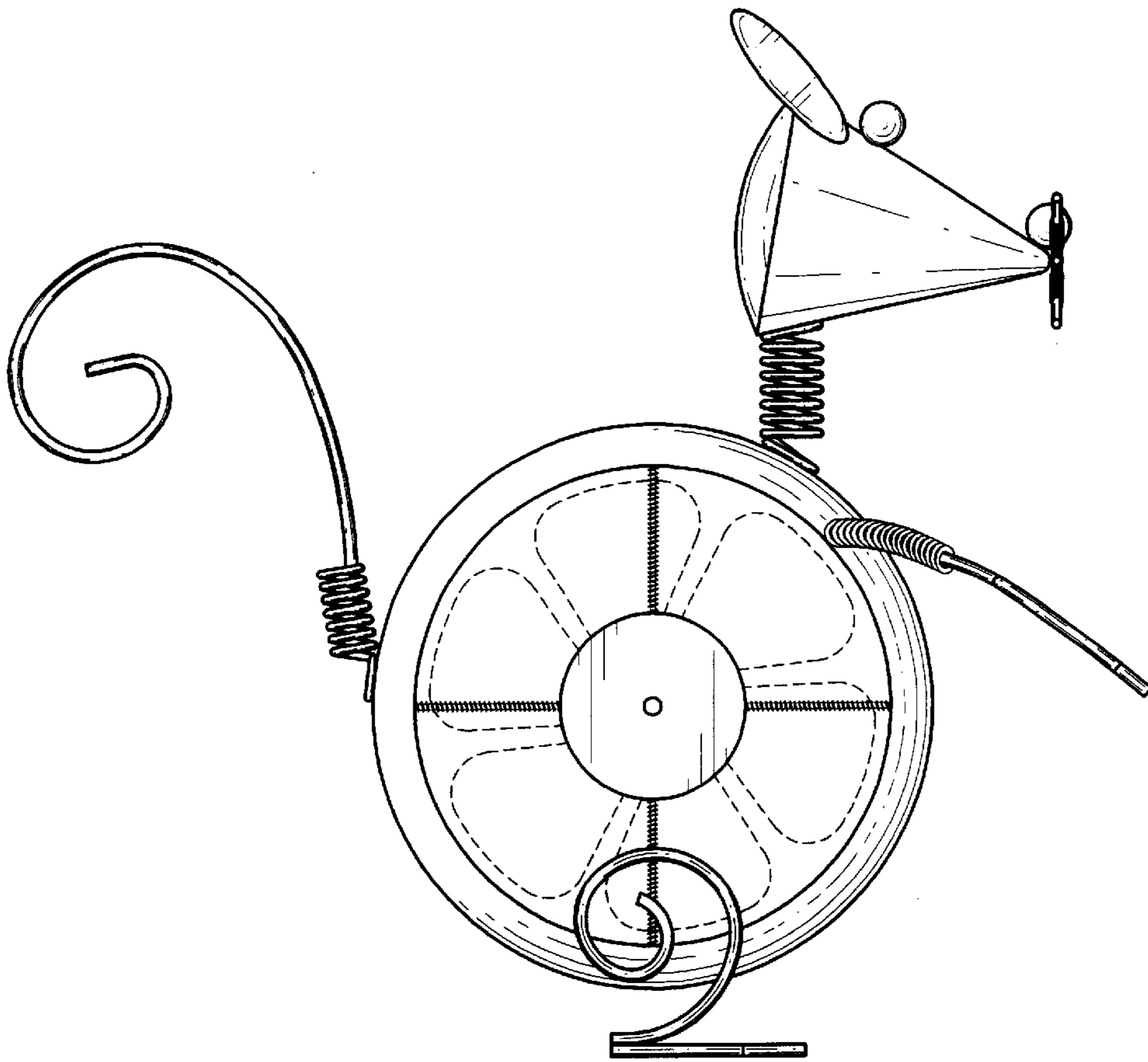


FIG. 1

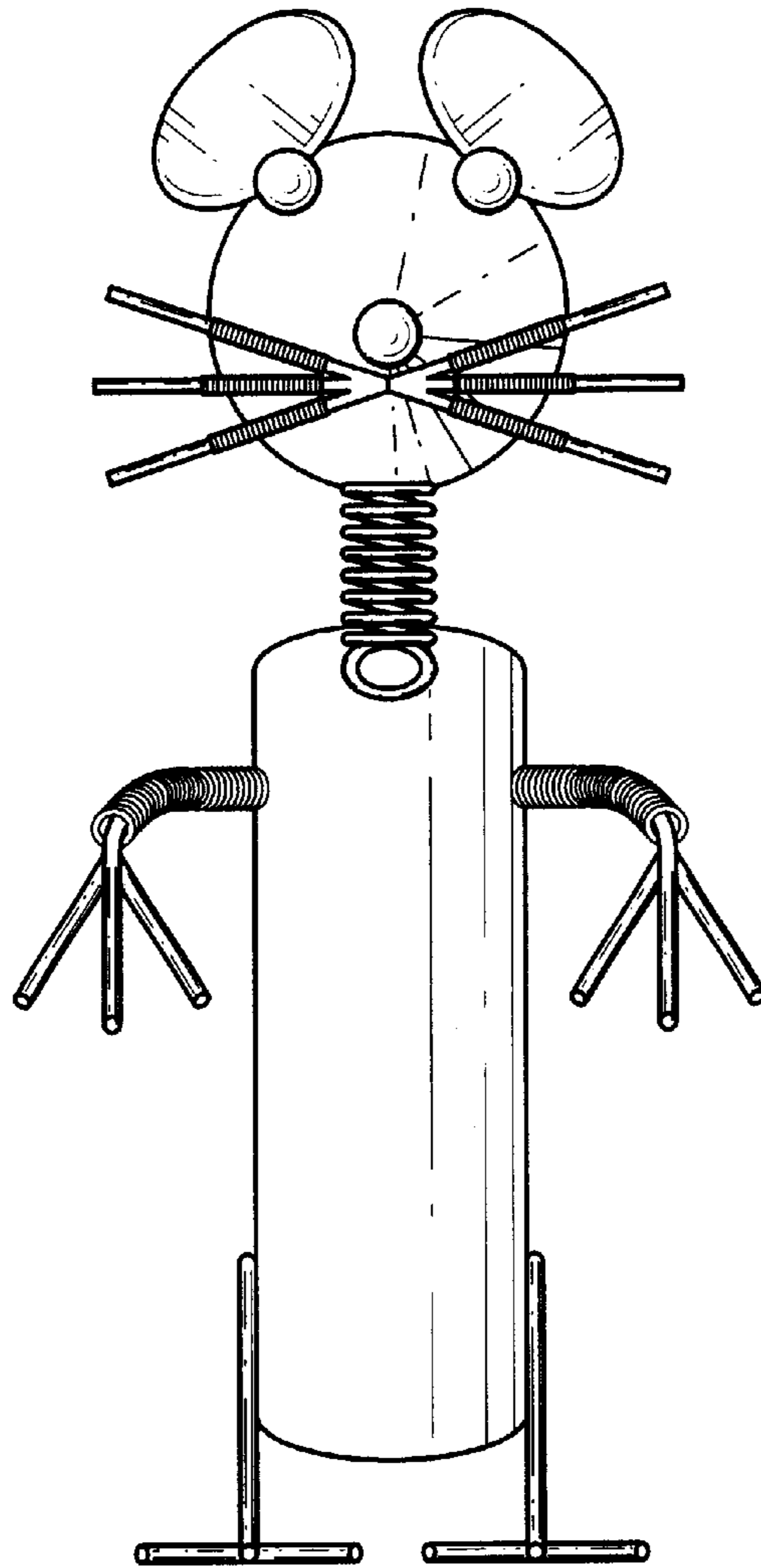


FIG. 2

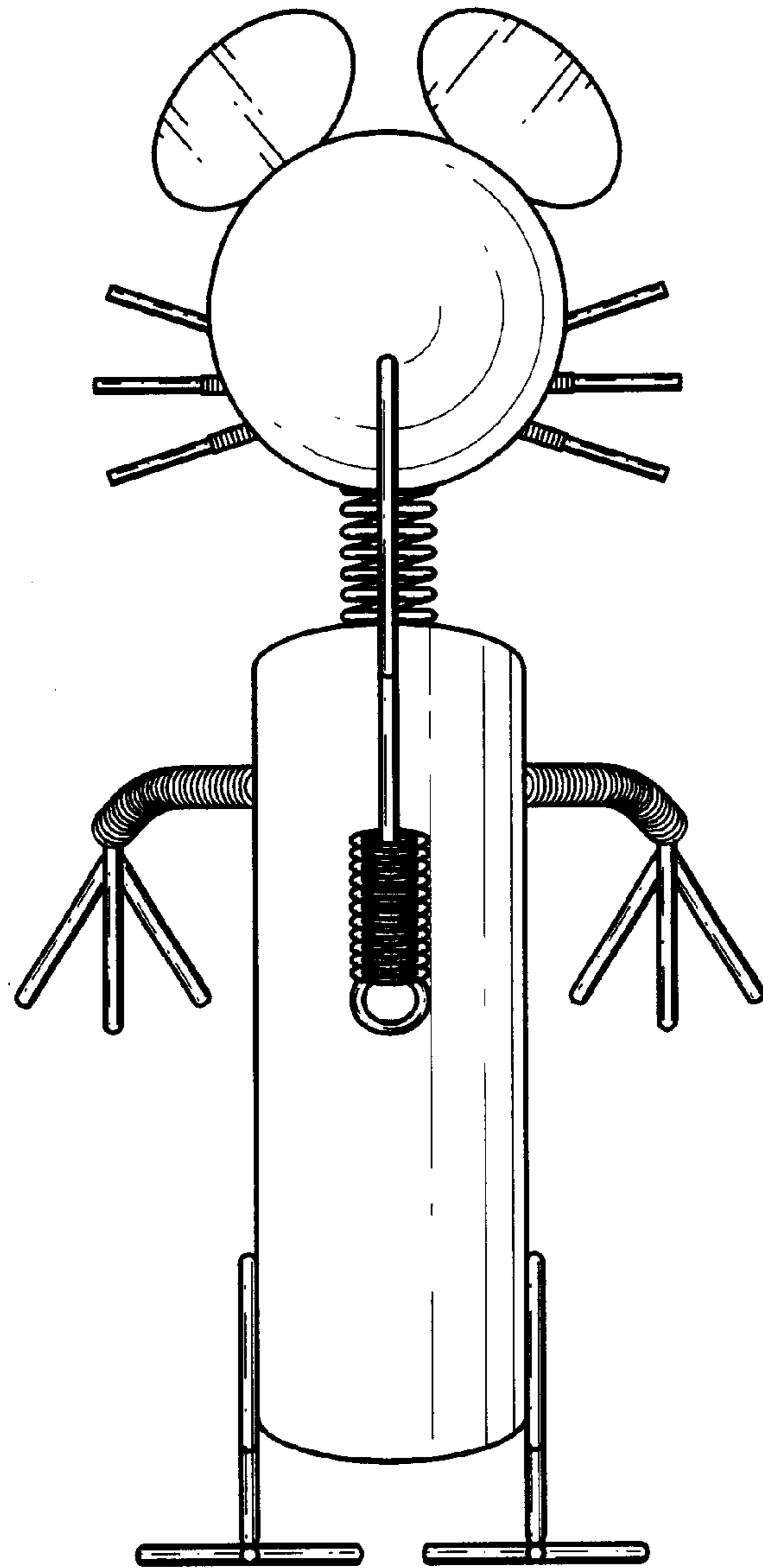


FIG. 3

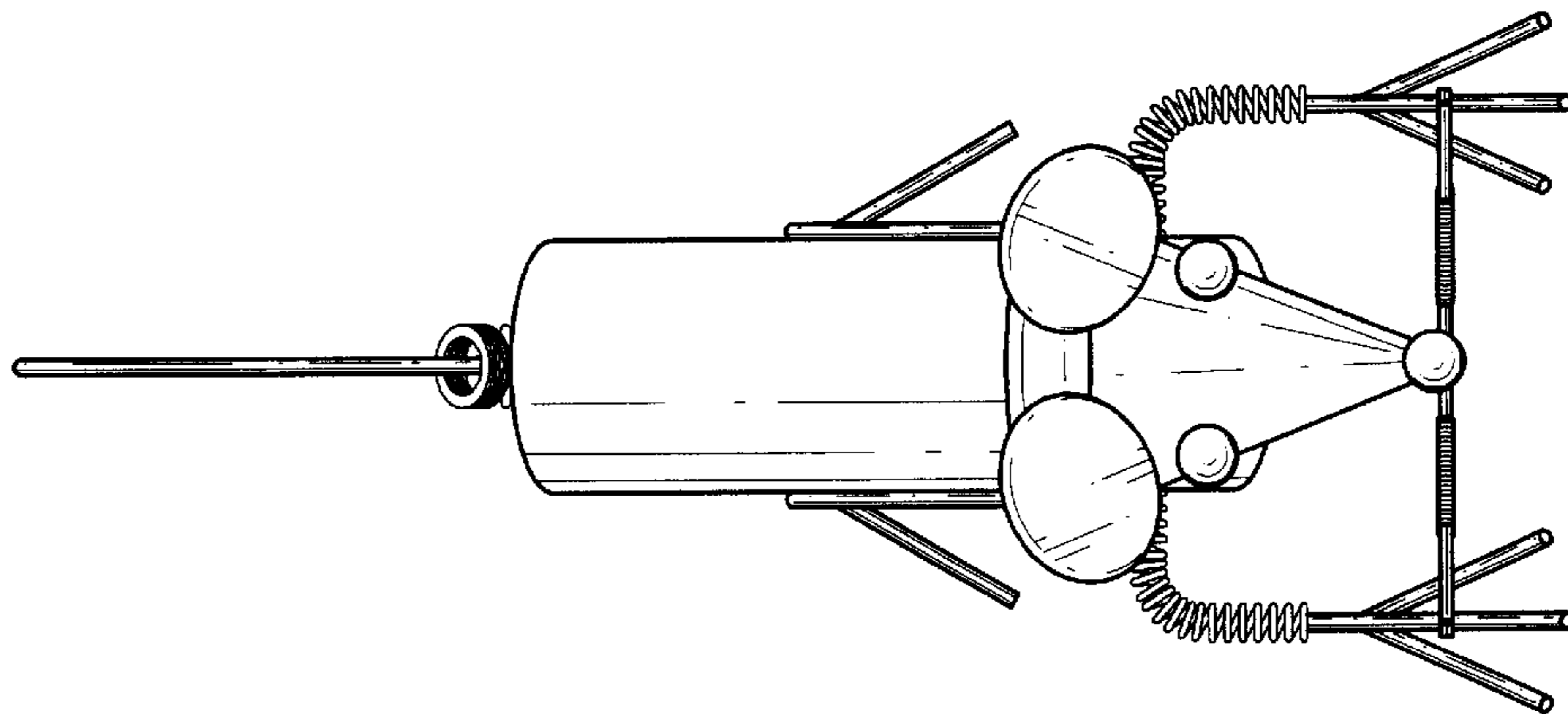


FIG. 4