



US00D527674S

(12) **United States Design Patent**
Biglarians

(10) **Patent No.:** **US D527,674 S**

(45) **Date of Patent:** **** Sep. 5, 2006**

(54) **INCENSE KIT**

(75) Inventor: **Norvan Biglarians**, Stafford, TX (US)

(73) Assignee: **N.B.S.P., Inc.**, Stafford, TX (US)

(**) Term: **14 Years**

(21) Appl. No.: **29/210,511**

(22) Filed: **Aug. 2, 2004**

(51) **LOC (8) Cl.** **99-00**

(52) **U.S. Cl.** **D11/131.1**

(58) **Field of Classification Search** D11/131.1,
D11/164; D27/102, 103, 135-138, 172, 174,
D27/175, 181, 182, 183, 186, 187; D19/75,
D19/77, 79, 83, 95; D7/550.1, 553.2-555.5,
D7/641; D9/715, 721, 737, 414, 424, 432,
D9/455, 456; 422/125, 126; 131/329, 231,
131/234, 235.1, 238, 239, 240.1, 241, 242,
131/257; 206/82, 102, 132, 133, 136, 216,
206/223, 242, 246, 486, 488, 562, 563-565;
248/176.2, 346.03; 211/60.1

See application file for complete search history.

(56) **References Cited**

U.S. PATENT DOCUMENTS

978,561 A * 12/1910 Cherry 422/124
D46,984 S * 2/1915 Lindsay D19/78
D55,610 S * 7/1920 Haupt D19/99
3,360,790 A * 12/1967 Rossitto 340/309.7

D237,386 S * 10/1975 Tokunaga D11/131.1
D246,910 S * 1/1978 Patel D11/131.1
4,155,979 A * 5/1979 Powell 422/126
D253,548 S * 11/1979 Gruber D11/131.1
D264,869 S * 6/1982 Gordon D11/131.1
5,873,370 A * 2/1999 Towle et al. 131/190
D412,762 S * 8/1999 Miller D27/102

* cited by examiner

Primary Examiner—Catherine Tuttle

(74) *Attorney, Agent, or Firm*—Egbert Law Offices

(57) **CLAIM**

I claim the ornamental design for an incense kit, as shown and described.

DESCRIPTION

FIG. 1 is an upper perspective view of the incense kit showing my design.

FIG. 2 is a top view thereof;

FIG. 3 is a bottom view thereof;

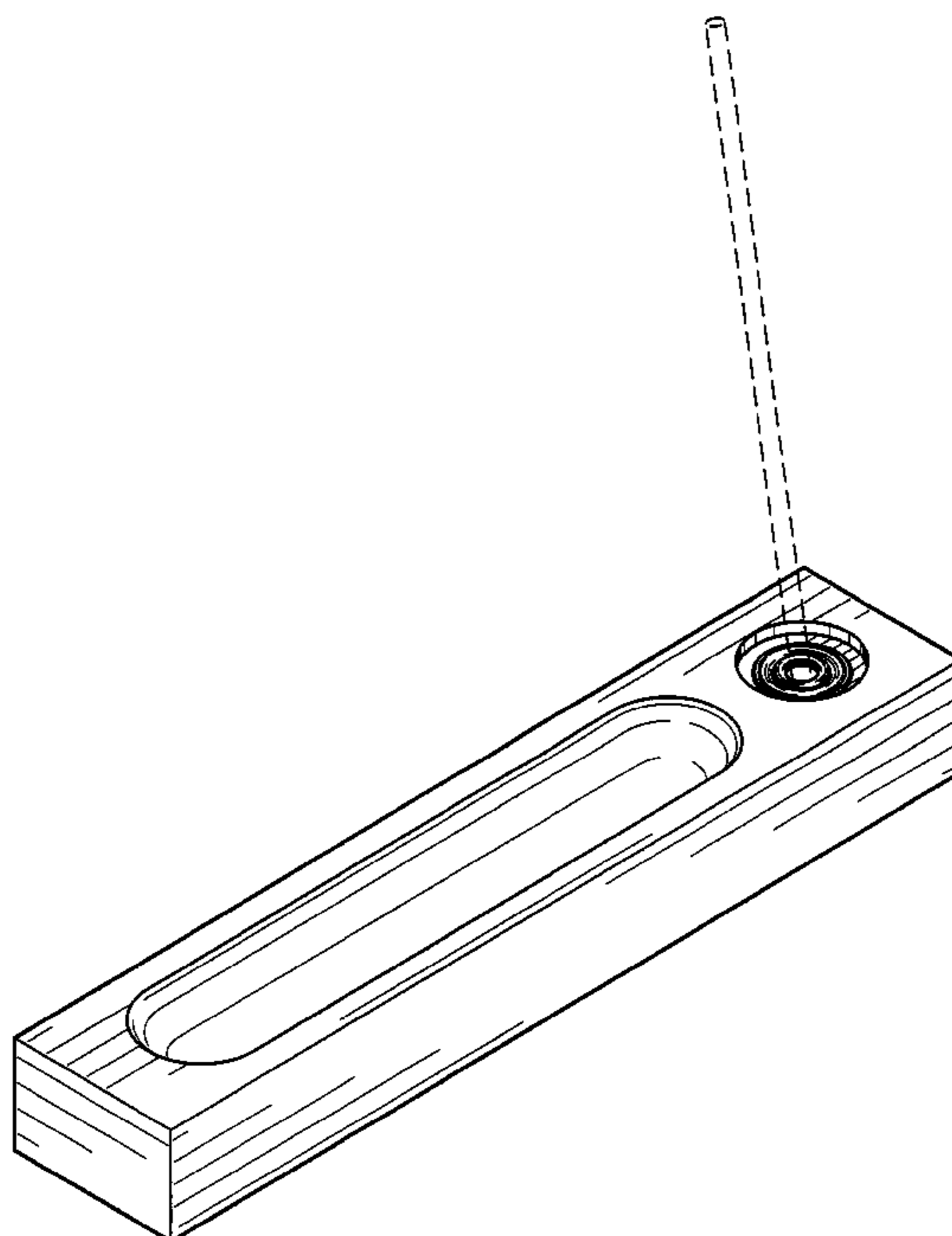
FIG. 4 is a side view thereof, wherein an opposite side view is a mirror image thereof;

FIG. 5 is an end view thereof, wherein an opposite end view is a mirror image thereof; and,

FIG. 6 is another upper perspective view thereof showing attachment of an incense element in broken lines.

The features shown in broken lines are presented for illustrative purposes only and form no part of the claimed design.

1 Claim, 2 Drawing Sheets



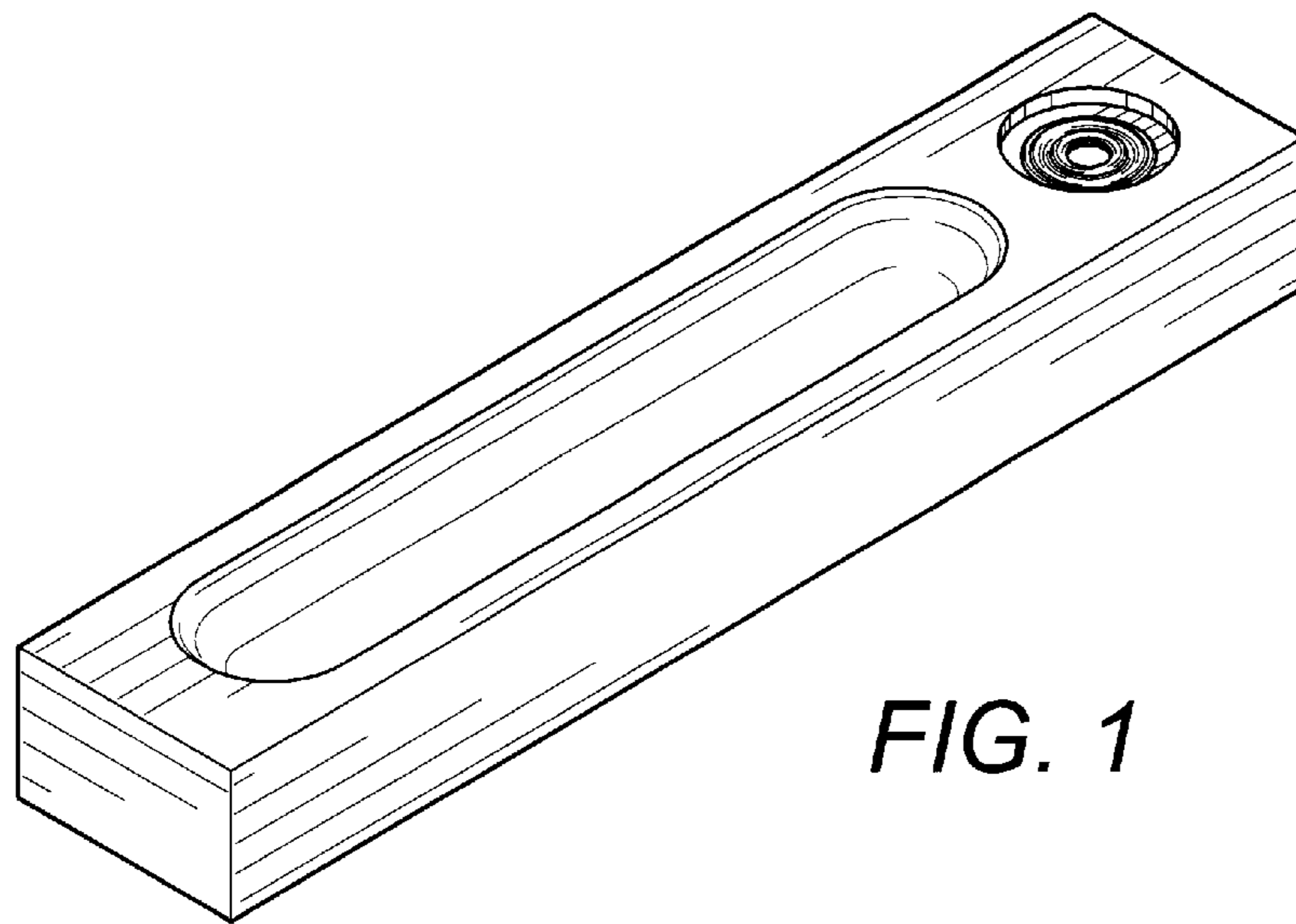


FIG. 1

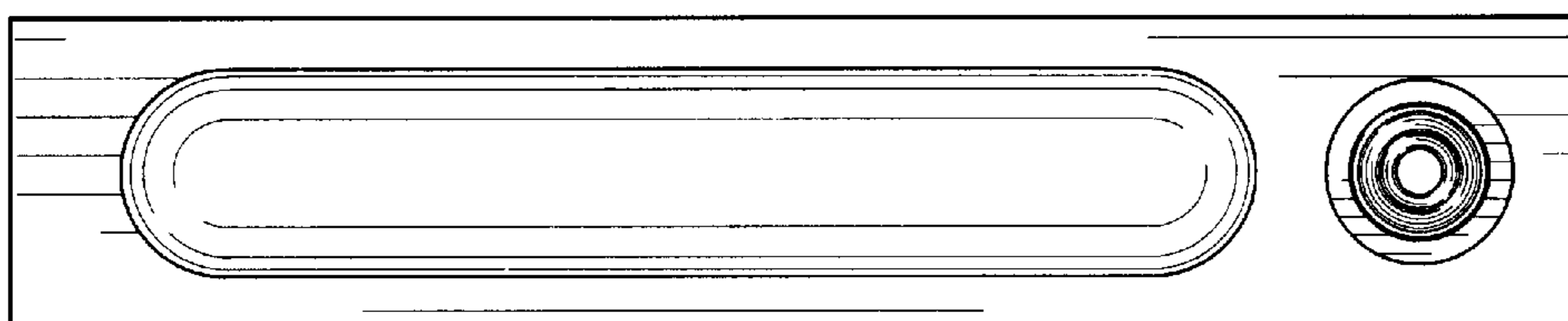


FIG. 2

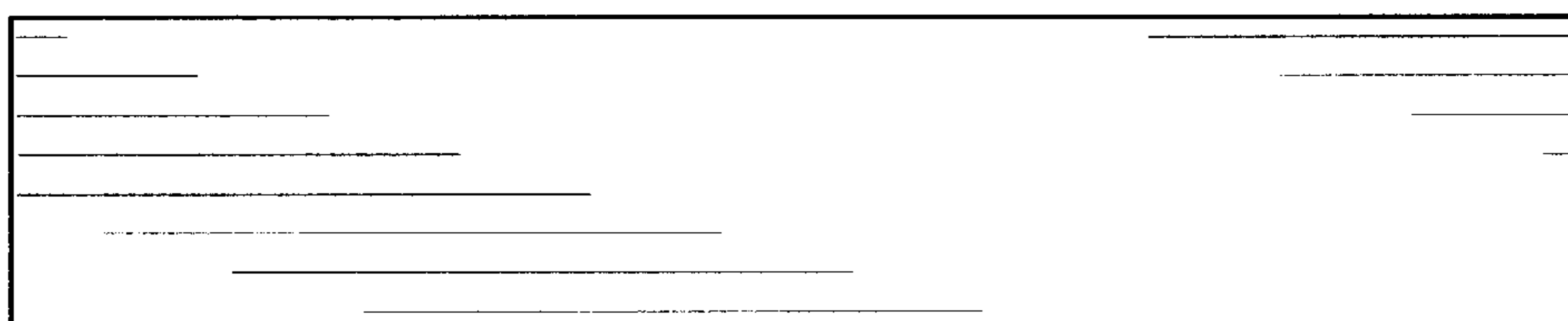


FIG. 3



FIG. 4

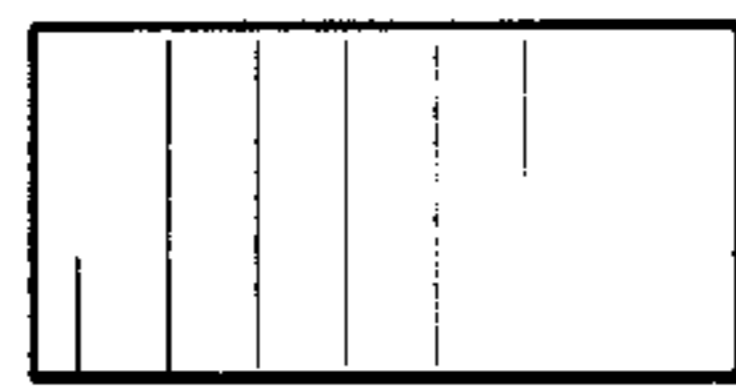


FIG. 5

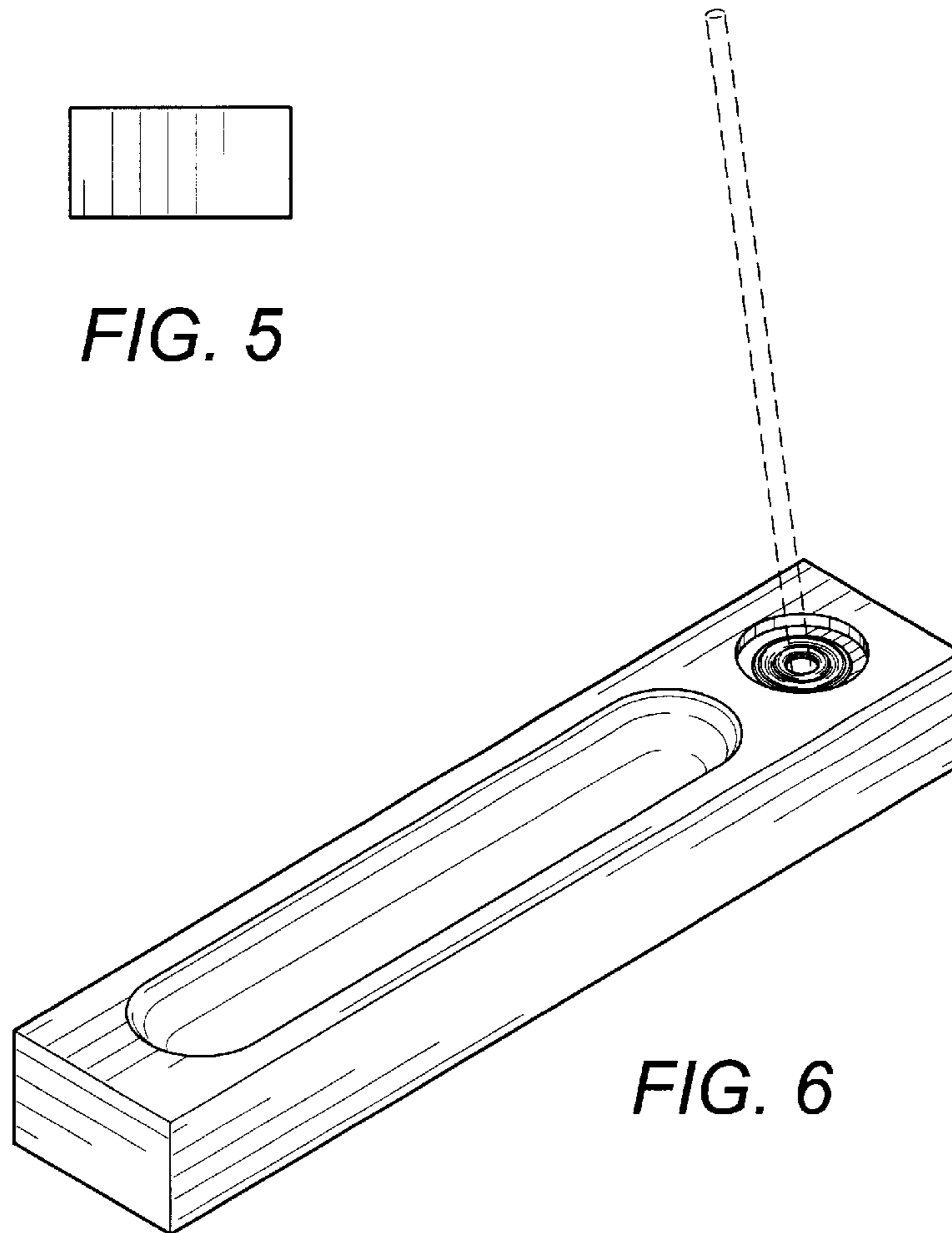


FIG. 6