



US00D527666S

(12) **United States Design Patent**  
**Tal et al.**

(10) **Patent No.:** **US D527,666 S**

(45) **Date of Patent:** **\*\* Sep. 5, 2006**

(54) **DEVICE FOR DETECTING MOTION AND CONTROLLING LIGHT AND TEMPERATURE**

D384,177 S \* 9/1997 Pun ..... D10/106  
D478,833 S \* 8/2003 Belden et al. .... D10/106

\* cited by examiner

(75) Inventors: **Elisha Tal**, Nataf (IL); **Josef Hefetz**, Tel Aviv (IL)

*Primary Examiner*—Antoine D. Davis  
(74) *Attorney, Agent, or Firm*—Abelman, Frayne & Schwab

(73) Assignee: **Visonic Ltd.**, Tel Aviv (IL)

(\*\*) Term: **14 Years**

(57) **CLAIM**

(21) Appl. No.: **29/236,472**

The ornamental design for device for detecting motion and controlling light and temperature, as shown and described.

(22) Filed: **Aug. 15, 2005**

**DESCRIPTION**

(51) **LOC (8) Cl.** ..... **10-05**

(52) **U.S. Cl.** ..... **D10/106**

(58) **Field of Classification Search** ..... D10/106,  
D10/46; 340/539.22–539.29, 540–567; 348/143,  
348/155; 356/5.01, 140, 622; 362/802; 382/103  
See application file for complete search history.

FIG. 1 is a front view showing our new device for detecting motion and controlling light and temperature design;  
FIG. 2 is a rear view thereof;  
FIG. 3 is a bottom view thereof;  
FIG. 4 is a top view thereof; and,  
FIG. 5 is a side view thereof with the other side being a mirror image.

(56) **References Cited**

**U.S. PATENT DOCUMENTS**

D317,579 S \* 6/1991 Shalvi ..... D10/106

**1 Claim, 3 Drawing Sheets**

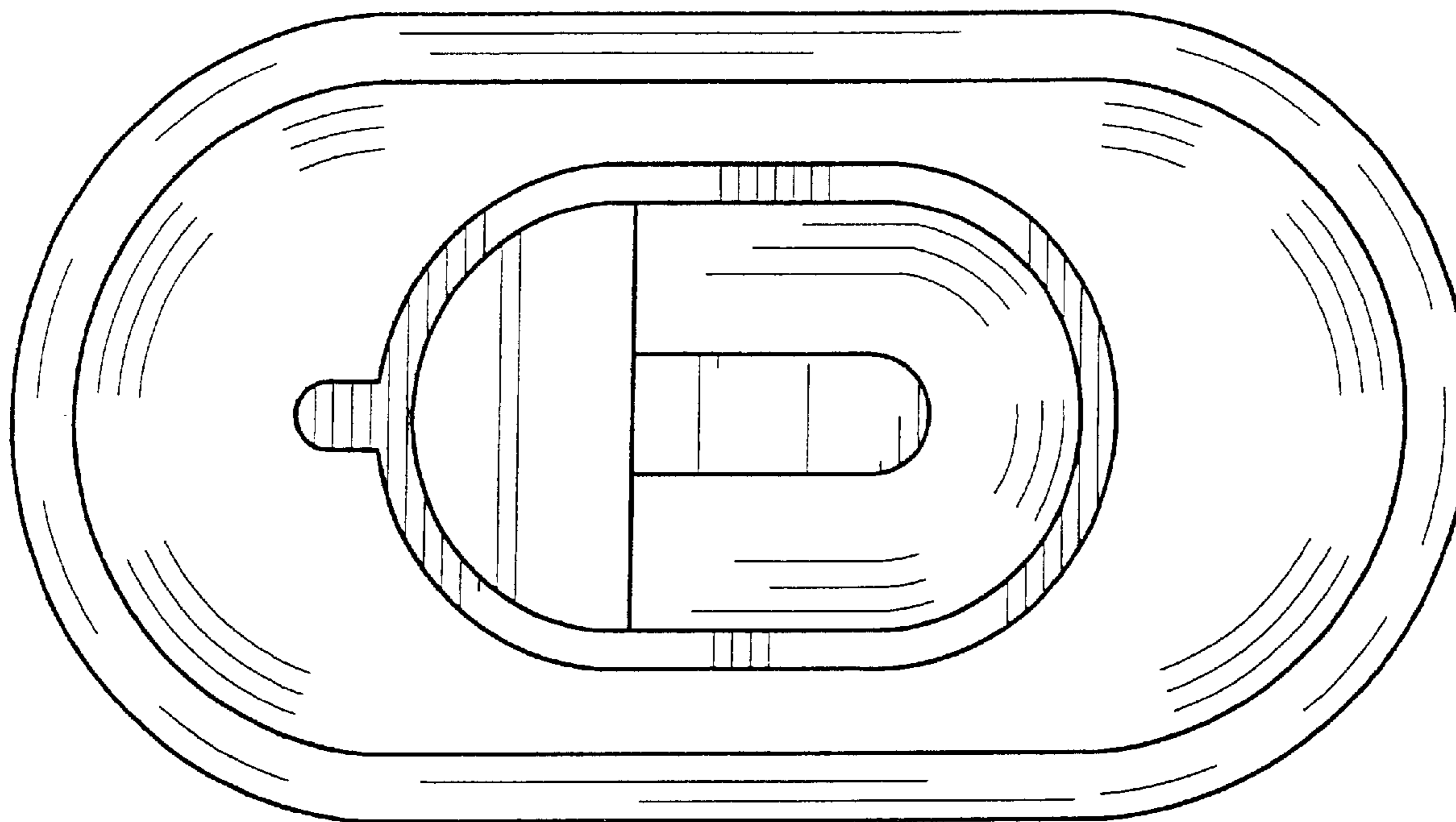


FIG. 1

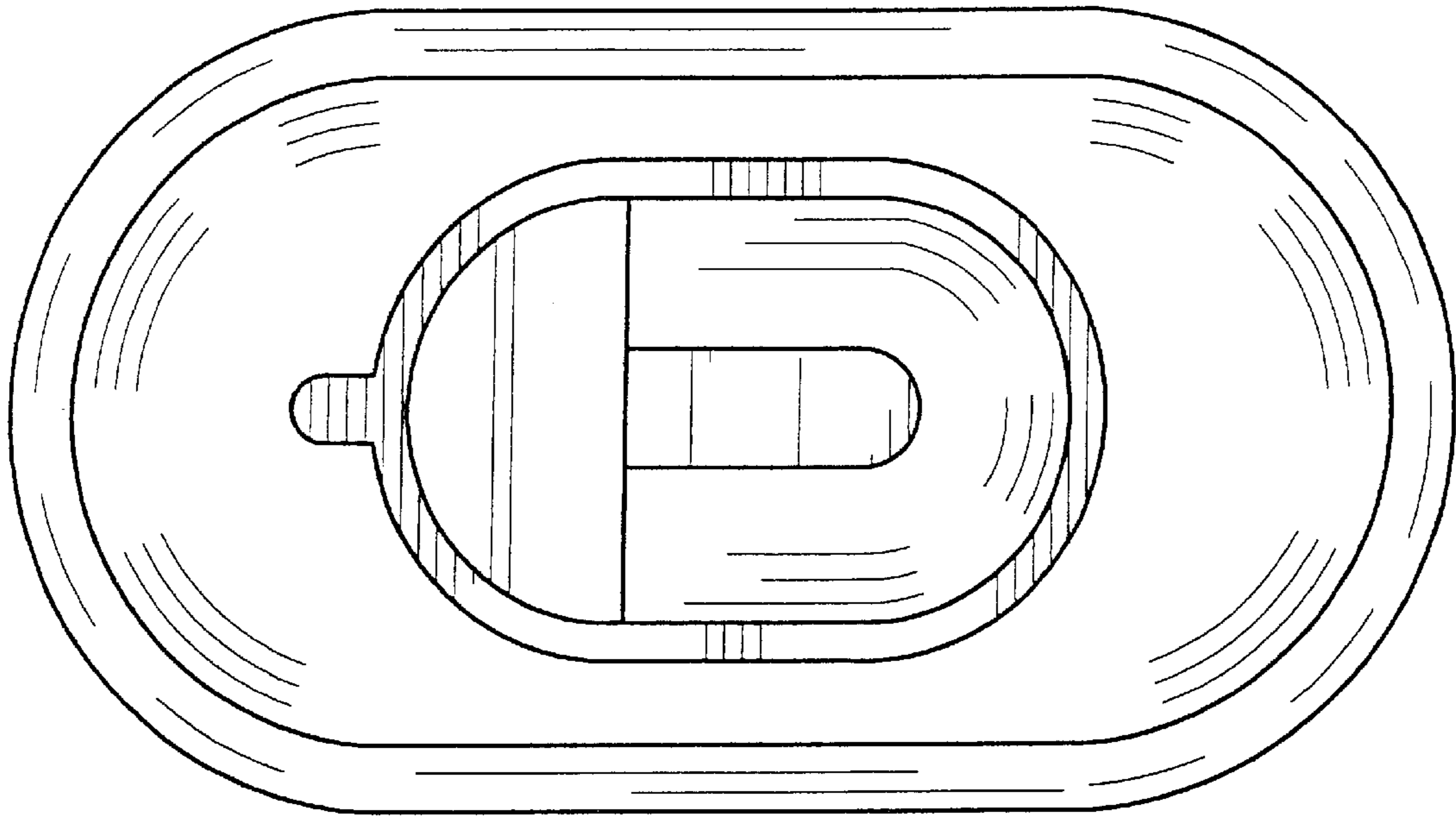


FIG. 2

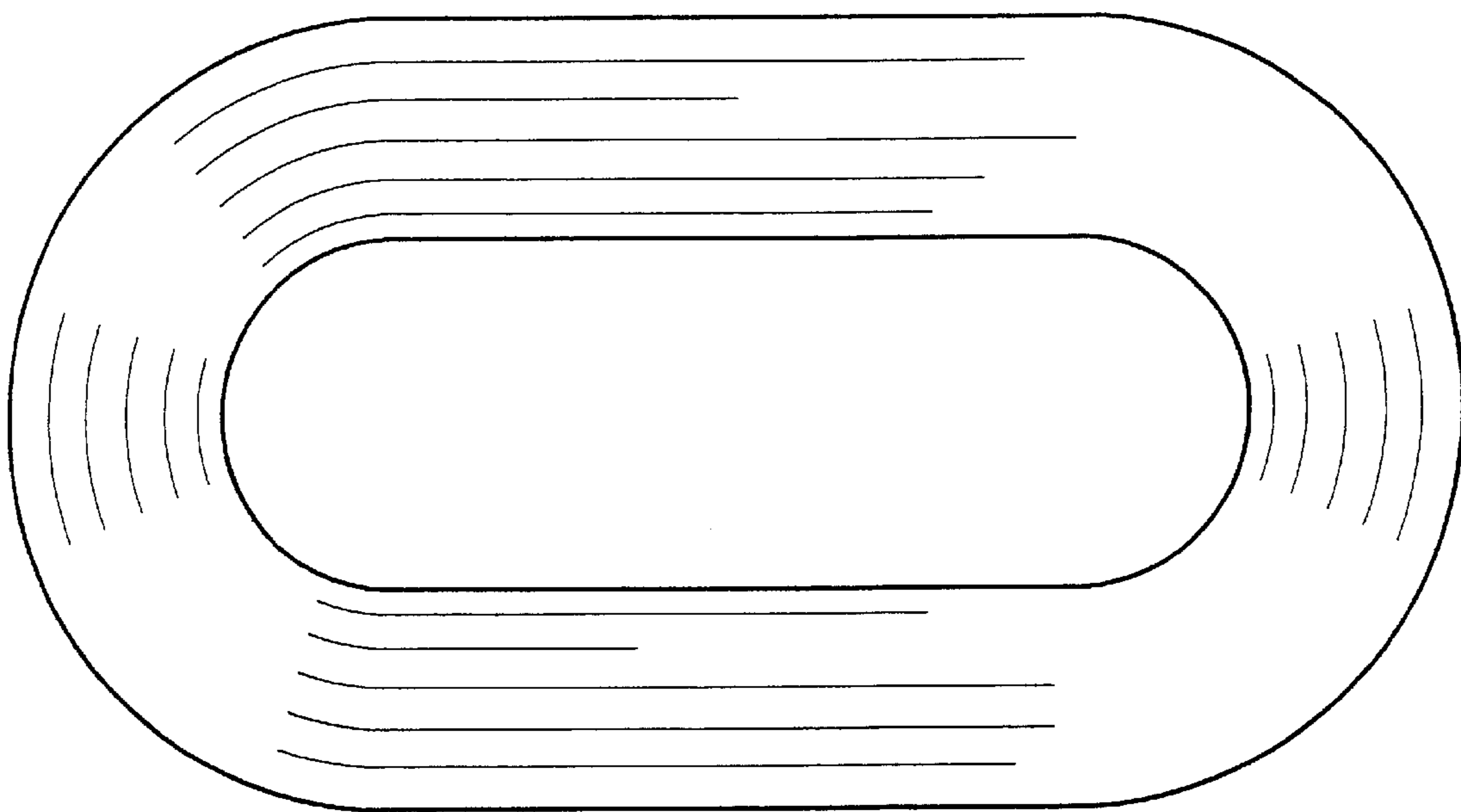


FIG. 3

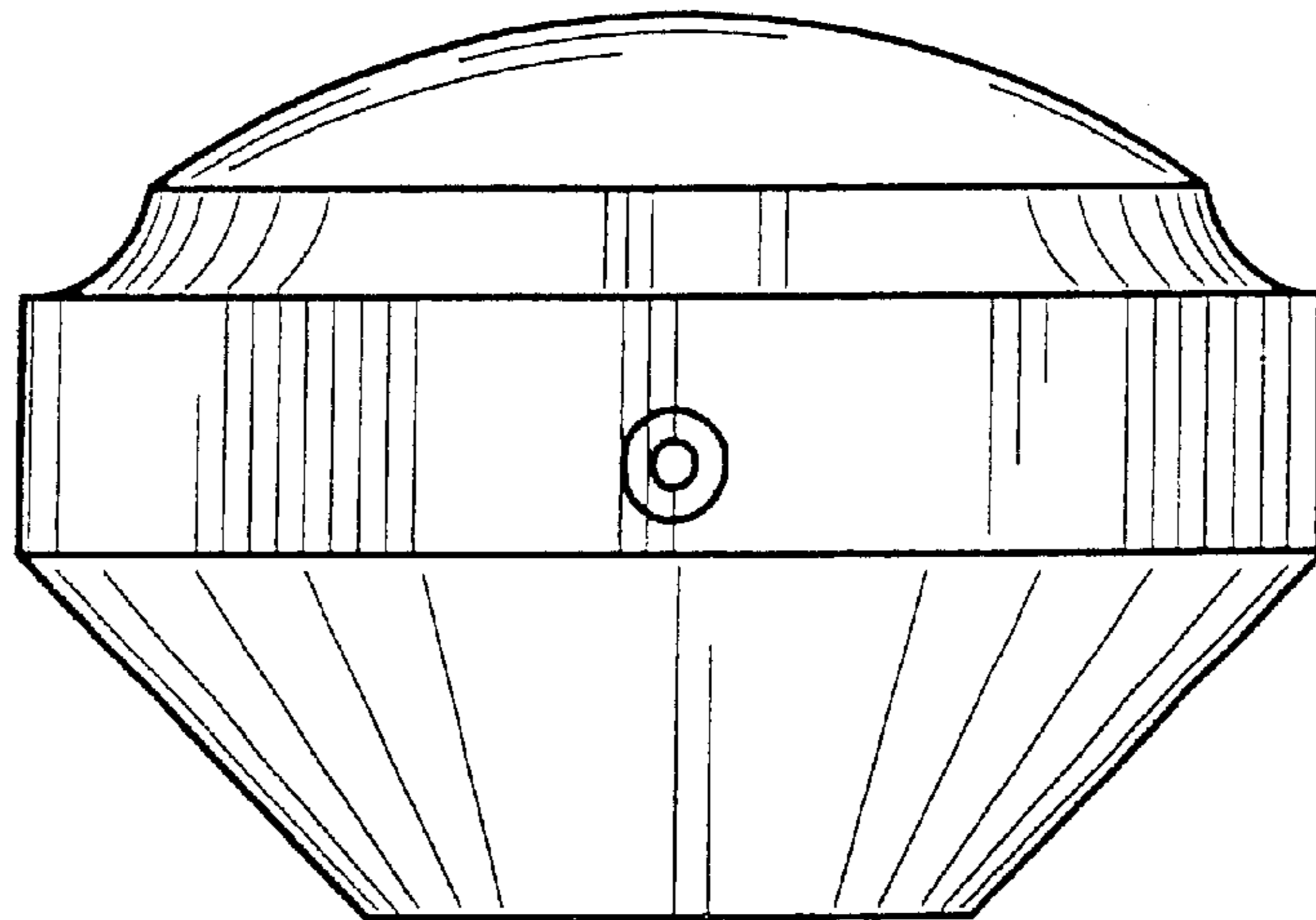


FIG. 4

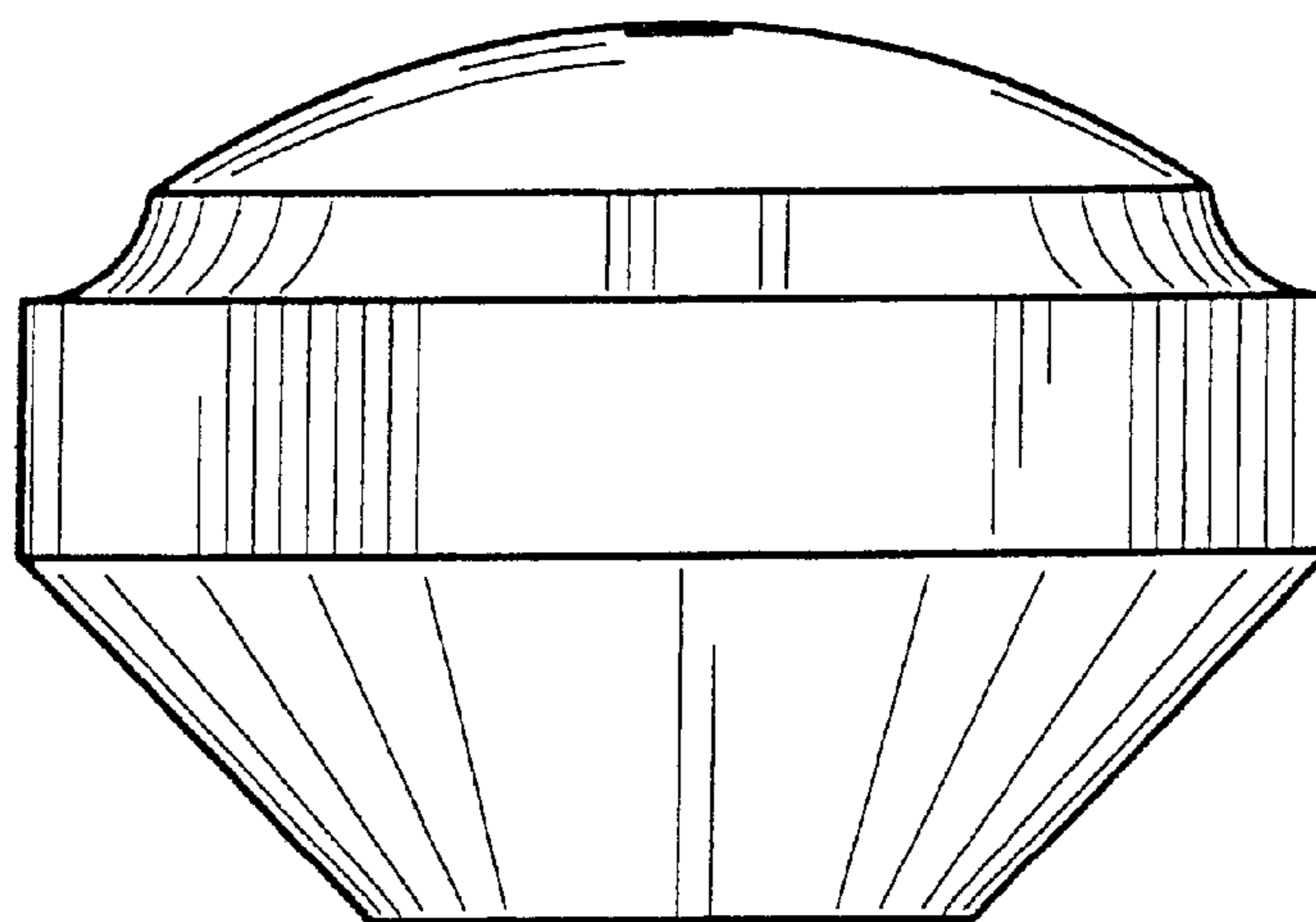


FIG. 5

