

US00D527657S

(12) **United States Design Patent**
Wilcox et al.

(10) **Patent No.:** **US D527,657 S**

(45) **Date of Patent:** **** Sep. 5, 2006**

(54) **WATCH**

(75) Inventors: **Robert M. Wilcox**, Saratoga, CA (US);
Victor Y. Cheung, San Jose, CA (US);
Ian C. Fry, Danville, CA (US);
Richard N. Hibbs, Palo Alto, CA (US)

(73) Assignee: **Rior Technologies, Inc.**, Milpitas, CA (US)

(**) Term: **14 Years**

(21) Appl. No.: **29/233,068**

(22) Filed: **Jun. 27, 2005**

(51) **LOC (8) Cl.** **10-02**

(52) **U.S. Cl.** **D10/38**

(58) **Field of Classification Search** D10/30-39;
368/276, 277, 281, 282, 285, 295, 286, 283,
368/239-242, 82-84, 28-30, 223, 228, 232,
368/80, 67, 21, 243, 244, 249, 250

See application file for complete search history.

(56) **References Cited**

U.S. PATENT DOCUMENTS

D239,512 S * 4/1976 Tsukui D10/38
4,051,662 A * 10/1977 O'Connor et al. 368/29
4,180,969 A * 1/1980 Naito 368/21
D261,112 S * 10/1981 Fukumura D10/38

D263,452 S * 3/1982 Wada D10/38
D263,935 S * 4/1982 Suzuki D10/38
D266,229 S * 9/1982 Okaya D10/38
D266,491 S * 10/1982 Abe D10/39
4,398,834 A * 8/1983 Wakai 368/223
4,479,722 A * 10/1984 Salah 368/17
D331,021 S * 11/1992 Ishii et al. D10/31
D401,159 S * 11/1998 Sugita et al. D10/30

* cited by examiner

Primary Examiner—Lucy Lieberman

(74) *Attorney, Agent, or Firm*—James F. Hann; Haynes Beffel & Wolfeld LLP

(57) **CLAIM**

The ornamental design for a watch, as shown and described.

DESCRIPTION

The watch is used to tell time.

FIG. 1 is an overall isometric view of a watch showing our new design, a watch band being shown in the figures in dashed lines for environmental purposes only;

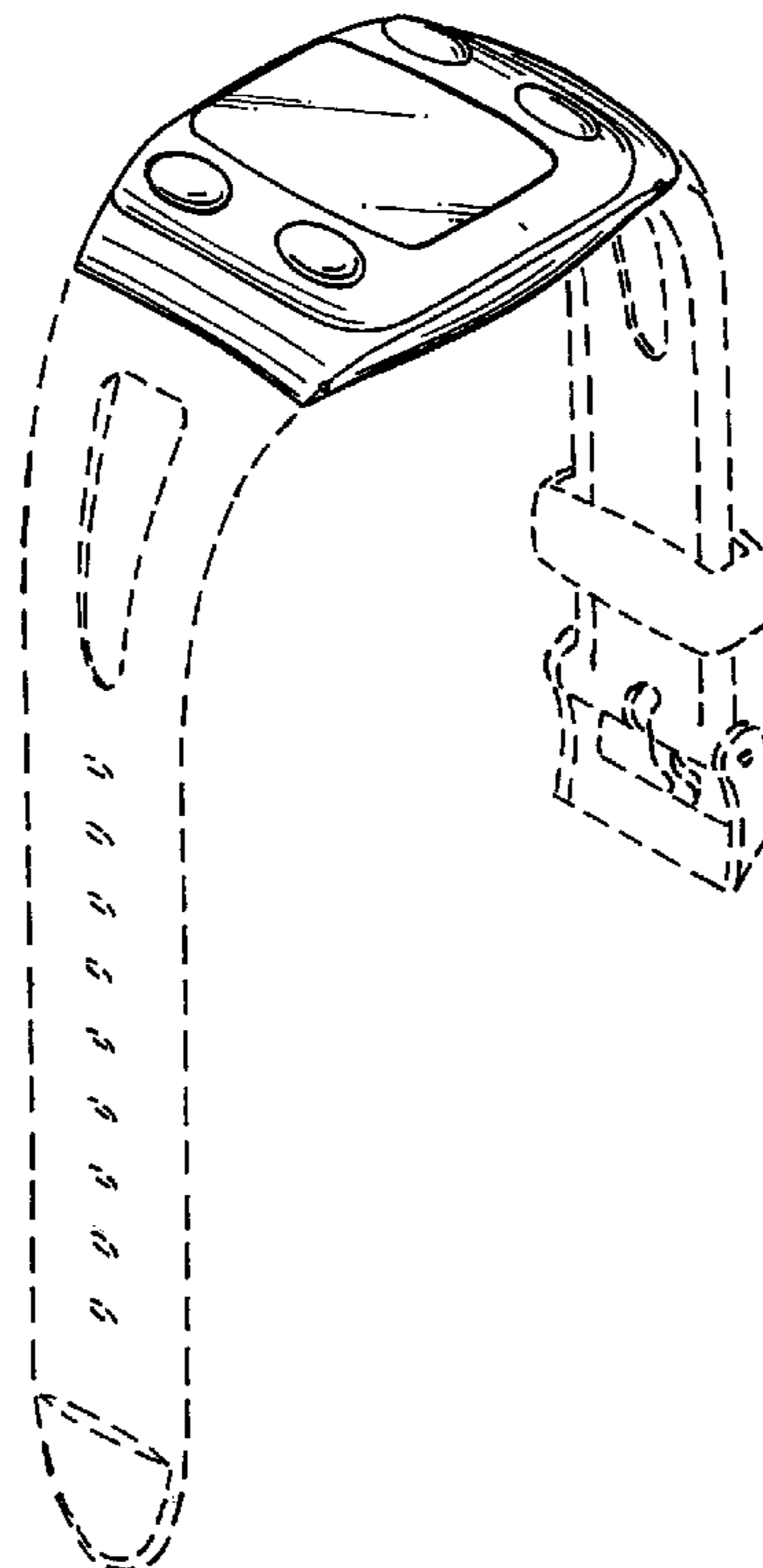
FIG. 2 is a top plan view thereof;

FIG. 3 is a bottom plan view thereof;

FIG. 4 is a right side elevational view thereof, the left side elevational view being identical; and,

FIG. 5 is a front elevational view thereof, the back elevational view being identical.

1 Claim, 2 Drawing Sheets



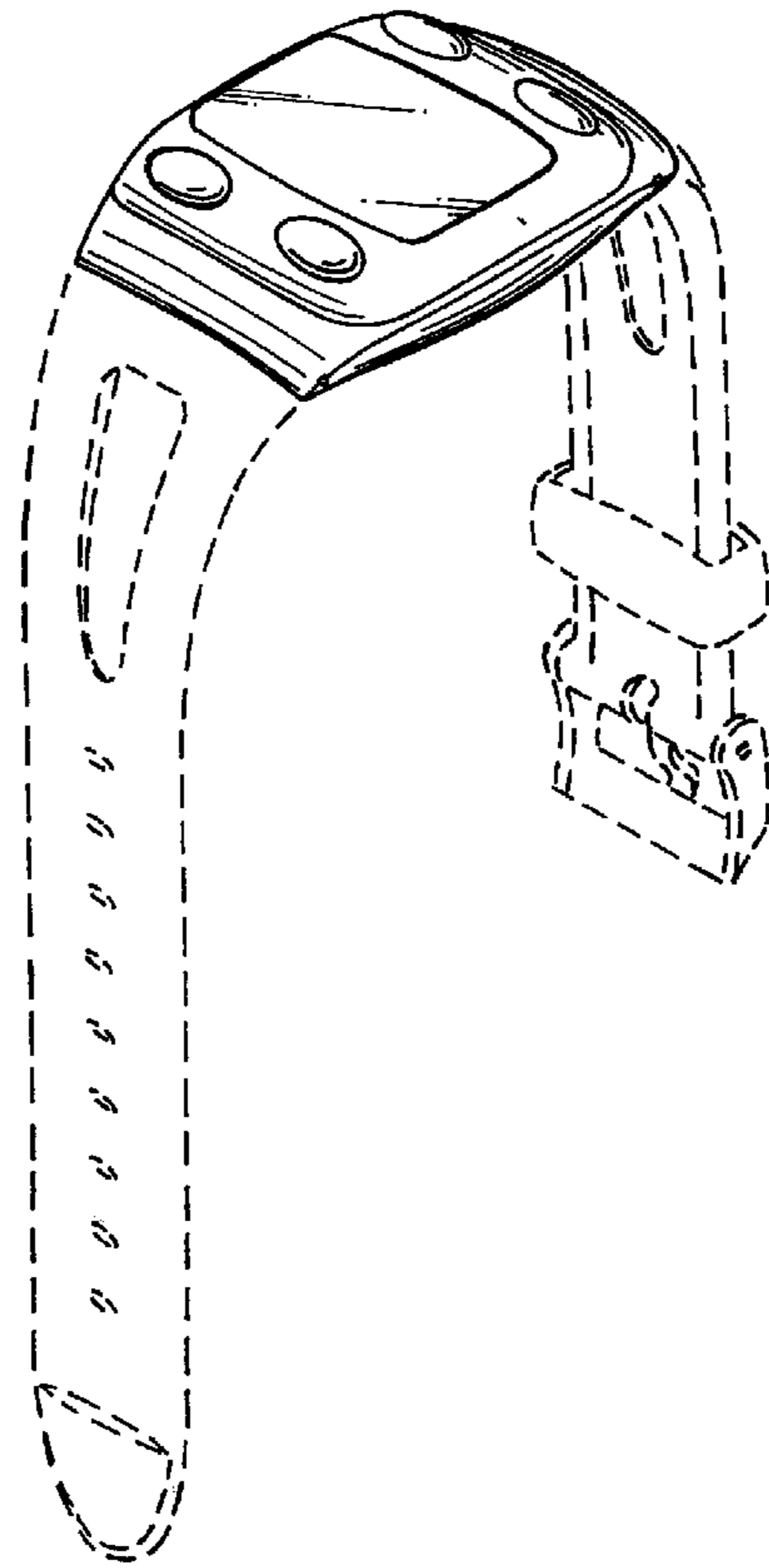


FIG. 1

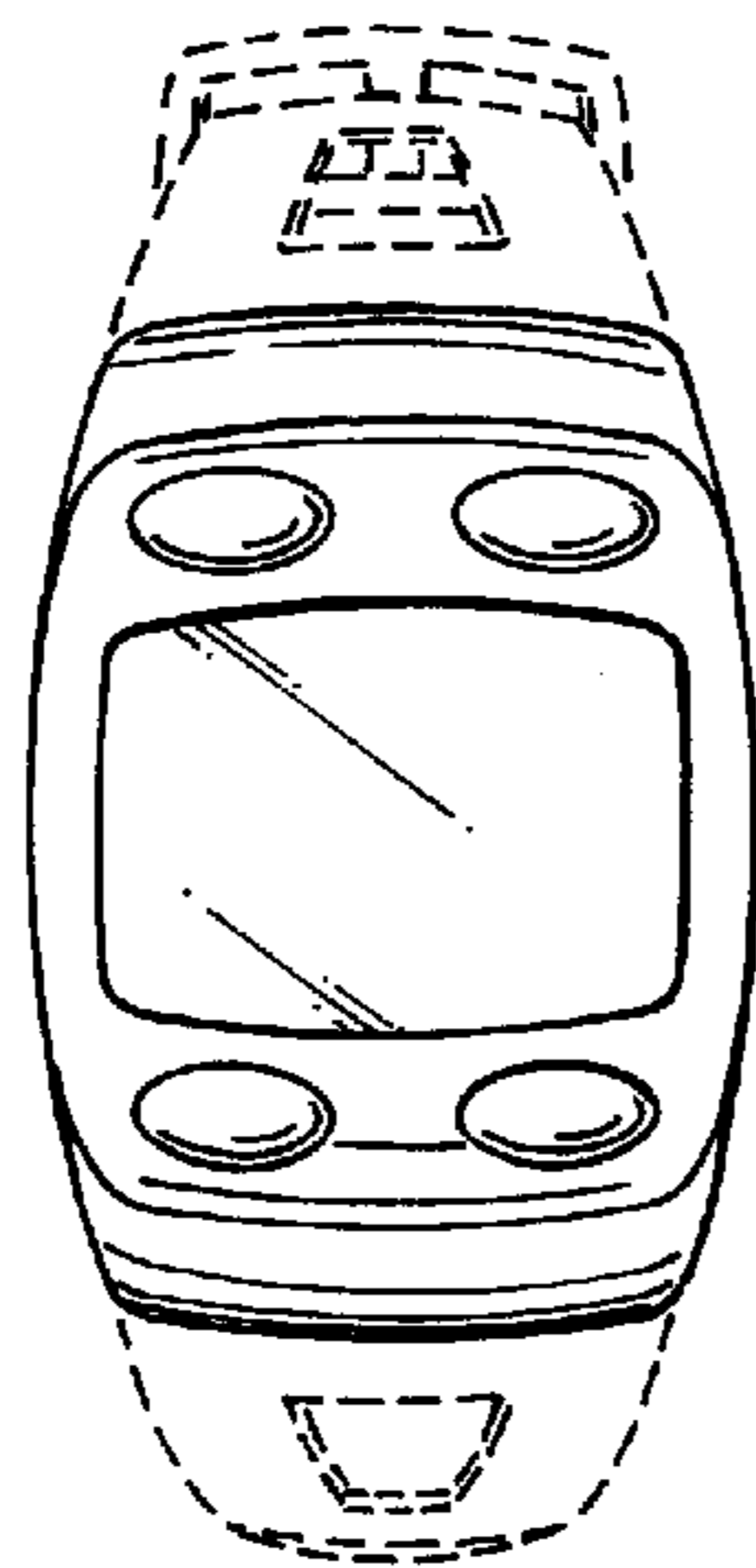


FIG. 2

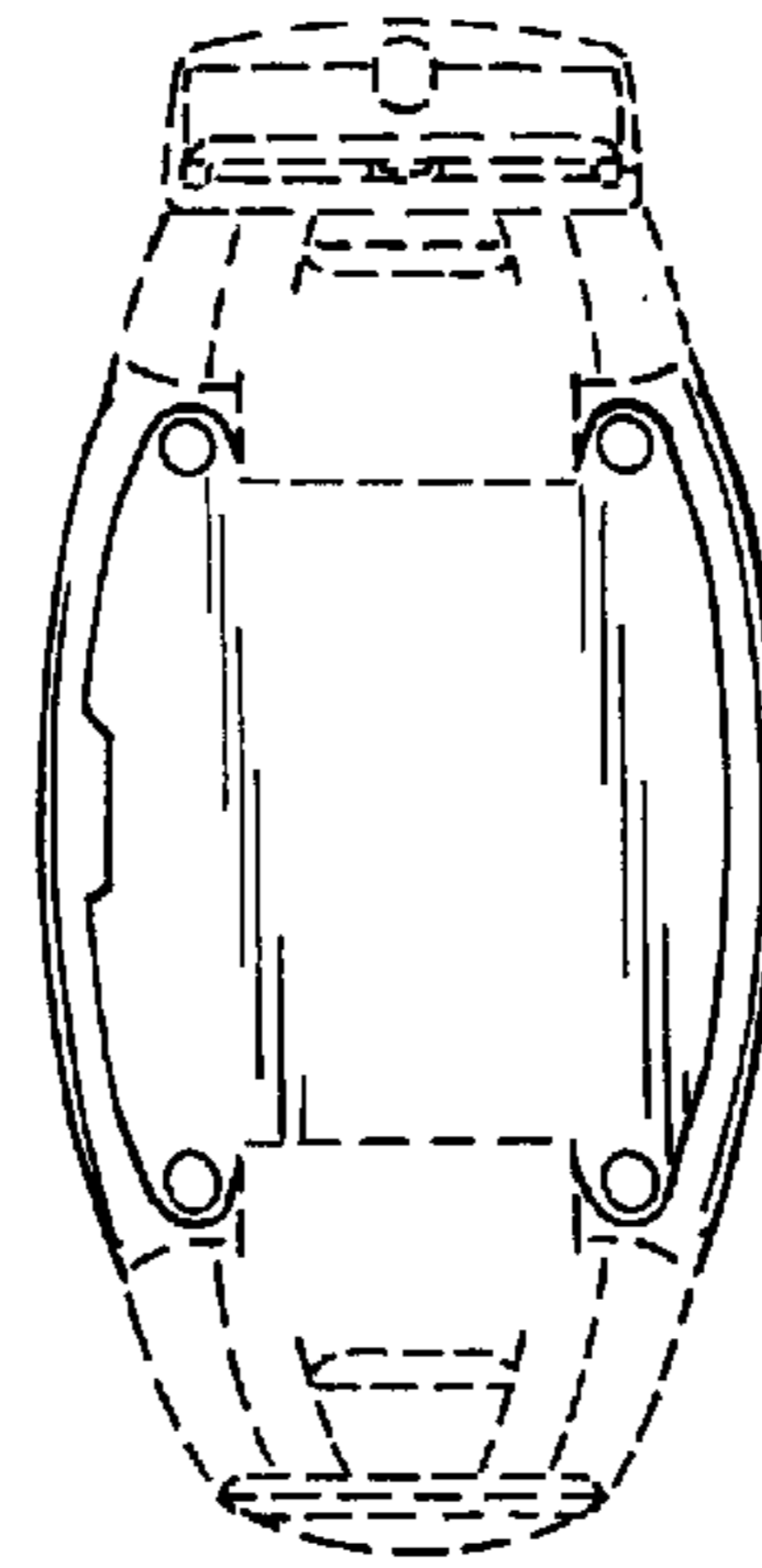


FIG. 3

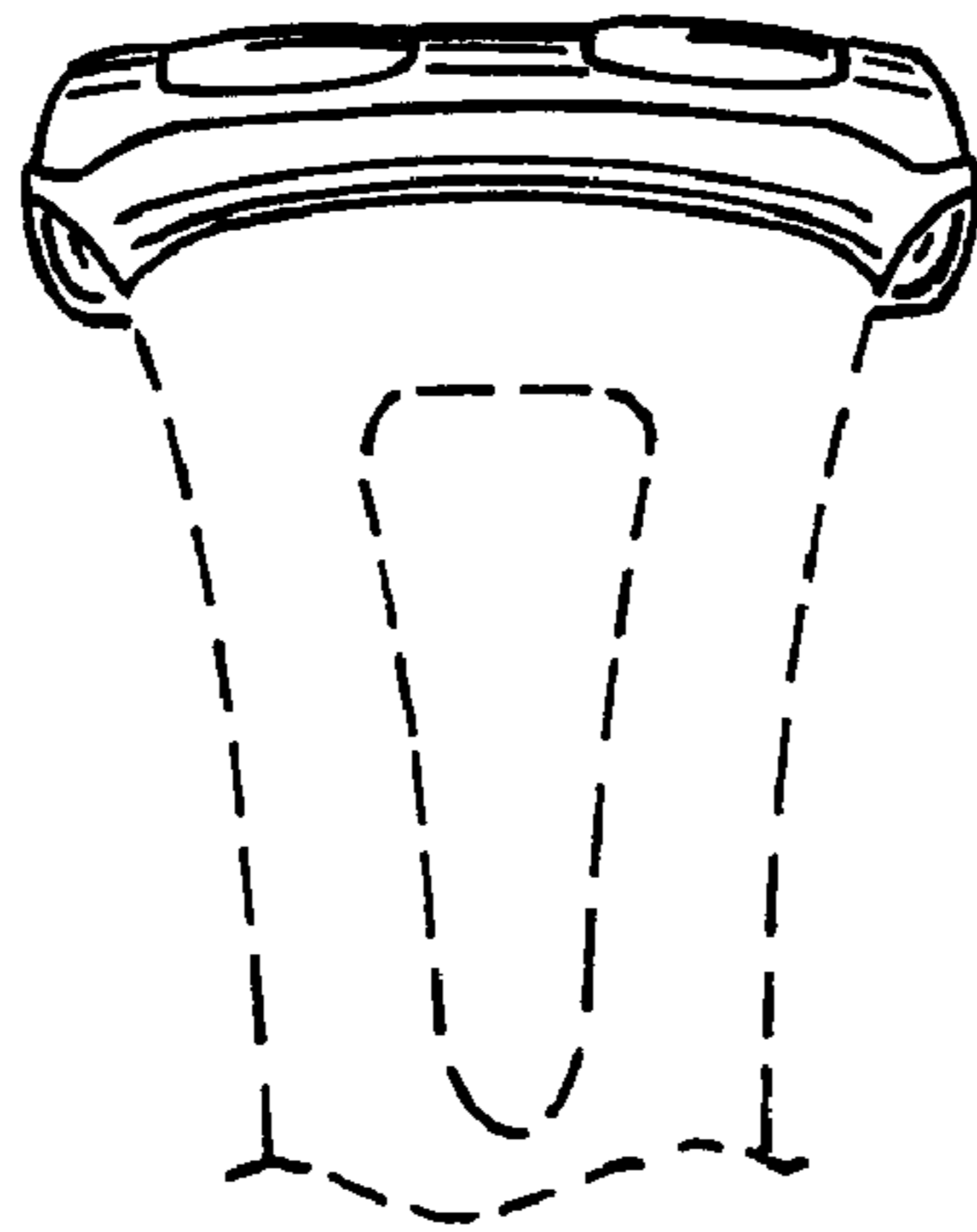


FIG. 4

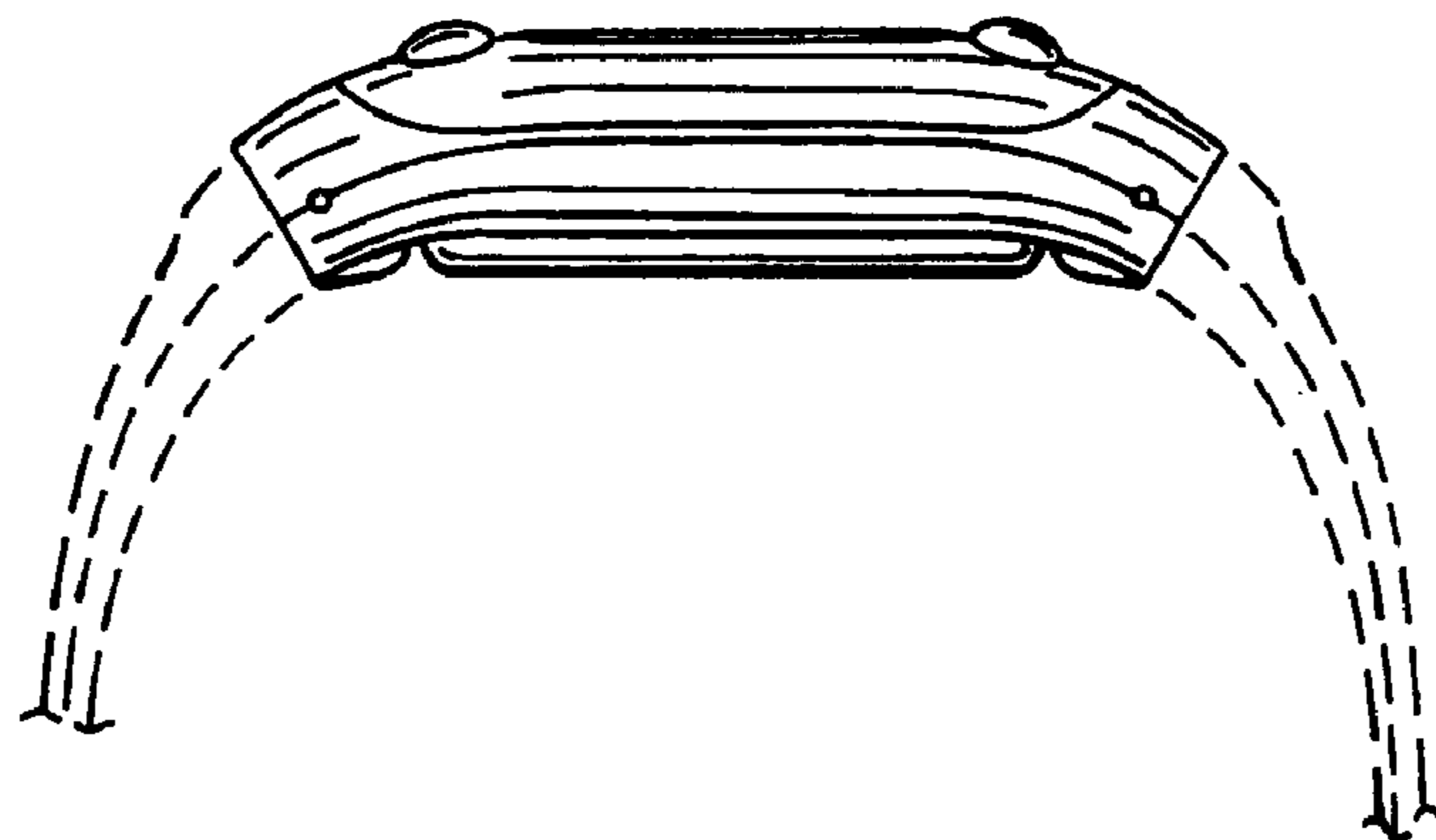


FIG. 5