



US00D527653S

(12) **United States Design Patent**  
**Dias**

(10) **Patent No.:** **US D527,653 S**  
(45) **Date of Patent:** **\*\* Sep. 5, 2006**

(54) **WATCH CASE WITH BRACELET**  
(76) **Inventor:** **M. Carlos Dias**, 19, rue du  
Grand-Bureau, 1227 Geneva (CH)

D413,531 S \* 9/1999 Philippe ..... D10/32  
D485,499 S \* 1/2004 Dias ..... D10/32  
D492,208 S \* 6/2004 Dias ..... D10/32  
D506,686 S \* 6/2005 Jones et al. .... D10/33

(\*\*) **Term:** **14 Years**

**FOREIGN PATENT DOCUMENTS**

(21) **Appl. No.:** **29/191,752**

WO DM/049017 \* 4/1999

(22) **Filed:** **Oct. 14, 2003**

\* cited by examiner

(30) **Foreign Application Priority Data**

*Primary Examiner*—Lucy Lieberman

Apr. 24, 2003 (WO) ..... DMA/006 086

(74) *Attorney, Agent, or Firm*—Strum & Fix LLP

(51) **LOC (8) Cl.** ..... **10-02**

(57) **CLAIM**

(52) **U.S. Cl.** ..... **D10/32; D10/33**

The ornamental design for a watch case with bracelet, as shown and described.

(58) **Field of Classification Search** ..... D10/30-39;  
368/276, 277, 281, 282, 285, 295, 286, 283,  
368/239-242, 82-84, 223, 228, 232, 80;  
D11/2, 3, 4, 5, 30, 61, 81; 63/1.13, 3, 7, 3.1,  
63/5.1, 9; 224/164, 174, 179

**DESCRIPTION**

See application file for complete search history.

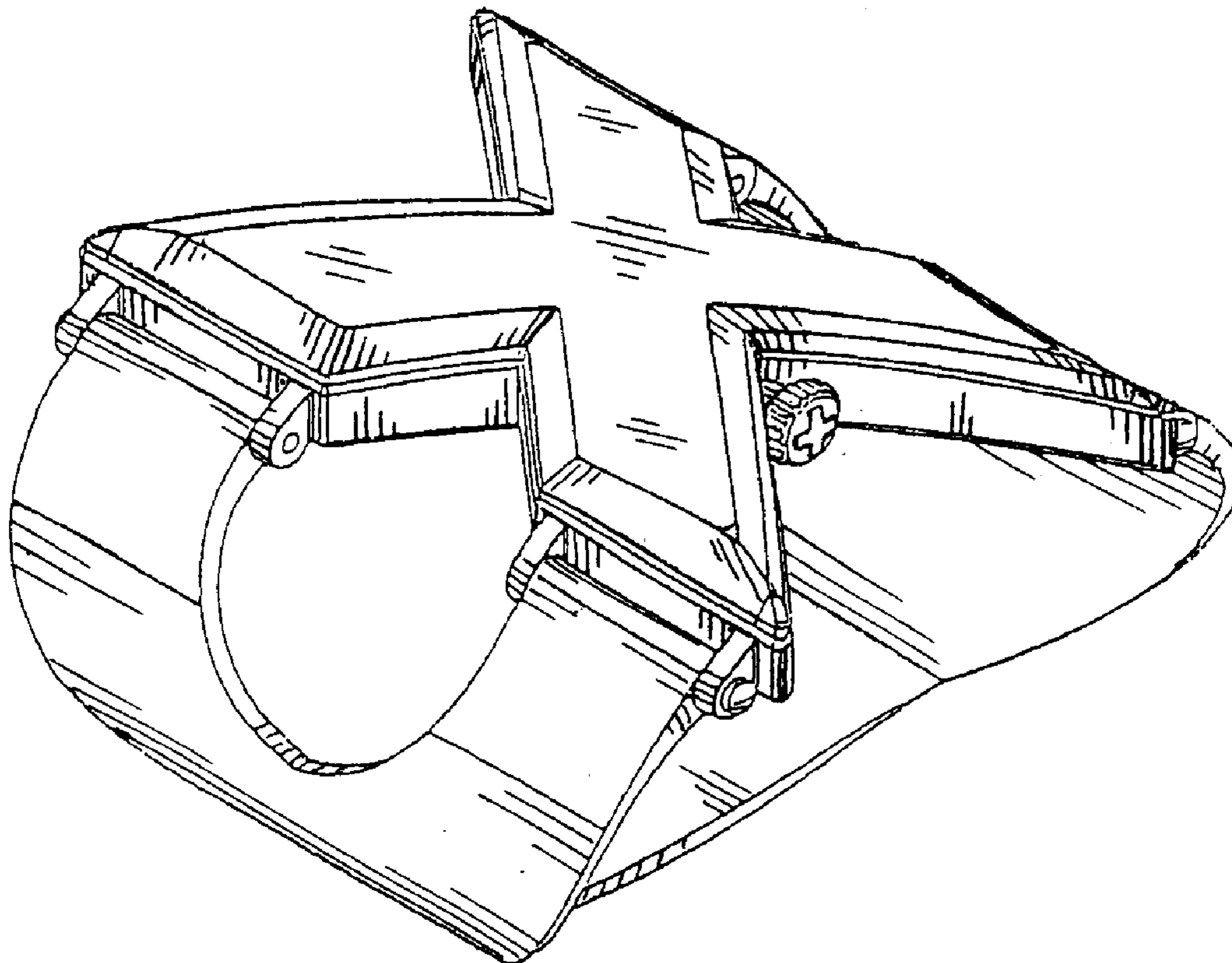
FIG. 1 is a top, front and right side perspective view of a watch case with bracelet showing my new design;  
FIG. 2 is a top, front and left side perspective view thereof;  
FIG. 3 is a top plan view thereof;  
FIG. 4 is a bottom plan view with the bracelet removed to show the bottom of the watch case;  
FIG. 5 is a right side elevation thereof;  
FIG. 6 is a front elevation, the rear elevation being a mirror image thereof; and,  
FIG. 7 is a left side elevation thereof.

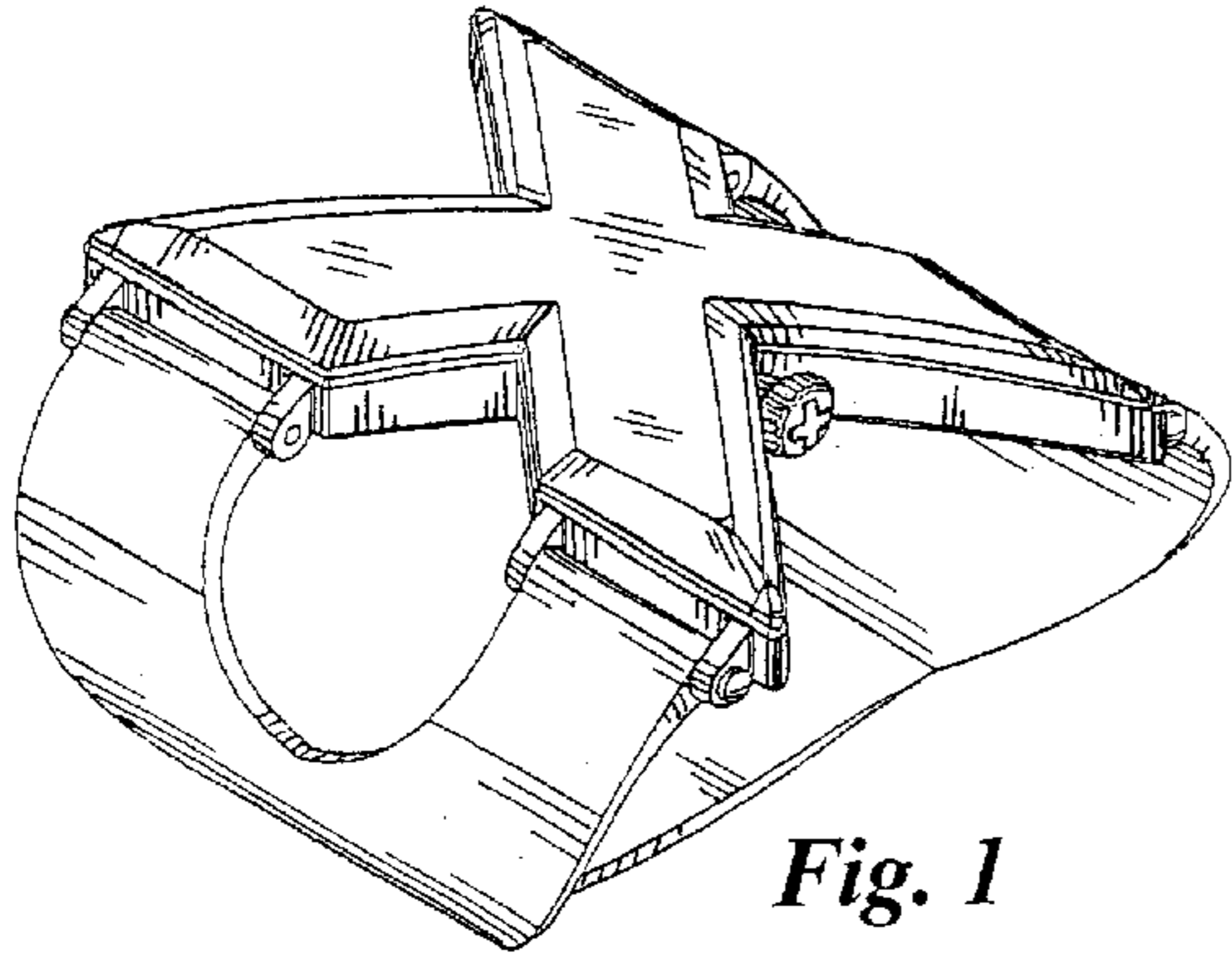
(56) **References Cited**

**U.S. PATENT DOCUMENTS**

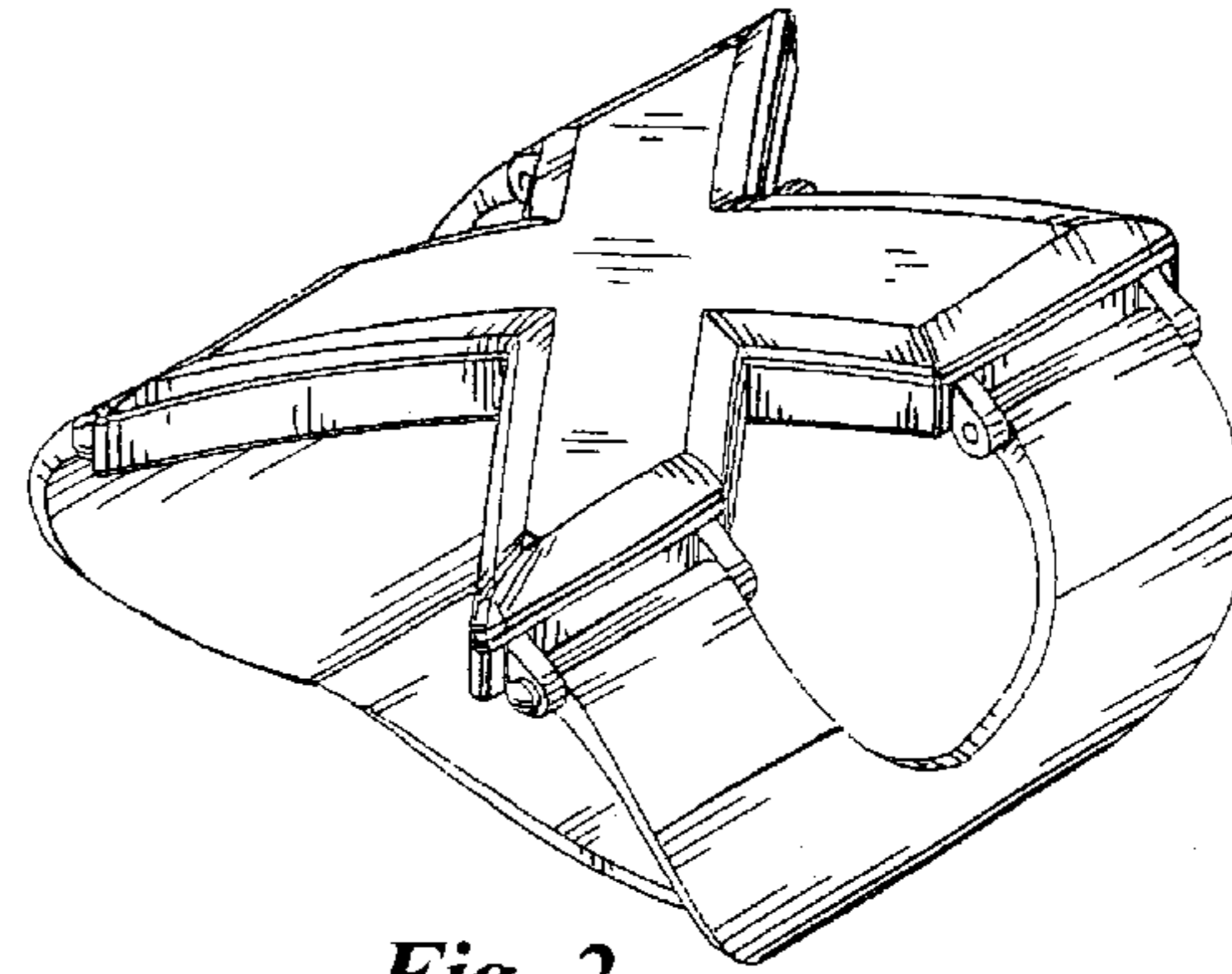
D52,316 S \* 8/1918 Glasman ..... D10/38  
2,182,830 A \* 12/1939 Vedder ..... 368/281  
D140,278 S \* 2/1945 Moses ..... D10/39  
D352,672 S \* 11/1994 Dumas ..... D11/30

**1 Claim, 1 Drawing Sheet**

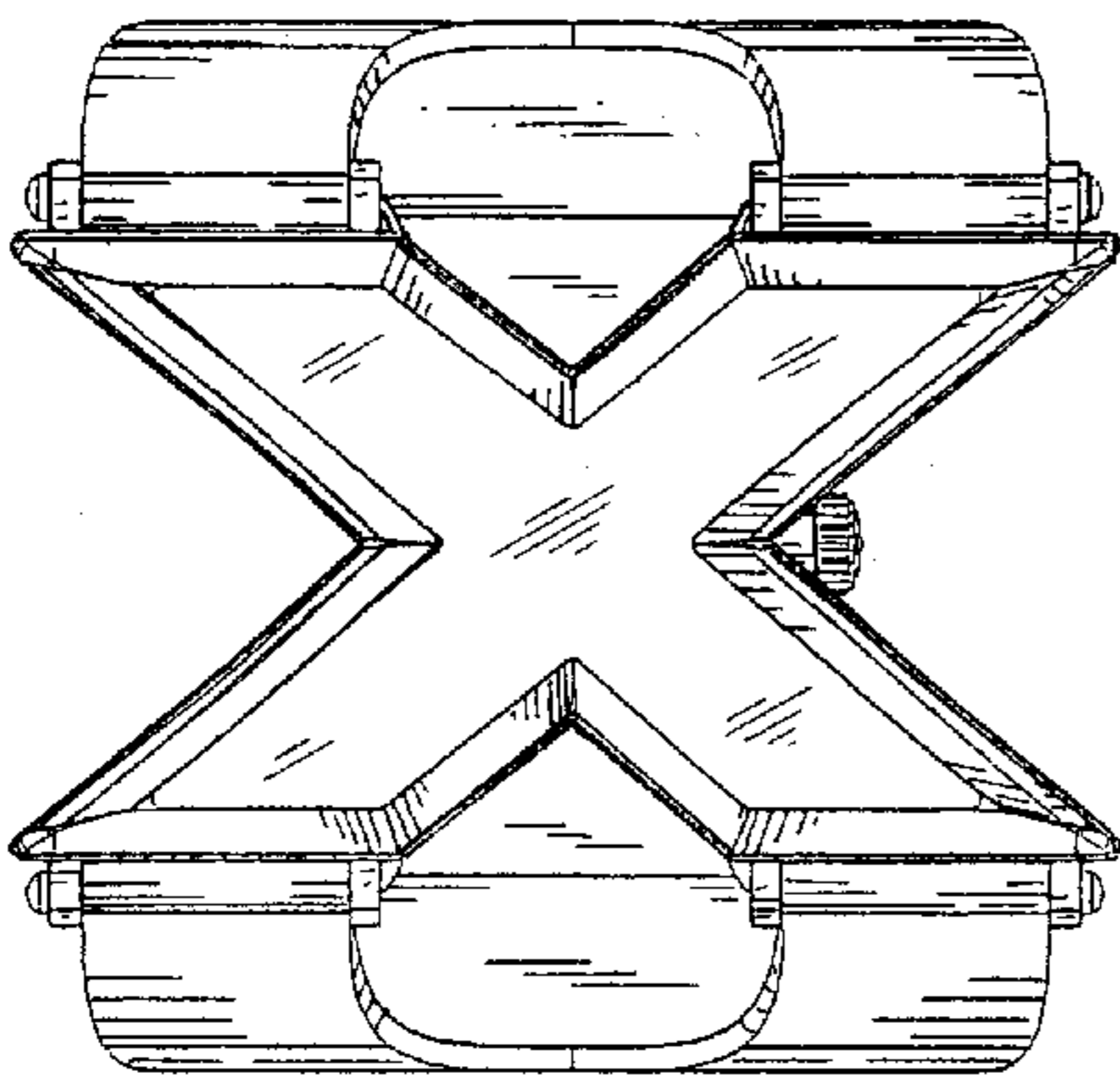




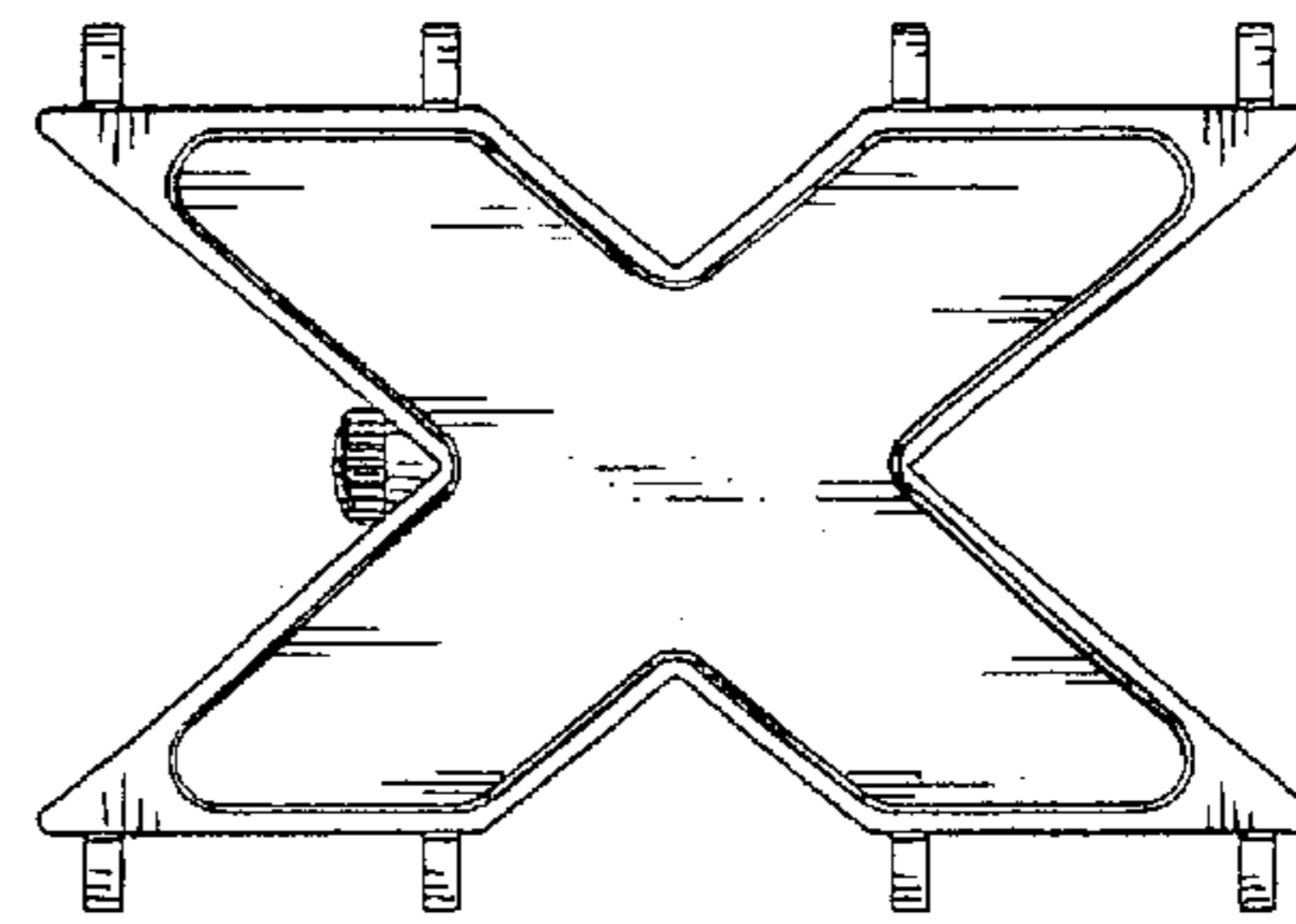
*Fig. 1*



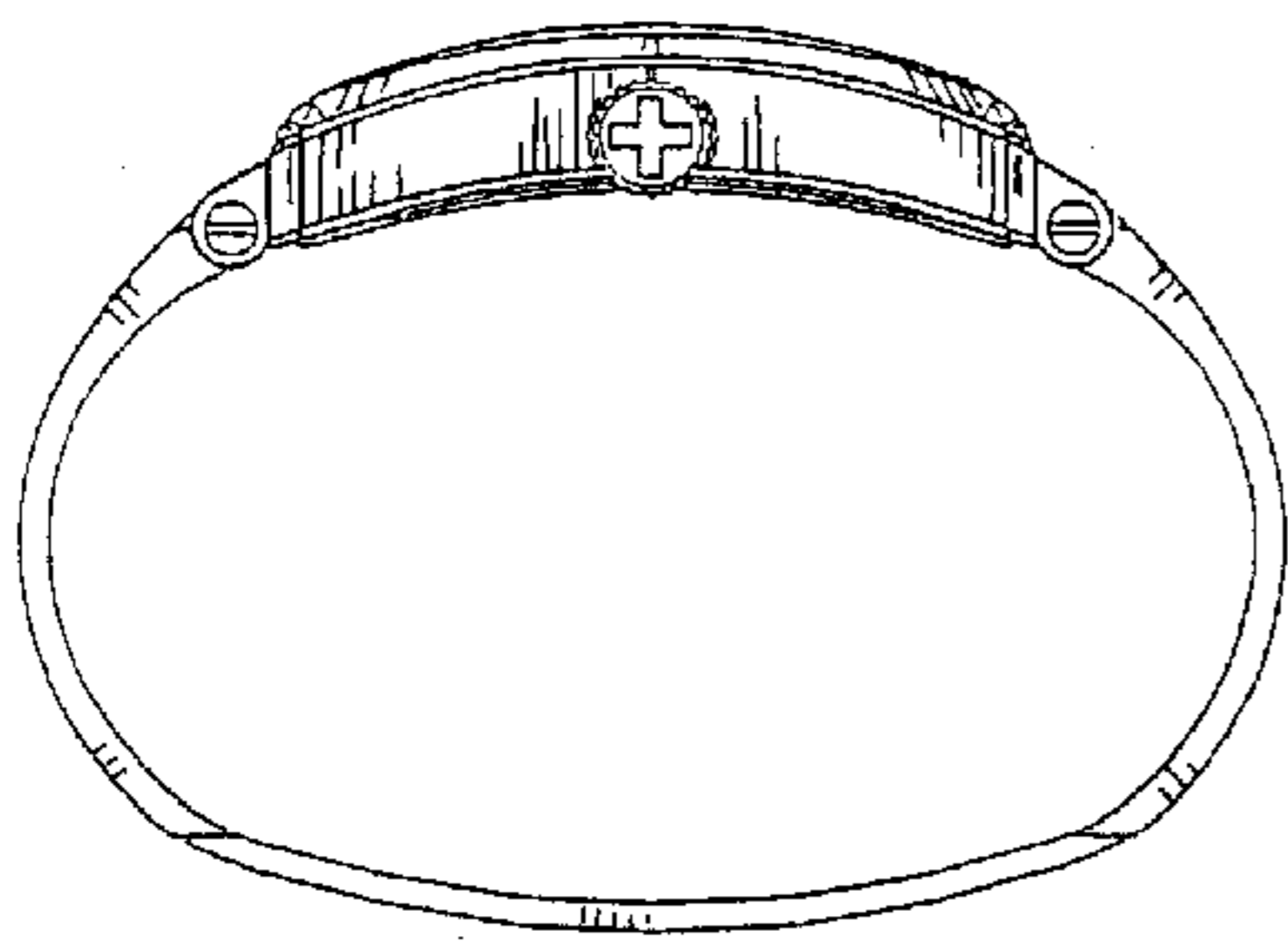
*Fig. 2*



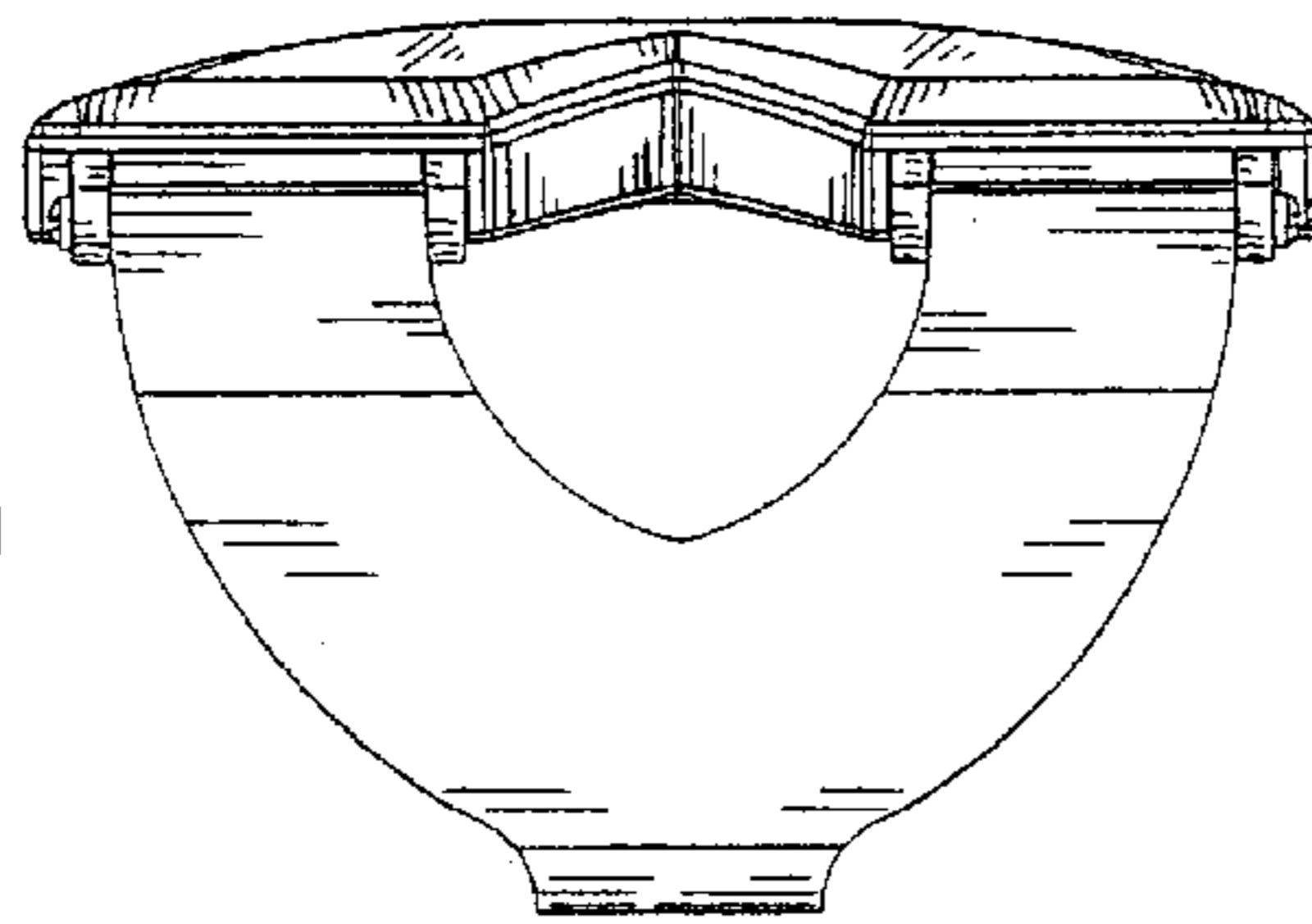
*Fig. 3*



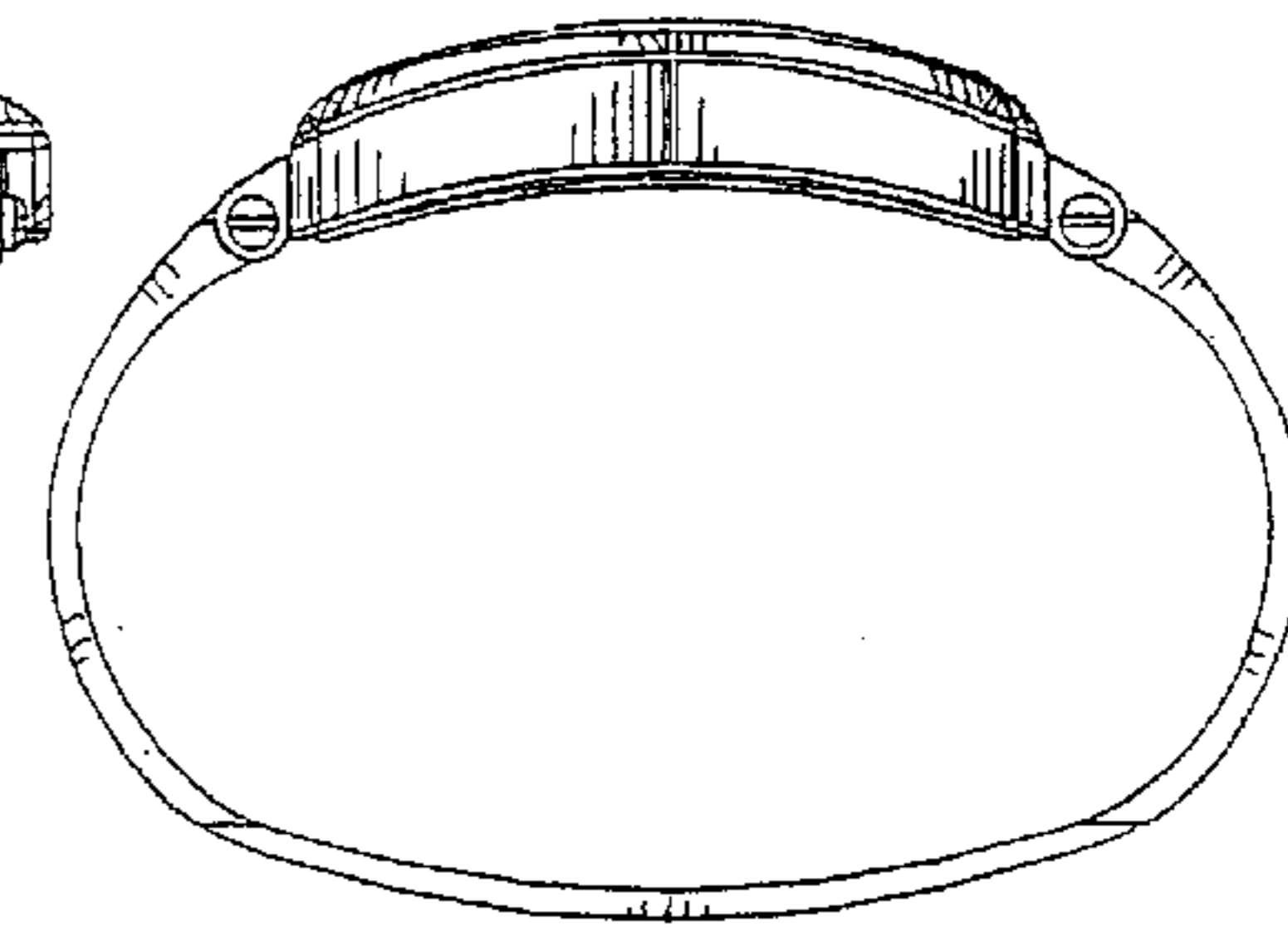
*Fig. 4*



*Fig. 5*



*Fig. 6*



*Fig. 7*