



US00D527651S

(12) **United States Design Patent**
Cheng

(10) **Patent No.:** **US D527,651 S**

(45) **Date of Patent:** **** Sep. 5, 2006**

(54) **CLEANING APPLIANCE**

(76) Inventor: **Yung-Ching Cheng**, No. 180, Sec. 2,
Chengsi St., Tainan City 709 (TW)

(**) Term: **14 Years**

(21) Appl. No.: **29/236,542**

(22) Filed: **Aug. 18, 2005**

(51) **LOC (8) Cl.** **09-03**

(52) **U.S. Cl.** **D9/715**

(58) **Field of Classification Search** D9/715,
D9/718, 730, 731, 733, 414, 415, 418; D3/901;
D6/512, 515, 520, 575; D19/66; D28/4, 7,
D28/9, 73, 76, 77, 99; 206/216, 385, 527,
206/581; 242/422.4
See application file for complete search history.

(56) **References Cited**

U.S. PATENT DOCUMENTS

2,553,389	A	*	5/1951	Steiner et al.	242/422.4
D244,259	S	*	5/1977	Bergstein	D9/418
D269,467	S	*	6/1983	Mann	D28/73
D285,128	S	*	8/1986	Yuen	D28/77

D394,967	S	*	6/1998	Alexander	D6/520
D454,985	S	*	3/2002	Look	D28/77
D462,144	S	*	8/2002	Gaydon	D28/76
D495,825	S	*	9/2004	Guay	D28/4
D504,192	S	*	4/2005	Guay	D28/4

* cited by examiner

Primary Examiner—Nanda Bondade

Assistant Examiner—Shanda C. Hill

(74) *Attorney, Agent, or Firm*—Rosenberg, Klein & Lee

(57) **CLAIM**

The ornamental design for a cleaning appliance, as shown and described.

DESCRIPTION

FIG. 1 is a perspective view of a cleaning appliance showing my new design;

FIG. 2 is a front elevational view thereof;

FIG. 3 is a rear elevational view thereof;

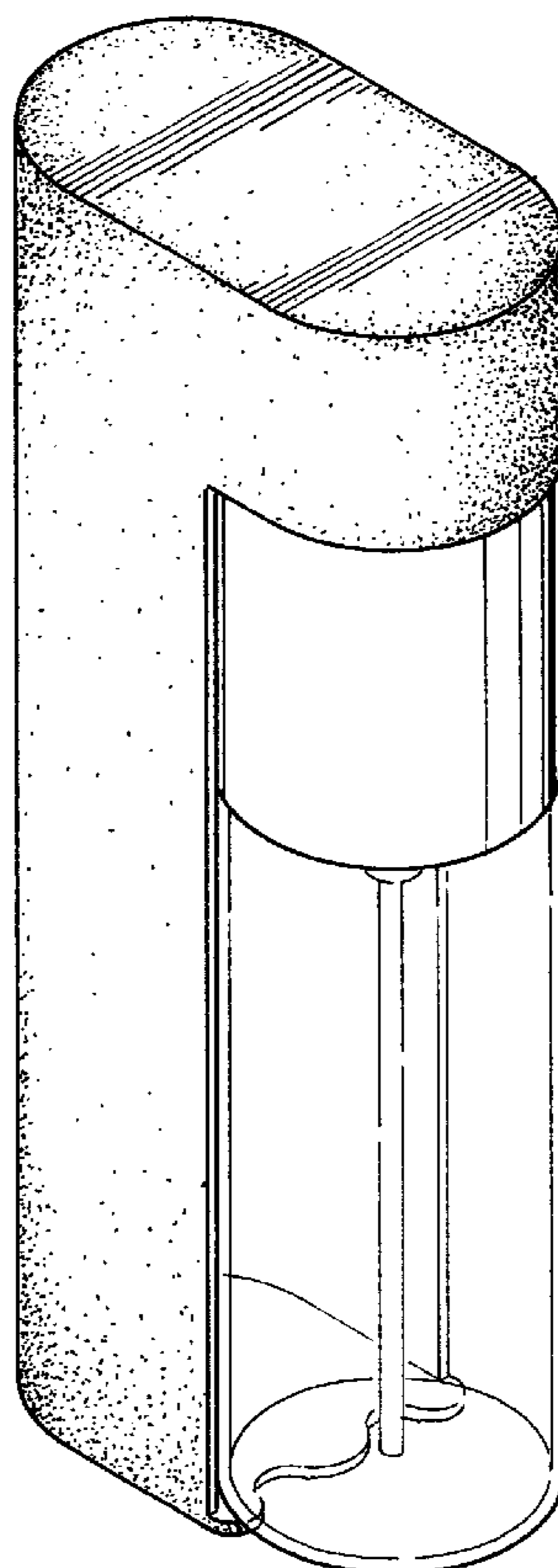
FIG. 4 is a left side elevational view thereof;

FIG. 5 is a right side elevational view thereof;

FIG. 6 is a top plan view thereof; and,

FIG. 7 is a bottom plan view thereof.

1 Claim, 4 Drawing Sheets



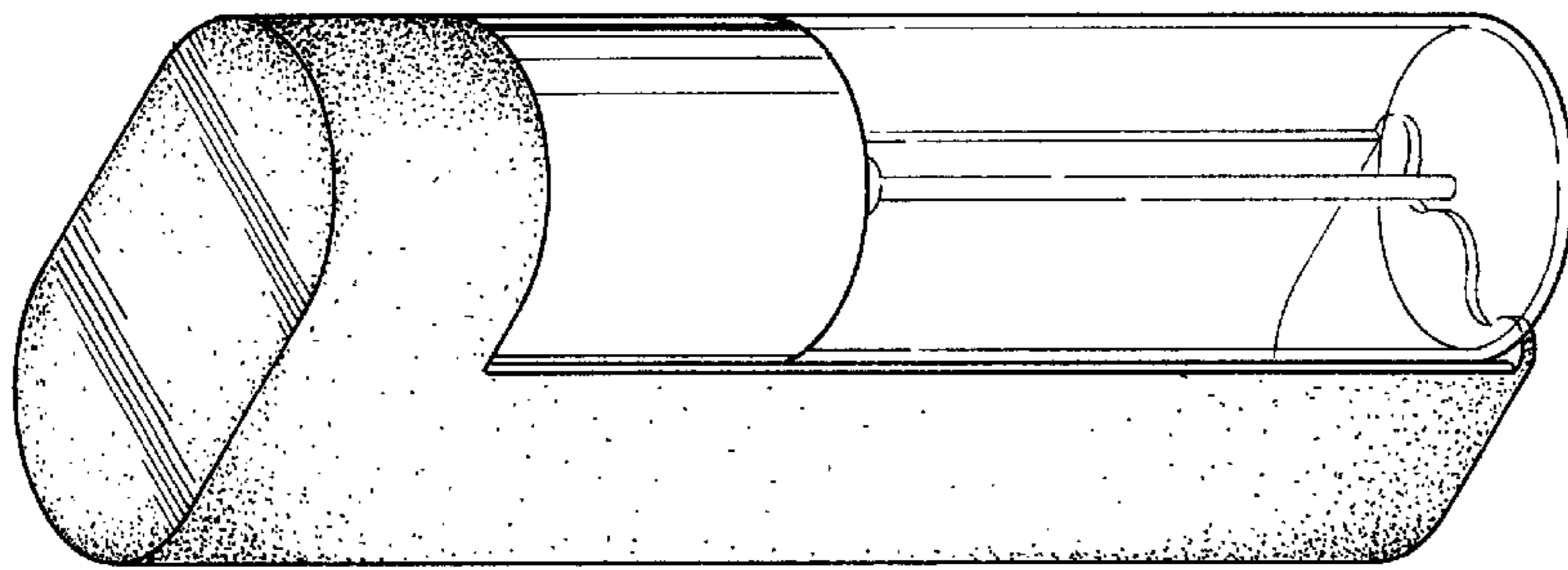


FIG. 1



FIG. 3

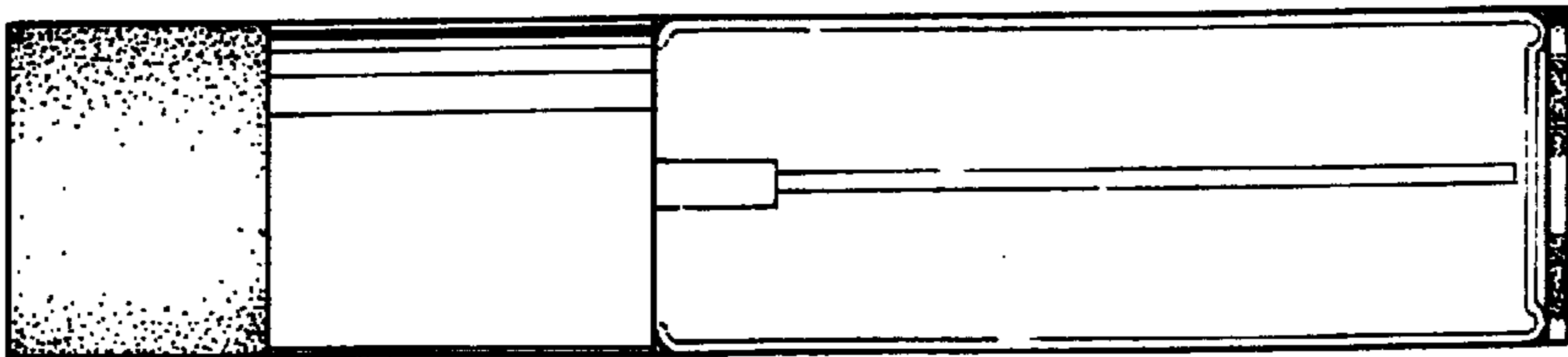


FIG. 2

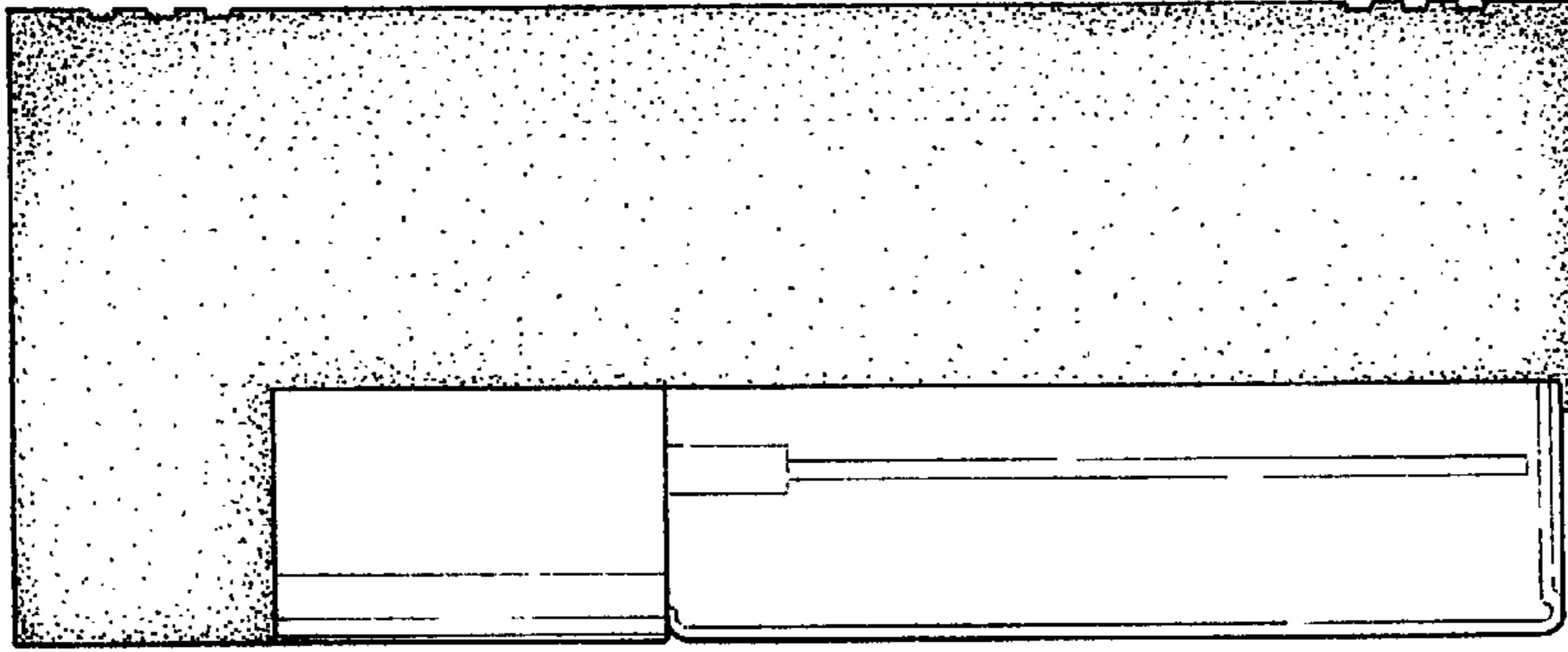


FIG. 5

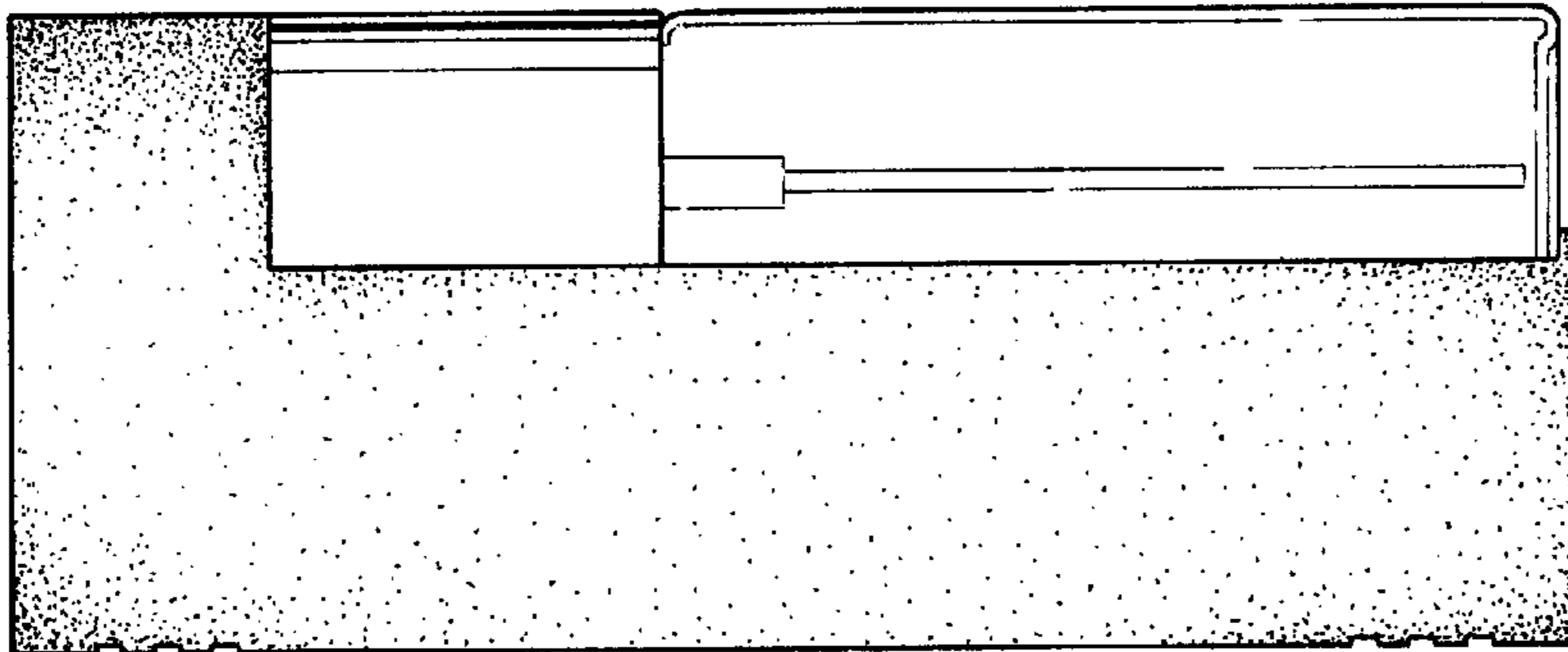


FIG. 4

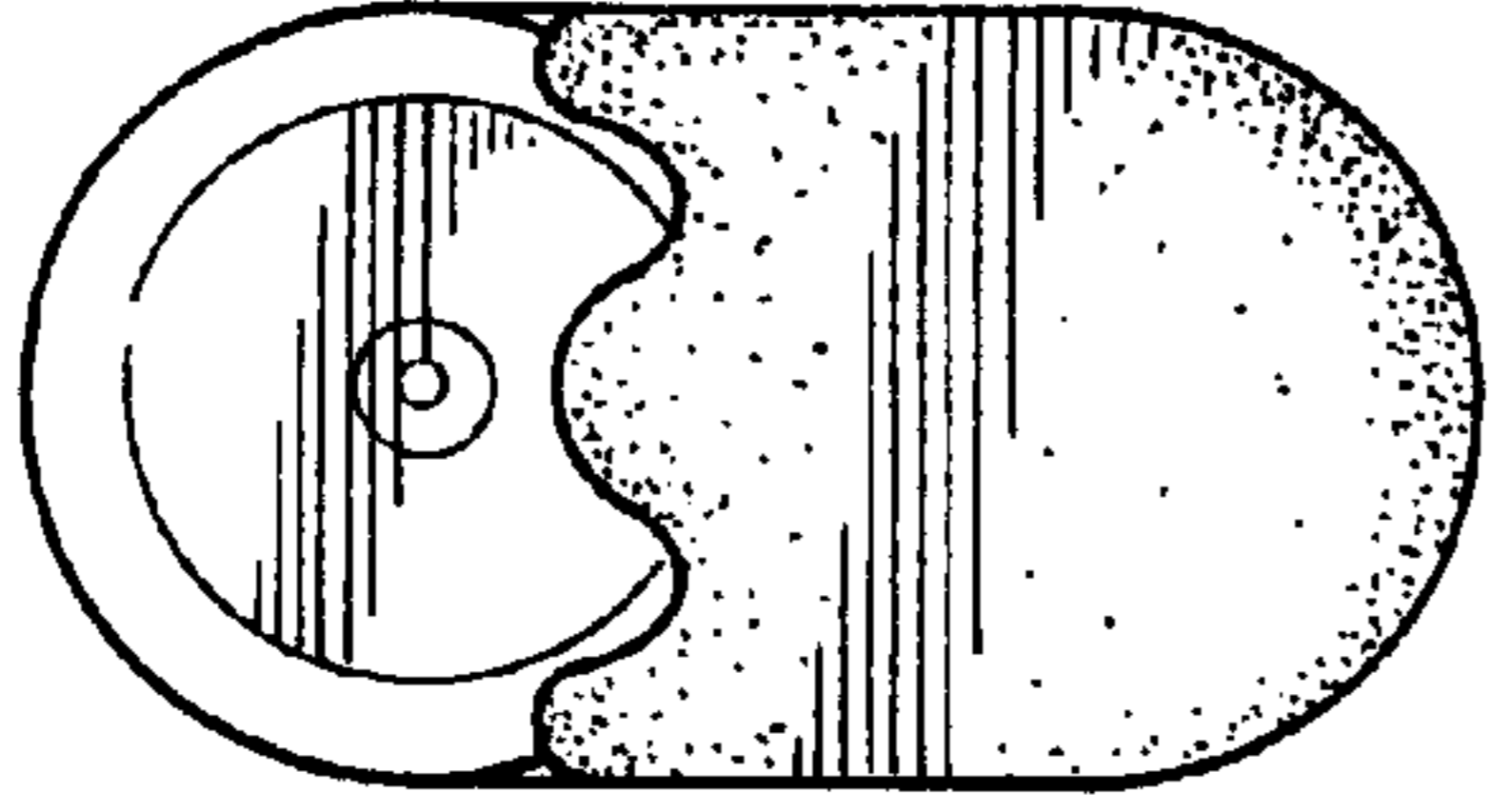


FIG. 6



FIG. 7