



US00D527648S

(12) **United States Design Patent**
Darr et al.

(10) **Patent No.: US D527,648 S**

(45) **Date of Patent: ** Sep. 5, 2006**

(54) **CONTAINER**

(75) Inventors: **Richard C. Darr**, Medina, OH (US);
James J. Miller, Barberton, OH (US);
James C. Dorn, Norton, OH (US);
Richard A. Lovelace, Jr., Akron, OH (US)

(73) Assignee: **Plastipak Packaging, Inc.**, Plymouth, MI (US)

(**) Term: **14 Years**

(21) Appl. No.: **29/191,534**

(22) Filed: **Oct. 9, 2003**

(51) **LOC (8) Cl.** **09-01**

(52) **U.S. Cl.** **D9/566; D9/567; D9/570;**
D9/571; D9/575

(58) **Field of Classification Search** **D9/500,**
D9/502, 516, 523, 526, 528, 530-531, 534,
D9/538-543, 549-554, 557-560, 562-567,
D9/569-575, 636, 643, 645, 655, 657-658,
D9/661, 664, 684, 738-747; 215/10, 381-384,
215/396, 398; 220/23.4

See application file for complete search history.

(56) **References Cited**

U.S. PATENT DOCUMENTS

D104,179 S	*	4/1937	Berk	D9/550
D244,427 S	*	5/1977	Schieser et al.	D9/550
4,308,955 A	*	1/1982	Schieser et al.	215/383
D264,942 S	*	6/1982	Schieser et al.	D9/563
D280,709 S	*	9/1985	Waring	D9/523 X

D312,398 S	*	11/1990	Neto	D9/570
5,002,199 A	*	3/1991	Frahm	215/383
D324,650 S	*	3/1992	Larson	D9/531
D327,219 S	*	6/1992	Hestehave et al.	D9/530
D400,794 S	*	11/1998	Takeuchi et al.	D9/570
D403,243 S	*	12/1998	Takeuchi et al.	D9/556
D481,318 S	*	10/2003	Iizuka et al.	D9/531
D502,405 S	*	3/2005	Dorn et al.	D9/551
D504,321 S	*	4/2005	Slat et al.	D9/550
6,932,228 B1	*	8/2005	Darr et al.	215/10
D509,145 S	*	9/2005	Dorn et al.	D9/550
D514,947 S	*	2/2006	Darr et al.	D9/550

* cited by examiner

Primary Examiner—Carol Rademaker

(74) *Attorney, Agent, or Firm*—Robert H. Bachman

(57) **CLAIM**

The ornamental design for a container, as shown and described.

DESCRIPTION

FIG. 1 is a perspective view of the container of the present invention showing the top, front, and right side;

FIG. 2 is a perspective view of the container showing the top, rear and left side;

FIG. 3 is a front elevational view thereof;

FIG. 4 is a top plan view thereof;

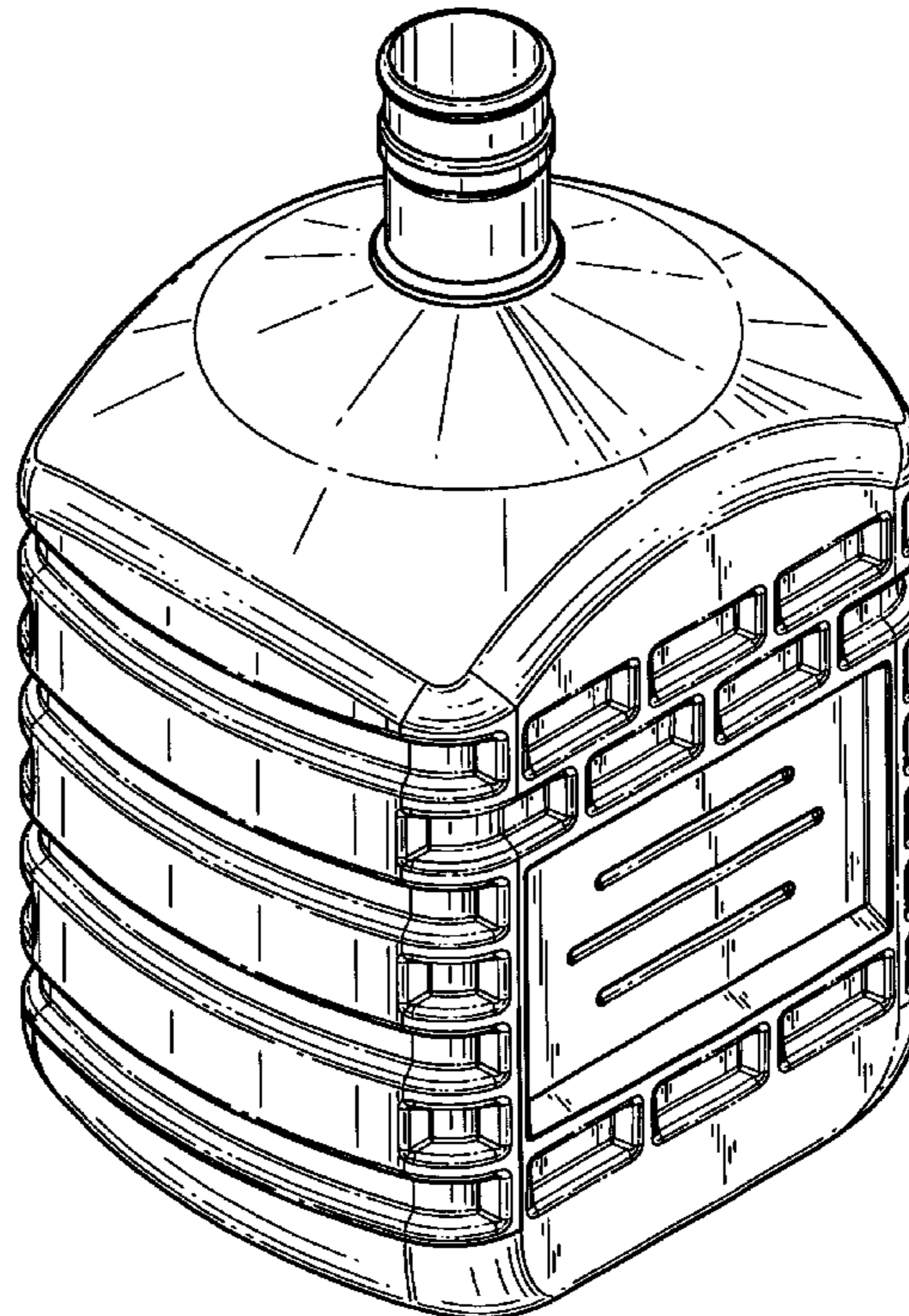
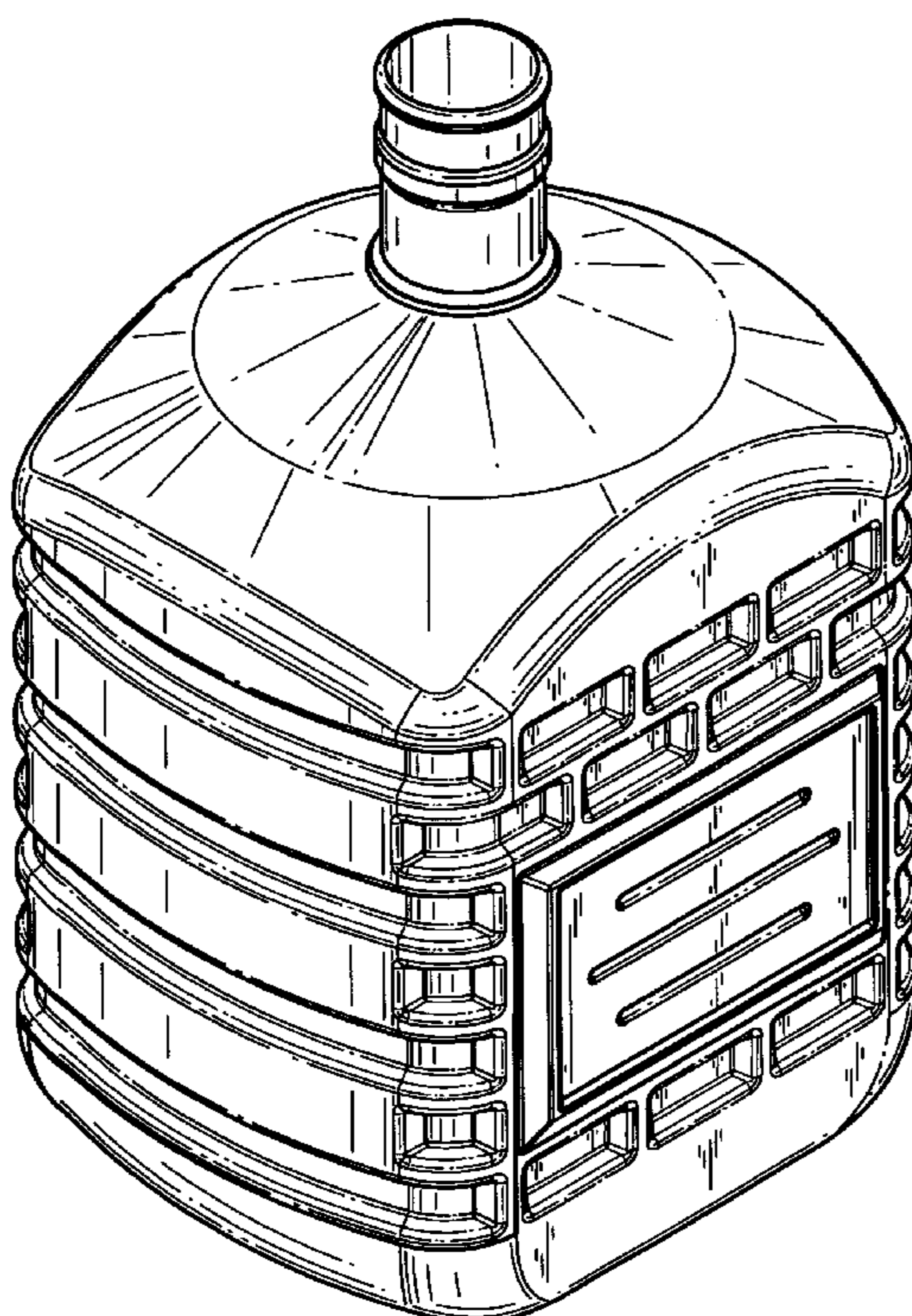
FIG. 5 is a bottom plan view thereof;

FIG. 6 is a right side elevational view thereof; and,

FIG. 7 is a left side elevational view thereof.

The broken lines shown in the drawings are for illustrative purposes only and form no part of the claimed design.

1 Claim, 3 Drawing Sheets



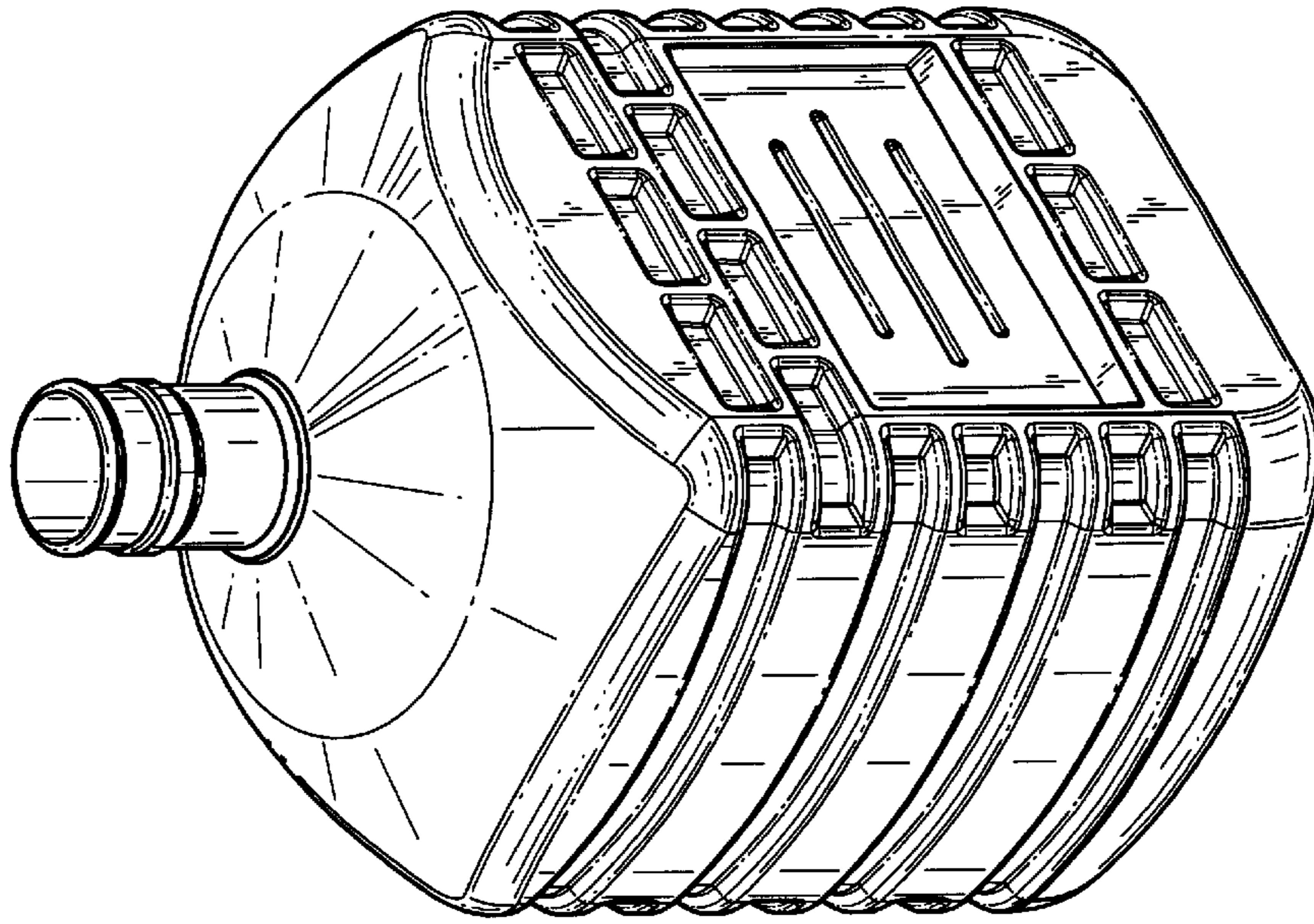


FIG. 2

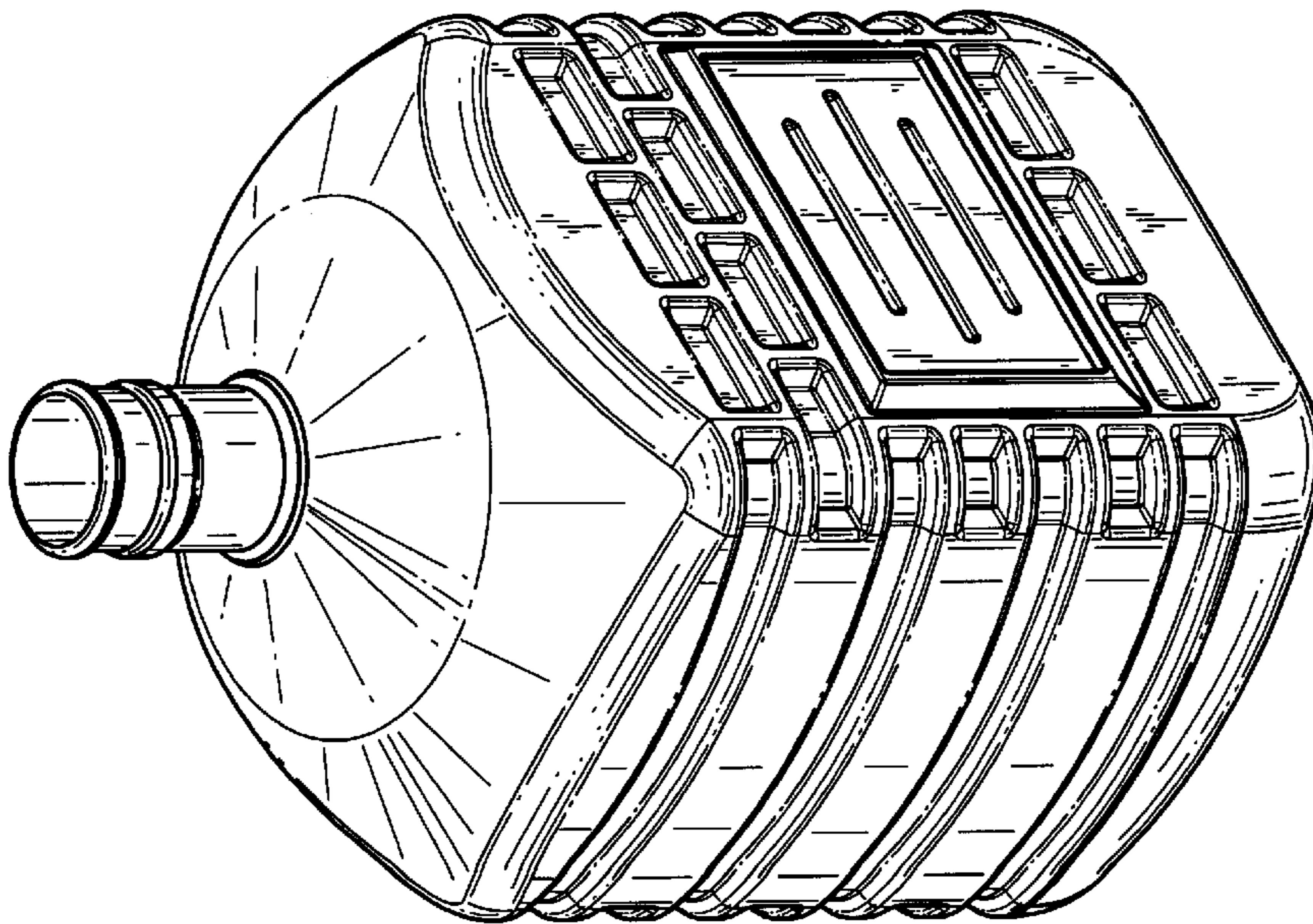


FIG. 1

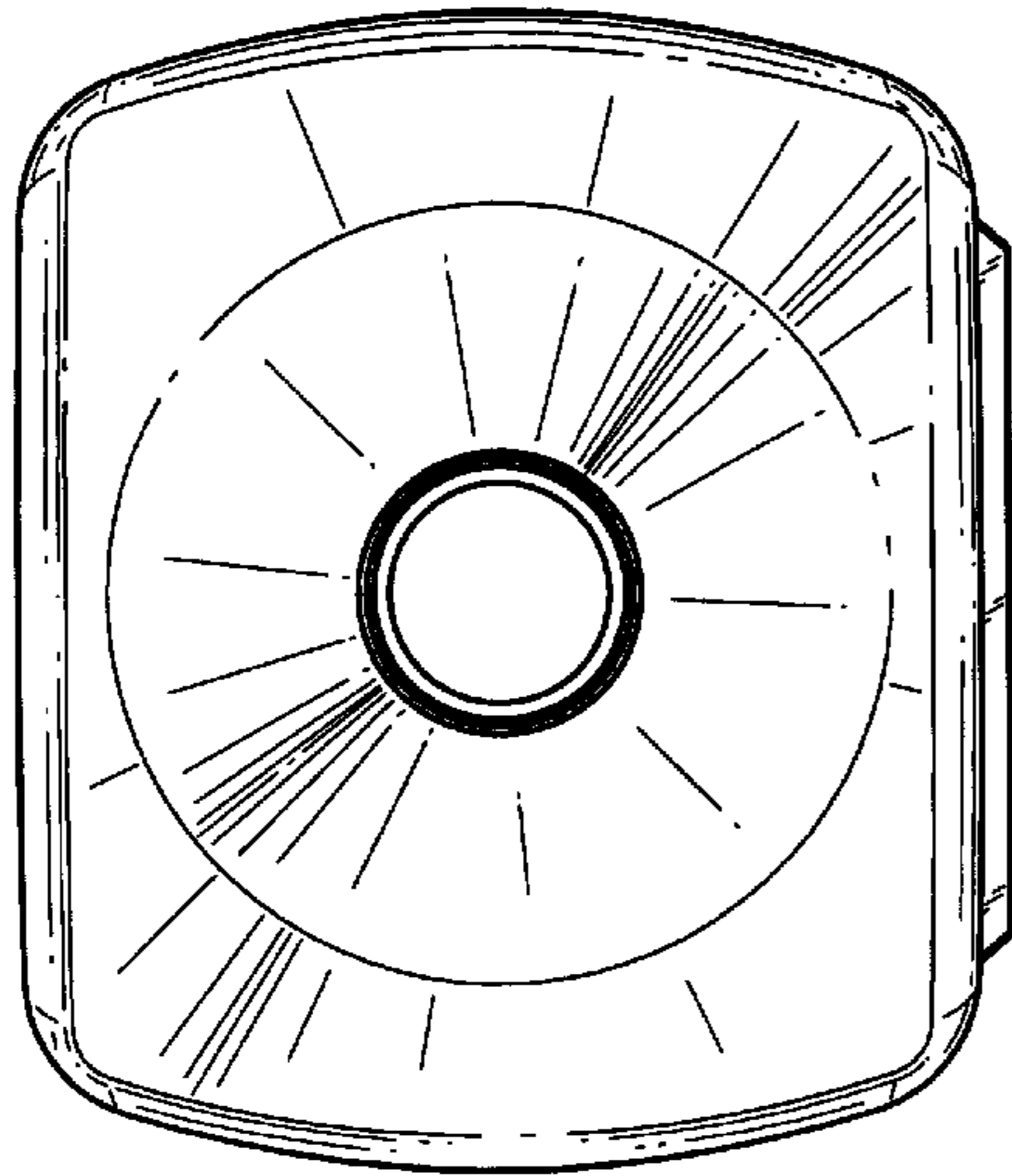


FIG. 4

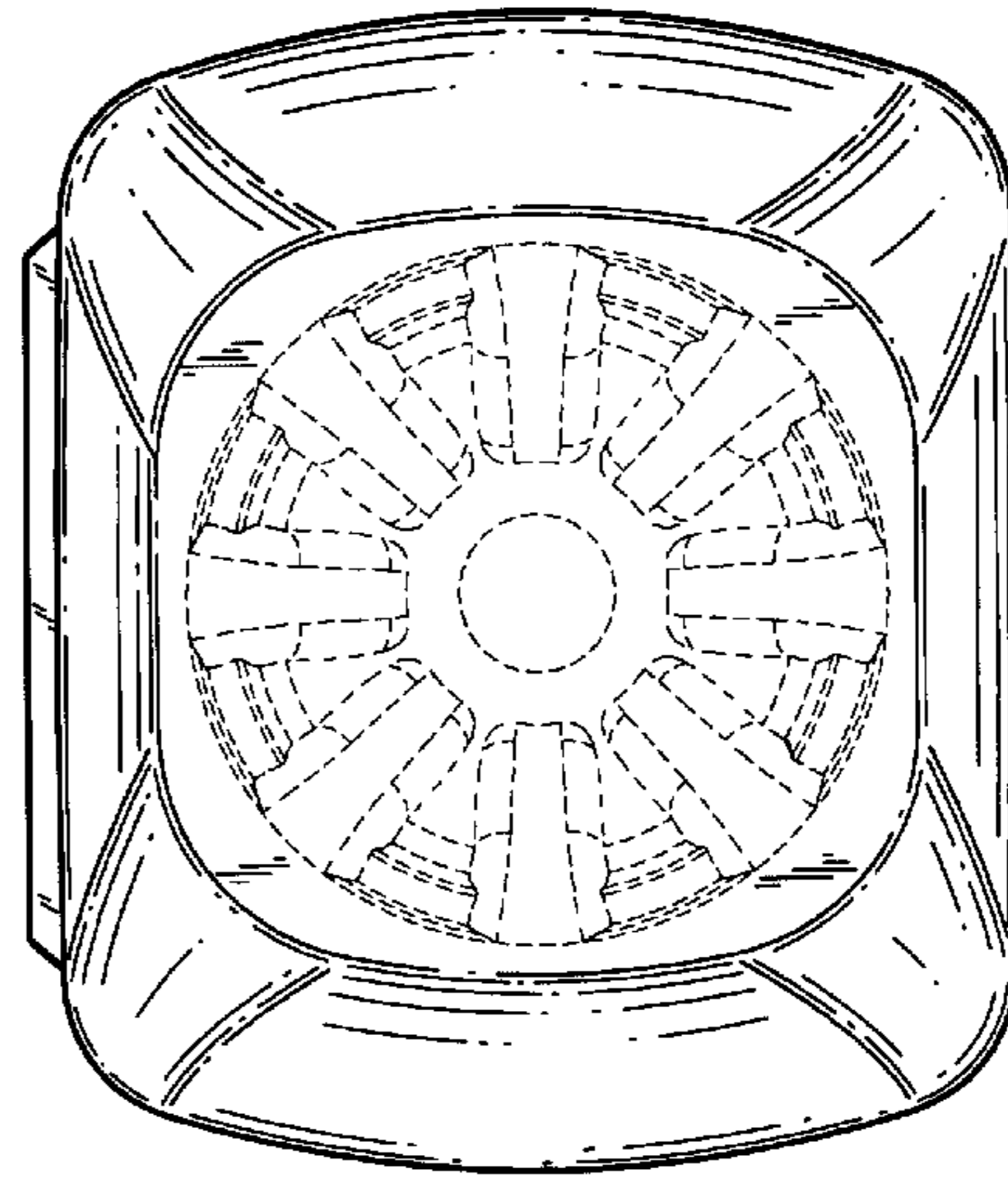


FIG. 5

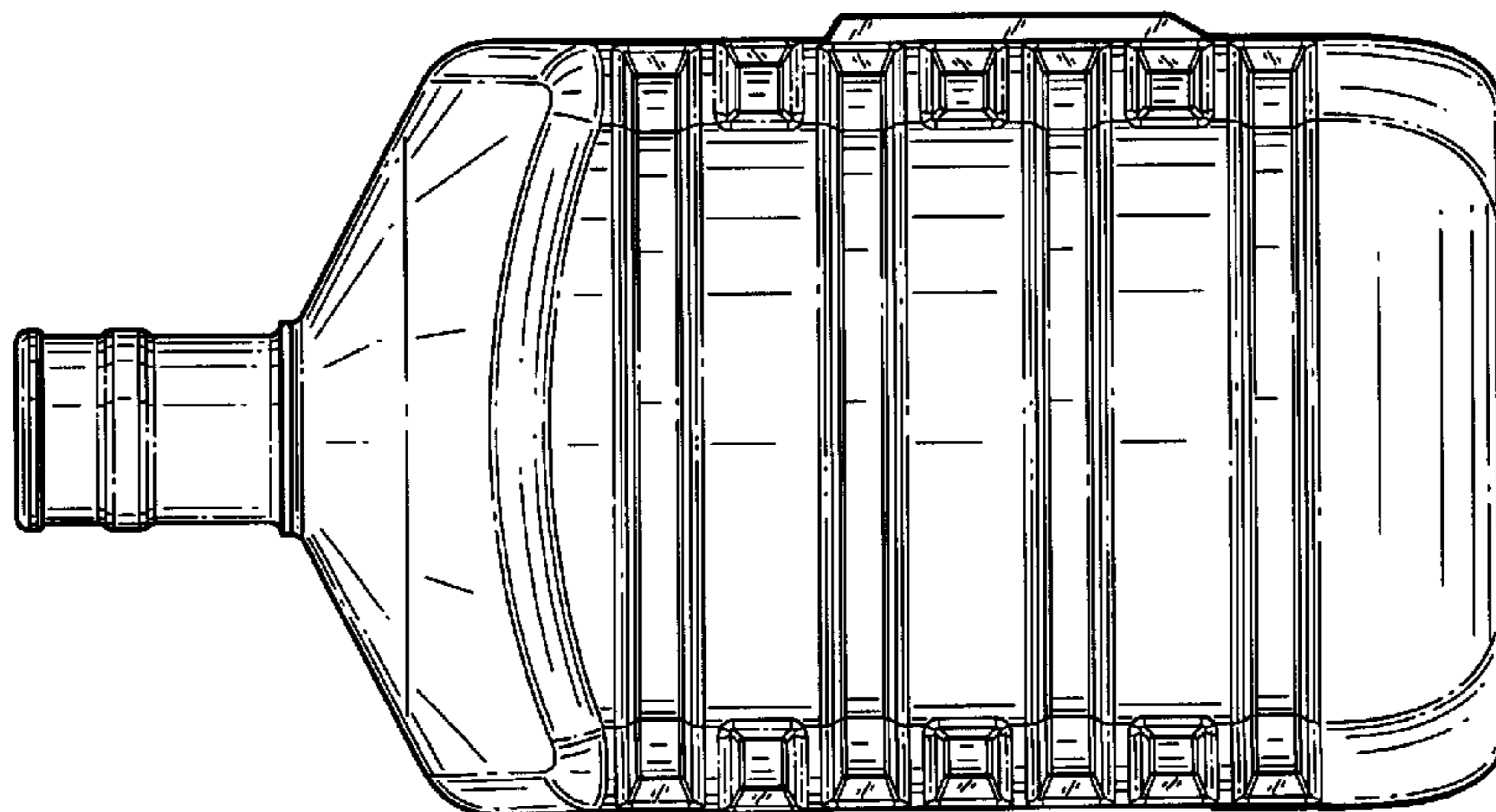


FIG. 3

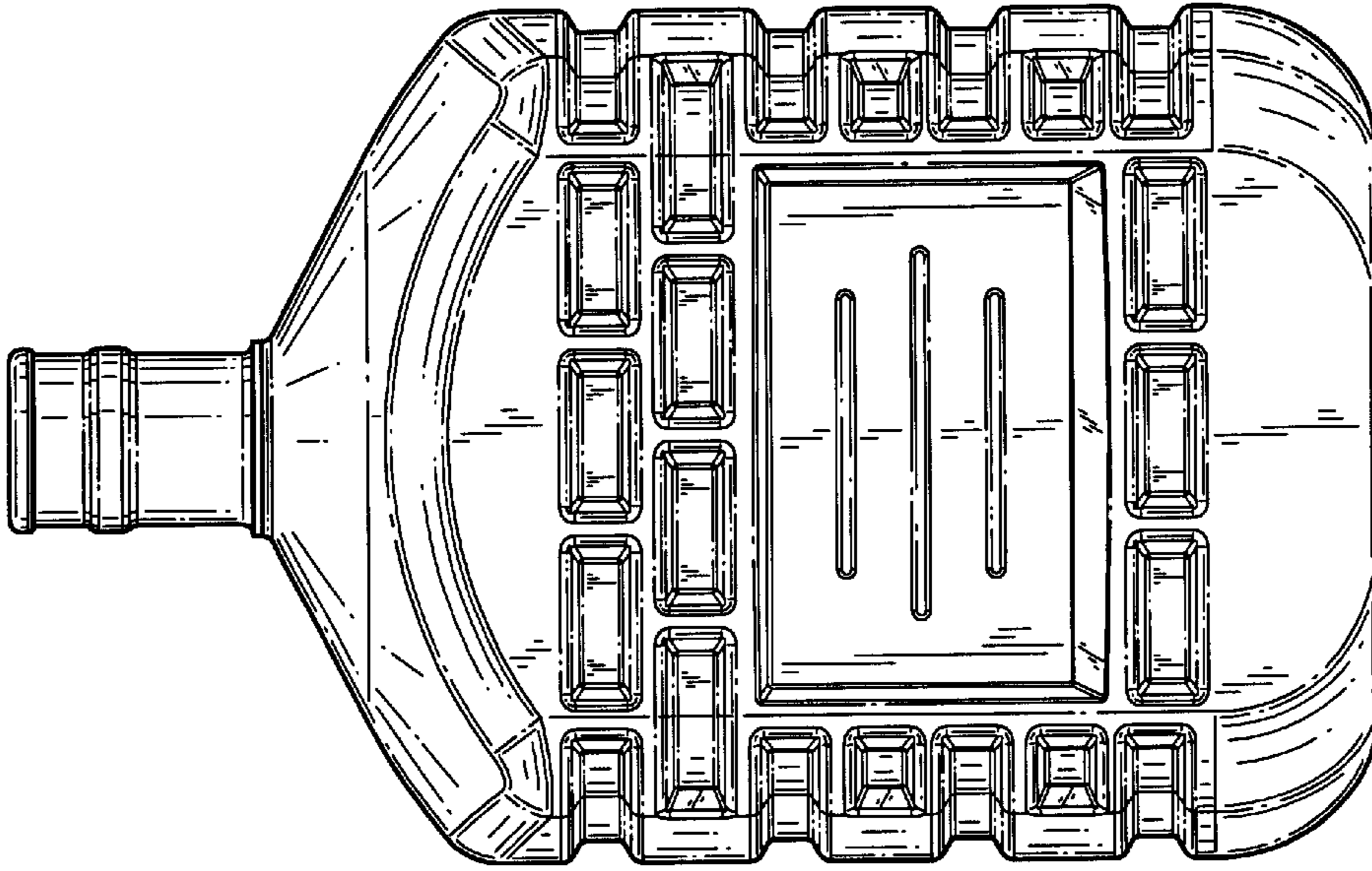


FIG. 7

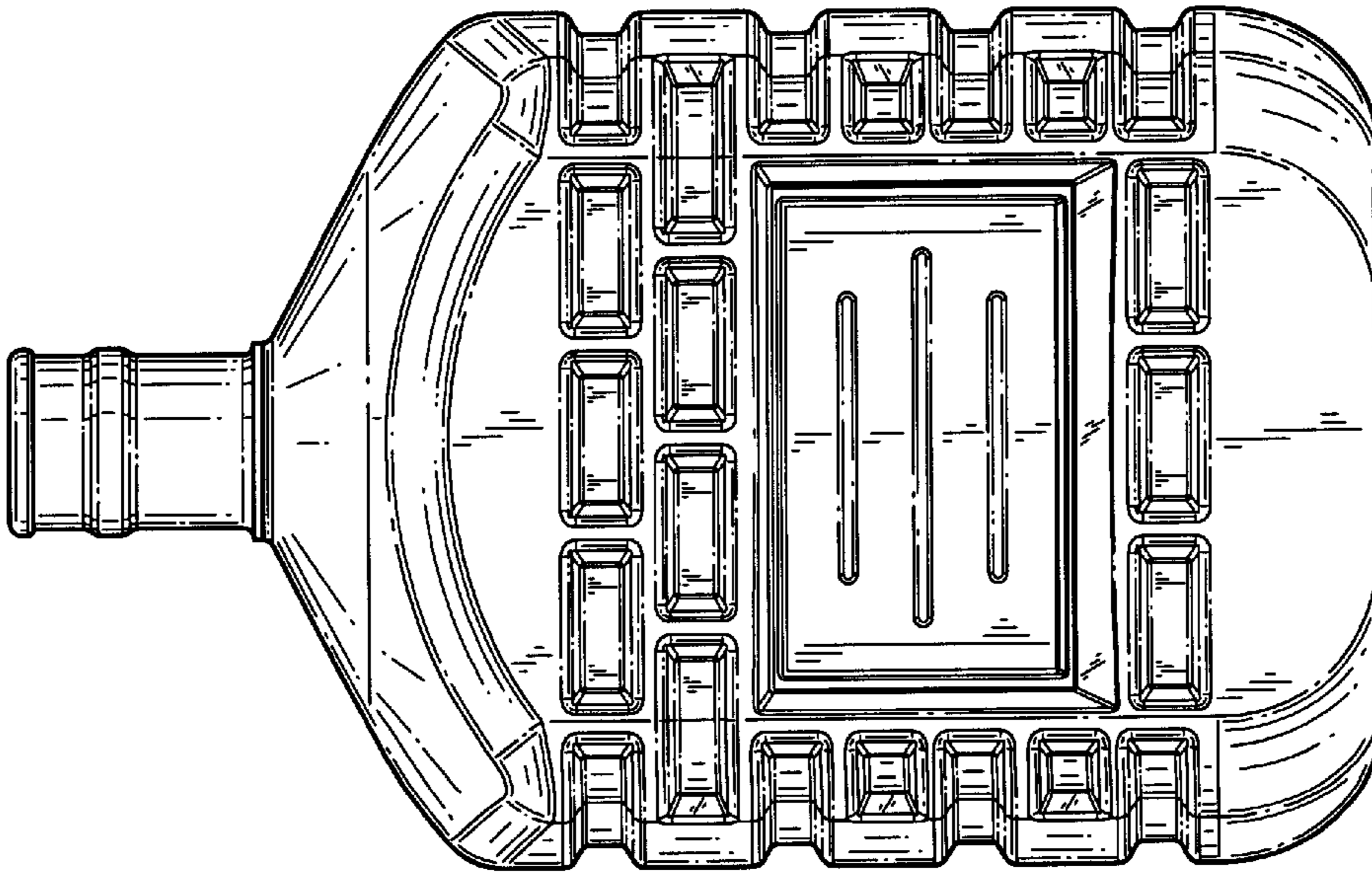


FIG. 6