



US00D527647S

(12) **United States Design Patent**
Blank

(10) **Patent No.:** **US D527,647 S**

(45) **Date of Patent:** **** Sep. 5, 2006**

(54) **CONTAINER**

D364,093 S * 11/1995 Weaver, Jr. D9/563
D384,586 S 10/1997 Peek
D470,058 S 2/2003 Bryant et al.

(75) Inventor: **Phil Blank**, Scottsdale, AZ (US)

FOREIGN PATENT DOCUMENTS

(73) Assignee: **Captive Plastic, Inc.**, Piscataway, NJ (US)

GB 2047204 * 8/1995

(**) Term: **14 Years**

OTHER PUBLICATIONS

(21) Appl. No.: **29/193,091**

Four photographs of a commercially available container, taken Feb. 2004, 2 pages.

(22) Filed: **Nov. 3, 2003**

* cited by examiner

(51) **LOC (8) Cl.** **09-01**

(52) **U.S. Cl.** **D9/563**; D9/566; D9/573

(58) **Field of Classification Search** D9/516,
D9/559, 560, 563, 566, 569, 570-574, 734;
215/379, 381-385; 220/660, 662, 669; D7/612-615
See application file for complete search history.

Primary Examiner—Ian Simmons

Assistant Examiner—Dana L. Sipos

(74) *Attorney, Agent, or Firm*—Caesar, Rivise, Bernstein,
Cohen & Pokotilow, Ltd.

(57) **CLAIM**

(56) **References Cited**

The ornamental design for the container, substantially as shown.

U.S. PATENT DOCUMENTS

DESCRIPTION

D6,528 S * 3/1873 Muller D9/560
D43,437 S 1/1913 Sanford
D125,920 S 1/1941 Lundy
D204,580 S * 4/1966 Dike D7/352
D268,324 S 3/1983 Gautier
D275,267 S 8/1984 Gautier
D304,548 S 11/1989 Freitas
D318,422 S 7/1991 Rumney
D320,554 S * 10/1991 Van Dine et al. D9/574
D332,751 S * 1/1993 Pischulti et al. D9/560
D339,291 S * 9/1993 Leigner D9/520
D348,007 S 6/1994 Feen

FIG. 1 is a perspective view of a container embodying our new design;

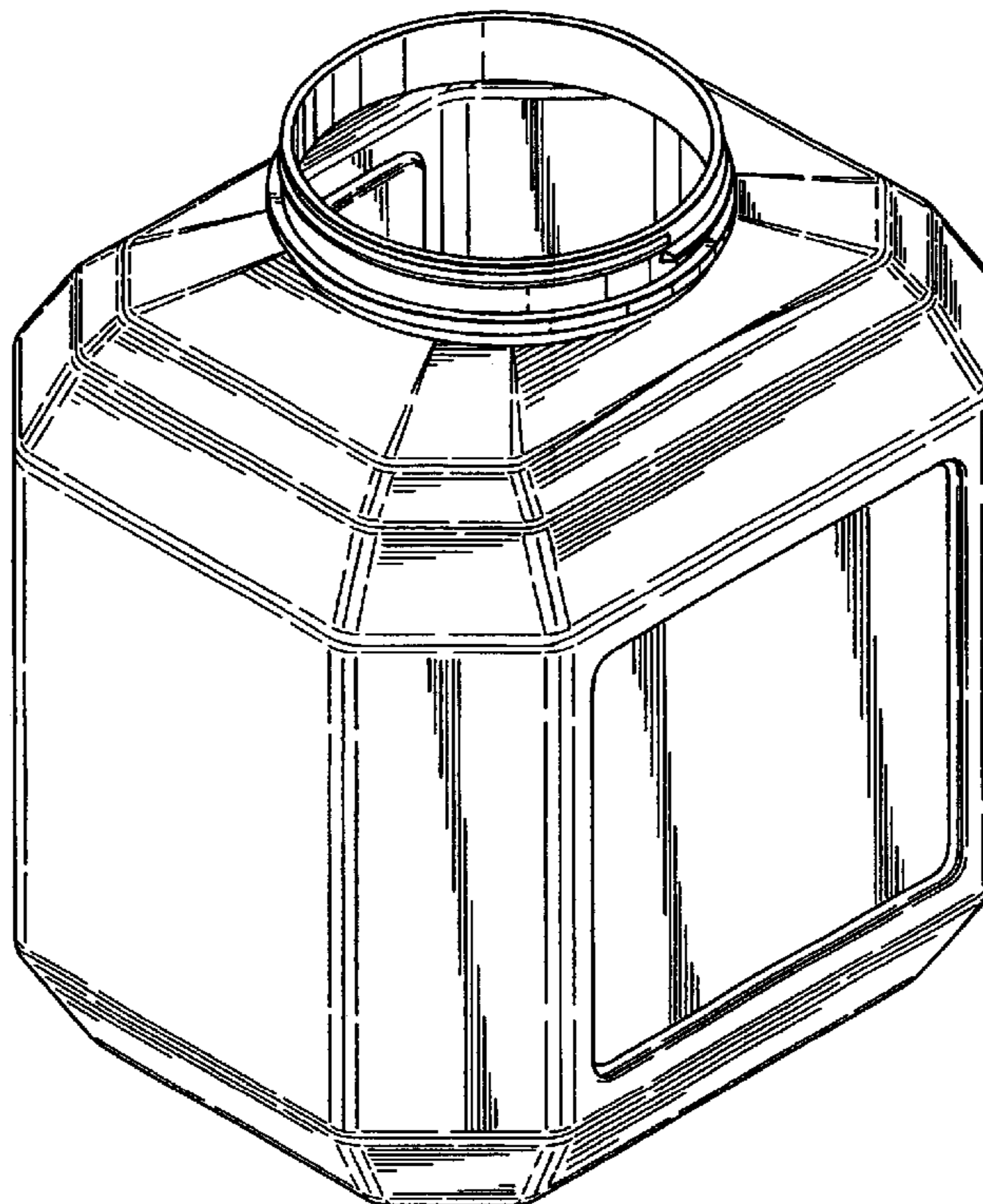
FIG. 2 is a front elevational view thereof, the rear elevational view being identical;

FIG. 3 is a right side elevational view thereof, the left side elevational view being identical; and,

FIG. 4 is a top plan view thereof; and,

FIG. 5 is a bottom plan view thereof.

1 Claim, 4 Drawing Sheets



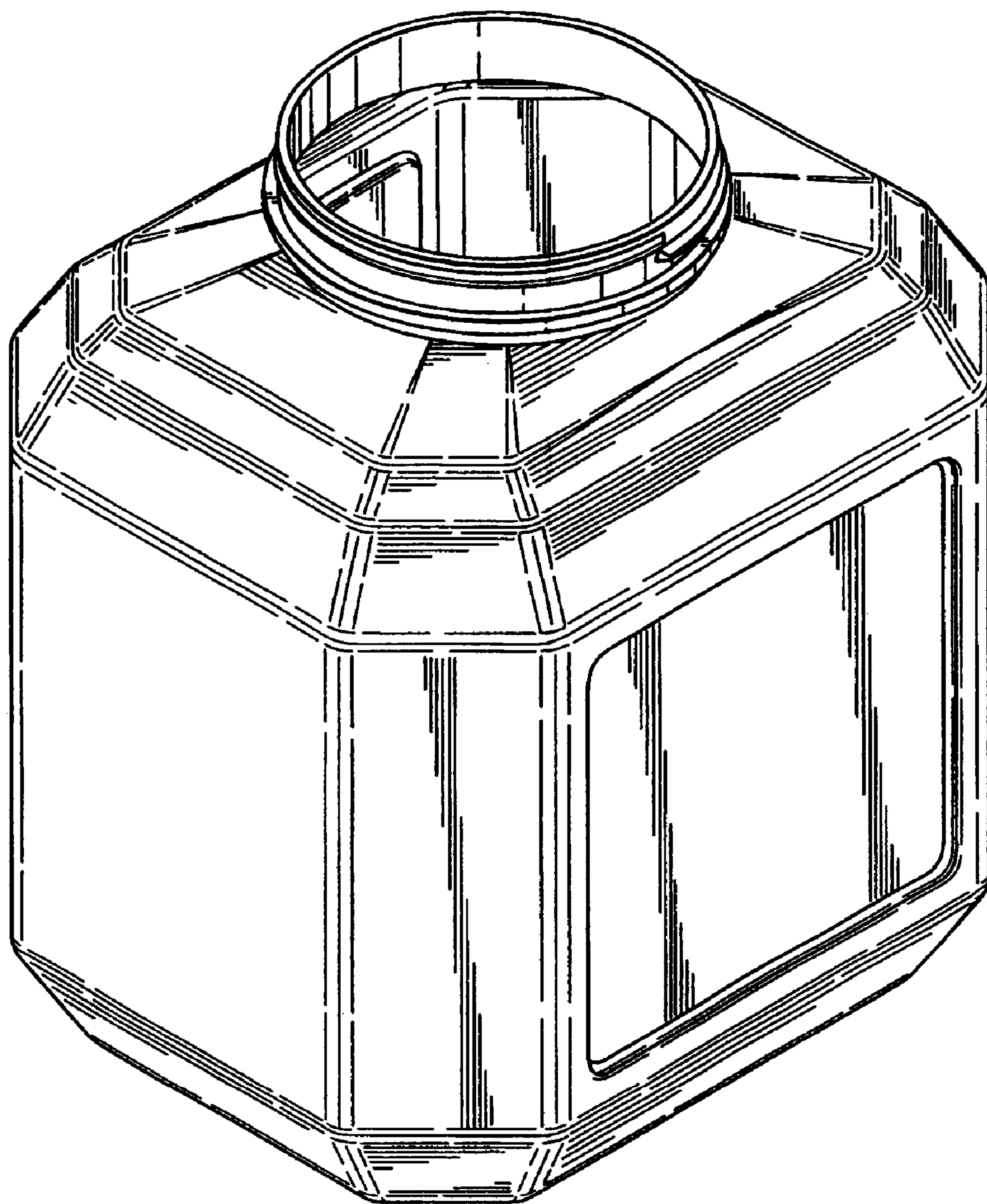


FIG. 1

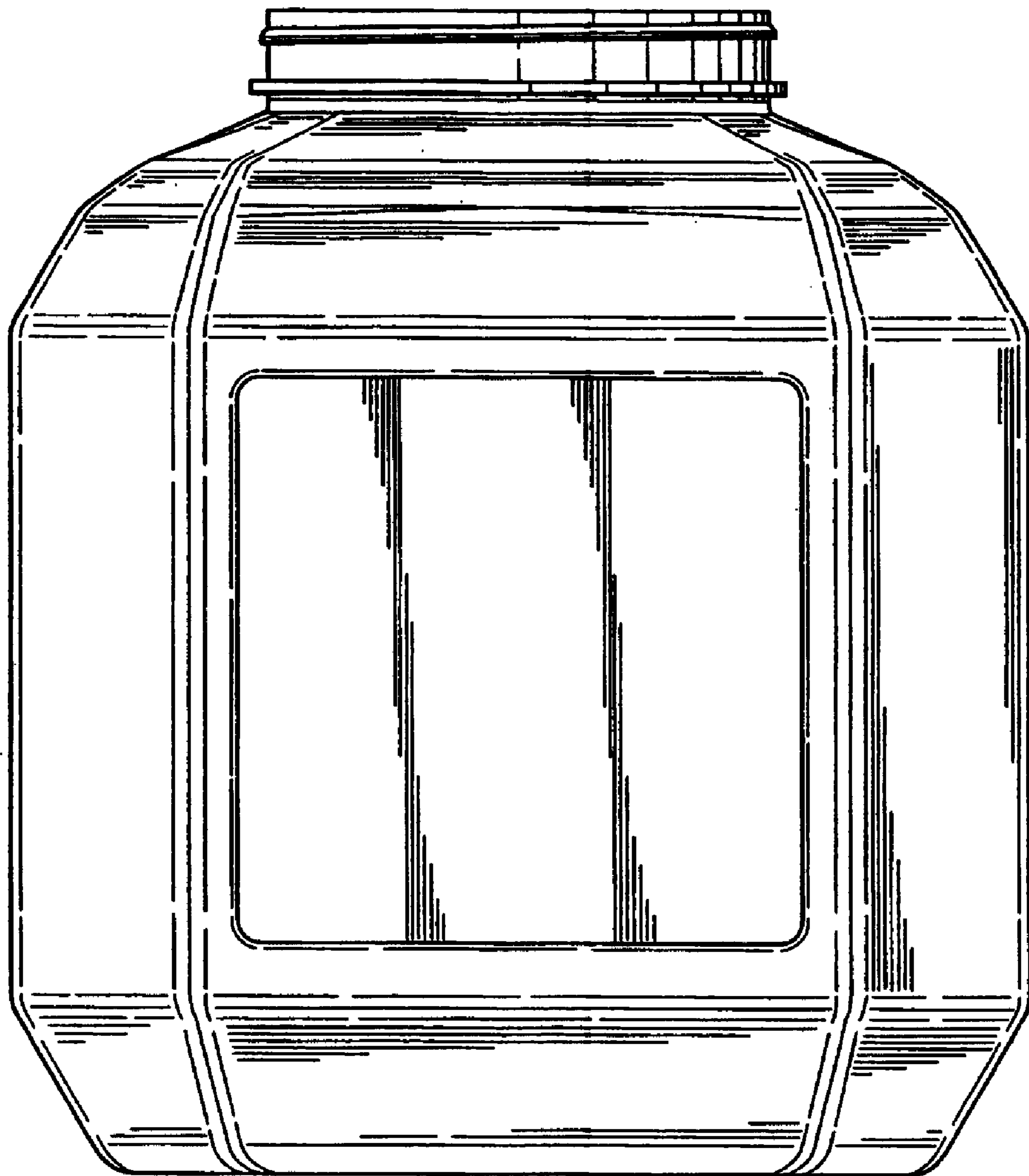


FIG. 2

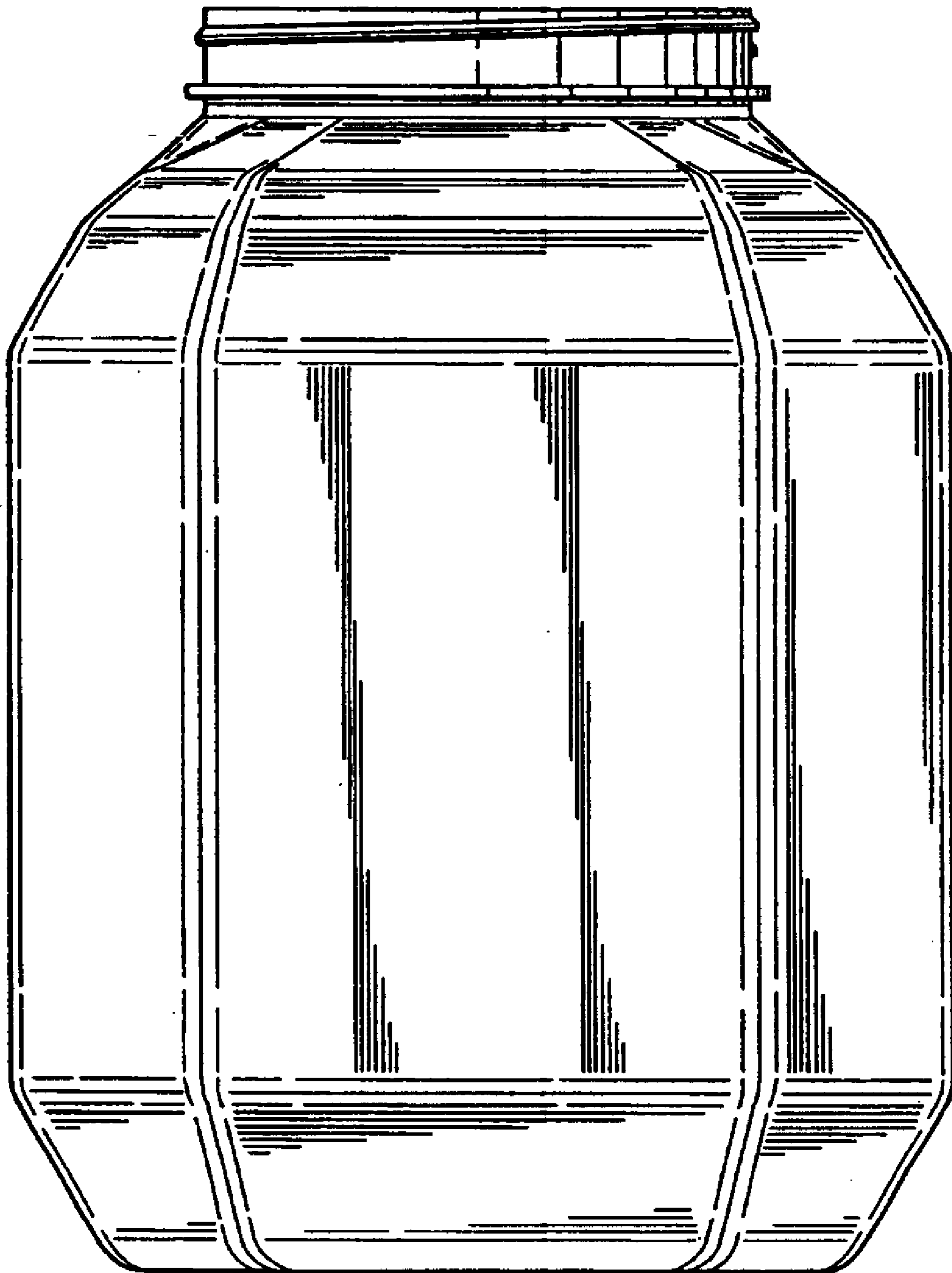


FIG. 3

FIG. 4

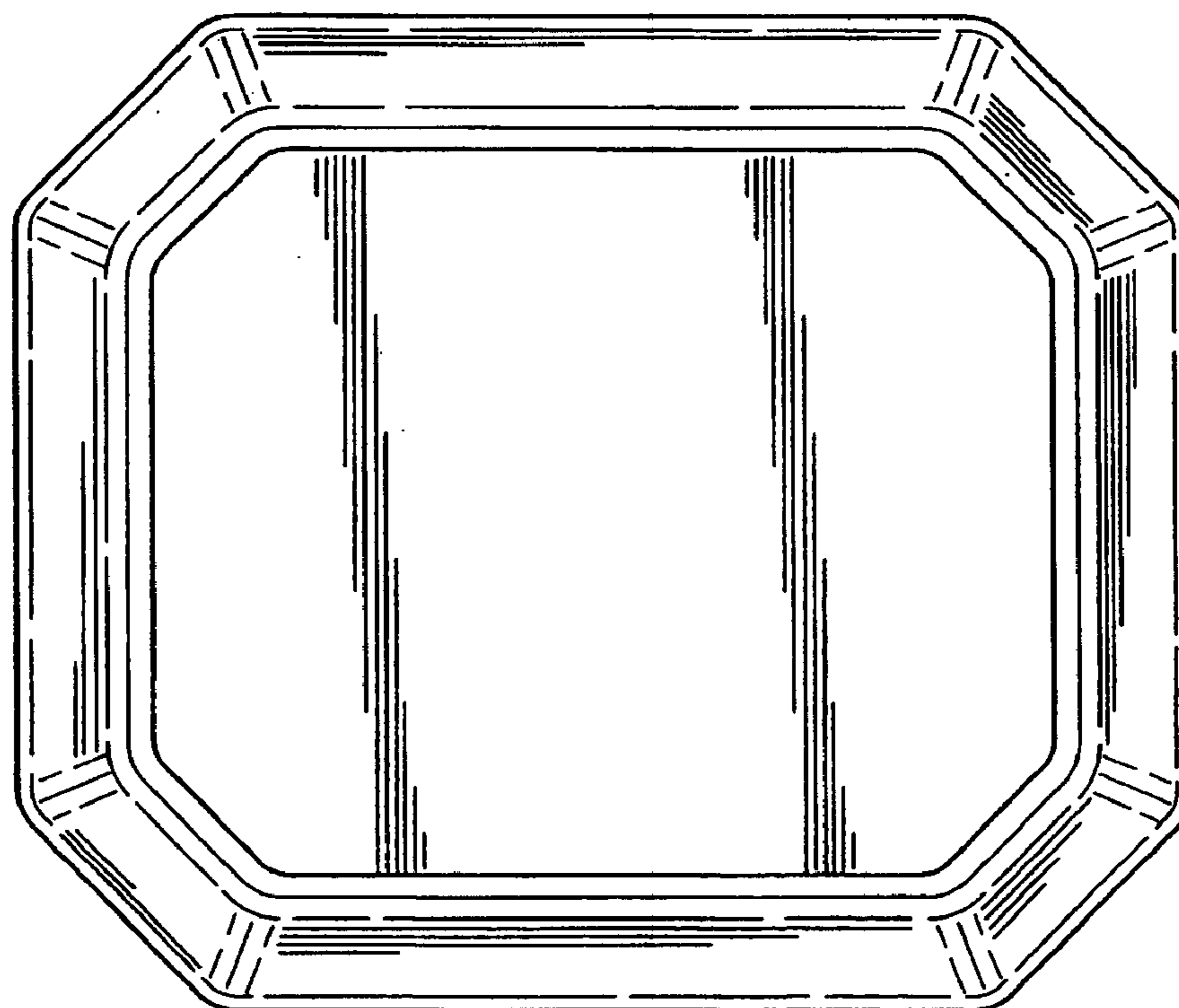
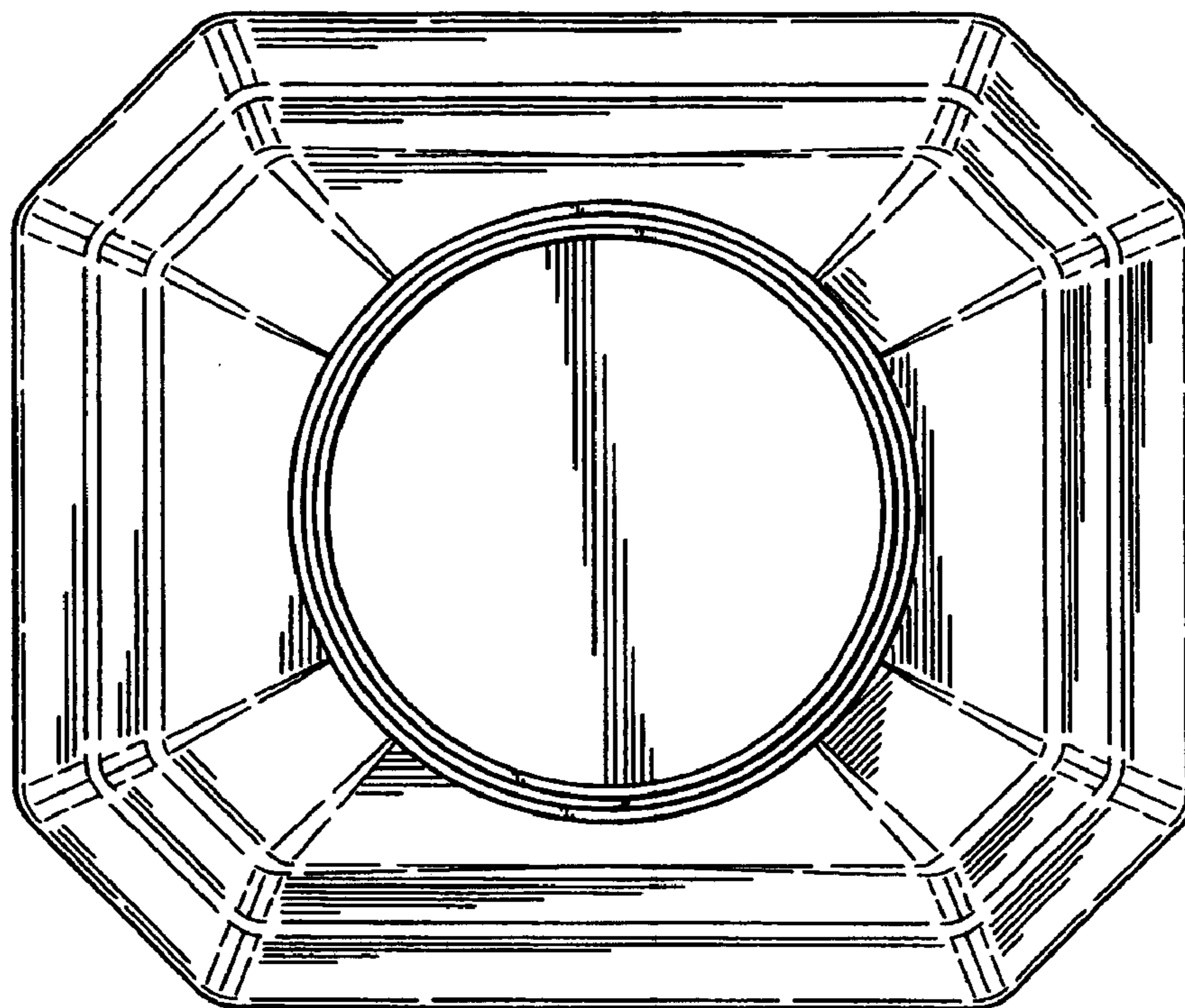


FIG. 5