



US00D527646S

(12) **United States Design Patent**  
**Cornet et al.**

(10) **Patent No.:** **US D527,646 S**

(45) **Date of Patent:** **\*\* Sep. 5, 2006**

(54) **FLASK**

(75) Inventors: **Gerard Cornet**, Blaru (FR); **Patrick Bousquel**, Paris (FR)

(73) Assignee: **Valois S.A.S.**, Le Neubourg (FR)

(\*\*) Term: **14 Years**

(21) Appl. No.: **29/221,406**

(22) Filed: **Jan. 18, 2005**

(30) **Foreign Application Priority Data**

Jul. 19, 2004 (EM) ..... 000203187-0001

(51) **LOC (8) Cl.** ..... **09-01**

(52) **U.S. Cl.** ..... **D9/560**

(58) **Field of Classification Search** ..... D9/414,  
D9/417-418, 423, 432, 515-516, 529, 560,  
D9/563-564, 572-573, 686-687, 711; 215/381-385,  
215/396-398

See application file for complete search history.

(56) **References Cited**

**U.S. PATENT DOCUMENTS**

1,951,831 A \* 3/1934 Lewis ..... 206/277

D264,941 S \* 6/1982 Stock ..... D9/724  
D287,340 S \* 12/1986 Dinand ..... D9/560  
D359,691 S \* 6/1995 Pire ..... D9/560  
D499,341 S \* 12/2004 Lovison ..... D9/529

\* cited by examiner

*Primary Examiner*—Ian Simmons

*Assistant Examiner*—Dana Sipos

(74) *Attorney, Agent, or Firm*—Sughrue Mion, PLLC

(57) **CLAIM**

The ornamental design for a flask, as shown and described.

**DESCRIPTION**

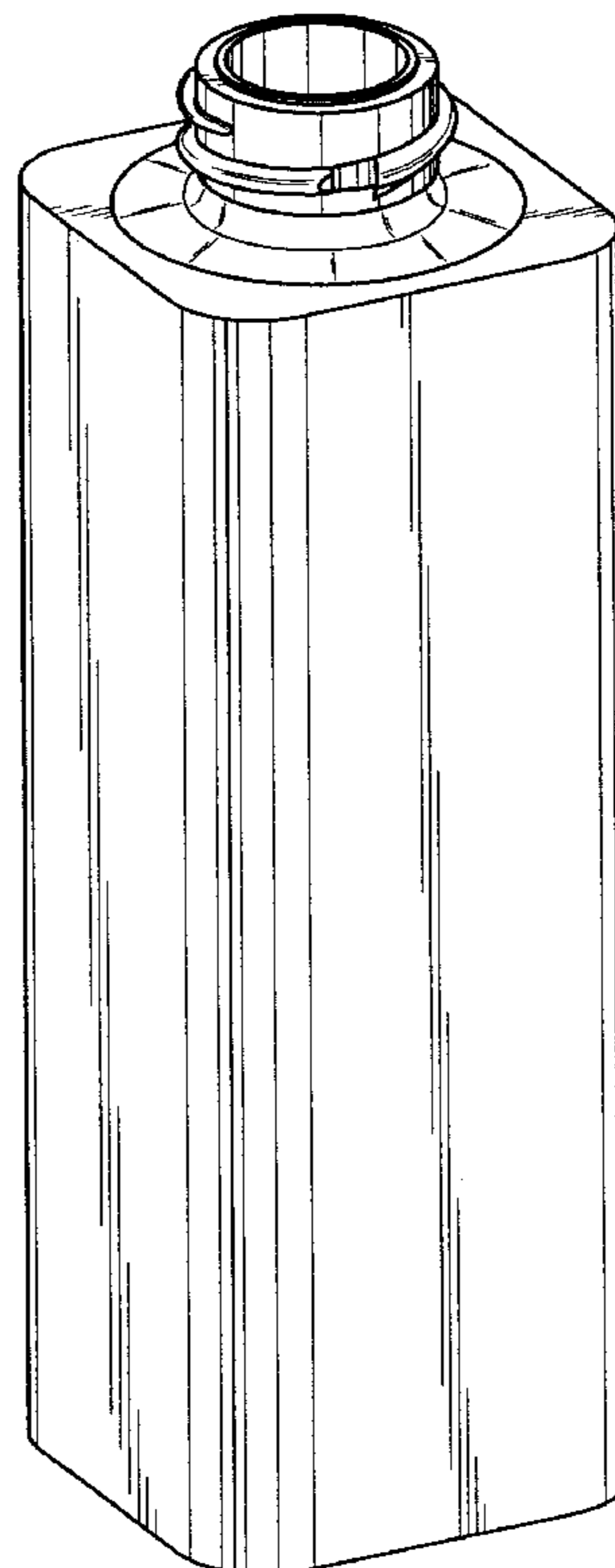
FIG. 1 is a front, left, perspective view of a flask showing our new design;

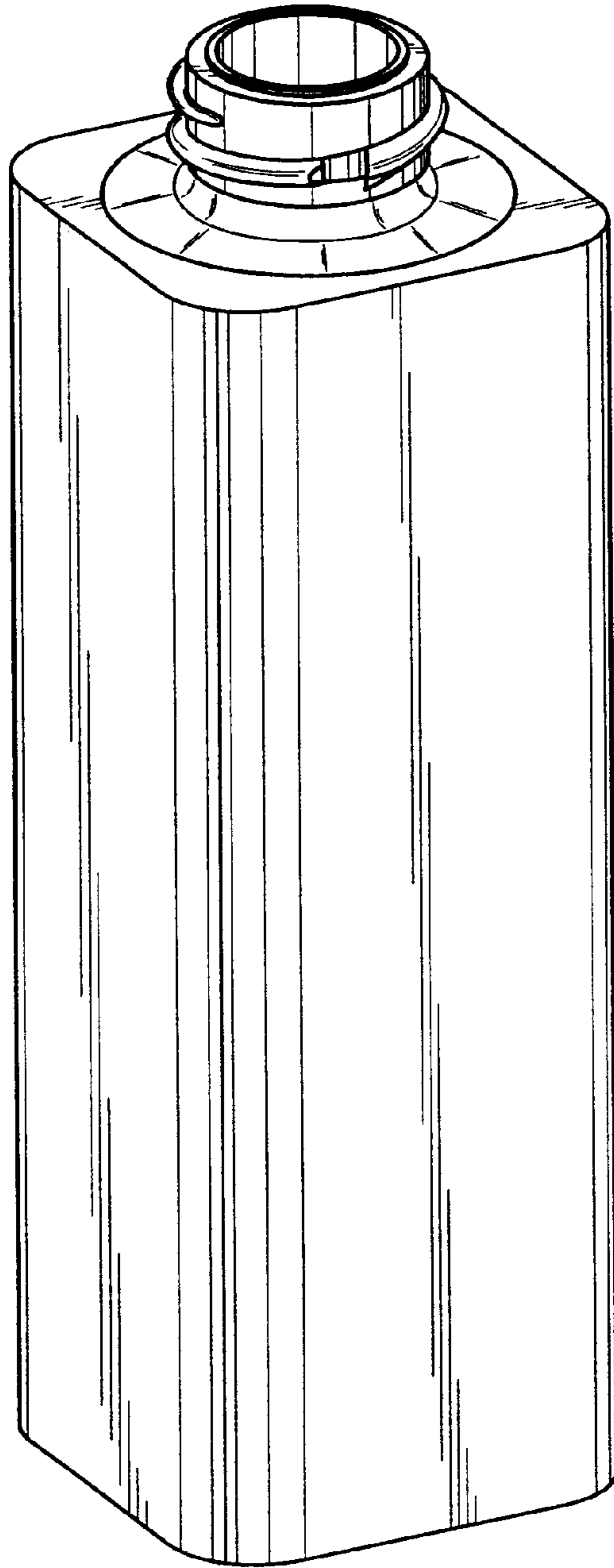
FIG. 2 is a right side elevational view thereof, the front, rear and left side elevational views being identical, excluding the threaded portion of the flask pour spout;

FIG. 3 is a top plan view thereof; and,

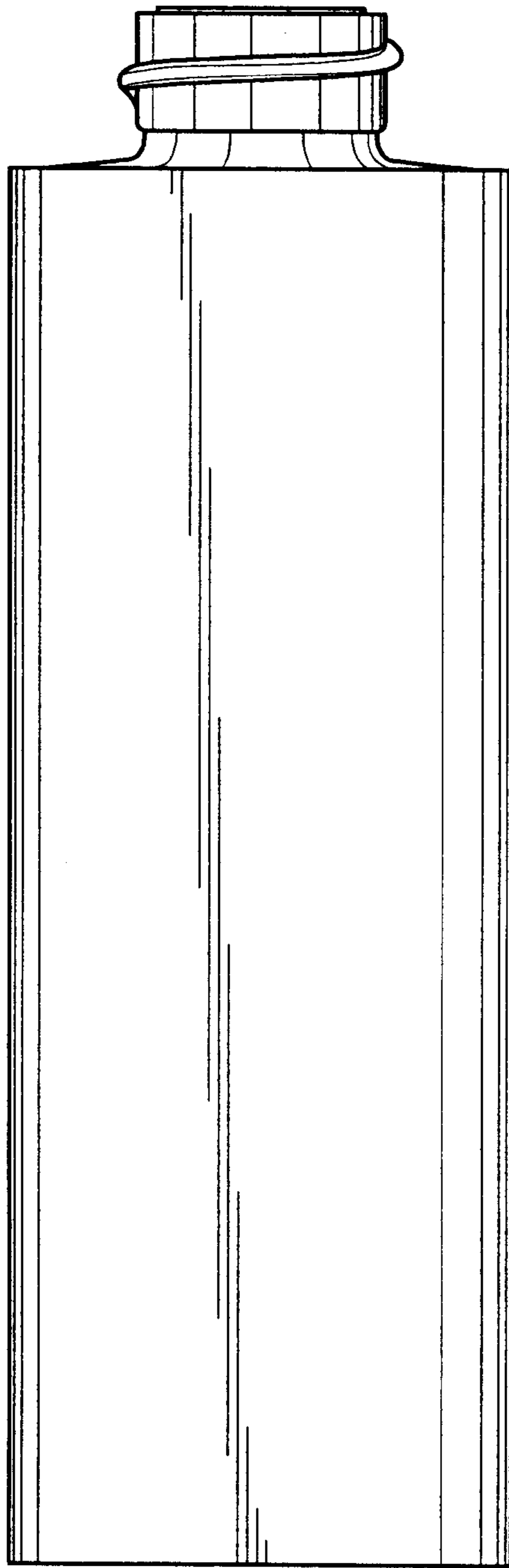
FIG. 4 is a bottom plan view thereof.

**1 Claim, 3 Drawing Sheets**

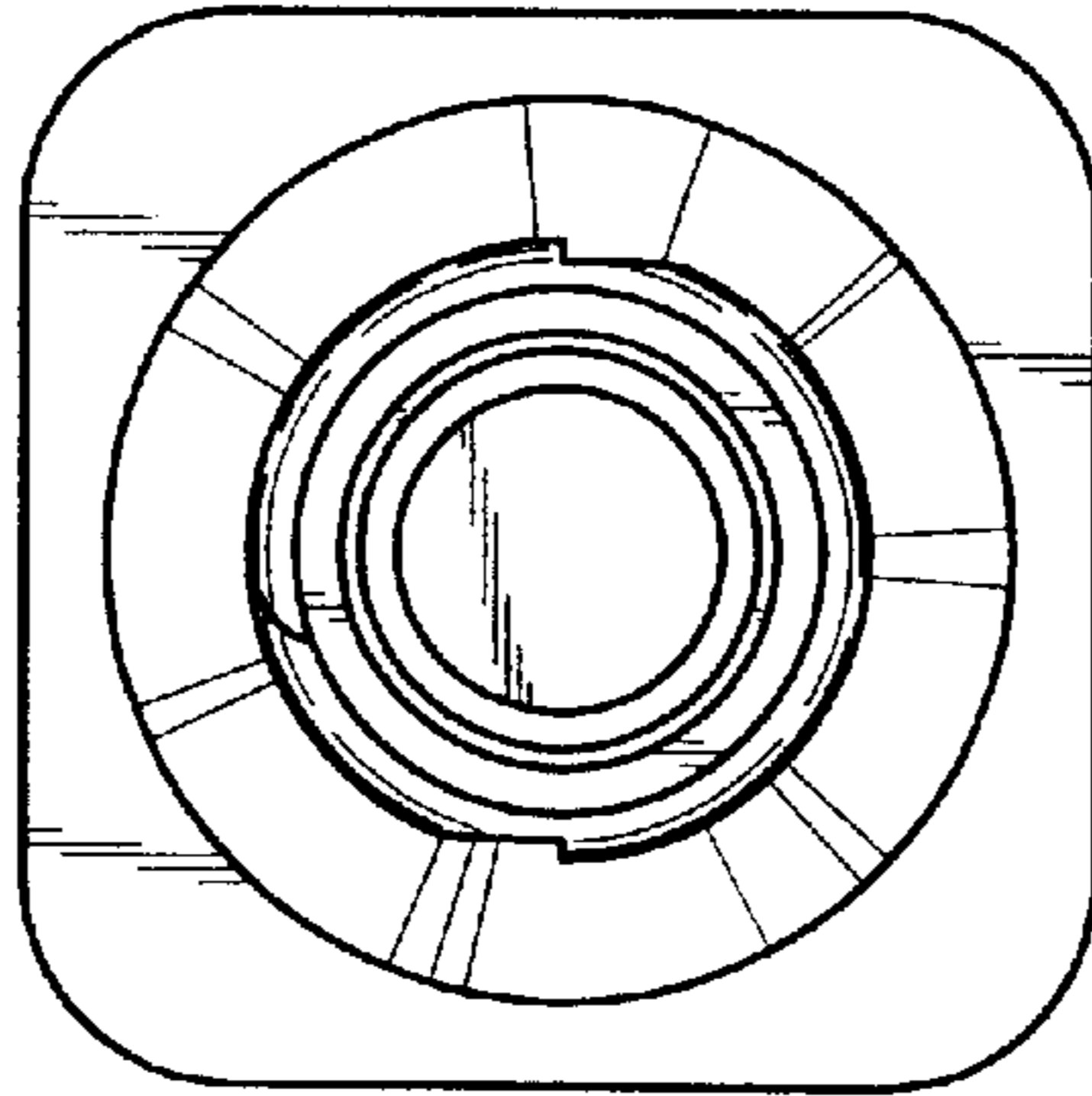




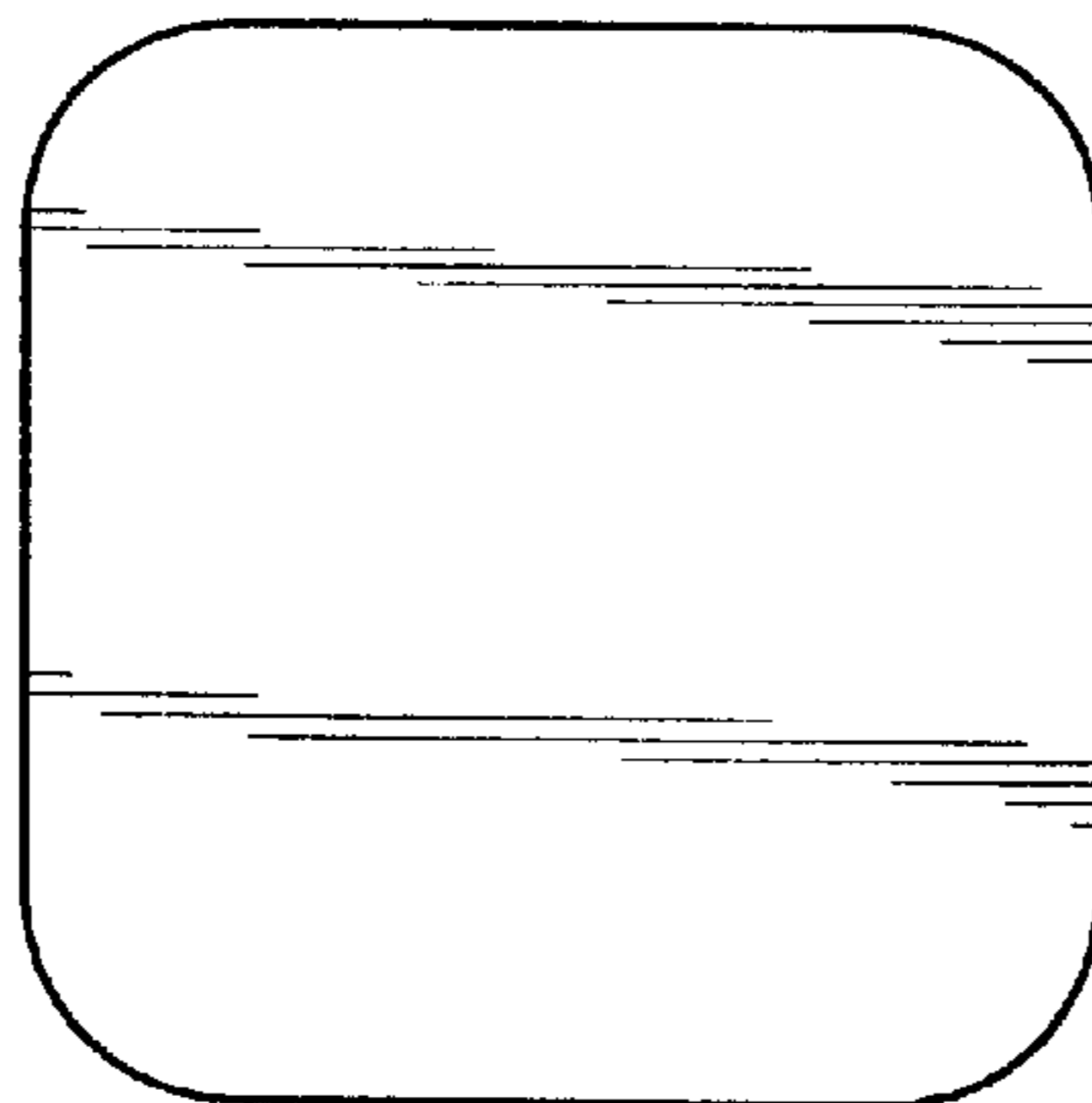
*Fig. 1*



*Fig. 2*



*Fig. 3*



*Fig. 4*