



US00D527639S

(12) **United States Design Patent**
Voss et al.

(10) **Patent No.:** **US D527,639 S**

(45) **Date of Patent:** **** Sep. 5, 2006**

(54) **PLASTIC CONTAINER**

(75) Inventors: **Gary I. Voss**, Medina, OH (US); **James J. Miller**, Barberton, OH (US)

(73) Assignee: **Plastipak Packaging, Inc.**, Plymouth, MI (US)

(**) Term: **14 Years**

(21) Appl. No.: **29/236,327**

(22) Filed: **Aug. 15, 2005**

(51) **LOC (8) Cl.** **09-01**

(52) **U.S. Cl.** **D9/528; D9/563**

(58) **Field of Classification Search** D9/516,
D9/523, 524, 526-531, 543, 563, 572, 574;
D7/300, 306, 319, 321, 322; 215/1 A, 1 C,
215/1 R, 382-385, 396.398; 220/771, 772;
222/454, 475; 206/527, 822

See application file for complete search history.

(56) **References Cited**

U.S. PATENT DOCUMENTS

D209,176 S	*	11/1967	Neubauer	D9/528
D228,230 S	*	8/1973	Cutler	D9/528
D229,483 S	*	12/1973	Cutler	D9/528
D248,830 S	*	8/1978	Anderson	D9/523
D248,831 S	*	8/1978	Anderson	D9/528
D274,223 S	*	6/1984	Turnbull	D9/523

D279,078 S	*	6/1985	Franchi et al.	D9/528
D302,523 S	*	8/1989	Suhajda	D9/528
D312,210 S	*	11/1990	Myerson et al.	D9/528
D363,019 S	*	10/1995	Arnold et al.	D9/528
D377,604 S	*	1/1997	Salmon et al.	D9/528
D431,472 S	*	10/2000	Cain et al.	D9/524

* cited by examiner

Primary Examiner—Mitchell Siegel

Assistant Examiner—Shanda C. Hill

(74) *Attorney, Agent, or Firm*—Robert H. Bachman

(57) **CLAIM**

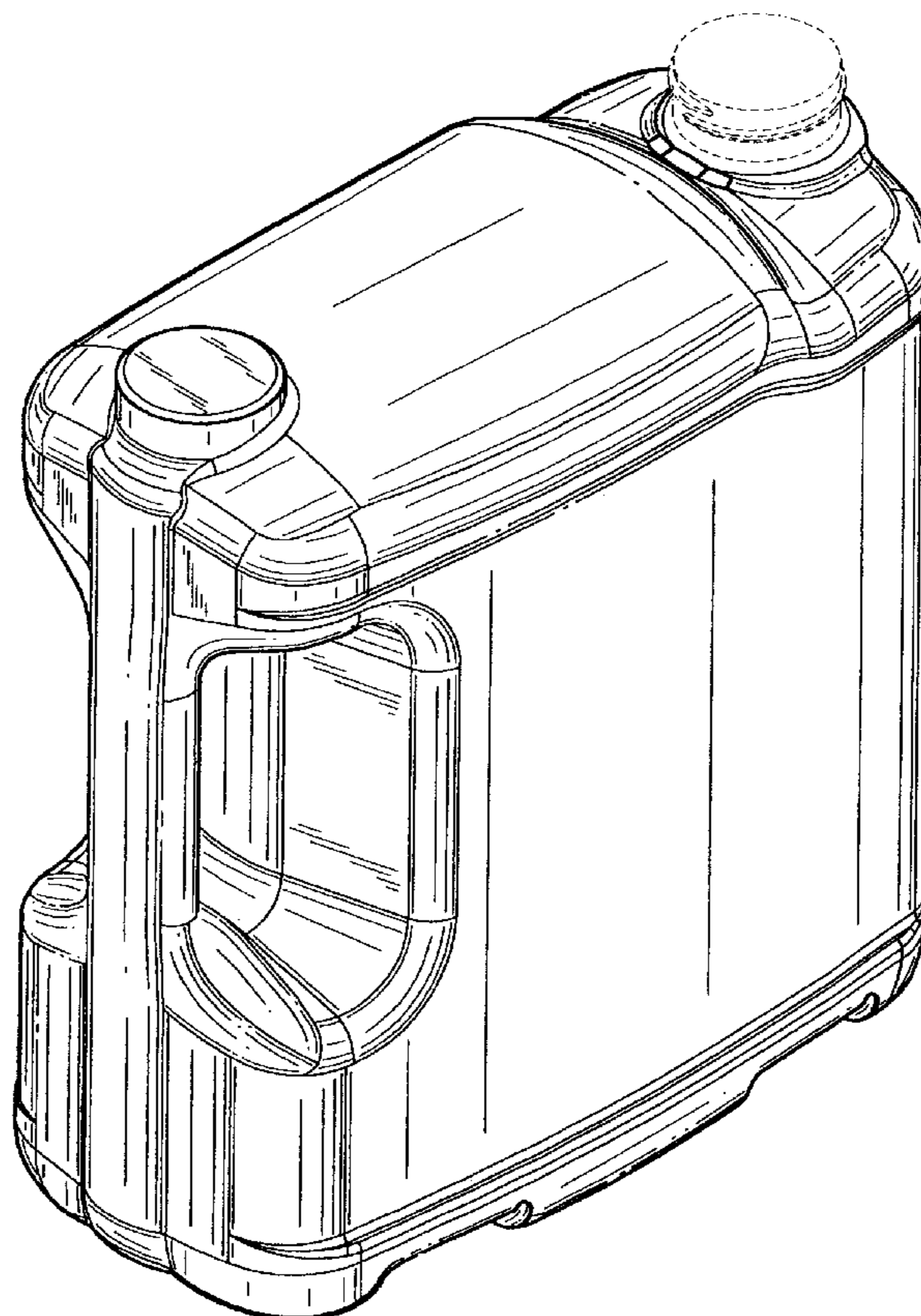
The ornamental design for a plastic container, as shown and described.

DESCRIPTION

FIG. 1 is a top, right, rear perspective view of a plastic container showing our new design; FIG. 2 is a left side elevational view thereof; FIG. 3 is a front elevational view thereof; FIG. 4 is a rear elevational view thereof; FIG. 5 is a top plan view thereof; FIG. 6 is a bottom plan view thereof; and, FIG. 7 is a perspective view of the plastic container shown in condition of use.

The broken lines shown in the drawing disclosure are for illustrative purposes only and form no part of the claimed design.

1 Claim, 4 Drawing Sheets



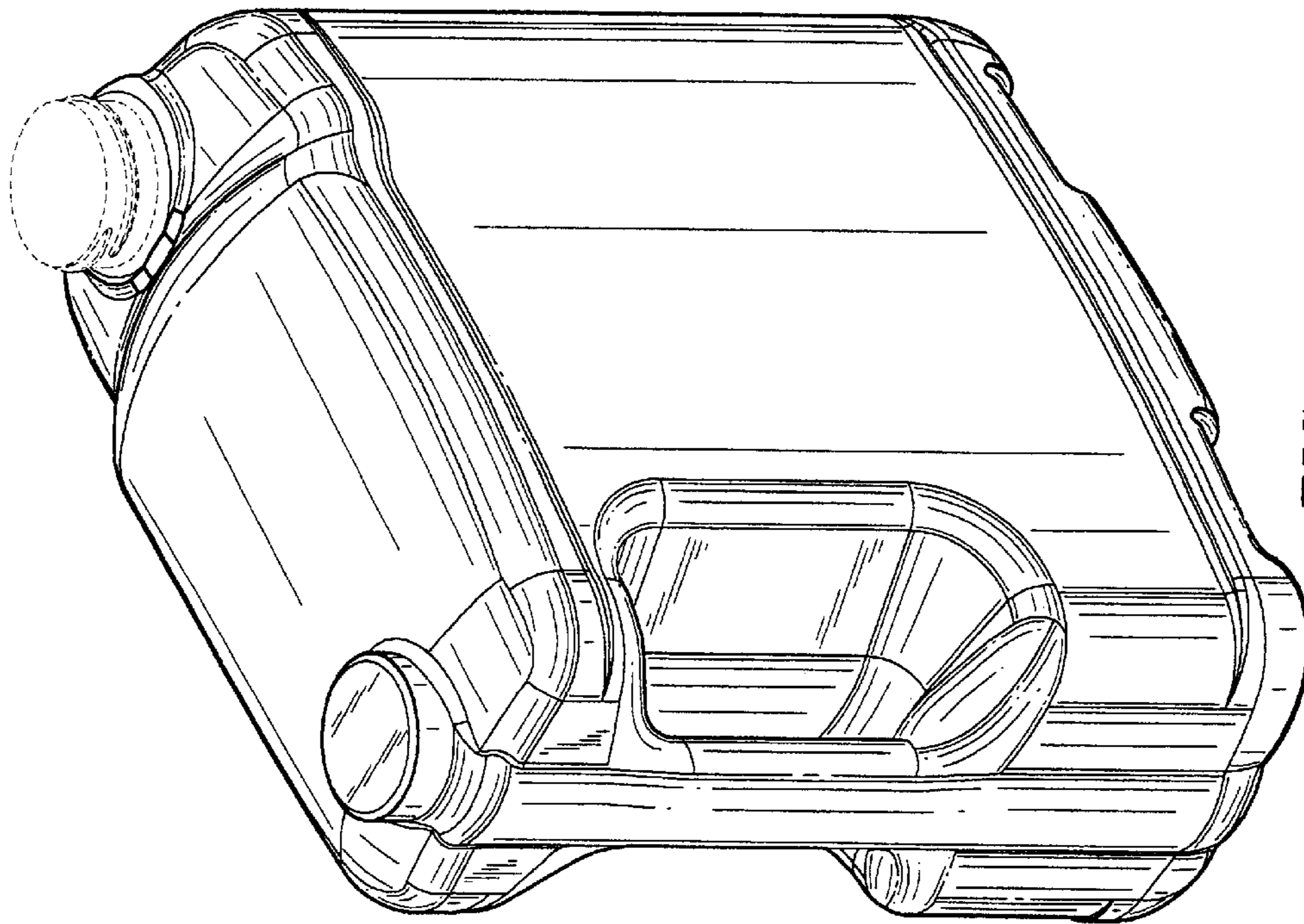


FIG. 1

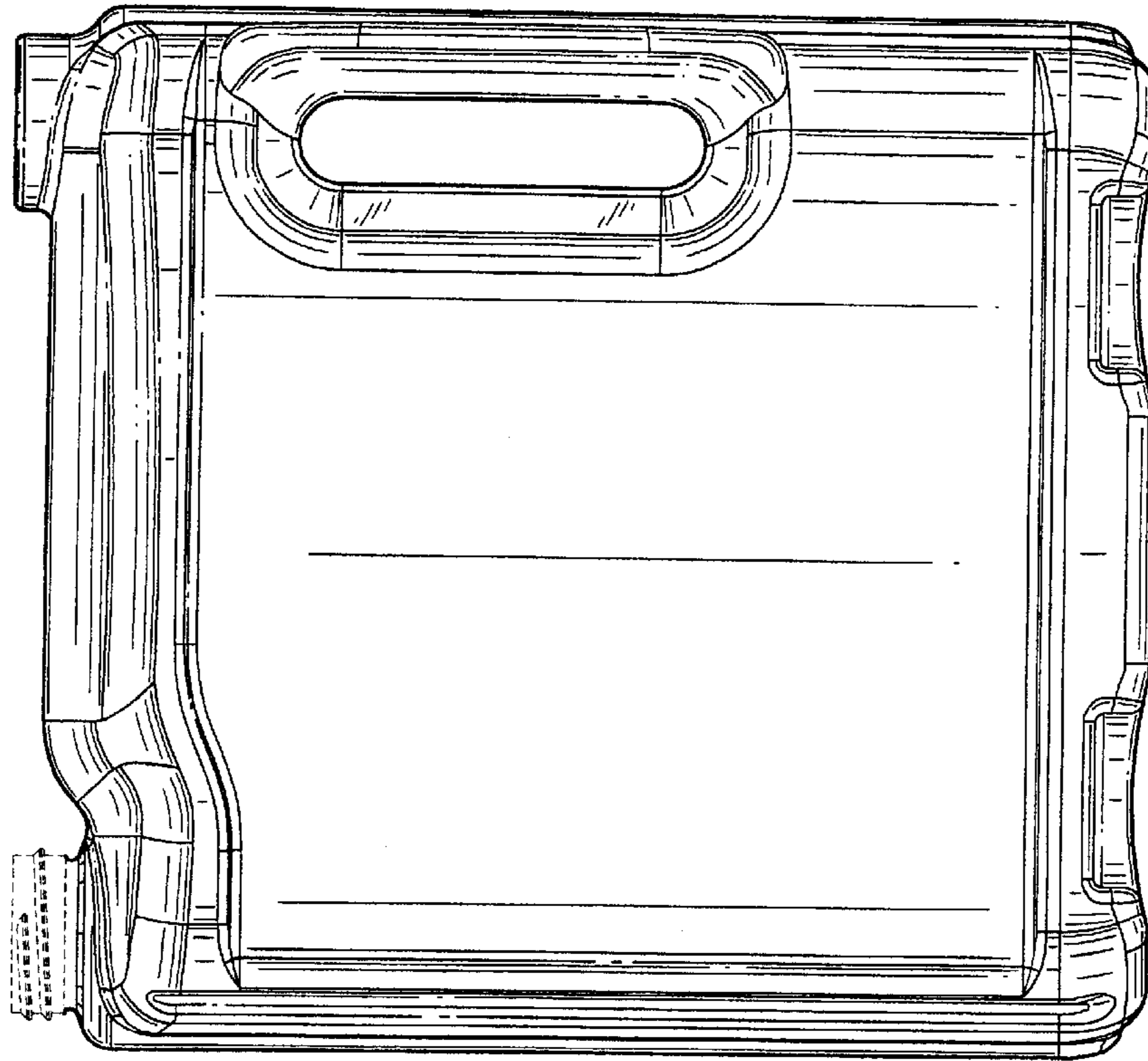


FIG. 2

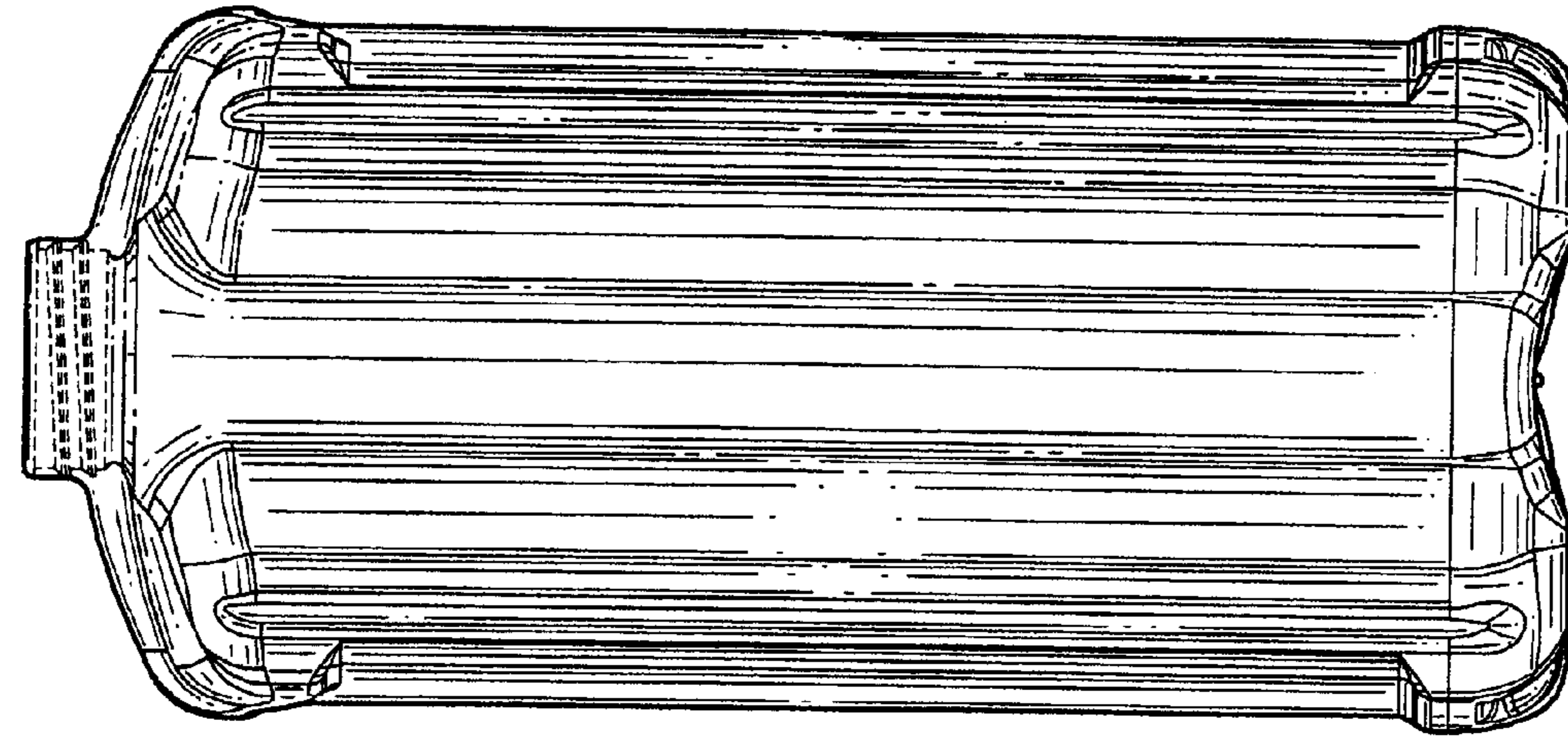


FIG. 4

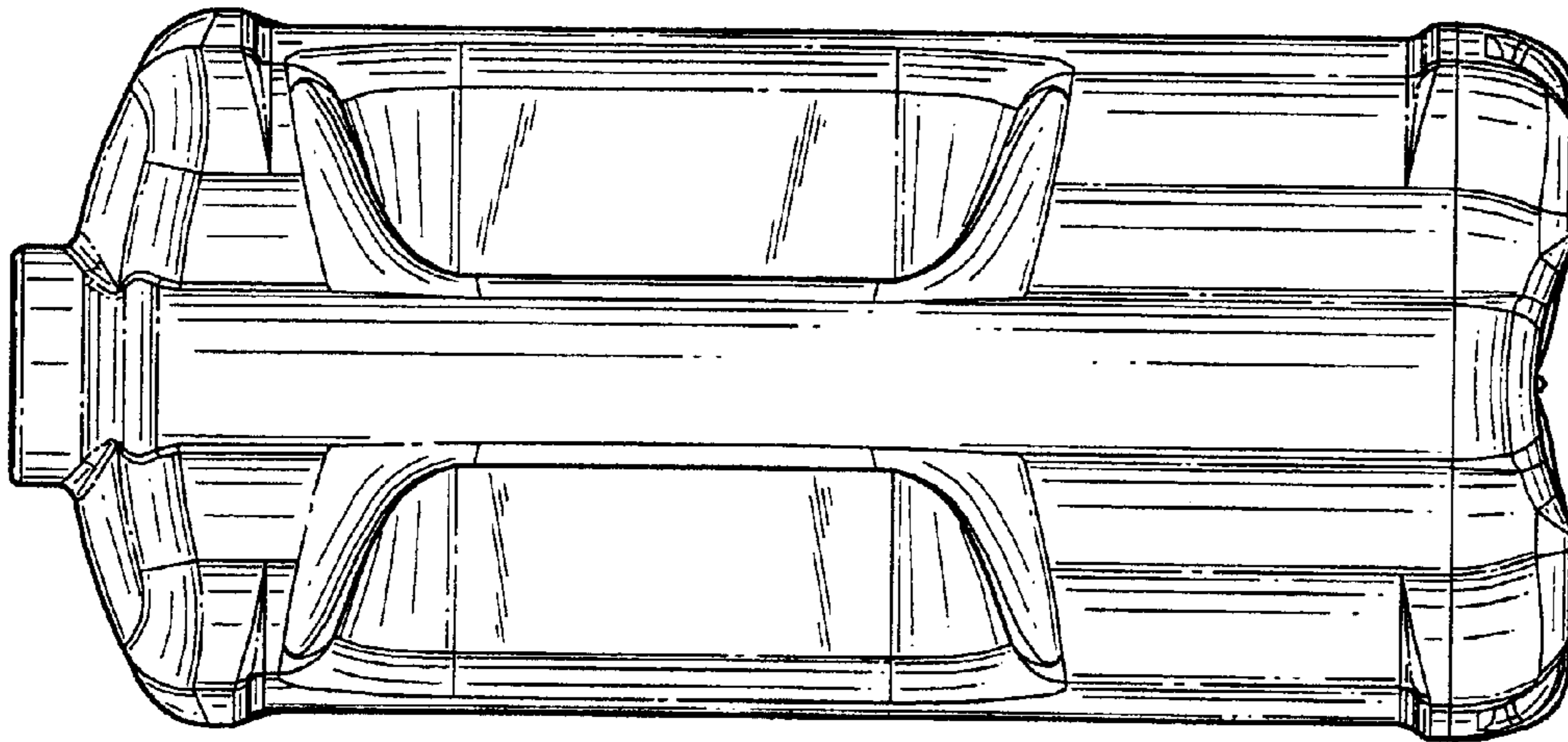


FIG. 3

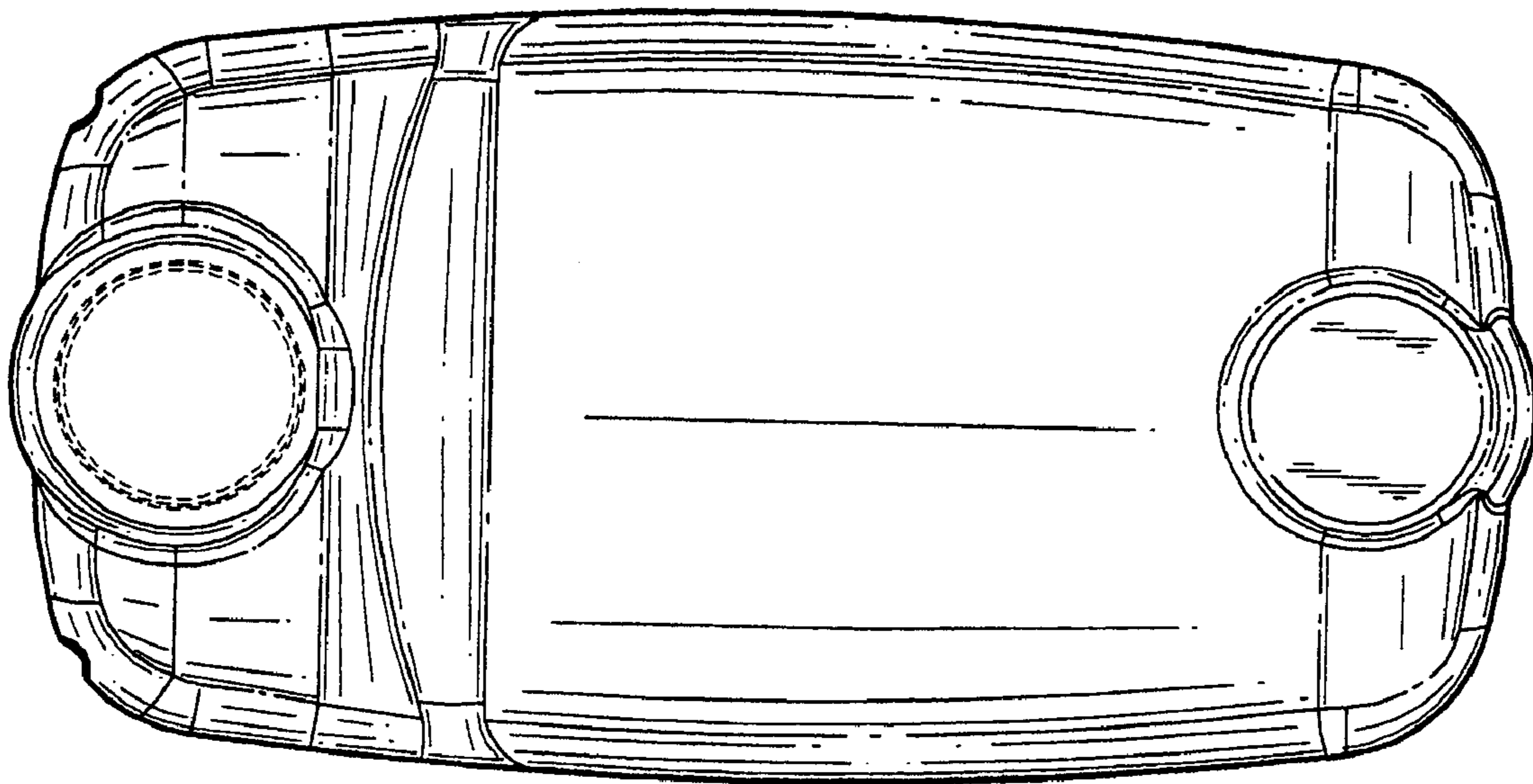


FIG. 5

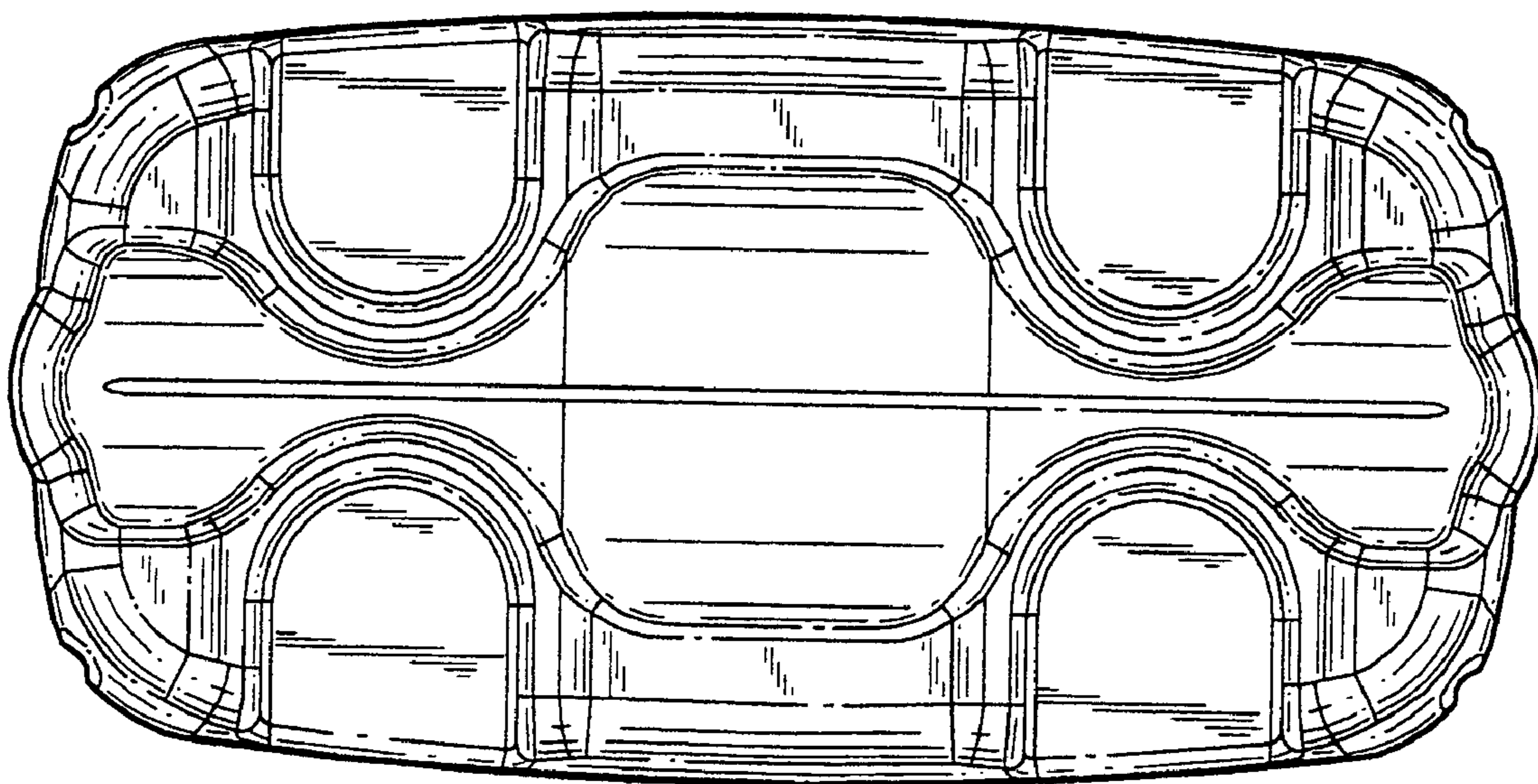


FIG. 6

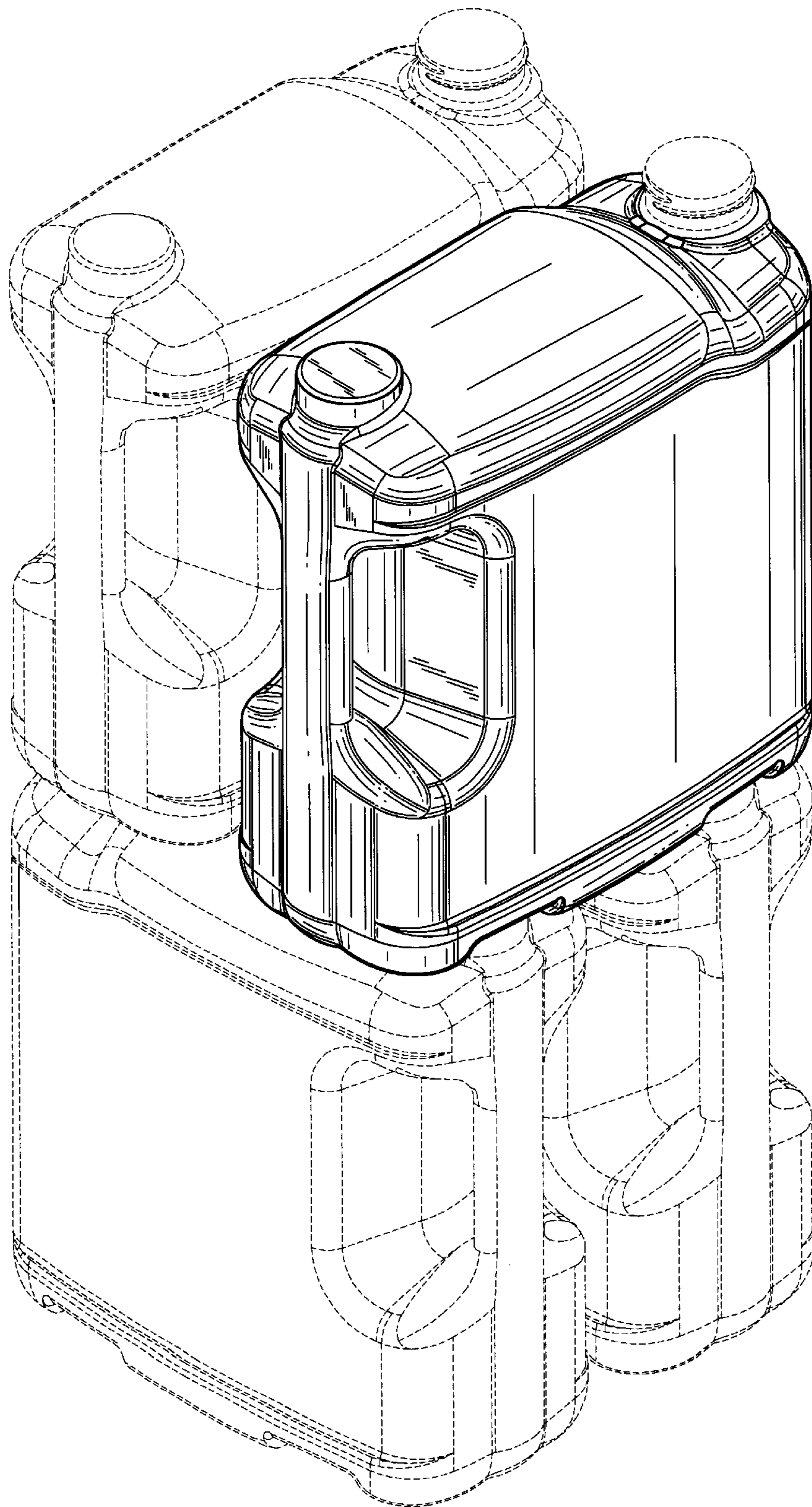


FIG. 7