



US00D527638S

(12) **United States Design Patent** (10) **Patent No.:** **US D527,638 S**
Stolle (45) **Date of Patent:** **** Sep. 5, 2006**

(54) **BOTTLE**

(75) Inventor: **Jens Stolle**, Crailsheim (DE)

(73) Assignee: **SHB GmbH & Co. KG**, Crailsheim (DE)

(**) Term: **14 Years**

(21) Appl. No.: **29/212,915**

(22) Filed: **Sep. 10, 2004**

(30) **Foreign Application Priority Data**

Mar. 11, 2004 (EP) 000145446

(51) **LOC (8) Cl.** **09-01**

(52) **U.S. Cl.** **D9/522; D9/529; D9/551**

(58) **Field of Classification Search** D9/516,
D9/522, 529, 541-542, 550-552, 557, 563-565,
D9/570-571, 574, 723-729, 682, 686-694;
215/12.1-12.2, 13.1, 384; 220/660, 662,
220/669, 675

See application file for complete search history.

(56) **References Cited**

U.S. PATENT DOCUMENTS

D109,928 S * 5/1938 Williams D9/551
3,039,132 A * 6/1962 Coleman 401/220
D216,096 S * 11/1969 Lawton D9/551 X
D352,243 S * 11/1994 Lecoule D9/529
D407,316 S * 3/1999 Zaksenberg D9/529 X
D414,423 S * 9/1999 Lerolle D9/529

D434,272 S * 11/2000 Johansen et al. D7/396.6
D443,824 S * 6/2001 Farris D9/529
D448,998 S * 10/2001 Farris D9/522
D475,298 S * 6/2003 Corrigan et al. D9/529
D476,573 S * 7/2003 Diets D9/529
D480,113 S * 9/2003 Hanson et al. D20/28
D482,286 S * 11/2003 Samson et al. D9/522
D484,402 S * 12/2003 Crawford D9/693
D513,992 S * 1/2006 Boyd D9/529

FOREIGN PATENT DOCUMENTS

EM 000269667-0001 * 12/2004
EM 000333430-0001 * 4/2005

* cited by examiner

Primary Examiner—Carol Rademaker

(74) *Attorney, Agent, or Firm*—Venable LLP; Robert Kinberg; Manni Li

(57) **CLAIM**

The ornamental design for a bottle, as shown and described.

DESCRIPTION

FIG. 1 is a perspective view from the front-top left side of the bottle showing our new design;

FIG. 2 is a front view of the design shown in FIG. 1;

FIG. 3 is a rear view of the design shown in FIG. 1;

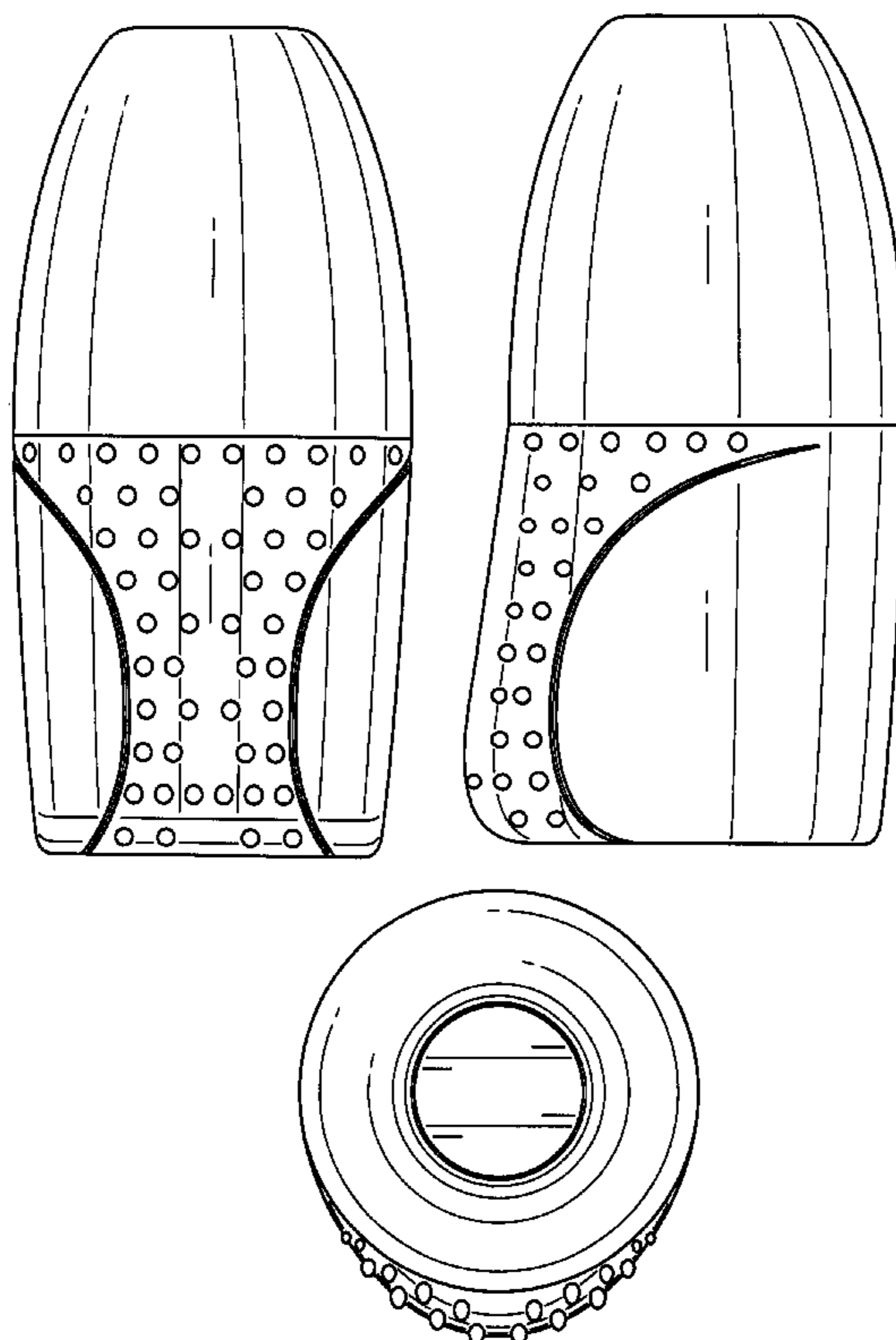
FIG. 4 is a right side view of the design shown in FIG. 1;

FIG. 5 is a left side view of the design shown in FIG. 1;

FIG. 6 is a top view of the design shown in FIG. 1; and,

FIG. 7 is a bottom view of the design shown in FIG. 1.

1 Claim, 7 Drawing Sheets



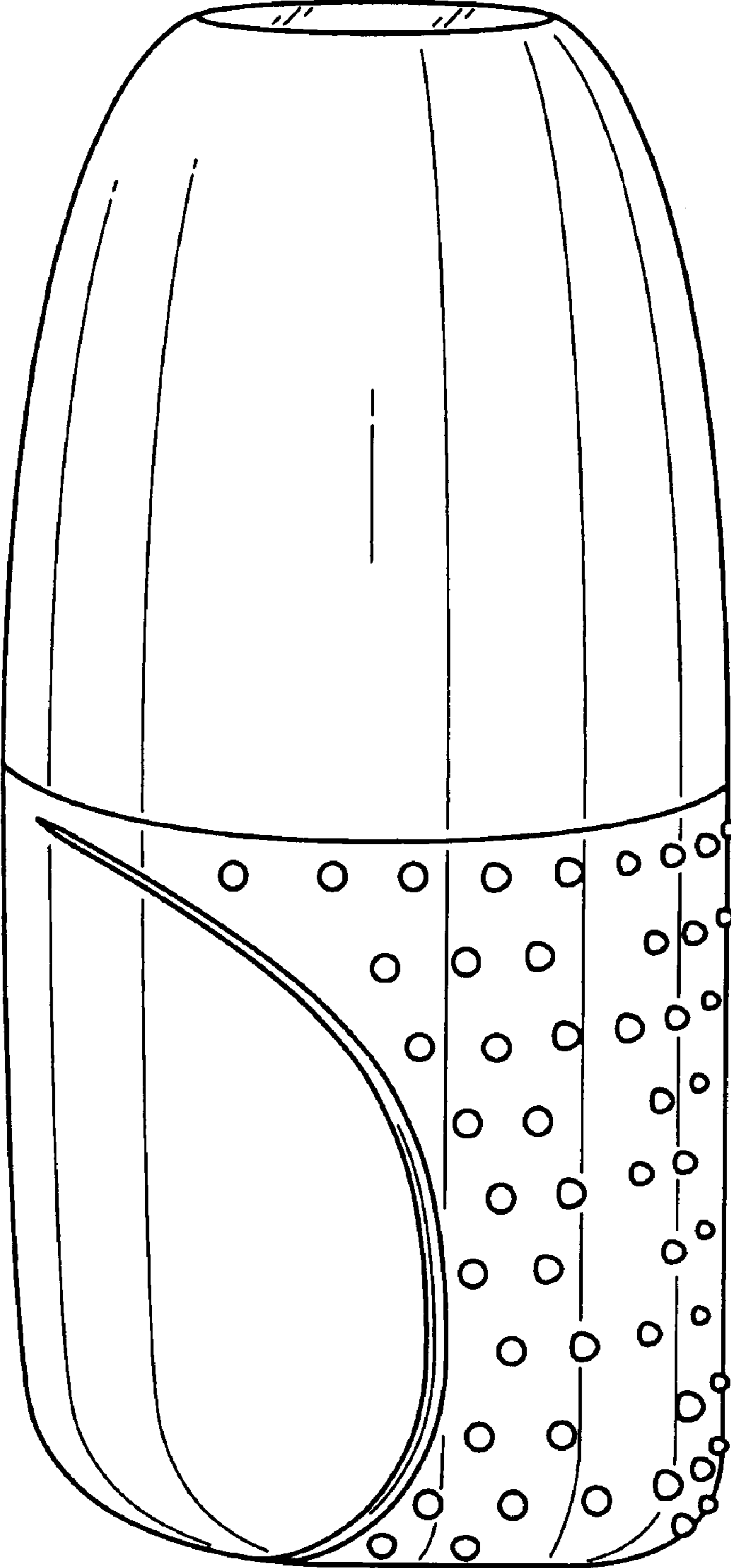


FIG. 1

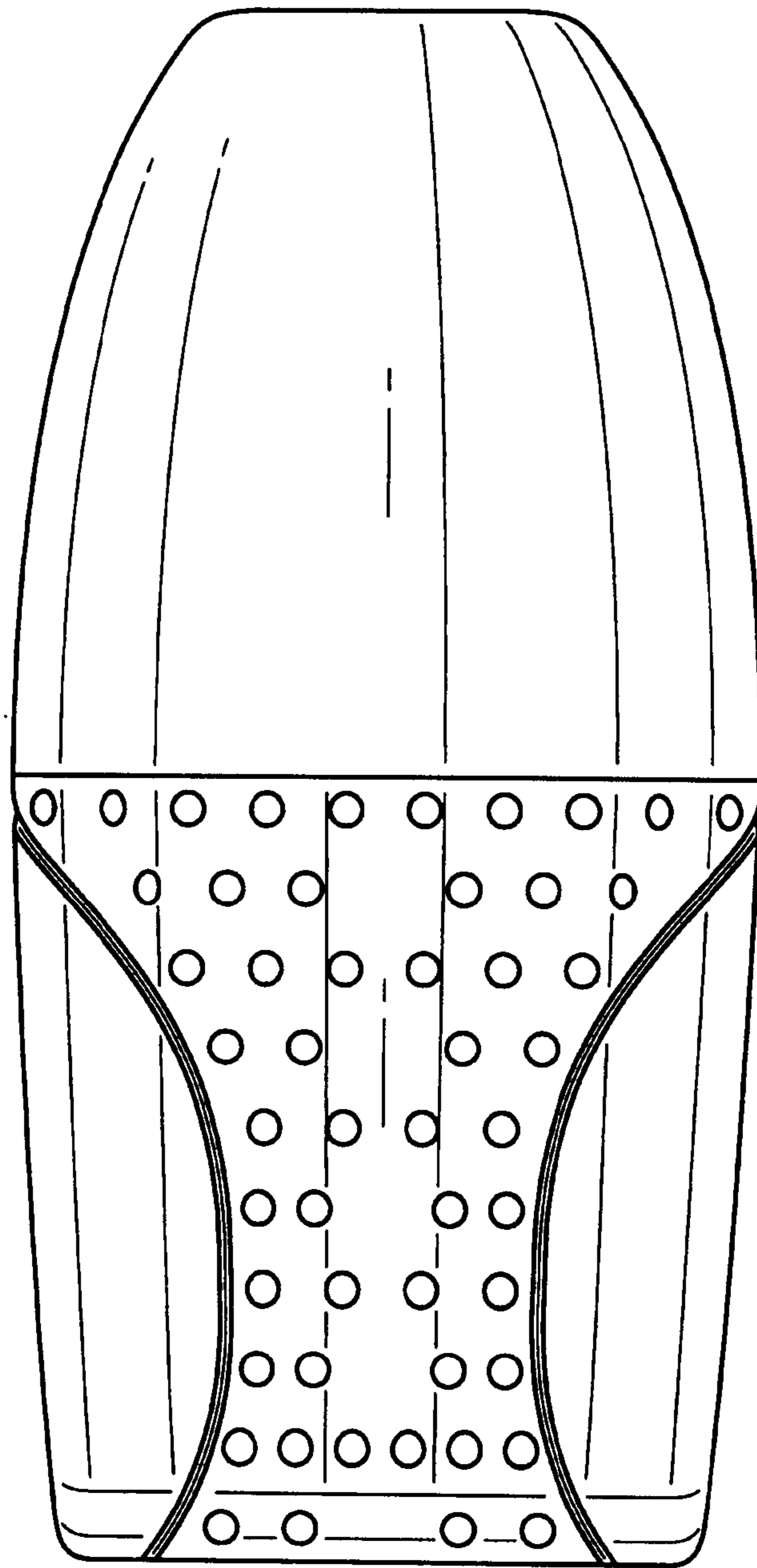


FIG. 2

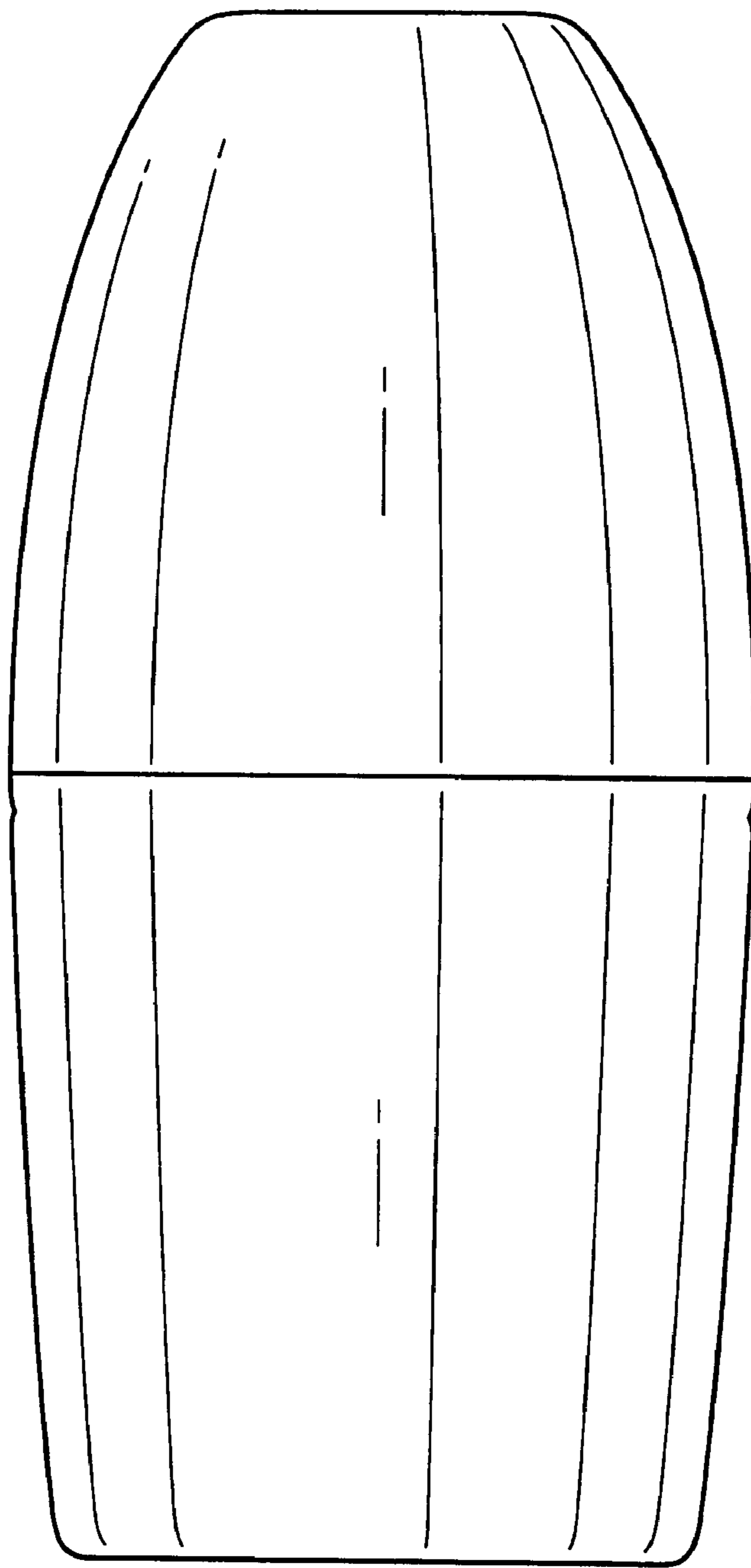


FIG. 3

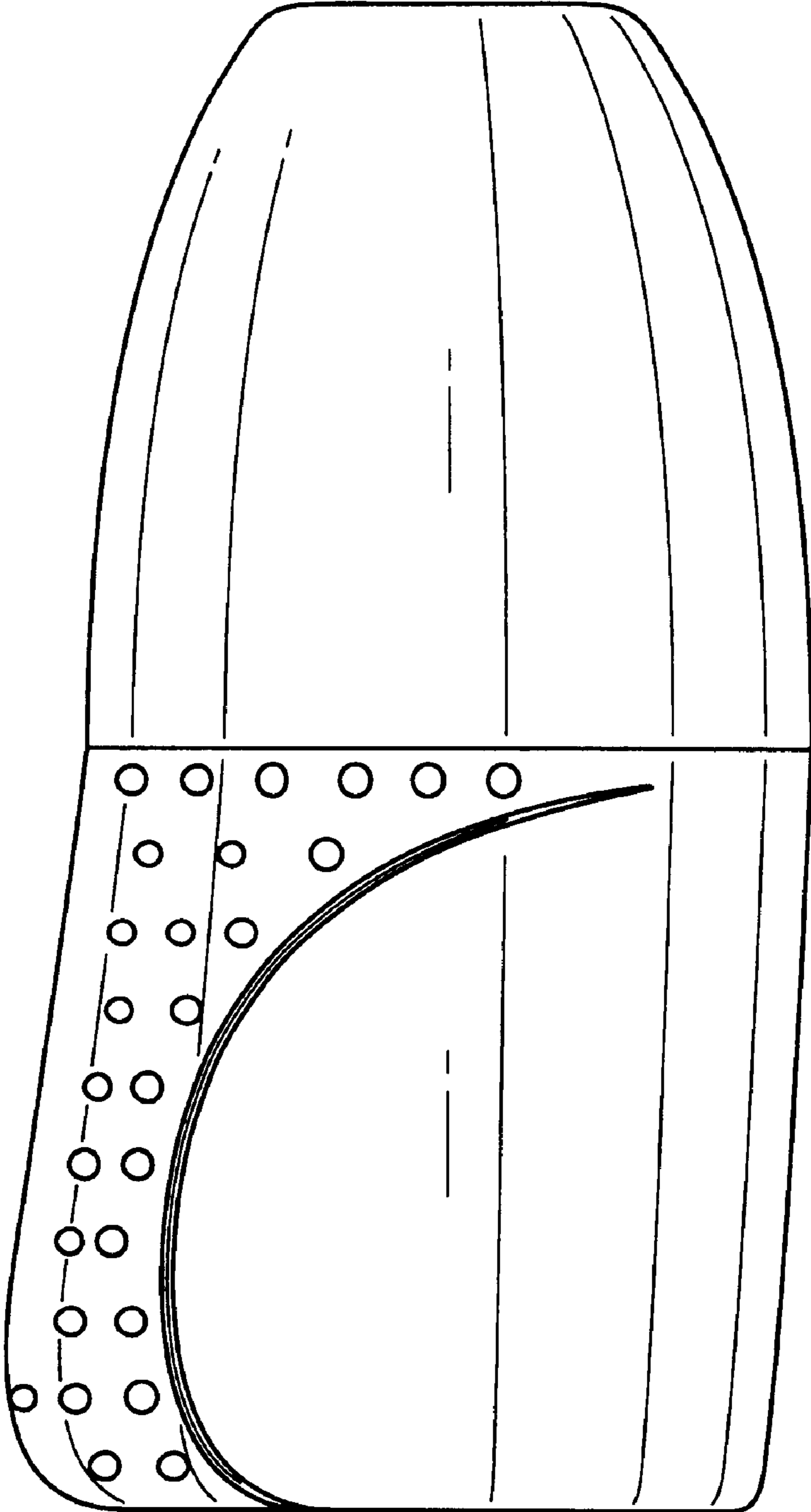


FIG. 4

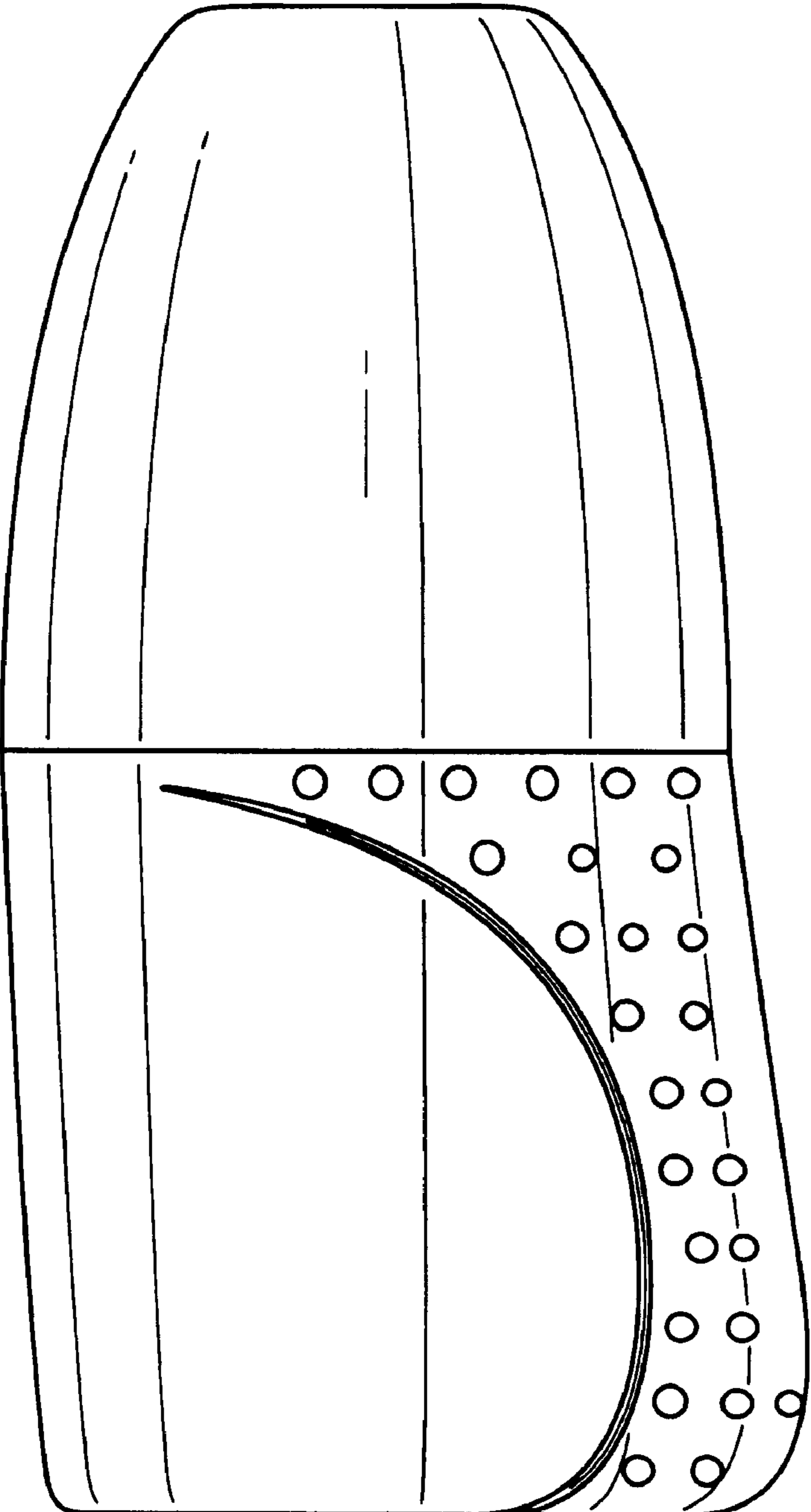


FIG. 5

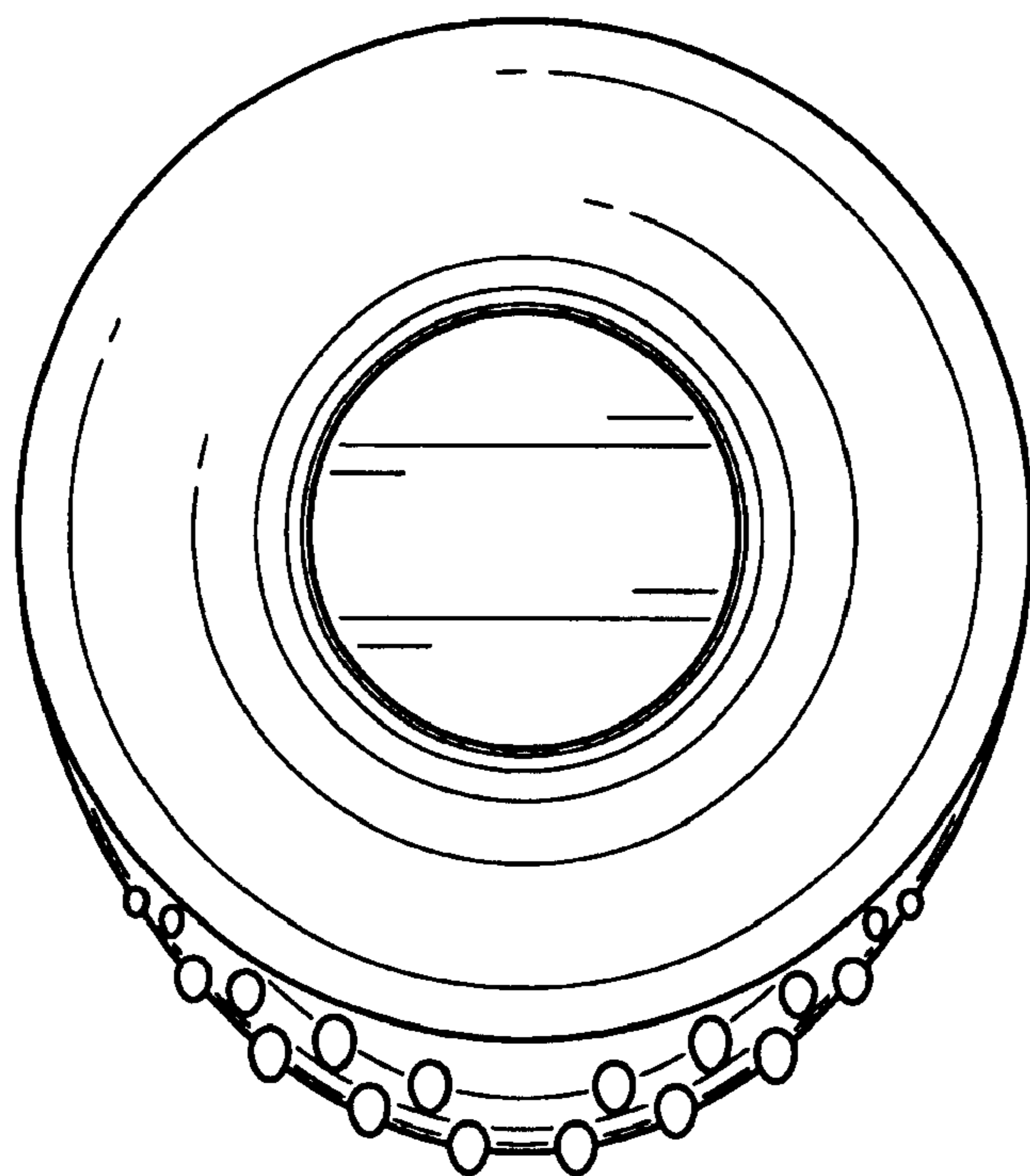


FIG. 6

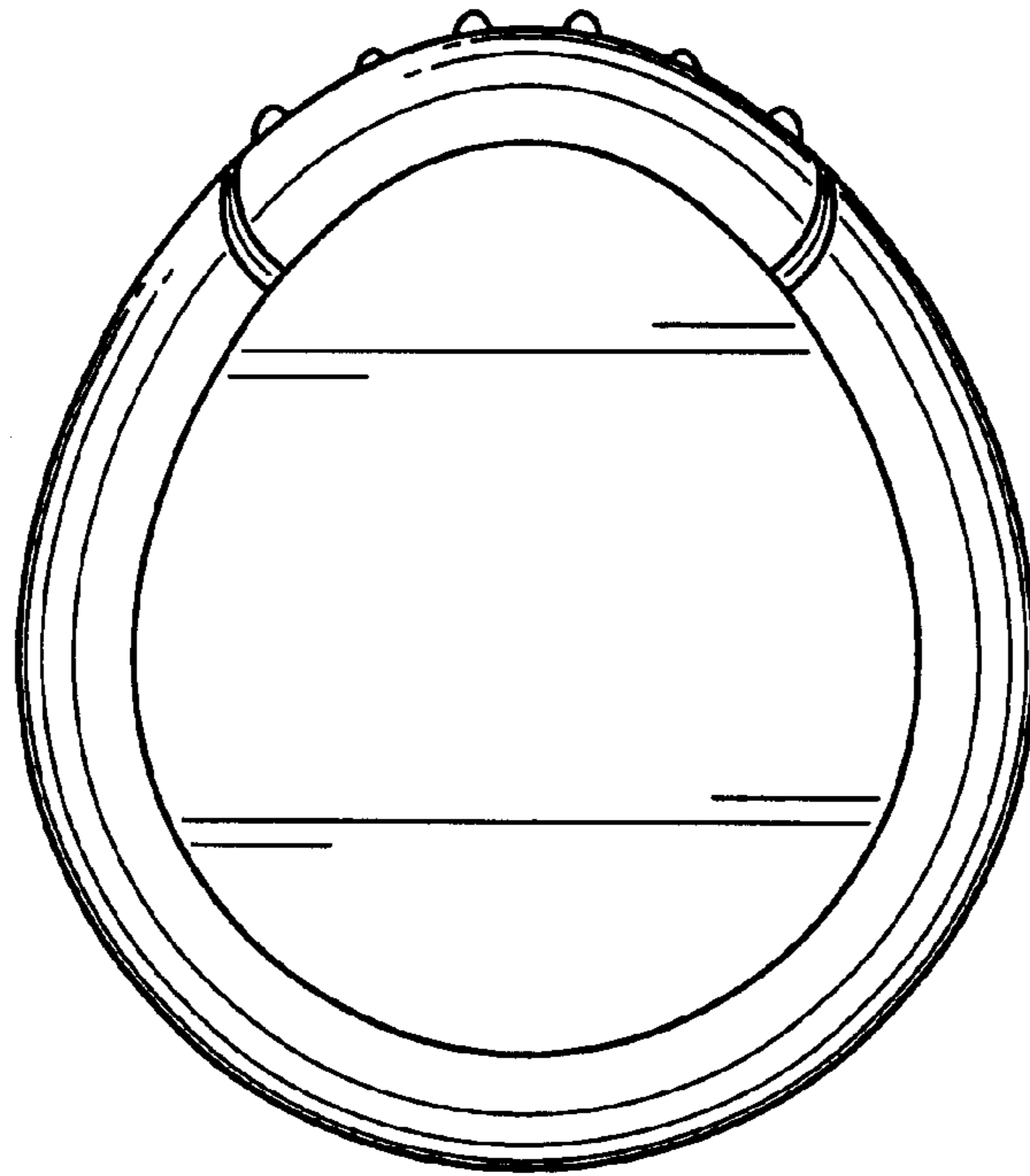


FIG. 7