



US00D527635S

(12) **United States Design Patent** (10) **Patent No.:** **US D527,635 S**
Zboch et al. (45) **Date of Patent:** **** Sep. 5, 2006**

(54) **BOTTLE PORTION** D398,855 S * 9/1998 Ito D9/537
D412,085 S * 7/1999 Roush et al. D7/396.2
D414,112 S 9/1999 Waggaman et al.
D415,413 S * 10/1999 Cummings D9/693
D417,156 S 11/1999 Veysiere
D430,036 S 8/2000 Steward et al.
D432,018 S 10/2000 Steward
D434,272 S * 11/2000 Johansen et al. D7/396.6
D447,061 S 8/2001 Peck
D463,292 S 9/2002 Del Bianco
D494,473 S * 8/2004 Yourist D9/516

(75) Inventors: **Gerald Zboch**, Barrington, IL (US);
Tracy M. Momany, Sylvania, OH
(US); **Robert J. Groll**, Oregon, OH
(US)

(73) Assignee: **Stokely-Van Camp, Inc**, Chicago, IL
(US)

(**) Term: **14 Years**

FOREIGN PATENT DOCUMENTS

(21) Appl. No.: **29/239,597** JP 1021603 7/1998
(22) Filed: **Sep. 30, 2005** WO DM M9805557.7 11/1998
WO DM/047535 * 3/1999
WO DM/052622 * 6/2000
WO DM/059103 * 4/2001
WO DM/062865 * 1/2003

Related U.S. Application Data

(60) Continuation of application No. 29/222,485, filed on Jan. 31, 2005, now abandoned, which is a division of application No. 29/190,385, filed on Sep. 19, 2003, now Pat. No. Des. 506,138.

(51) **LOC (8) Cl.** **09-01**
(52) **U.S. Cl.** **D9/516; D9/552; D9/556**
(58) **Field of Classification Search** D9/500,
D9/502, 516, 537-541, 549-554, 556-558,
D9/560, 563-567, 569-570, 574-575, 636,
D9/643, 645, 655, 657-658, 661, 664-665;
215/382-384, 396, 398, 400

See application file for complete search history.

* cited by examiner

Primary Examiner—Carol Rademaker
(74) *Attorney, Agent, or Firm*—Goodwin Procter LLP

(57) **CLAIM**

The ornamental design for a bottle portion, as shown and described.

DESCRIPTION

FIG. 1 is a perspective view showing the new design for a bottle portion;
FIG. 2 is a front elevation view thereof, the rear elevational view being identical except for the unclaimed thread;
FIG. 3 is a left side elevation view thereof, the right side elevational view being identical except for the unclaimed thread; and,
FIG. 4 is a bottom plan view thereof.
The broken lines shown in FIGS. 1-4 are for illustrative purposes only and form no part of the claimed design.

(56) **References Cited**

U.S. PATENT DOCUMENTS

D67,464 S 6/1925 Johnson
D96,106 S 7/1935 Fuerst
D104,342 S * 5/1937 Duncan, III et al. D7/529
D111,212 S * 9/1938 Meyer D9/552
D179,173 S * 11/1956 Wilson D9/552
D188,133 S 6/1960 Bindman
D188,138 S * 6/1960 Bindman D9/552
D393,802 S * 4/1998 Collette et al. D9/502

1 Claim, 4 Drawing Sheets

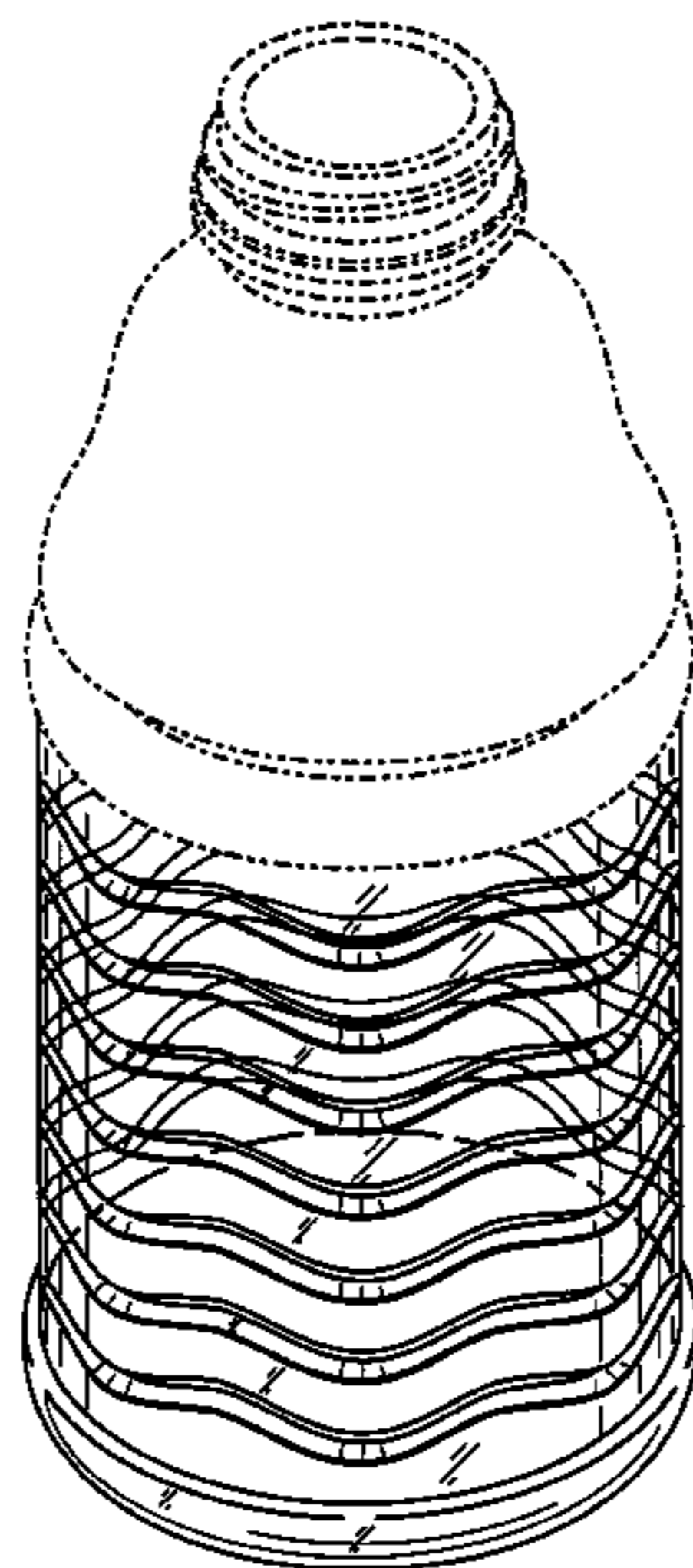


Fig. 1

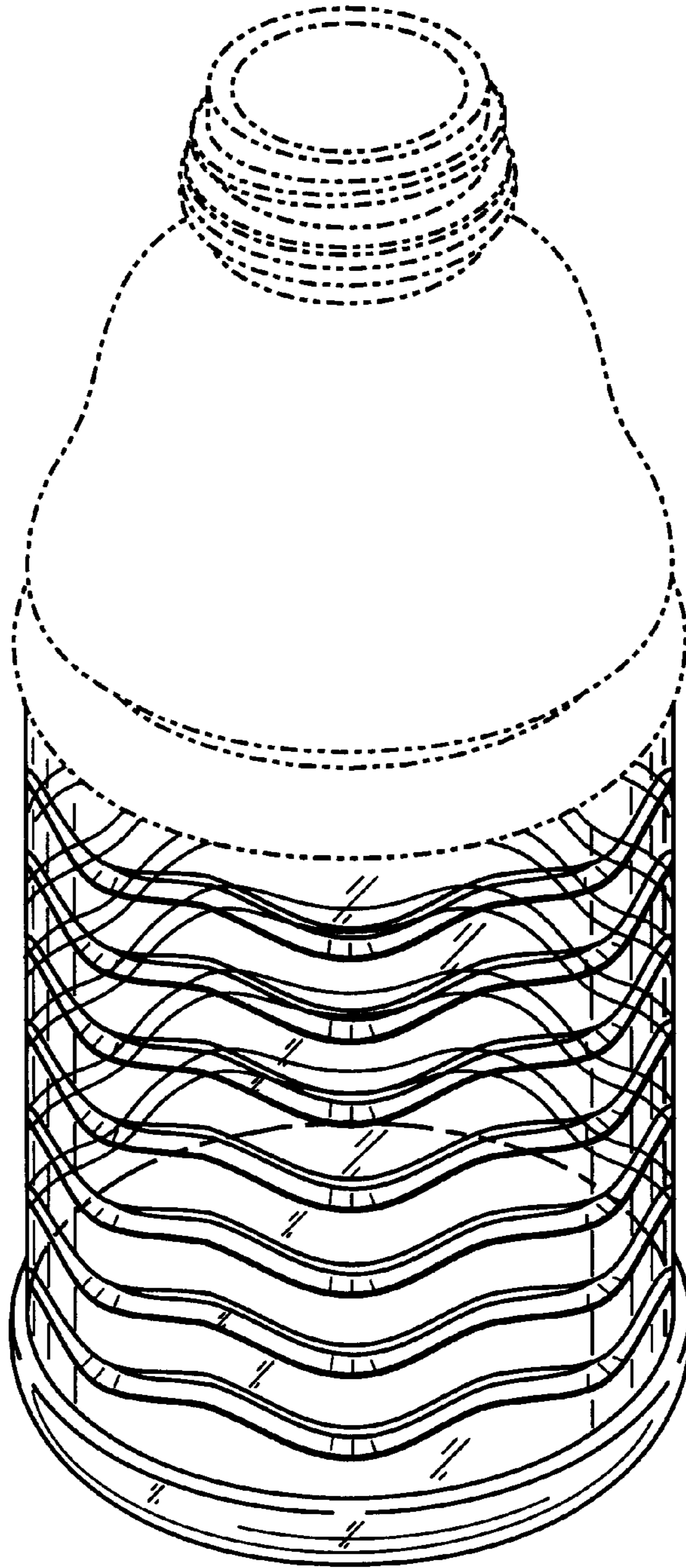


Fig. 2

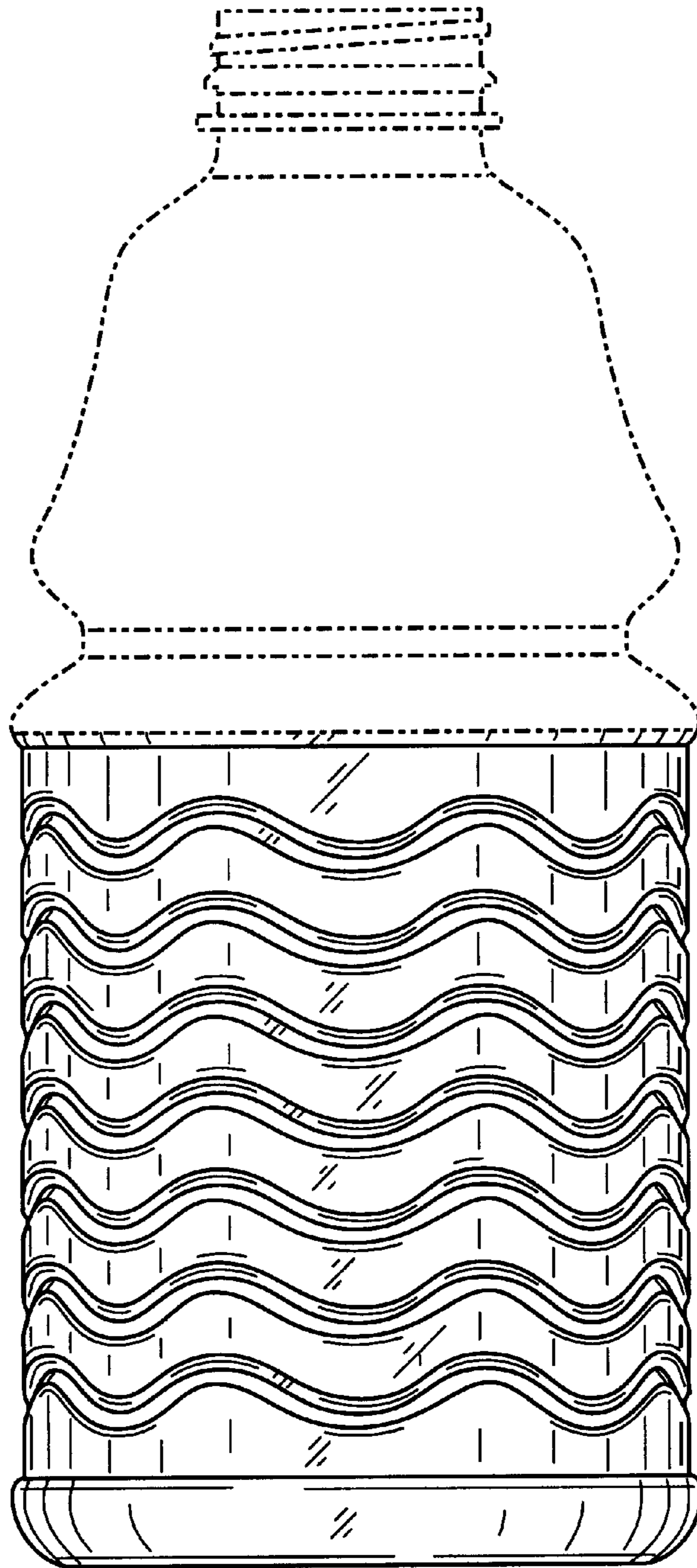


Fig. 3

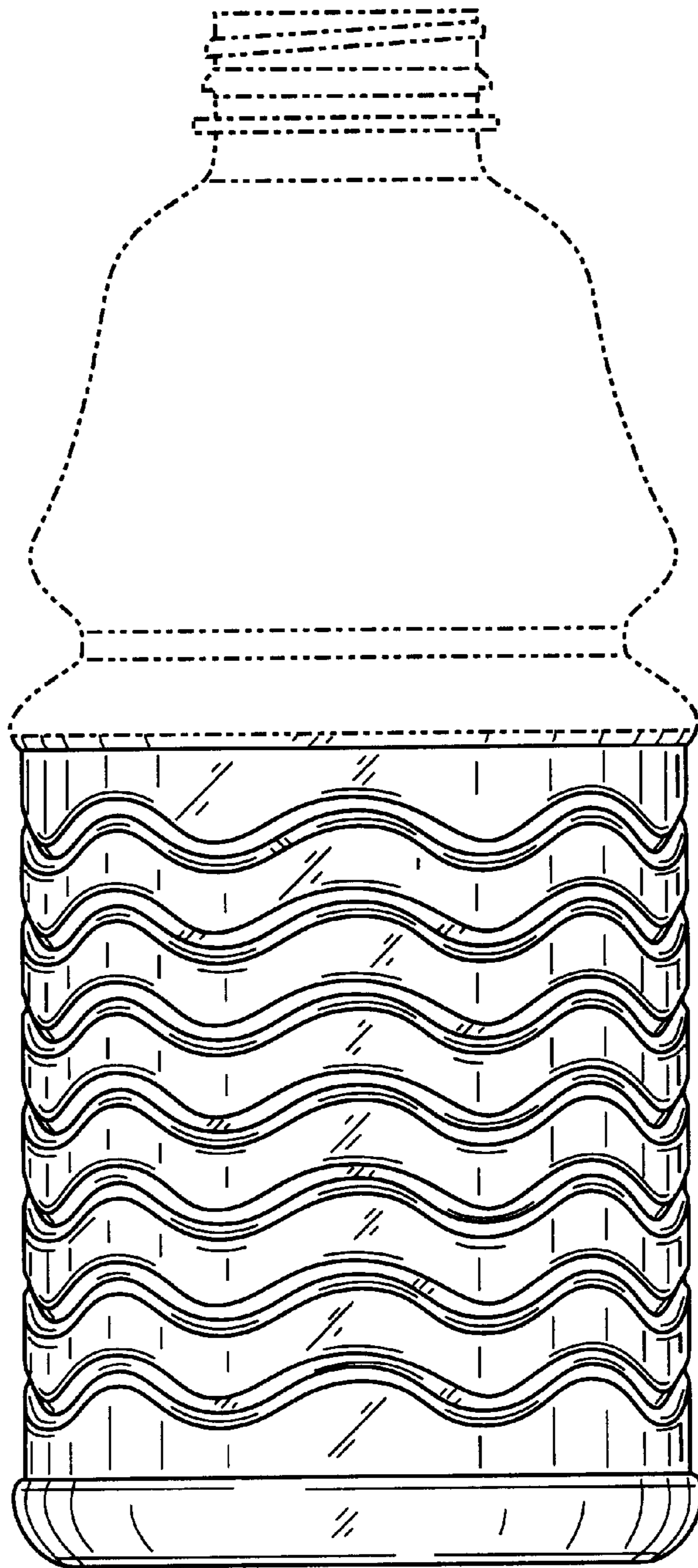


Fig. 4

