



US00D527634S

(12) **United States Design Patent** (10) **Patent No.:** **US D527,634 S**
Liebers (45) **Date of Patent:** **** Sep. 5, 2006**

(54) **HANGER FOR EYEGLASSES CASE**

(75) Inventor: **Steven B. Liebers**, Norristown, PA (US)

(73) Assignee: **Diversified Products, Inc.**, Collegeville, PA (US)

(**) Term: **14 Years**

(21) Appl. No.: **29/207,823**

(22) Filed: **Jun. 18, 2004**

(51) **LOC (8) Cl.** **09-03**

(52) **U.S. Cl.** **D9/457**

(58) **Field of Classification Search** D9/457, D9/456, 455, 451, 433, 432, 424, 418, 415; D20/42, 40, 22; 40/789, 787, 124.11, 124.01; 206/775, 769, 763, 760, 703, 6.1, 5, 462, 206/461, 440, 395, 391, 349, 225

See application file for complete search history.

(56) **References Cited**

U.S. PATENT DOCUMENTS

3,884,443	A	5/1975	McMaster	
D308,080	S	* 5/1990	Sachs	D20/22
5,046,696	A	9/1991	Lee	
5,484,056	A	1/1996	Wood	
D381,046	S	* 7/1997	Hiers et al.	D20/22
5,672,238	A	9/1997	Samuelson	
5,699,907	A	* 12/1997	Langenstuck	206/349
5,823,503	A	10/1998	Wasserman	
RE36,258	E	7/1999	Coward et al.	
D431,460	S	* 10/2000	Nichol	D9/415
D478,510	S	* 8/2003	Kumakura	D9/457
D497,800	S	* 11/2004	Trettin	D9/415
2003/0062277	A1	* 4/2003	Chen	206/349
2004/0099553	A1	* 5/2004	Chen	206/349

OTHER PUBLICATIONS

Five (5) photographs (identified as Sheets 1 through 5) of the "Slim-Line Ultra-Thin Readers" packaging (undated).

* cited by examiner

Primary Examiner—Robert M. Spear

Assistant Examiner—Susan Bennett Hattan

(74) *Attorney, Agent, or Firm*—Caesar, Rivise, Bernstein, Cohen & Pokotilow, Ltd.

(57) **CLAIM**

The ornamental design for a hanger for eyeglasses case, as shown and described.

DESCRIPTION

FIG. 1 is a front view of a hanger for eyeglasses case in accordance my design, shown in an installed position on the case;

FIG. 2 is a rear view of the hanger for eyeglasses case of FIG. 1, shown in an installed position on the case;

FIG. 3 is a side view of the hanger for eyeglasses case of FIG. 1, shown in an installed position on the case;

FIG. 4 is a top view of the hanger for eyeglasses case of FIG. 1, shown in an installed position on the case;

FIG. 5 is a bottom view of the hanger for eyeglasses case of FIG. 1, shown in an installed position on the case;

FIG. 6 is a front view of the hanger for eyeglasses case of FIG. 1, shown prior to installation on a case;

FIG. 7 is a rear view of the hanger for eyeglasses case of FIG. 1, shown prior to installation on a case;

FIG. 8 is a side view of the hanger for eyeglasses case of FIG. 1, shown prior to installation on a case;

FIG. 9 is a top view of the hanger for eyeglasses case of FIG. 1, shown prior to installation on a case; and,

FIG. 10 is a bottom view of the hanger for eyeglasses case of FIG. 1, shown prior to installation on a case.

The dashed lines shown in the figures represent environmental subject matter and form no part of the claimed design.

1 Claim, 2 Drawing Sheets

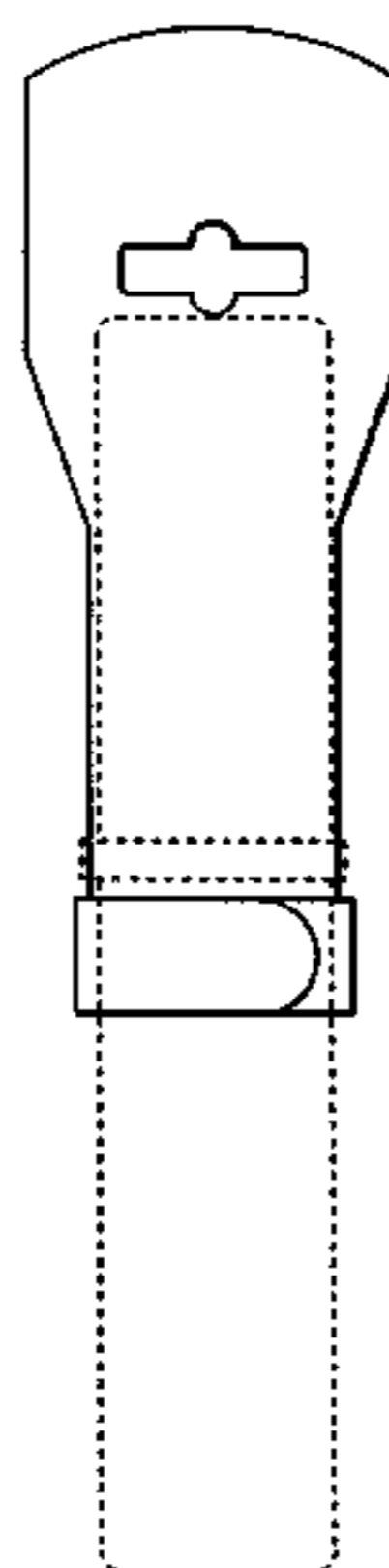


FIG.1

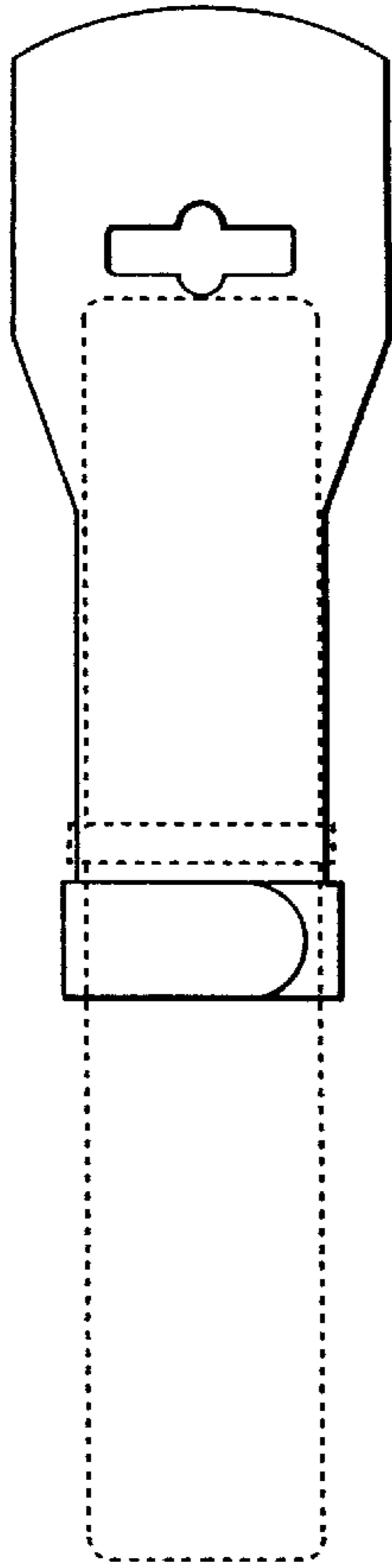


FIG.2

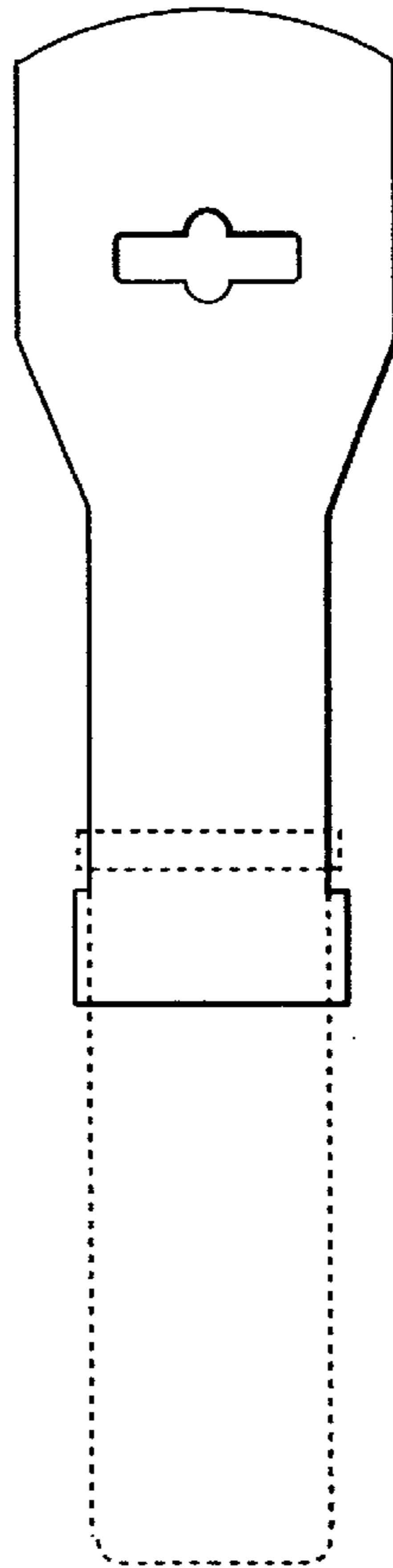


FIG.3

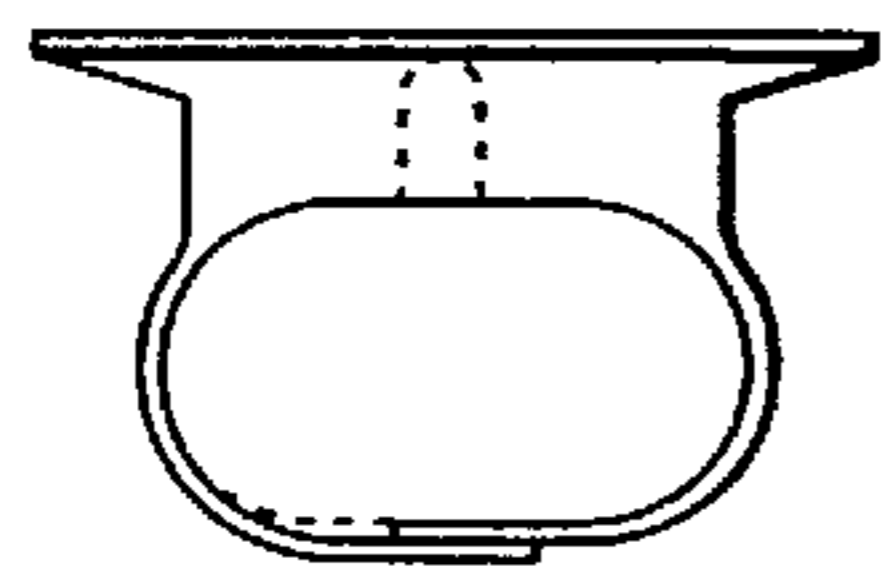
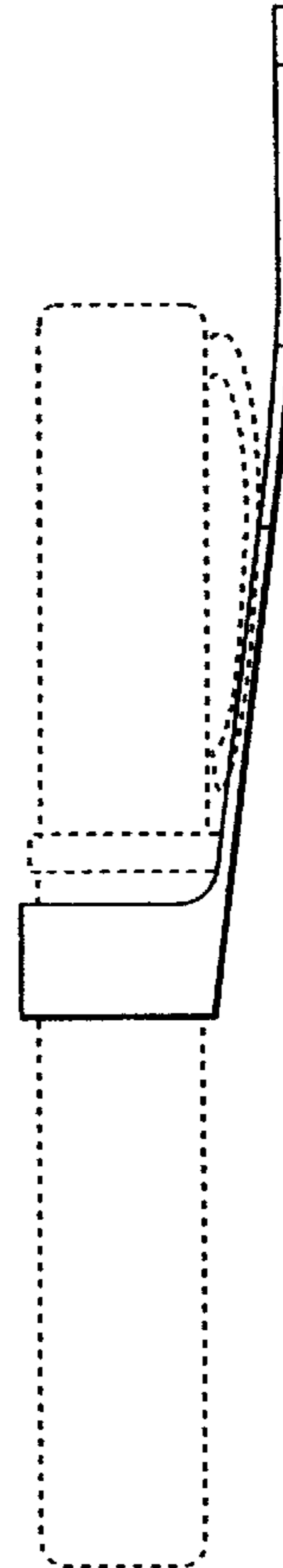


FIG.4

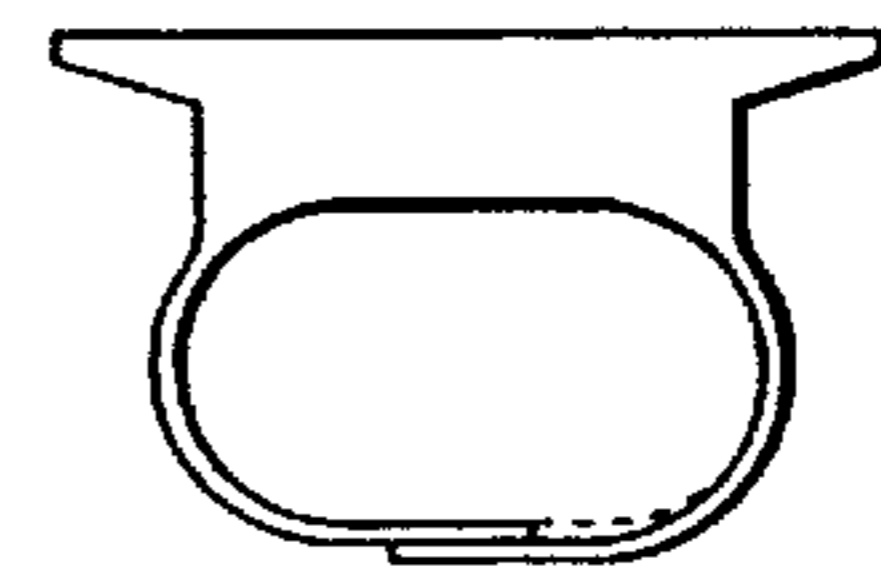


FIG.5

FIG. 6

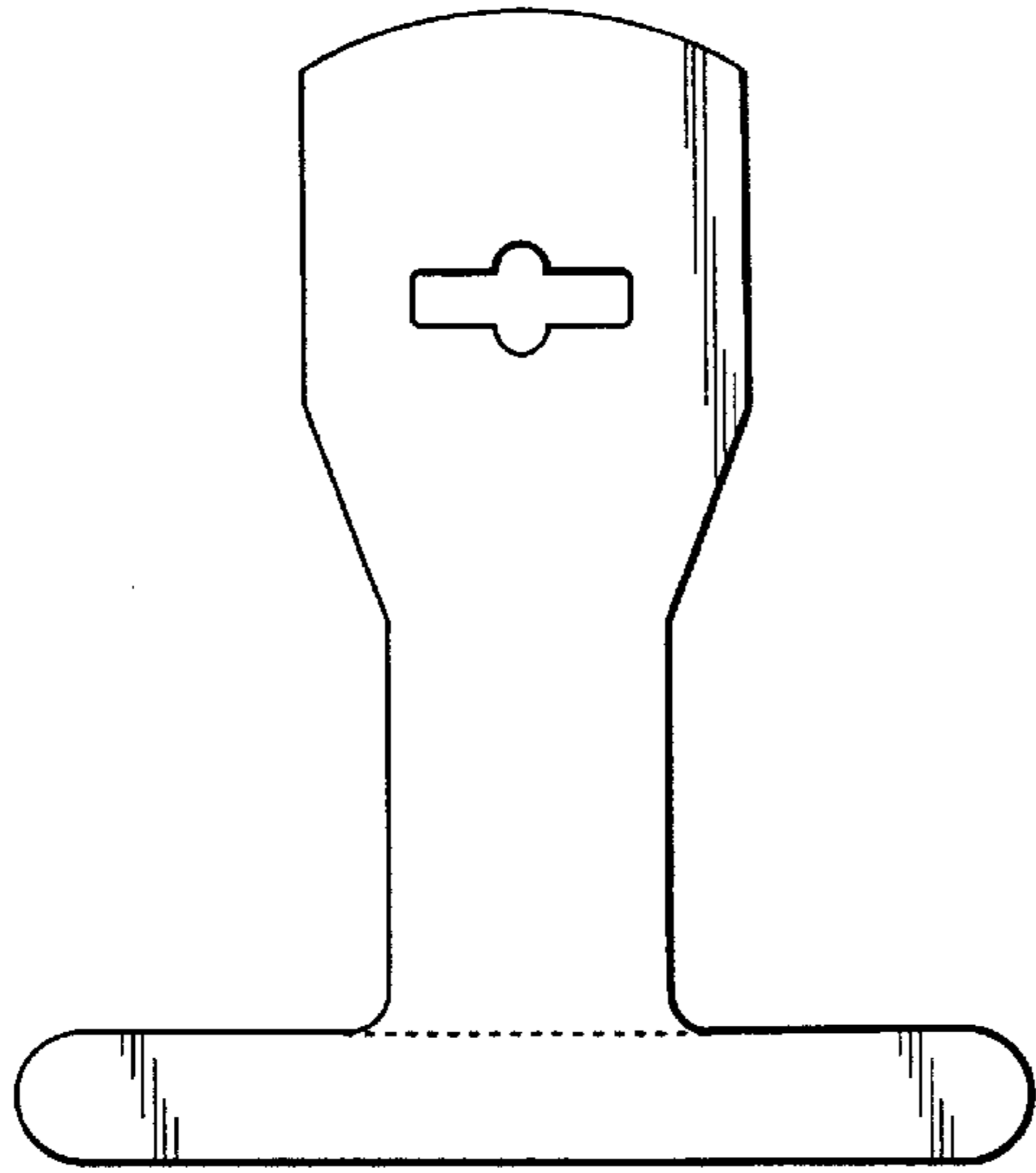


FIG. 7

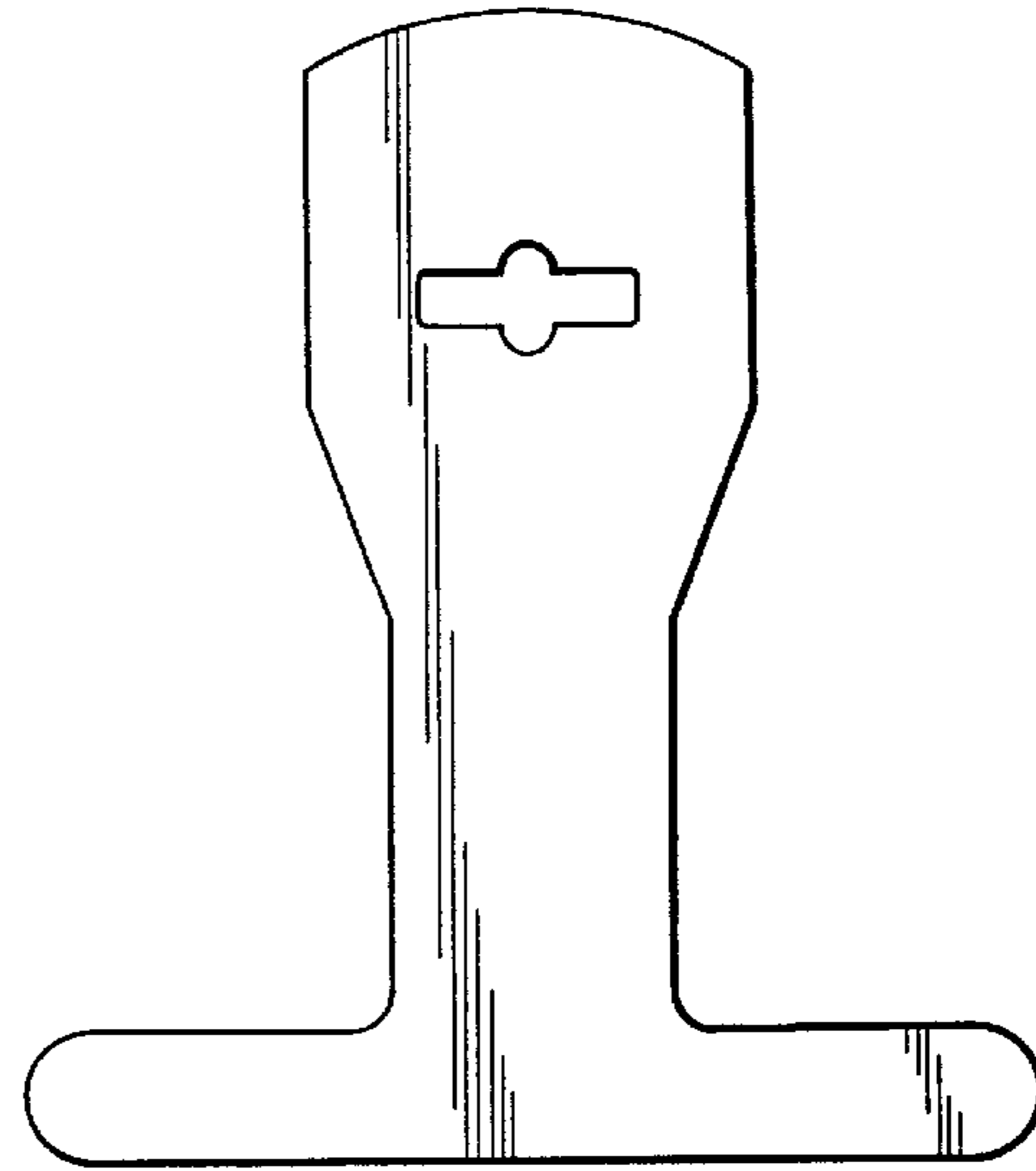


FIG. 8



FIG. 9



FIG. 10

