



US00D527633S

(12) **United States Design Patent**
Stull et al.

(10) **Patent No.: US D527,633 S**
(45) **Date of Patent: ** Sep. 5, 2006**

- (54) **CONTAINER LID**
- (75) Inventors: **Jameson P. Stull**, Far Hills, NJ (US);
Robert T. Auer, East Stroudsburg, PA (US)
- (73) Assignee: **Stull Technologies**, Somerset, NJ (US)
- (**) Term: **14 Years**
- (21) Appl. No.: **29/237,976**
- (22) Filed: **Sep. 8, 2005**

Related U.S. Application Data

- (63) Continuation-in-part of application No. 11/075,788, filed on Mar. 9, 2005, which is a continuation-in-part of application No. 10/810,365, filed on Mar. 26, 2004, now abandoned.
- (51) **LOC (8) Cl.** **09-07**
- (52) **U.S. Cl.** **D9/454**
- (58) **Field of Classification Search** D9/454, D9/447, 445, 444, 443, 440, 439, 435, 434; D7/900, 396.2, 392, 392.1, 391, 510, 511; 220/791, 790, 789, 780, 715, 711, 251, 247, 220/243, 240, 212, 254.5, 264; 222/470, 222/518
See application file for complete search history.

(56) **References Cited**

U.S. PATENT DOCUMENTS

247,547 A	9/1881	Eisemann	
471,911 A	3/1892	Sutro	
D63,273 S	* 11/1923	Switzer D7/392
1,482,931 A	2/1924	Keehn	
2,205,685 A	6/1940	Conner	
2,695,806 A	11/1954	Balint	
3,642,161 A	2/1972	Stroud	
3,688,942 A	9/1972	Mitchell et al.	
3,703,975 A	11/1972	Wittemer	
3,868,041 A	2/1975	Knize	
3,885,712 A	5/1975	Libit 222/153.14
3,964,634 A	6/1976	Jasinski et al.	
4,014,452 A	3/1977	Galer	
4,079,857 A	3/1978	Crisci	

D248,376 S	* 7/1978	Allen et al. D9/454
4,119,239 A	10/1978	Anderson 220/324
4,209,107 A	6/1980	Crisci	
4,210,258 A	7/1980	von Holdt	
4,349,119 A	9/1982	Letica	
4,387,828 A	6/1983	Yates, Jr.	
D270,140 S	* 8/1983	Berglund D9/438
4,480,762 A	11/1984	Thomas	
4,526,289 A	7/1985	Schiemann 220/304
4,579,257 A	4/1986	Brandlein 222/192
4,676,388 A	6/1987	Kuboshima 215/217
4,687,112 A	8/1987	Swartzbaugh	
D291,971 S	* 9/1987	Smith D9/454
4,718,571 A	1/1988	Bordner	
4,752,014 A	6/1988	House et al. 215/216
4,949,865 A	8/1990	Turner 220/713
D311,140 S	* 10/1990	Nelson D9/454

(Continued)

FOREIGN PATENT DOCUMENTS

WO WO 91/02685 3/1991

Primary Examiner—Robert M. Spear
Assistant Examiner—Susan Bennett-Hattan
(74) *Attorney, Agent, or Firm*—Drinker Biddle & Reath LLP

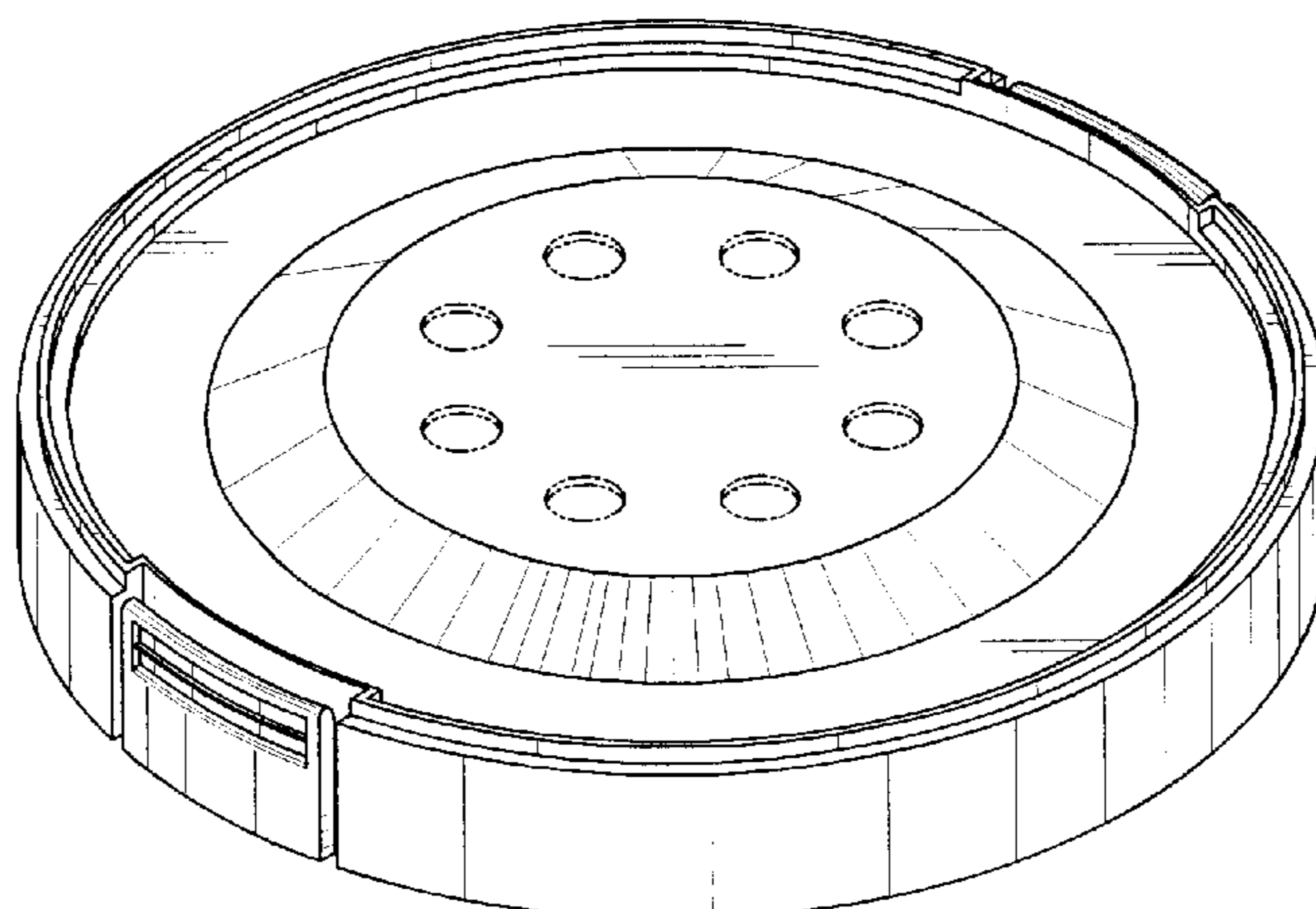
(57) **CLAIM**

The ornamental design for a container lid, as shown and described.

DESCRIPTION

FIG. 1 is an isometric view of a container lid showing our new design.
FIG. 2 is a top view of the container lid of FIG. 1.
FIG. 3 is a bottom view of the container lid of FIG. 1.
FIG. 4 is a front view of the container lid of FIG. 1, the rear view being identical; and,
FIG. 5 is a right side view of the container lid of FIG. 1, the left side view being identical.
The portions of the drawings appearing in broken line are for environment only and do not form a part of the claim.

1 Claim, 3 Drawing Sheets



U.S. PATENT DOCUMENTS

5,042,683 A	8/1991	Shaw et al.	5,927,526 A	7/1999	Herr
5,232,116 A	8/1993	Baxter	6,036,036 A	3/2000	Bilani et al.
5,292,017 A	3/1994	Reifers	6,056,138 A	5/2000	Chen
5,310,981 A	5/1994	Samoff et al. 219/731	6,202,869 B1	3/2001	Sullivan
5,375,730 A	12/1994	Bahr et al. 220/324	6,296,130 B1	10/2001	Forsyth et al.
5,449,077 A	9/1995	Seidler	6,364,152 B1	4/2002	Poslinski et al.
5,603,421 A	2/1997	Opresco	6,431,385 B1	8/2002	Palmer 220/324
5,706,963 A	1/1998	Gargione	6,439,409 B1	8/2002	Dressel et al.
5,769,258 A	6/1998	Harrison et al. 220/203.1	6,460,716 B1	10/2002	Wong
5,865,330 A	2/1999	Buono	6,575,323 B1	6/2003	Martin et al.
5,881,907 A	3/1999	Schutz	6,612,450 B1	9/2003	Buono 215/228
5,908,125 A	6/1999	Opresco 215/216	2003/0085227 A1	5/2003	Azzarello

* cited by examiner

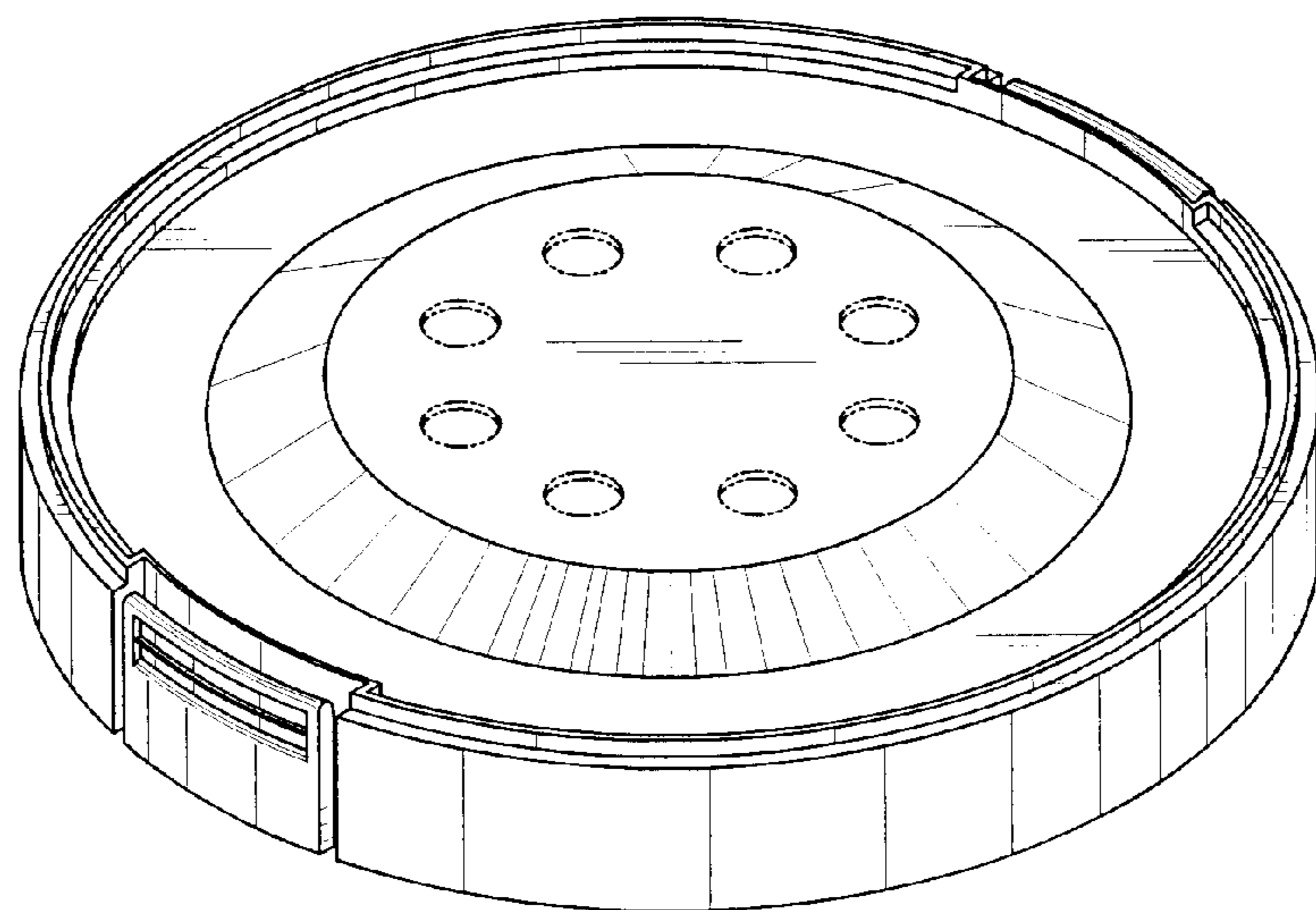


FIG. 1

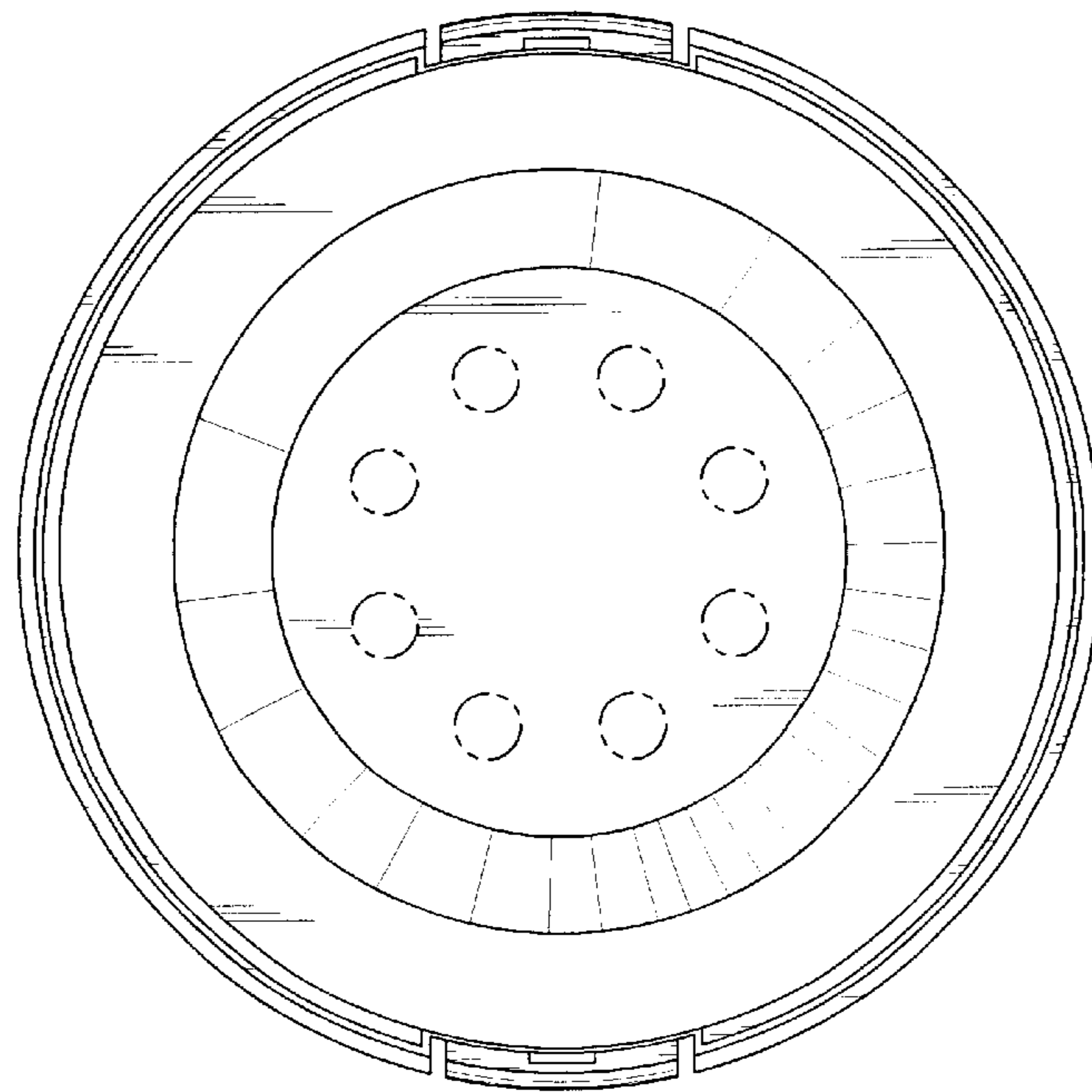


FIG. 2

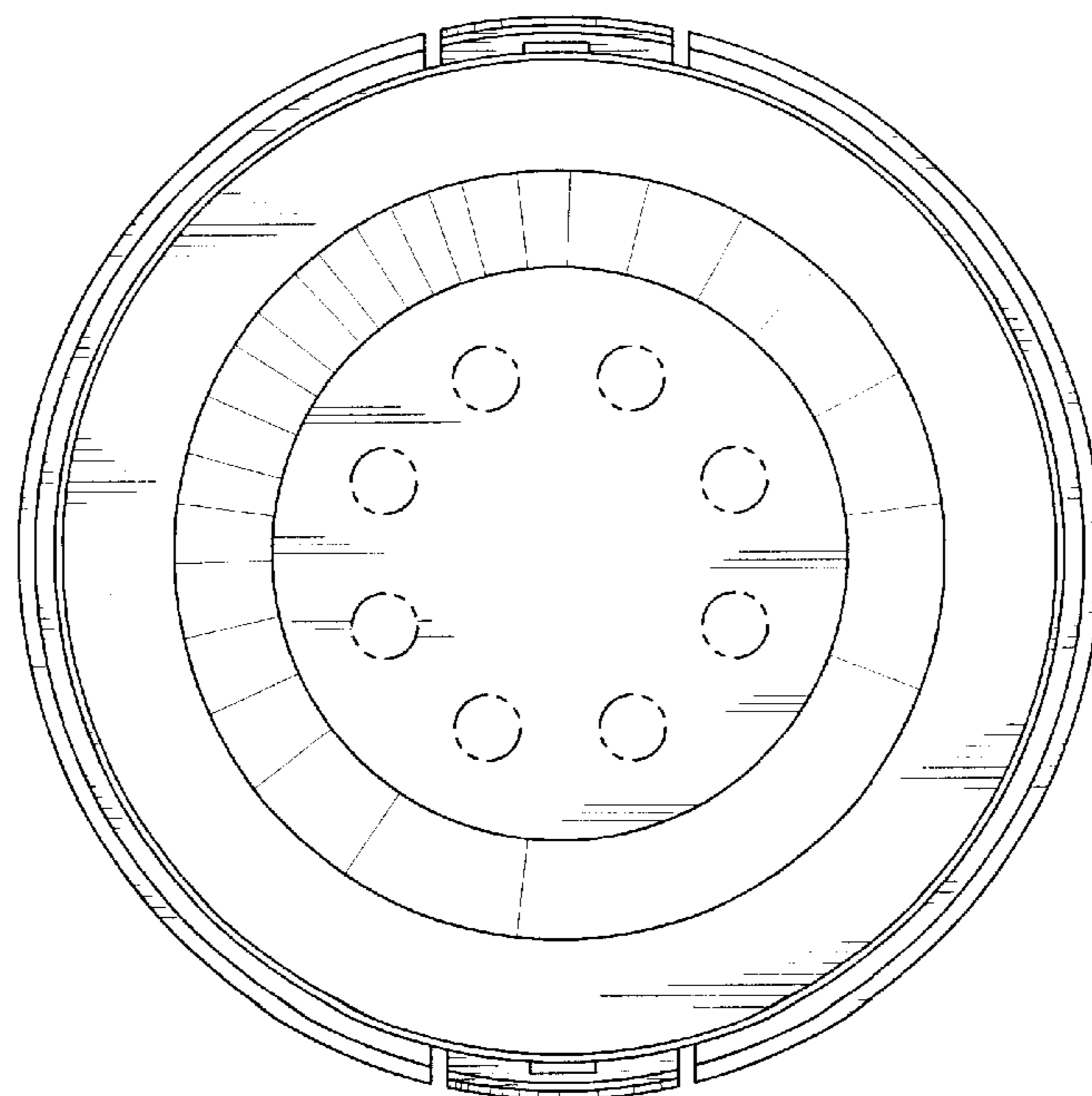


FIG. 3

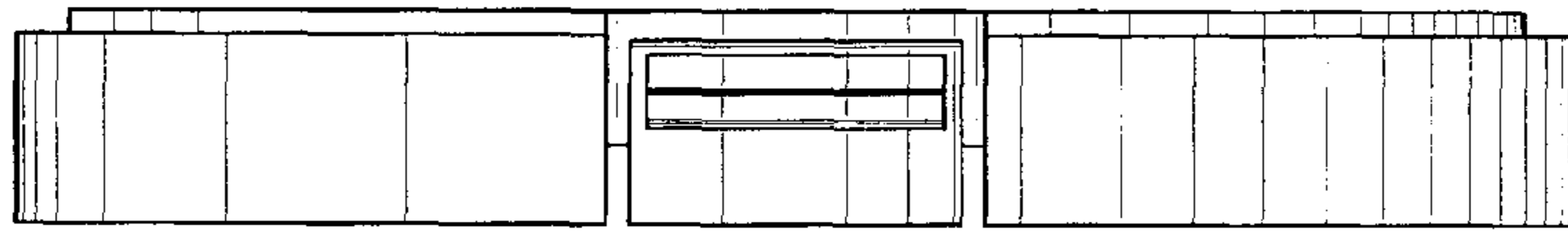


FIG. 4

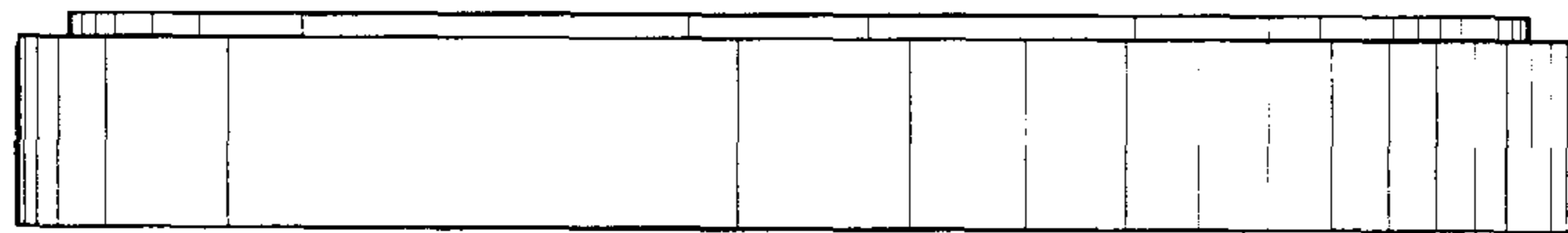


FIG. 5