



US00D527632S

(12) **United States Design Patent**  
**Römer**

(10) **Patent No.:** **US D527,632 S**

(45) **Date of Patent:** **\*\* Sep. 5, 2006**

(54) **CLOSURE CAP**

(75) Inventor: **Frank Römer**, Finnentrop (DE)

(73) Assignee: **Georg Menshen GmbH & Co. KG.**,  
Finnentrop (DE)

(\*\*) Term: **14 Years**

(21) Appl. No.: **29/214,198**

(22) Filed: **Sep. 30, 2004**

(30) **Foreign Application Priority Data**

Apr. 1, 2004 (EM) ..... 000160239

(51) **LOC (8) Cl.** ..... **09-07**

(52) **U.S. Cl.** ..... **D9/453**

(58) **Field of Classification Search** ..... D9/453,  
D9/449, 447, 446, 440, 435, 434; D6/542;  
D19/66; D24/130; 222/562, 556; 220/288,  
220/259.3; 215/237, 235, 230, 228

See application file for complete search history.

(56) **References Cited**

**U.S. PATENT DOCUMENTS**

- 5,544,768 A \* 8/1996 Gargione ..... D9/453
- D442,090 S \* 5/2001 Jackson et al. .... D9/453
- D444,065 S \* 6/2001 Crawford et al. .... D9/453
- D449,783 S \* 10/2001 Crawford et al. .... D9/453

- D453,109 S \* 1/2002 Piquet ..... D9/453
- 6,523,709 B1 \* 2/2003 Miceli et al. .... 215/228
- D475,924 S \* 6/2003 Haffner ..... D9/453
- D492,596 S \* 7/2004 Miceli et al. .... D9/435

\* cited by examiner

*Primary Examiner*—Robert M. Spear

*Assistant Examiner*—Susan Bennett Hattan

(74) *Attorney, Agent, or Firm*—Birch, Stewart, Kolasch &  
Birch, LLP

(57) **CLAIM**

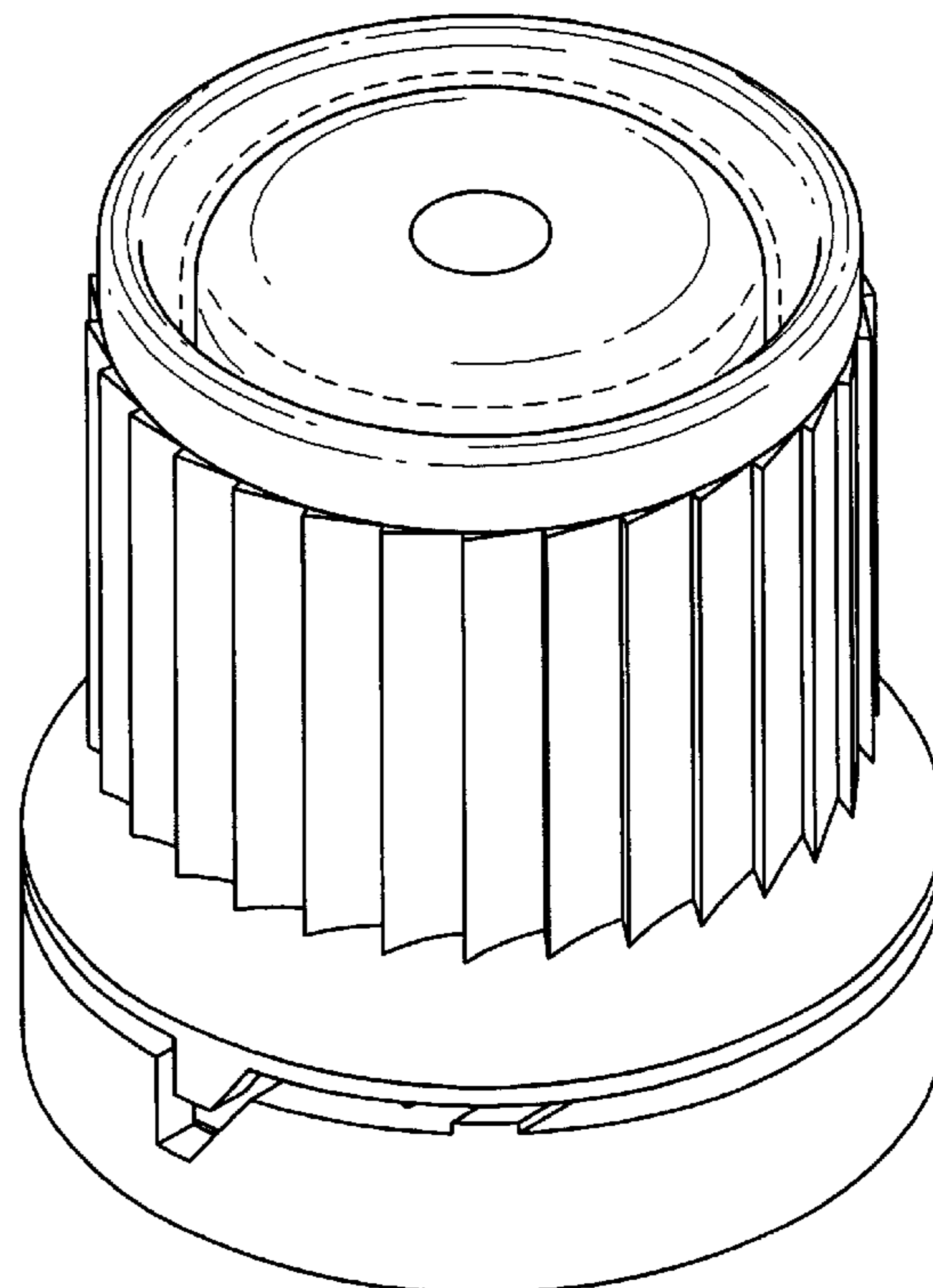
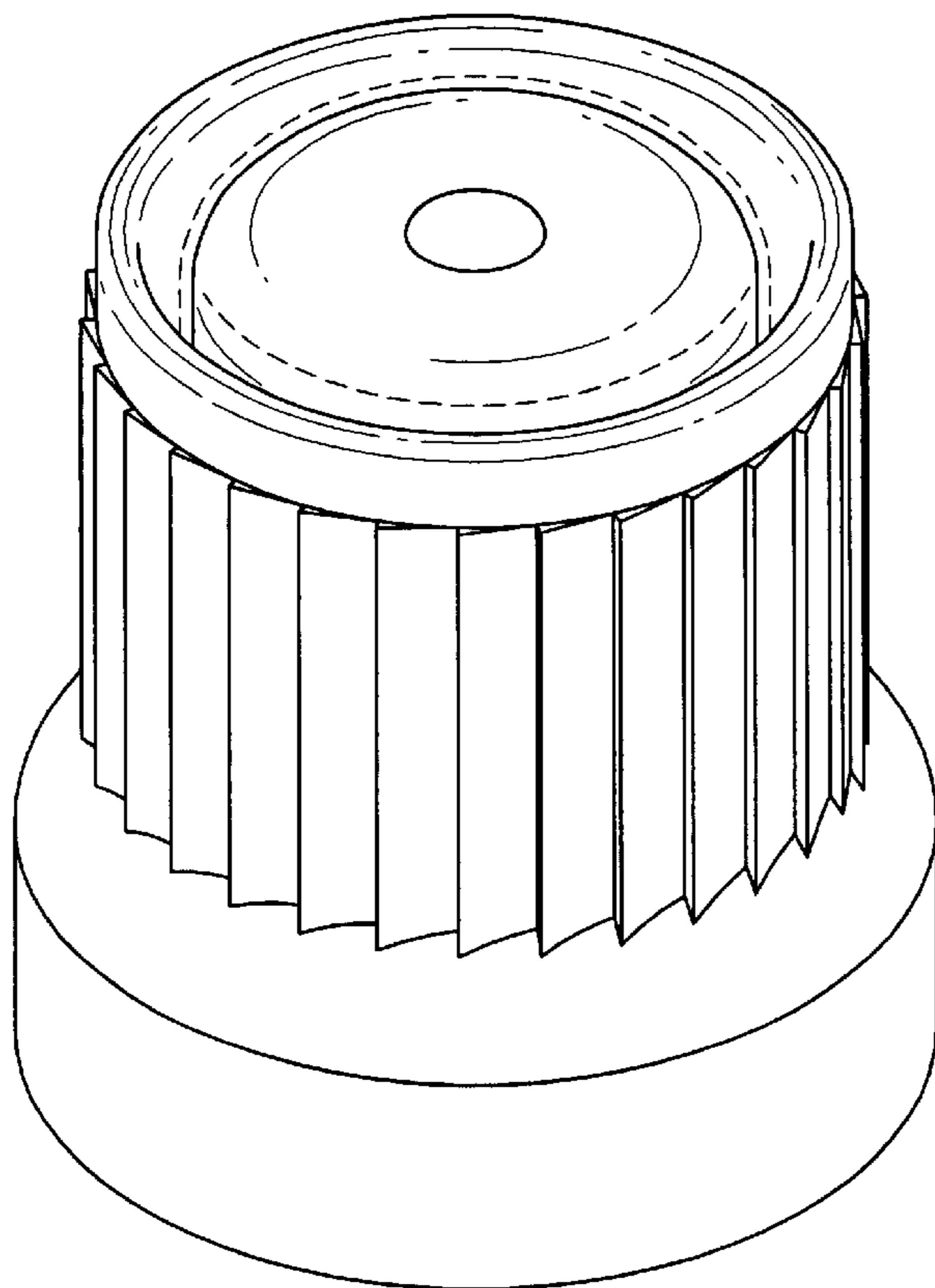
The ornamental designs for a closure cap, as shown and described.

**DESCRIPTION**

FIG. 1 is a perspective view of a first embodiment of the closure cap showing my new design;  
 FIG. 2 is a bottom view thereof;  
 FIG. 3 is a side view thereof;  
 FIG. 4 is a top view thereof;  
 FIG. 5 is a perspective view of a second embodiment of the closure cap showing my new design;  
 FIG. 6 is a bottom view thereof;  
 FIG. 7 is a side view thereof; and,  
 FIG. 8 is a top view thereof.

The broken line showings are for illustrative purposes only and form no part of the claimed design.

**1 Claim, 4 Drawing Sheets**



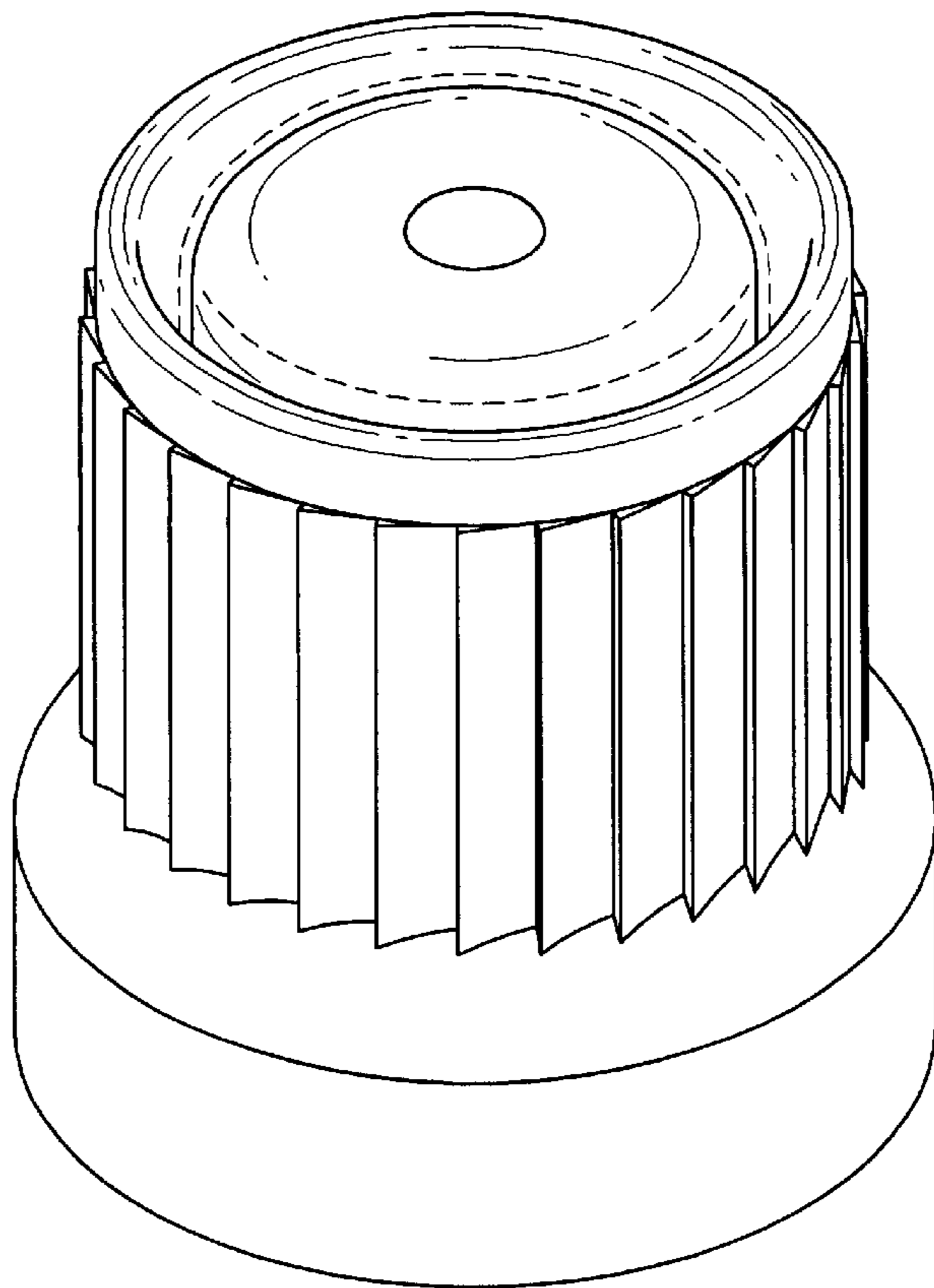


FIG.1

FIG.2

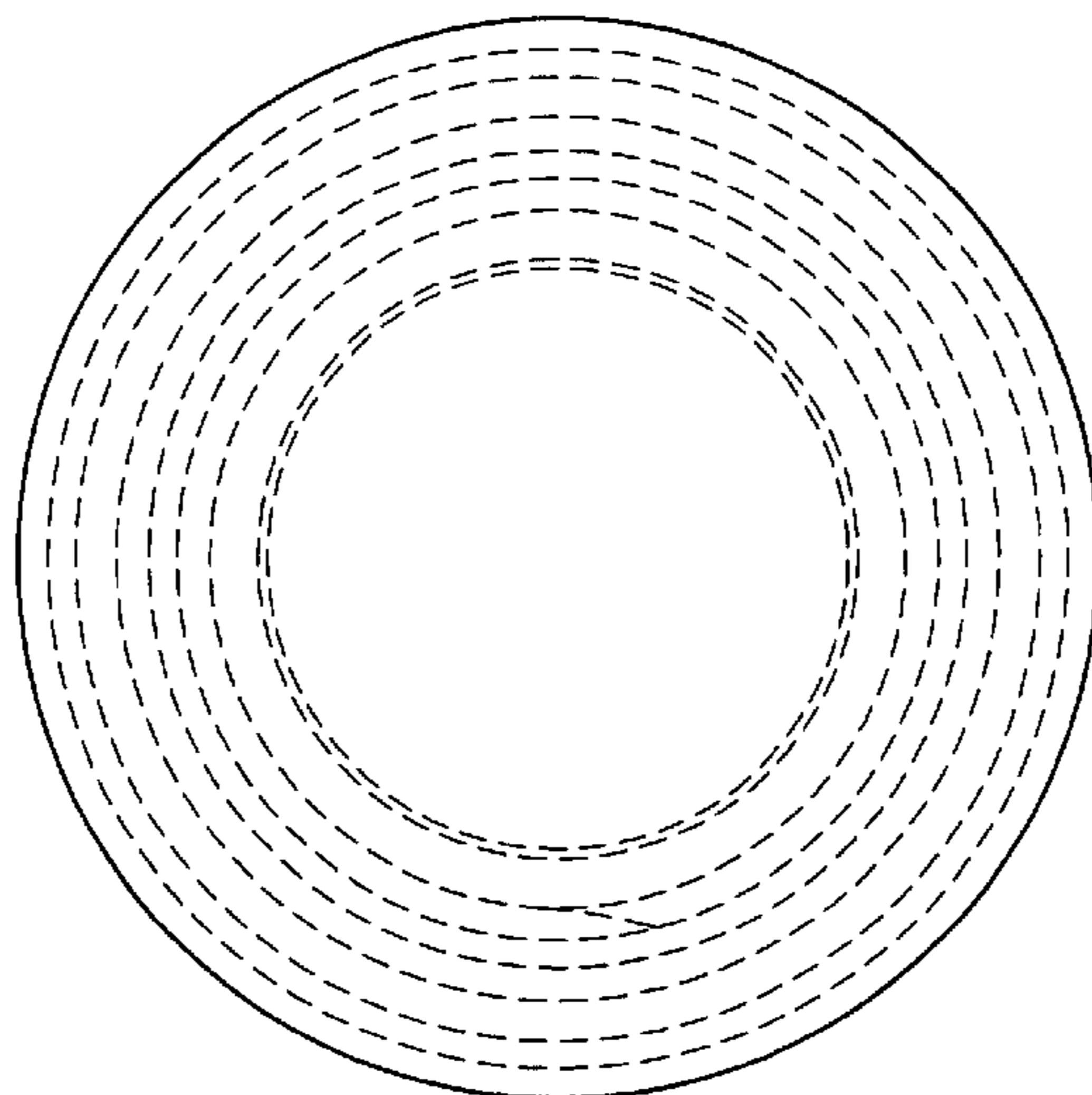


FIG.3

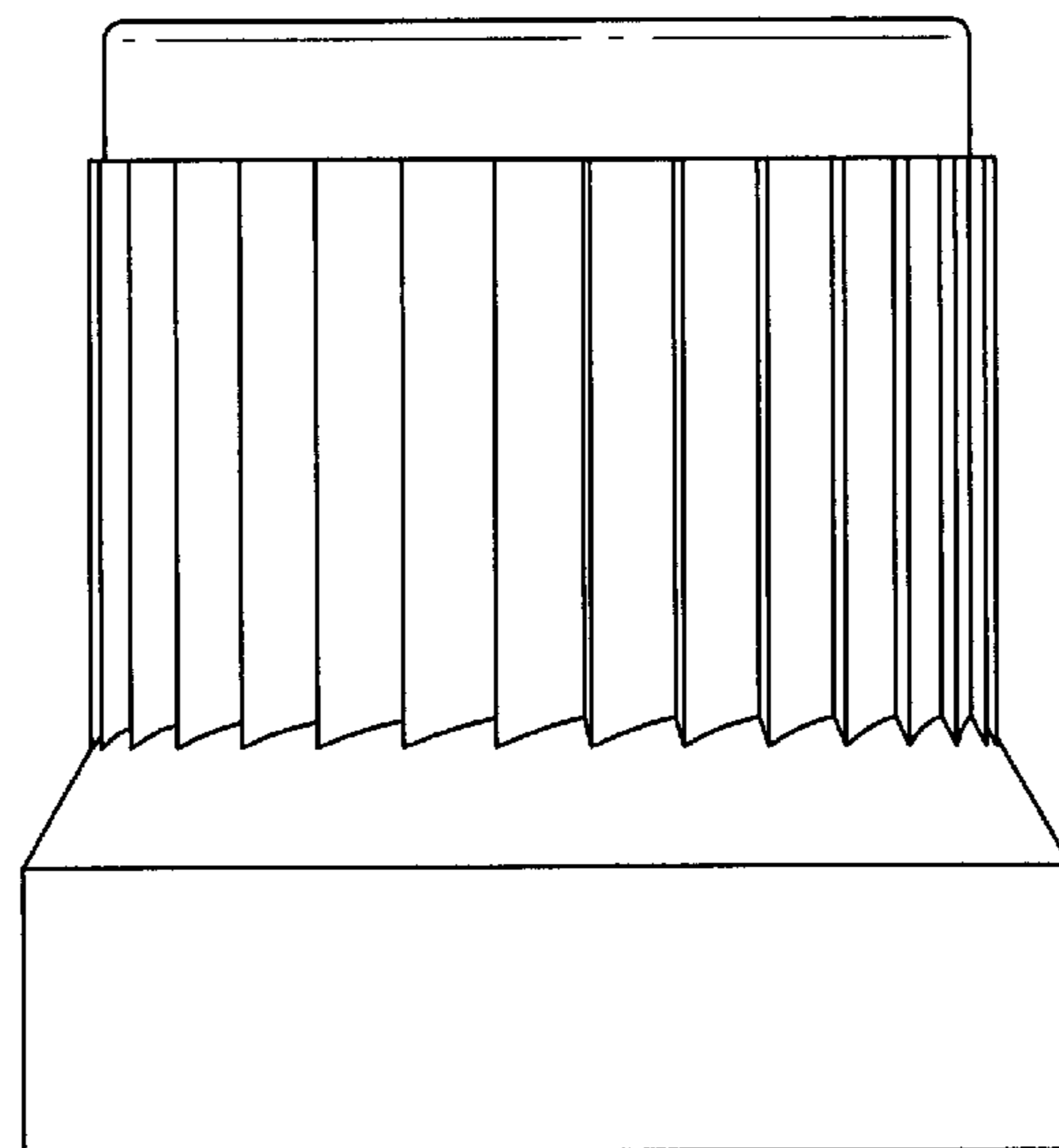
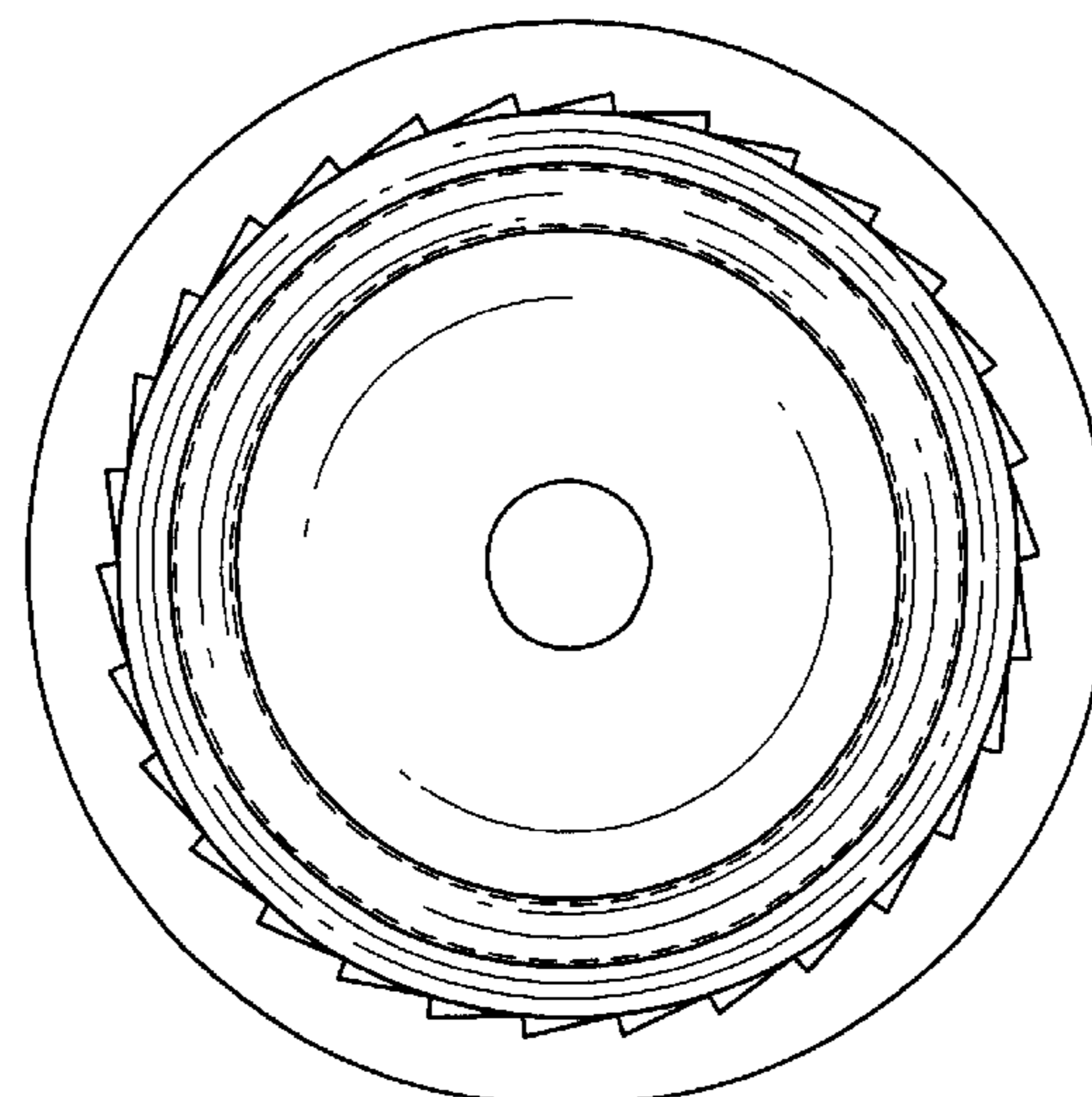


FIG.4



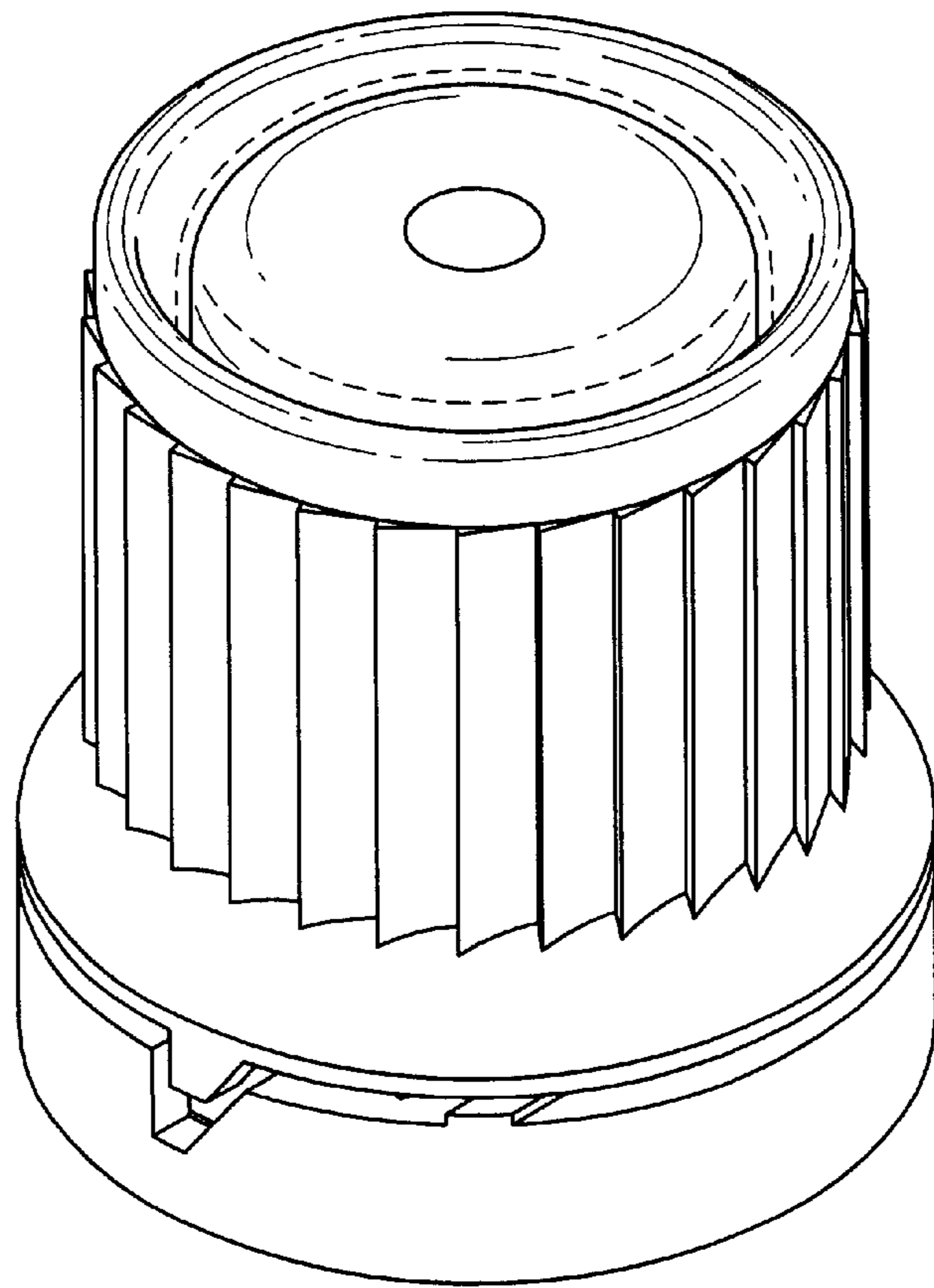


FIG.5

FIG.6

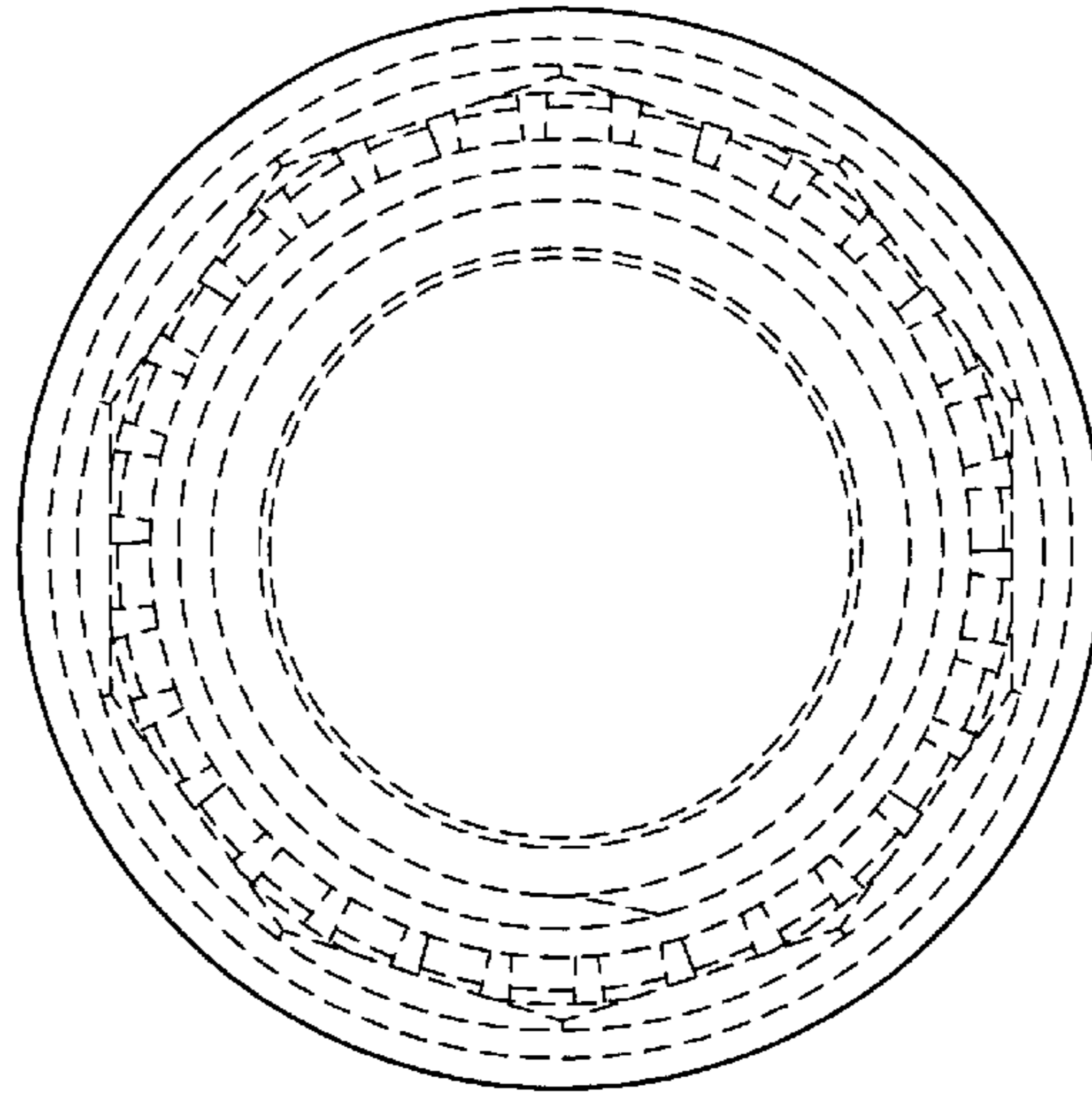


FIG.7

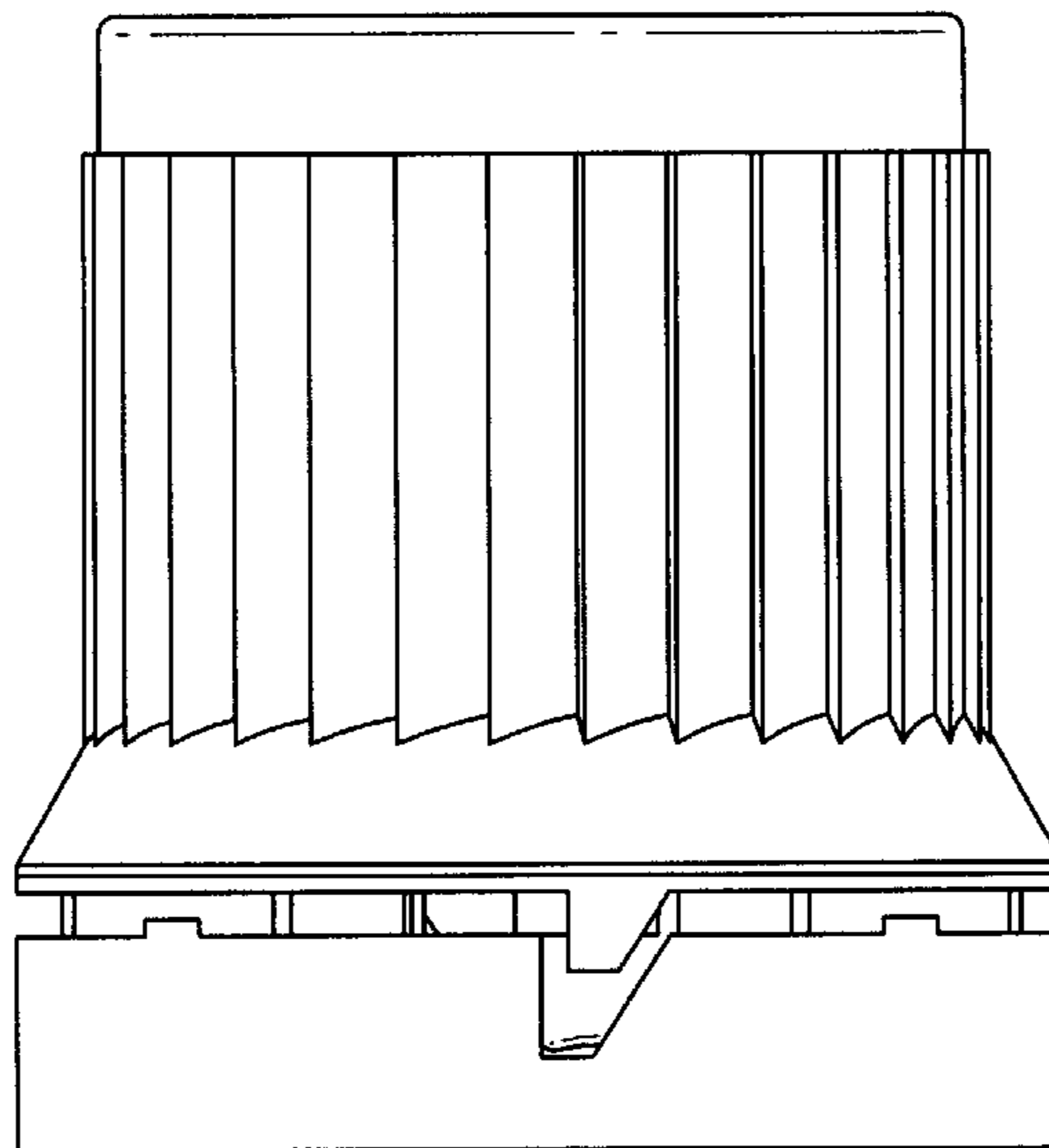


FIG.8

