



US00D527631S

(12) **United States Design Patent**  
**Mallet**

(10) **Patent No.:** **US D527,631 S**

(45) **Date of Patent:** **\*\* Sep. 5, 2006**

- (54) **BOTTLE CAP**
- (75) Inventor: **Guillaume Mallet**, Lyons (FR)
- (73) Assignee: **Tetra Laval Holdings & Finance S.A.**, Pully (CH)
- (\*\*) Term: **14 Years**
- (21) Appl. No.: **29/235,714**
- (22) Filed: **Aug. 5, 2005**

- D357,179 S 4/1995 Nedstedt
- 5,498,225 A 3/1996 Nedstedt
- 5,537,803 A 7/1996 Olsen
- 5,564,582 A 10/1996 Kamath
- 5,704,541 A 1/1998 Mogard
- 5,725,116 A 3/1998 Takai
- D407,976 S 4/1999 Ekkert
- D407,978 S 4/1999 Petro
- 6,223,924 B1 5/2001 Ek et al.
- 6,279,779 B1 8/2001 Laciacara et al.
- D447,940 S 9/2001 Quensel et al.
- D447,941 S 9/2001 Quensel et al.
- D448,285 S 9/2001 Palm et al.
- D448,286 S 9/2001 Quensel et al.

**Related U.S. Application Data**

- (62) Division of application No. 29/196,988, filed on Jan. 9, 2004.

(30) **Foreign Application Priority Data**

Jul. 11, 2003 (EM) ..... 000051198

- (51) **LOC (8) Cl.** ..... **09-07**
- (52) **U.S. Cl.** ..... **D9/449**
- (58) **Field of Classification Search** ..... D9/455, D9/548, 435, 449, 438, 569, 556, 537, 529, D9/454, 453; D24/197, 199, 224; 220/253; 215/352, 341, 334, 329, 252, 250, 219, 217, 215/216, 214, 222, 232, 253; 206/562  
See application file for complete search history.

(56) **References Cited**

**U.S. PATENT DOCUMENTS**

- D105,723 S 8/1937 Wheaton
- D153,956 S 5/1949 Lay
- D196,082 S 8/1963 Stull
- 3,109,547 A 11/1963 Wood
- D217,955 S 7/1970 Howard et al.
- 3,935,968 A 2/1976 Rausing
- 4,109,814 A 8/1978 Rausing
- 4,241,841 A \* 12/1980 Boller ..... 215/252
- 4,432,461 A \* 2/1984 Mumford et al. .... 215/252
- 4,664,278 A 5/1987 Barriac
- D304,424 S 11/1989 Dawson
- 5,248,054 A 9/1993 Berggren et al.
- 5,255,813 A 10/1993 Berggren et al.
- 5,372,300 A 12/1994 Nedstedt

(Continued)

*Primary Examiner*—Robert M. Spear  
*Assistant Examiner*—Susan Bennett Hattan  
(74) *Attorney, Agent, or Firm*—Buchanan Ingersoll PC

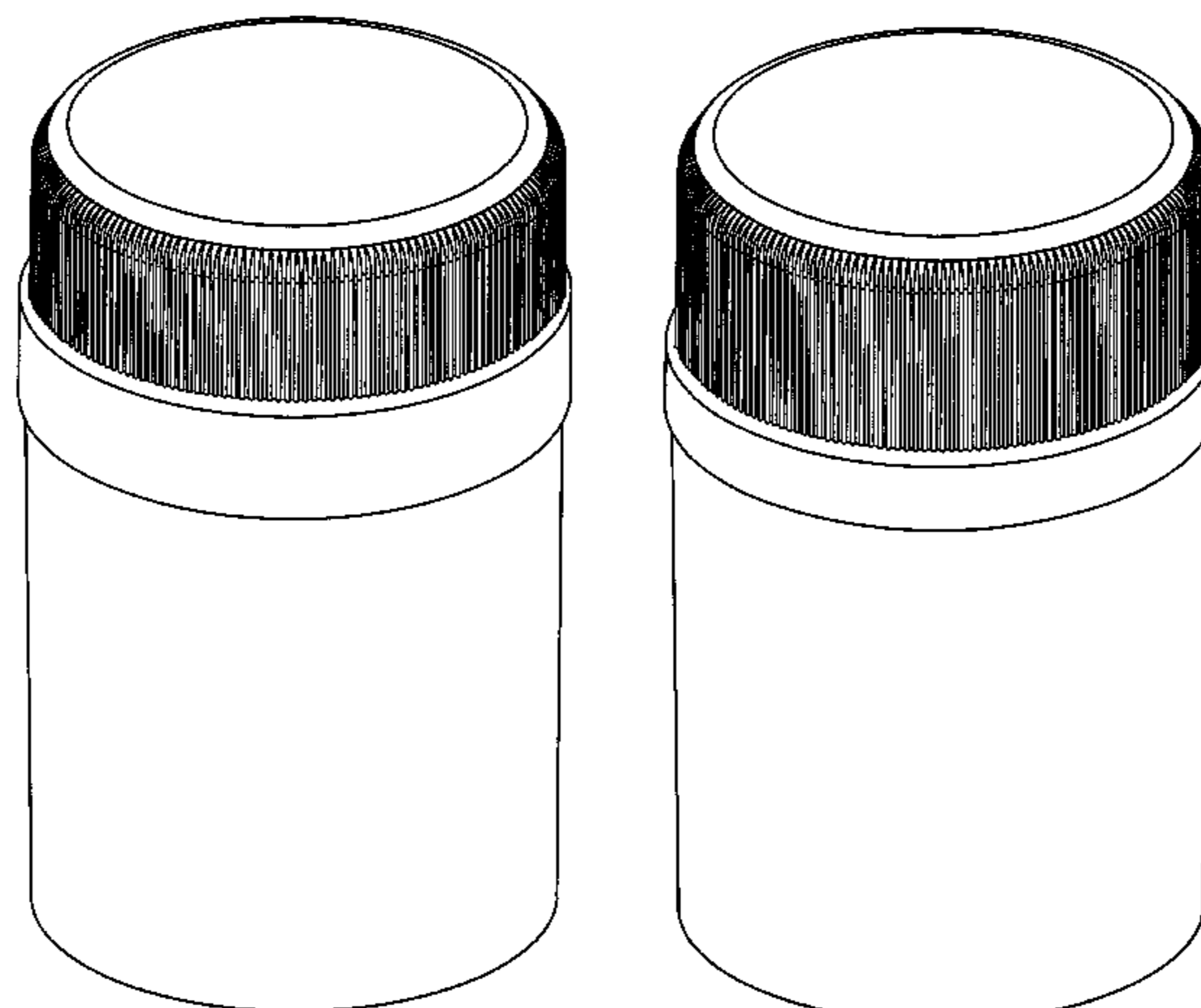
(57) **CLAIM**

The ornamental design for a bottle cap, as shown and described.

**DESCRIPTION**

FIG. 1 is a front elevational view of a bottle cap showing a first embodiment my new design; the rear elevational view being a mirror image thereof.  
FIG. 2 is a top, side perspective view thereof; the other side being a mirror image thereof.  
FIG. 3 is a front elevational view of a bottle cap showing a second embodiment of my new design; the rear elevational view being a mirror image thereof.  
FIG. 4 is a top, side perspective view thereof; the other side being a mirror image thereof.  
FIG. 5 is a front elevational reference view illustrating the relative size of the bottle cap shown in the first and second embodiments of my new design relative to a bottle; and, FIG. 6 is a top, side perspective view thereof.  
The broken line showing of a bottle in FIGS. 5 and 6 is for illustrative purposes only and forms no part of the claimed design.

**1 Claim, 6 Drawing Sheets**



# US D527,631 S

Page 2

---

U.S. PATENT DOCUMENTS					
D453,109	S	1/2002	Piquet	6,581,793	B1 * 6/2003 Racine et al. .... 215/252
6,398,075	B1	6/2002	Laciacara et al.	6,766,916	B1 7/2004 Ma
6,399,014	B1	6/2002	Hermodsson	D513,181	S * 12/2005 Bloom et al. .... D9/453

\* cited by examiner

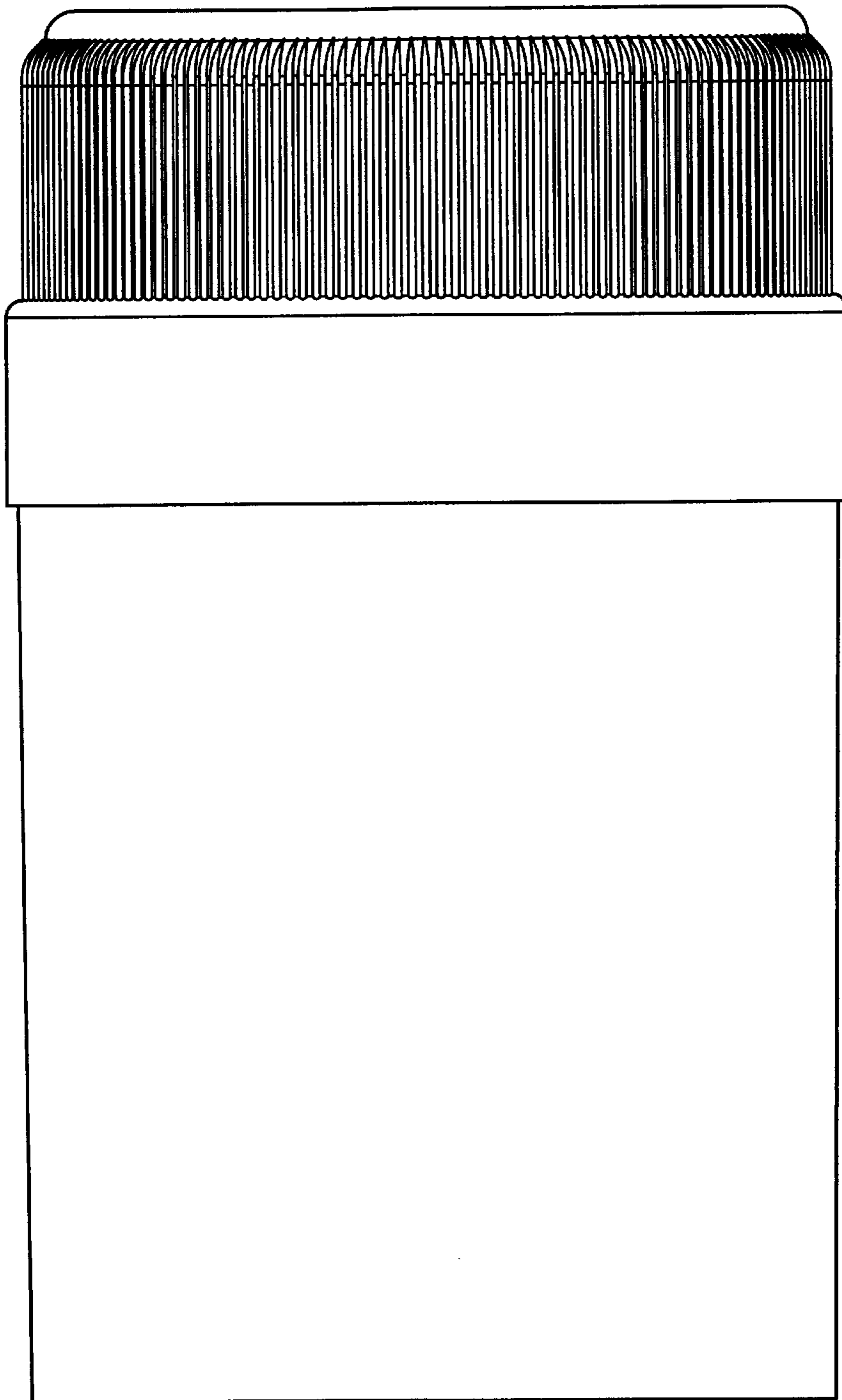


FIG. 1

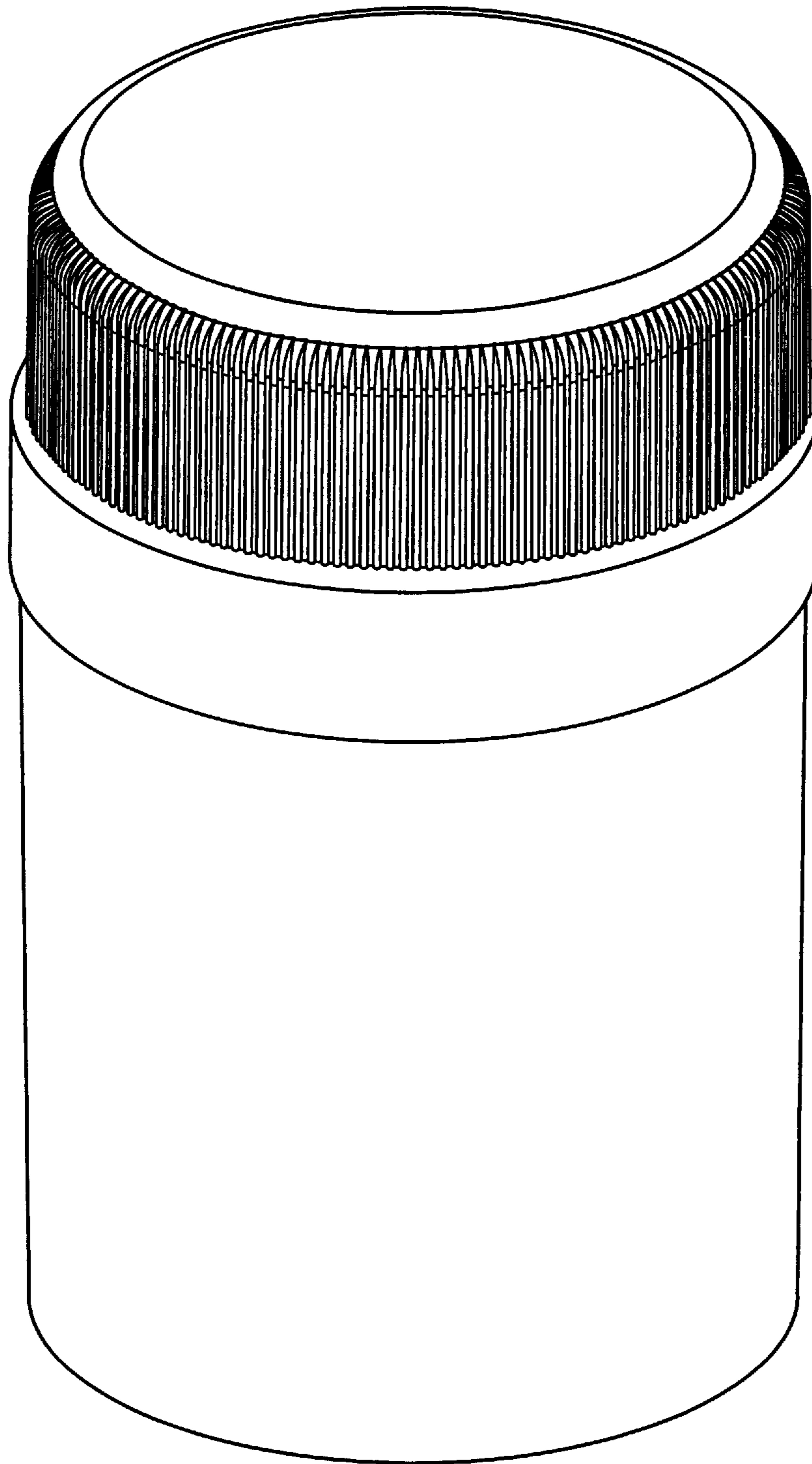


FIG. 2

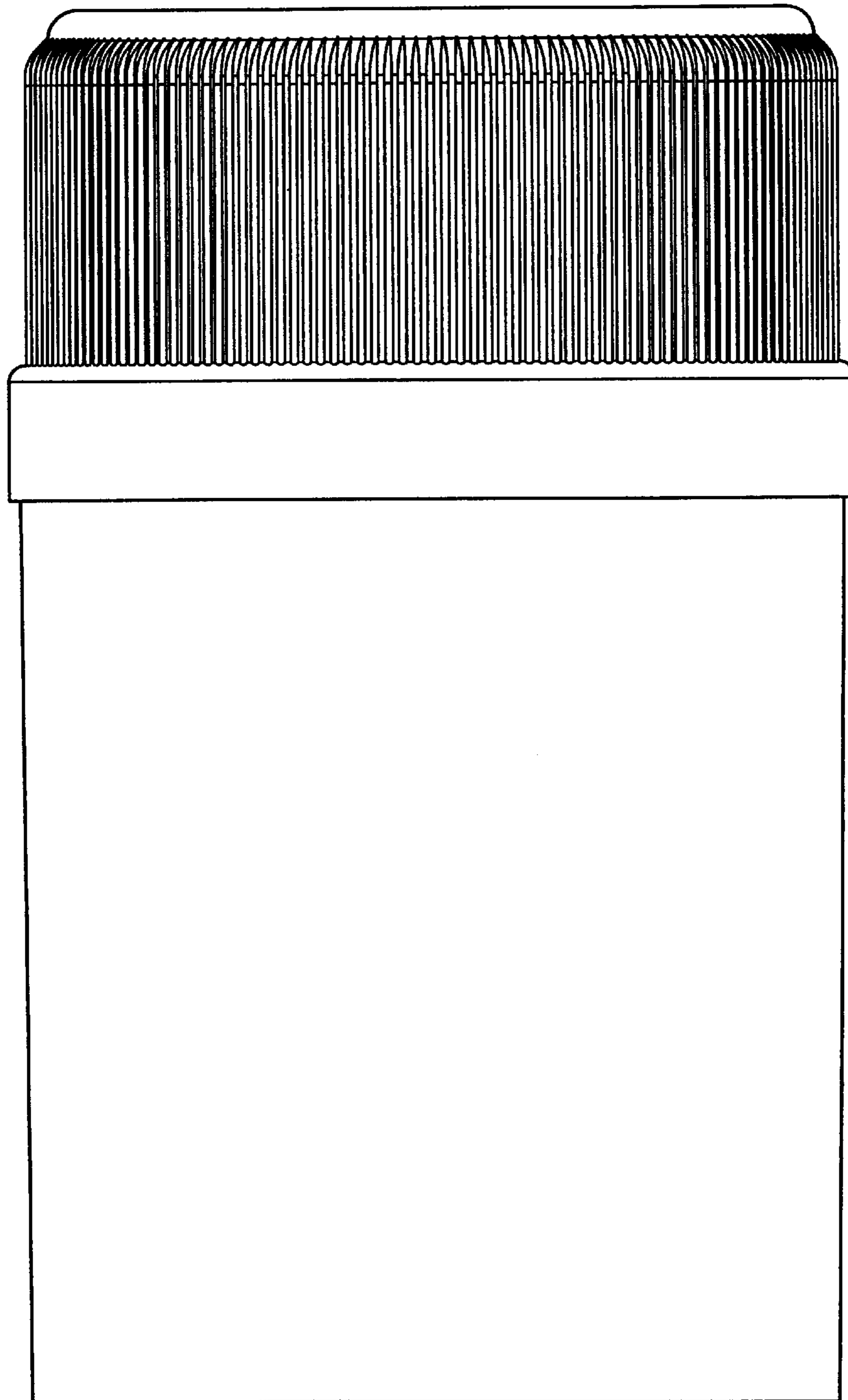


FIG. 3

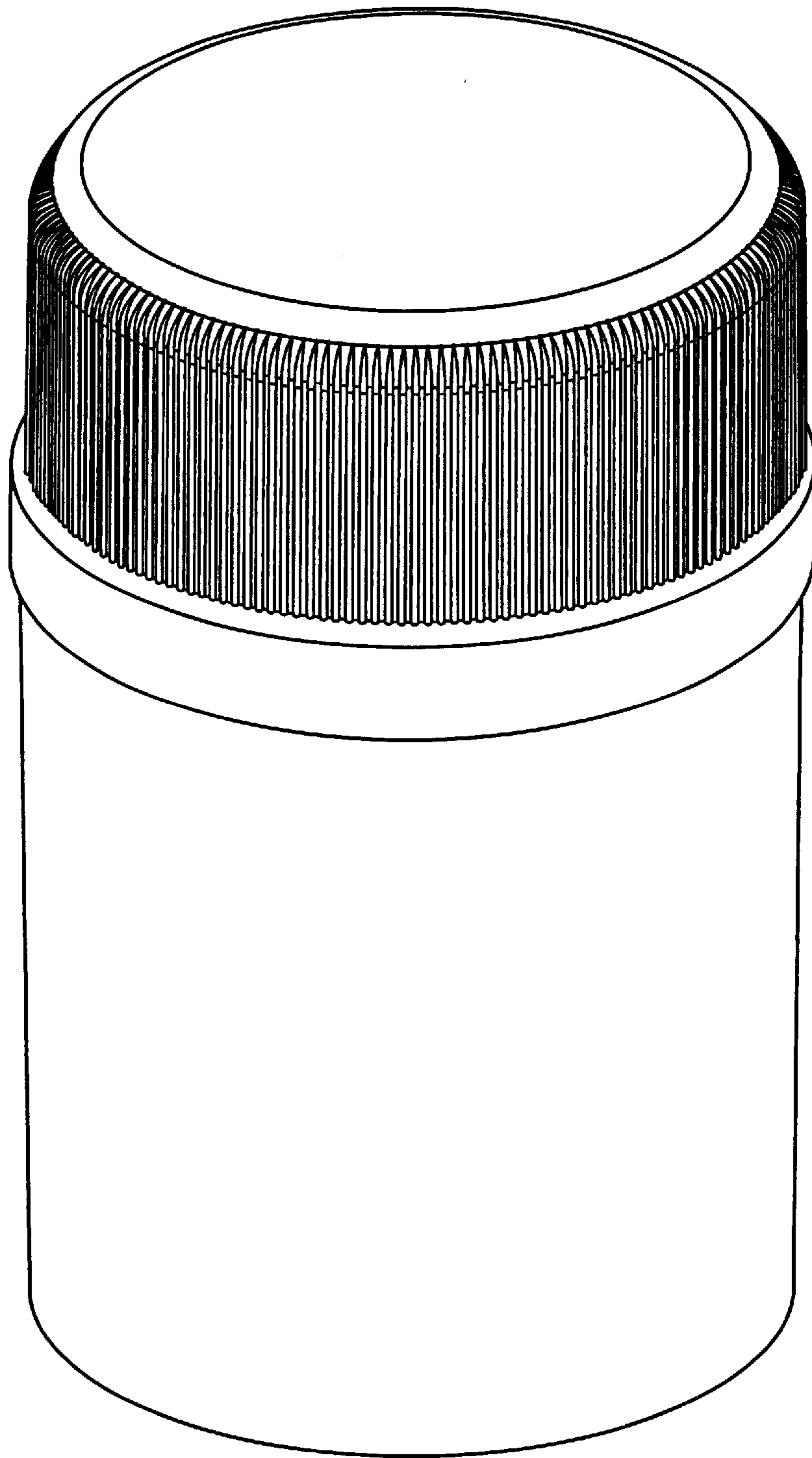


FIG. 4

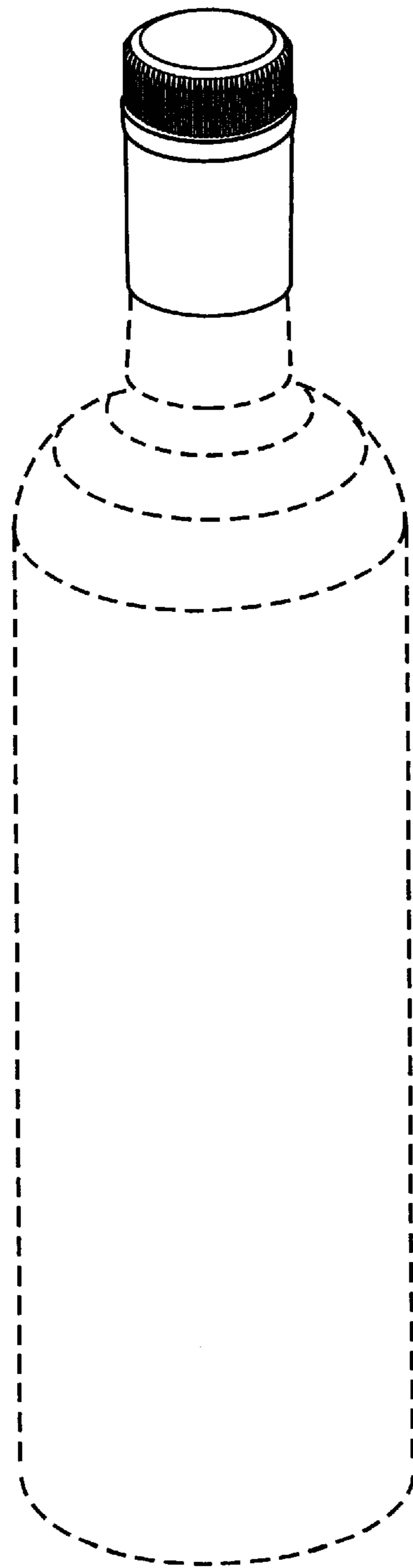


FIG. 5

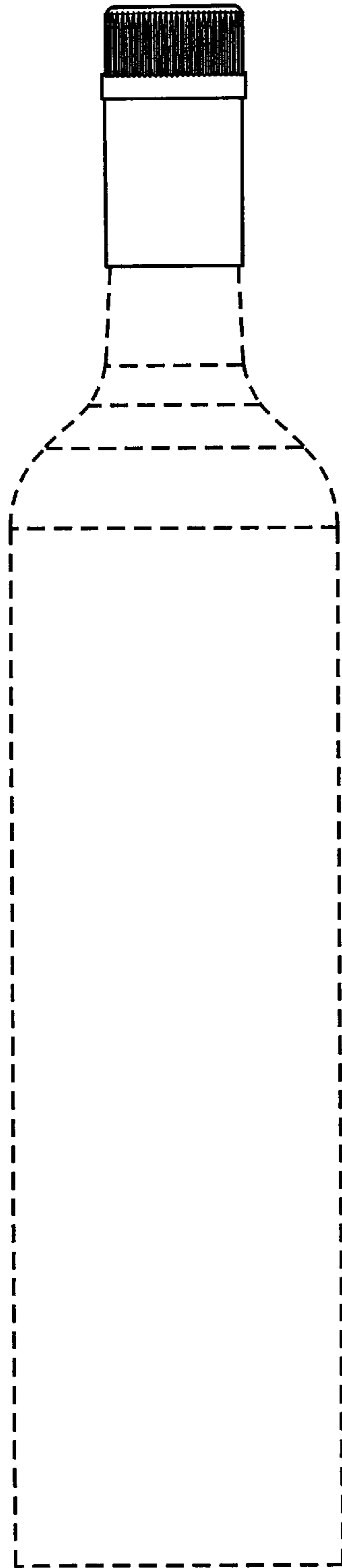


FIG. 6