

US00D527628S

(12) **United States Design Patent**  
**Patel**

(10) **Patent No.:** **US D527,628 S**

(45) **Date of Patent:** **\*\* Sep. 5, 2006**

(54) **DISPOSABLE FOIL PAN**

6,199,715 B1 \* 3/2001 Hayes et al. .... 220/608

(75) Inventor: **Raj Patel**, Lake Zurich, IL (US)

\* cited by examiner

(73) Assignee: **Handi-Foil Corp.**, Wheeling, IL (US)

*Primary Examiner*—Stella Reid  
*Assistant Examiner*—Derrick Holland

(\*\*) Term: **14 Years**

(74) *Attorney, Agent, or Firm*—Adam Sacharoff; Much  
Shelist

(21) Appl. No.: **29/225,544**

(57) **CLAIM**

(22) Filed: **Mar. 18, 2005**

The ornamental design for the disposable foil pan, as shown  
and described.

(51) **LOC (8) Cl.** ..... **09-03**

(52) **U.S. Cl.** ..... **D9/429**

(58) **Field of Classification Search** ..... D9/429,  
D9/423, 425, 426, 428; D7/505, 550.1; 229/406  
See application file for complete search history.

**DESCRIPTION**

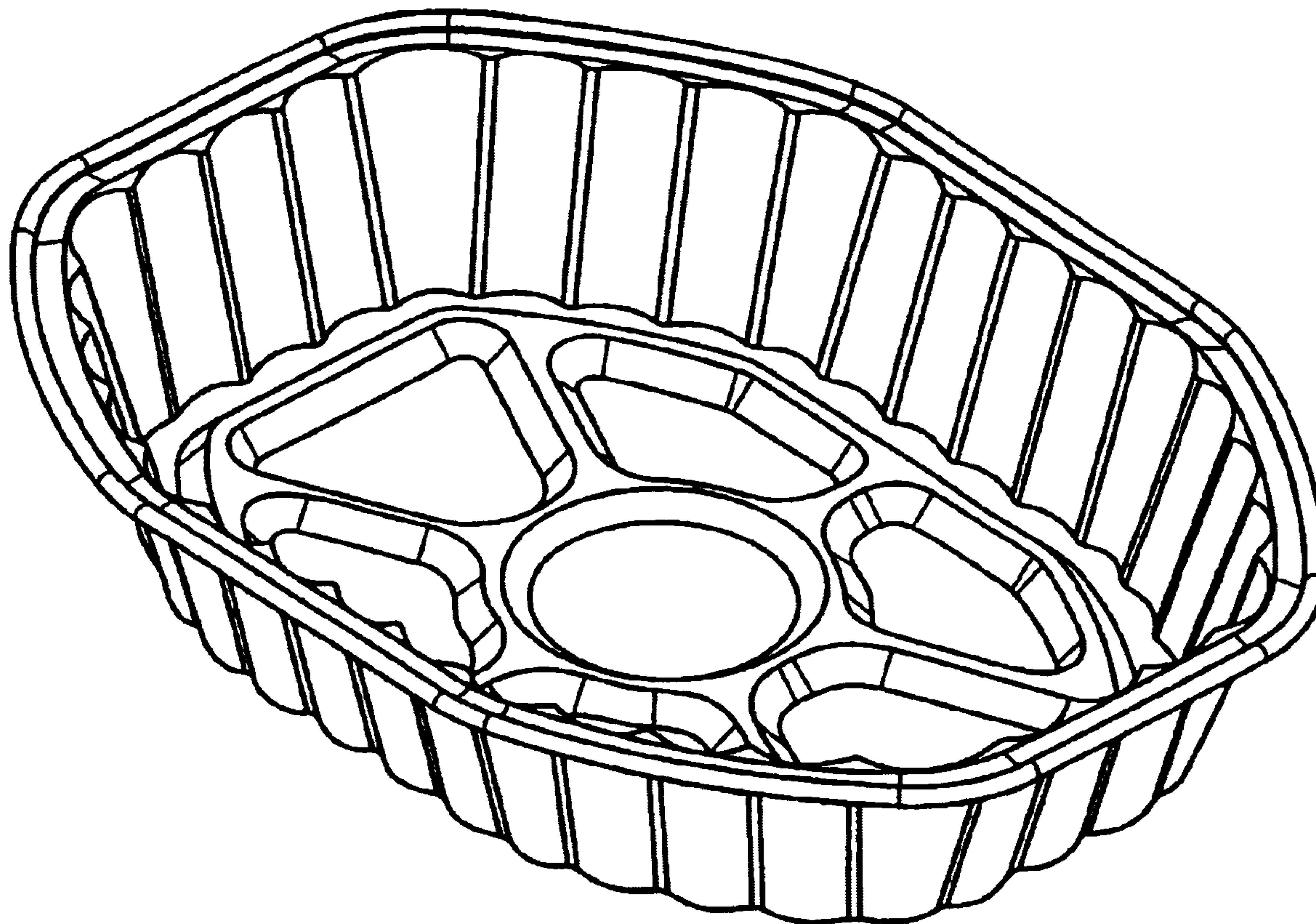
FIG. 1 is a front elevational perspective view of the dispos-  
able foil pan, showing my new design;  
FIG. 2 is a front side view thereof, the backside view being  
a mirror image thereof;  
FIG. 3 is a left side view thereof, the right side view being  
a mirror image thereof;  
FIG. 4 is a top view thereof; and,  
FIG. 5 is a bottom elevational perspective view thereof.

(56) **References Cited**

**U.S. PATENT DOCUMENTS**

3,229,886	A	*	1/1966	Grogel	.....	220/608
D416,433	S	*	11/1999	Fletcher et al.	.....	D7/359
D418,415	S	*	1/2000	Hayes et al.	.....	D9/434
6,065,629	A	*	5/2000	Sarnoff et al.	.....	220/315

**1 Claim, 3 Drawing Sheets**



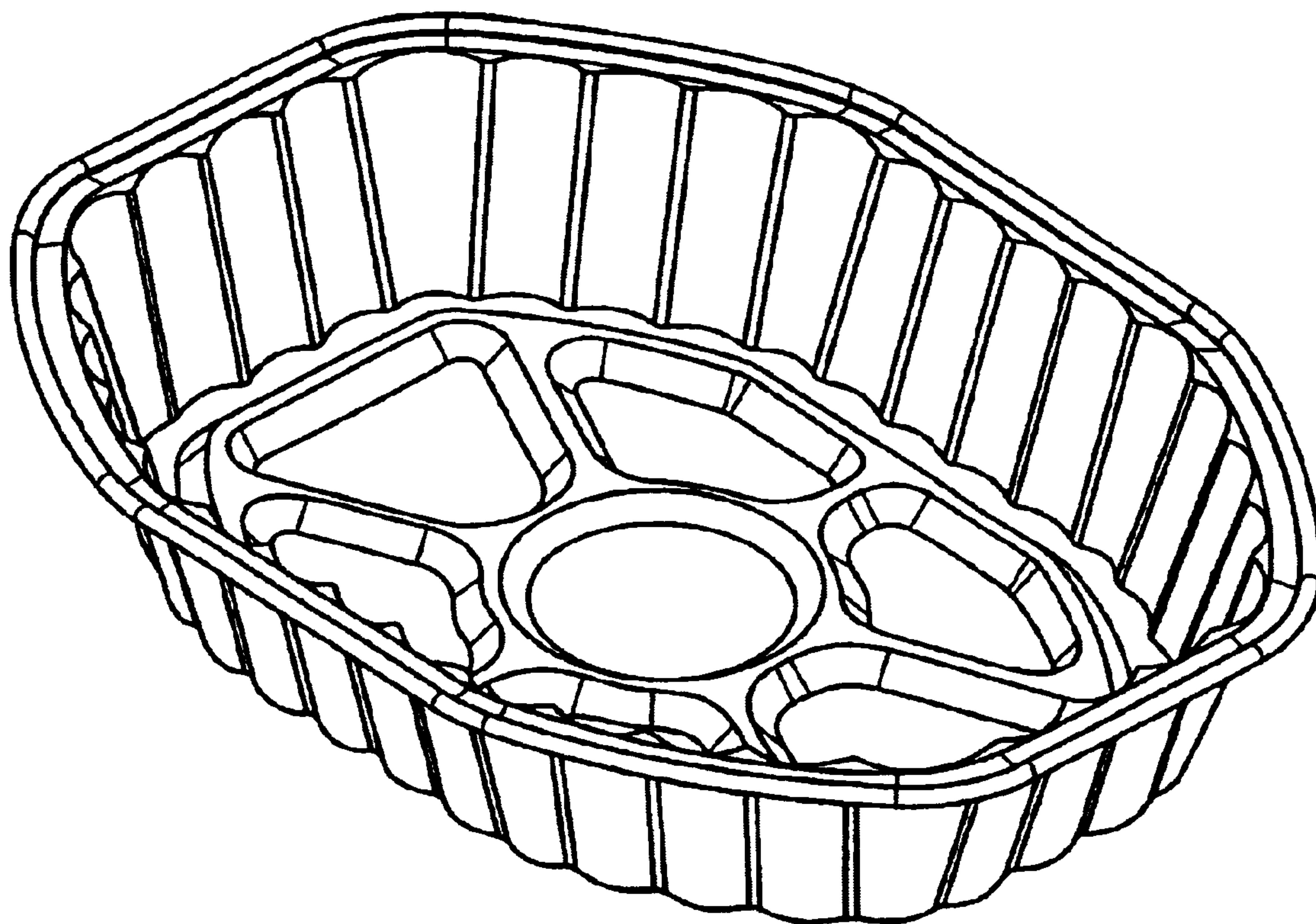


FIG. 1

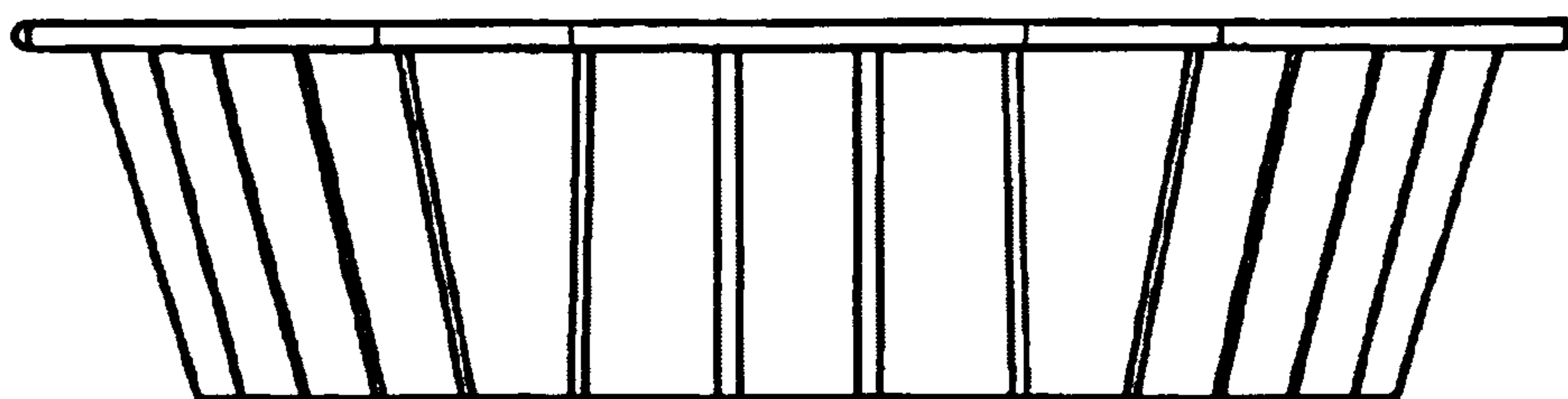


FIG. 2

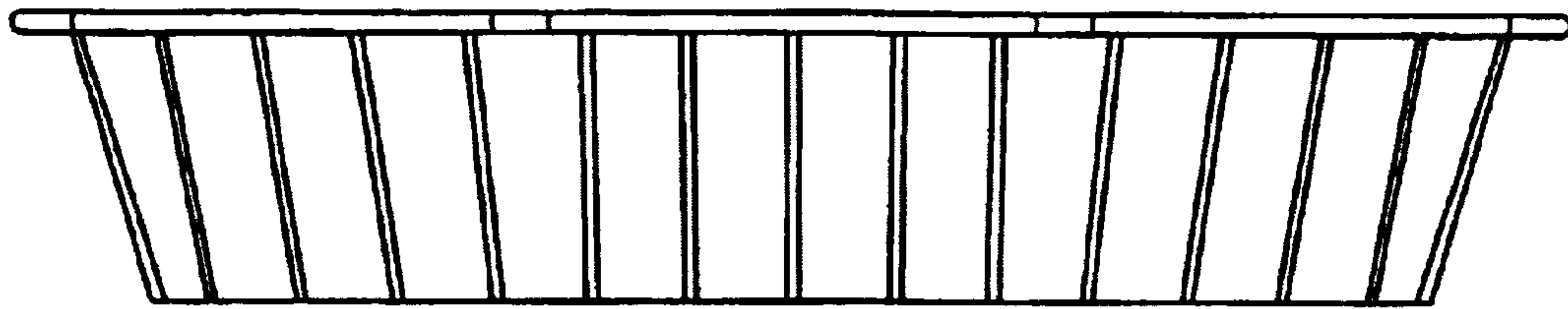


FIG. 3

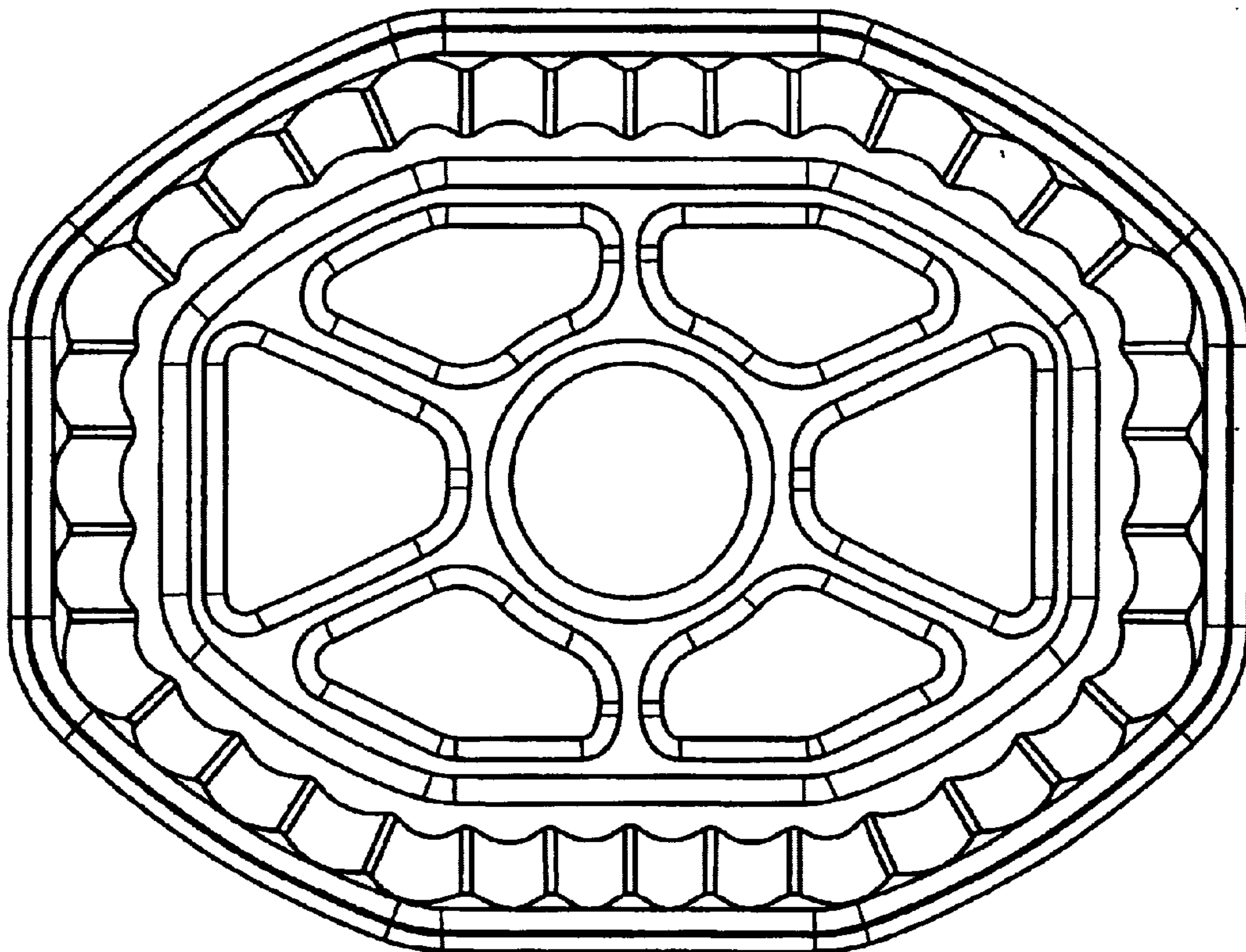


FIG. 4



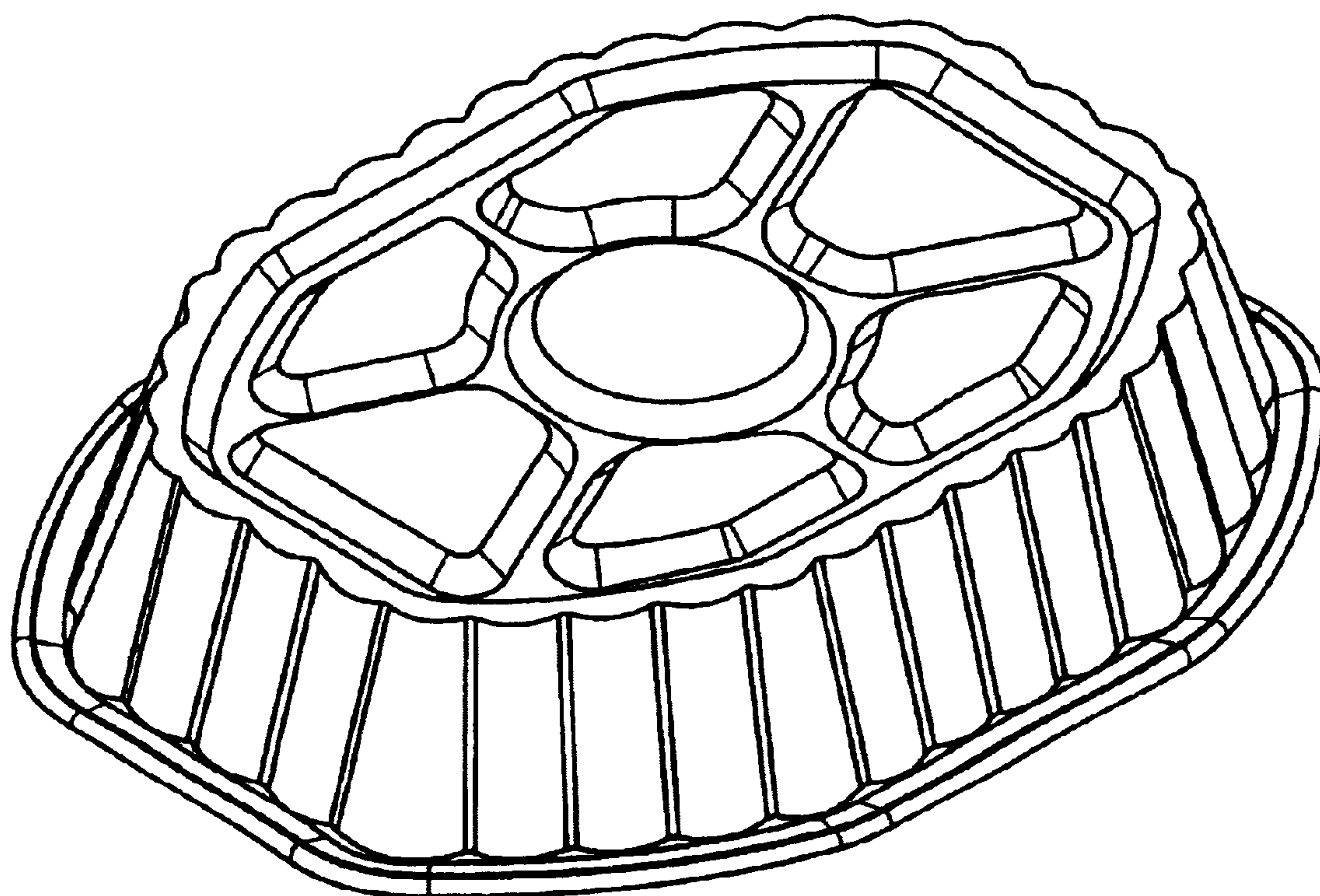


FIG. 5