



US00D527616S

(12) **United States Design Patent**  
**Hajianpour**

(10) **Patent No.:** **US D527,616 S**

(45) **Date of Patent:** **\*\* Sep. 5, 2006**

(54) **ARTICLE HOLDER HAVING A SUCTION  
CUP FOR ATTACHMENT TO A BATHROOM  
WALL**

6,131,865 A \* 10/2000 Adams ..... 248/206.2  
6,244,778 B1 6/2001 Chesbrough  
6,308,923 B1 \* 10/2001 Howard ..... 248/205.5  
6,402,104 B1 6/2002 Smith

(75) Inventor: **Zoya Hajianpour**, Fort Lauderdale, FL  
(US)

\* cited by examiner

(73) Assignee: **Zoya, Inc.**, Sunrise, FL (US)

*Primary Examiner*—Holly H. Baynham

(74) *Attorney, Agent, or Firm*—Ronald V. Davidge

(\*\*) Term: **14 Years**

(57) **CLAIM**

(21) Appl. No.: **29/206,344**

The ornamental design for an article holder having a suction cup for attachment to a bathroom wall, as shown and described.

(22) Filed: **May 28, 2004**

(51) **LOC (8) Cl.** ..... **08-05**

(52) **U.S. Cl.** ..... **D8/373**

(58) **Field of Classification Search** ..... D8/373,  
D8/354; 248/206.2, 206.3, 205.5  
See application file for complete search history.

**DESCRIPTION**

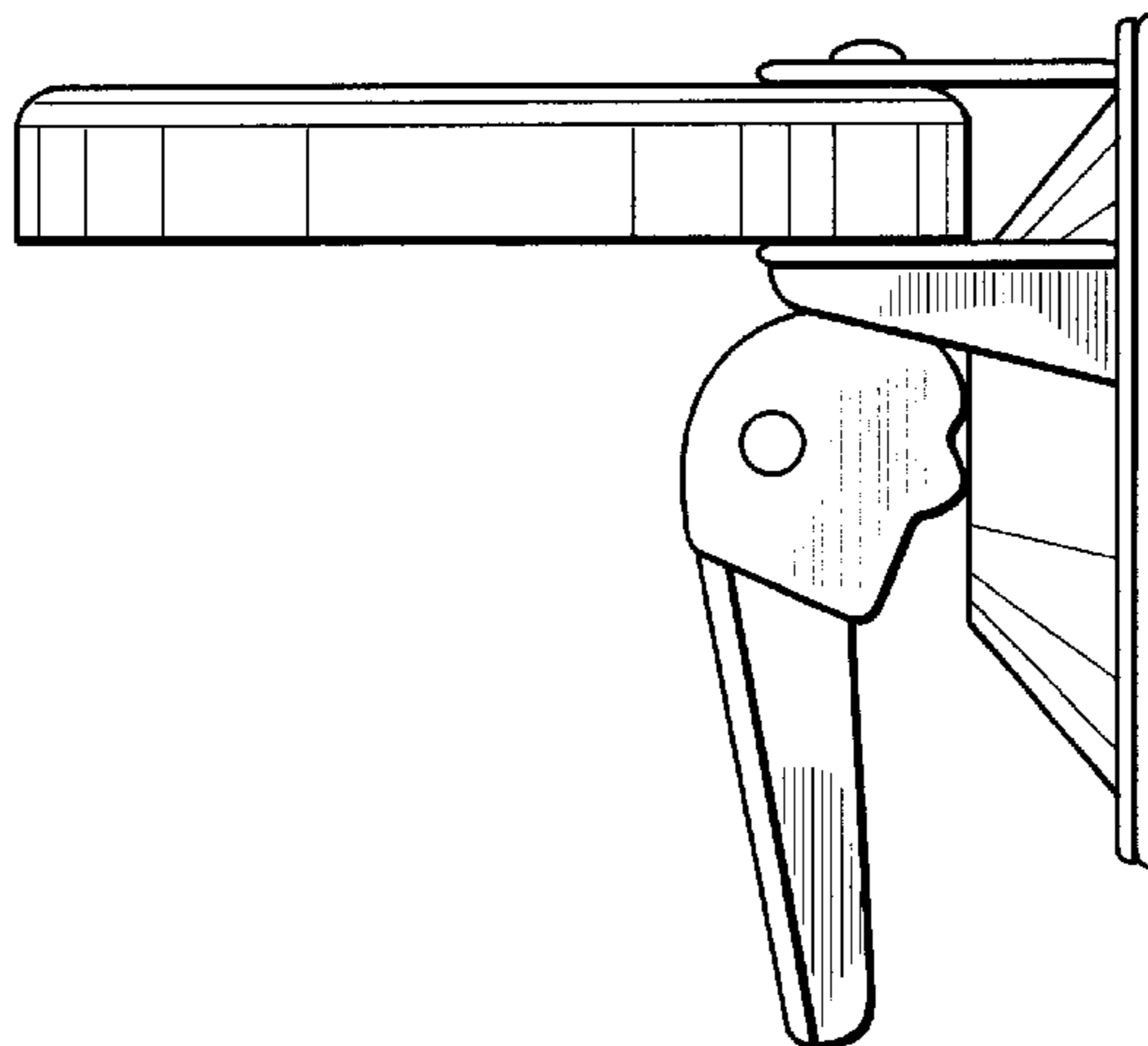
FIG. 1 is a right elevational view of a first embodiment of the claimed design, with the left elevational view being a mirror image of the right elevational view;  
FIG. 2 is a top plan view thereof;  
FIG. 3 is a front elevational view thereof;  
FIG. 4 is a rear elevational view thereof;  
FIG. 5 is a bottom plan view thereof;  
FIG. 6 is a top plan view of a second embodiment of the design;  
FIG. 7 is a front elevational view thereof;  
FIG. 8 is a rear elevational view thereof;  
FIG. 9 is a bottom plan view thereof; and,  
FIG. 10 is a right side elevational view thereof.

(56) **References Cited**

U.S. PATENT DOCUMENTS

3,869,183	A	3/1975	Frank, Jr.	
4,673,148	A	6/1987	Oliver	
4,696,447	A	9/1987	Strecker	
5,176,347	A	1/1993	Rouall	
5,242,063	A	9/1993	Ericksen et al.	
5,480,038	A	1/1996	Collier	
D371,735	S	* 7/1996	Motta	..... D8/373
D391,009	S	* 2/1998	Liu	..... D26/138
D408,725	S	* 4/1999	Adams	..... D8/373

**1 Claim, 3 Drawing Sheets**



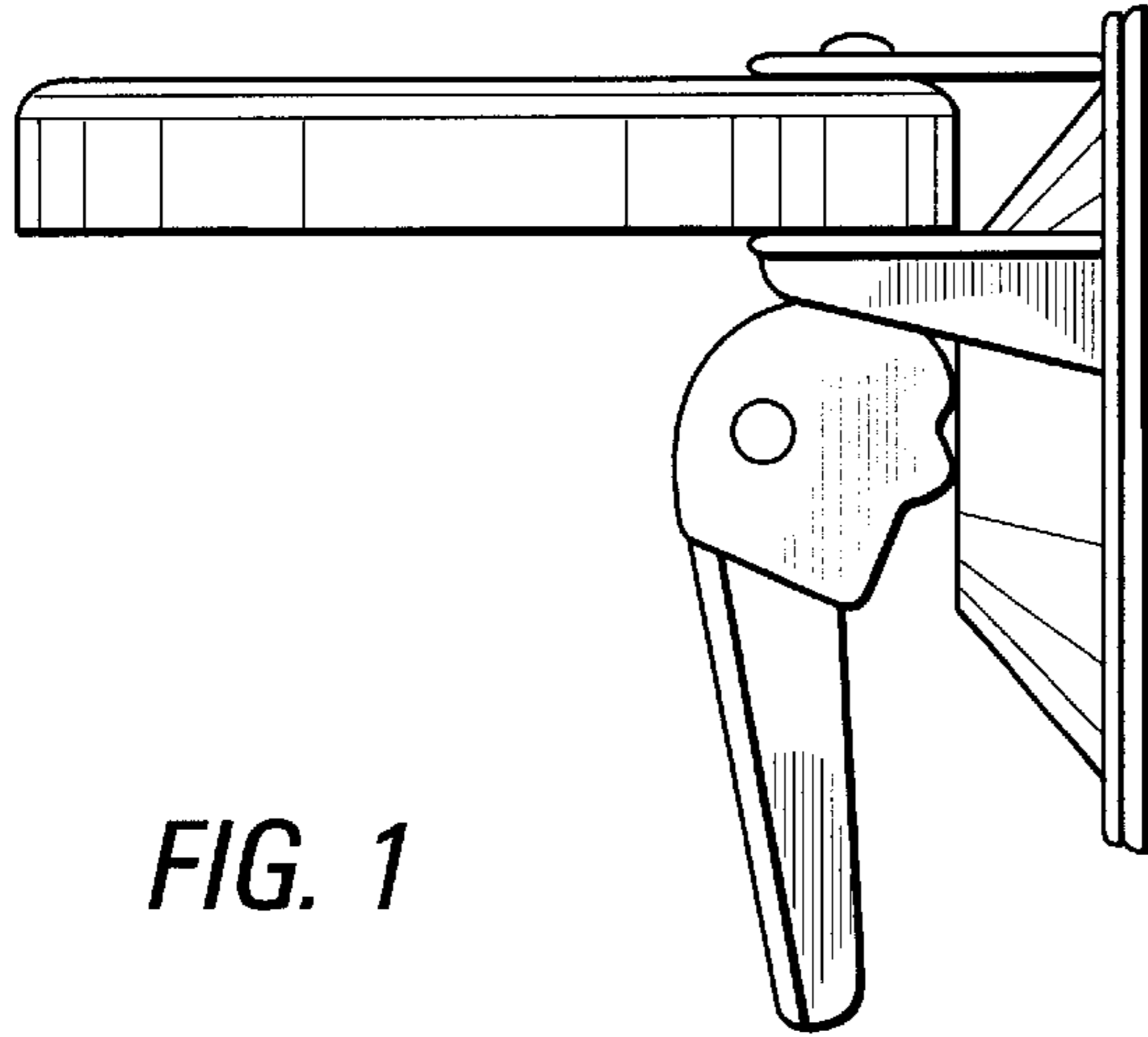


FIG. 1

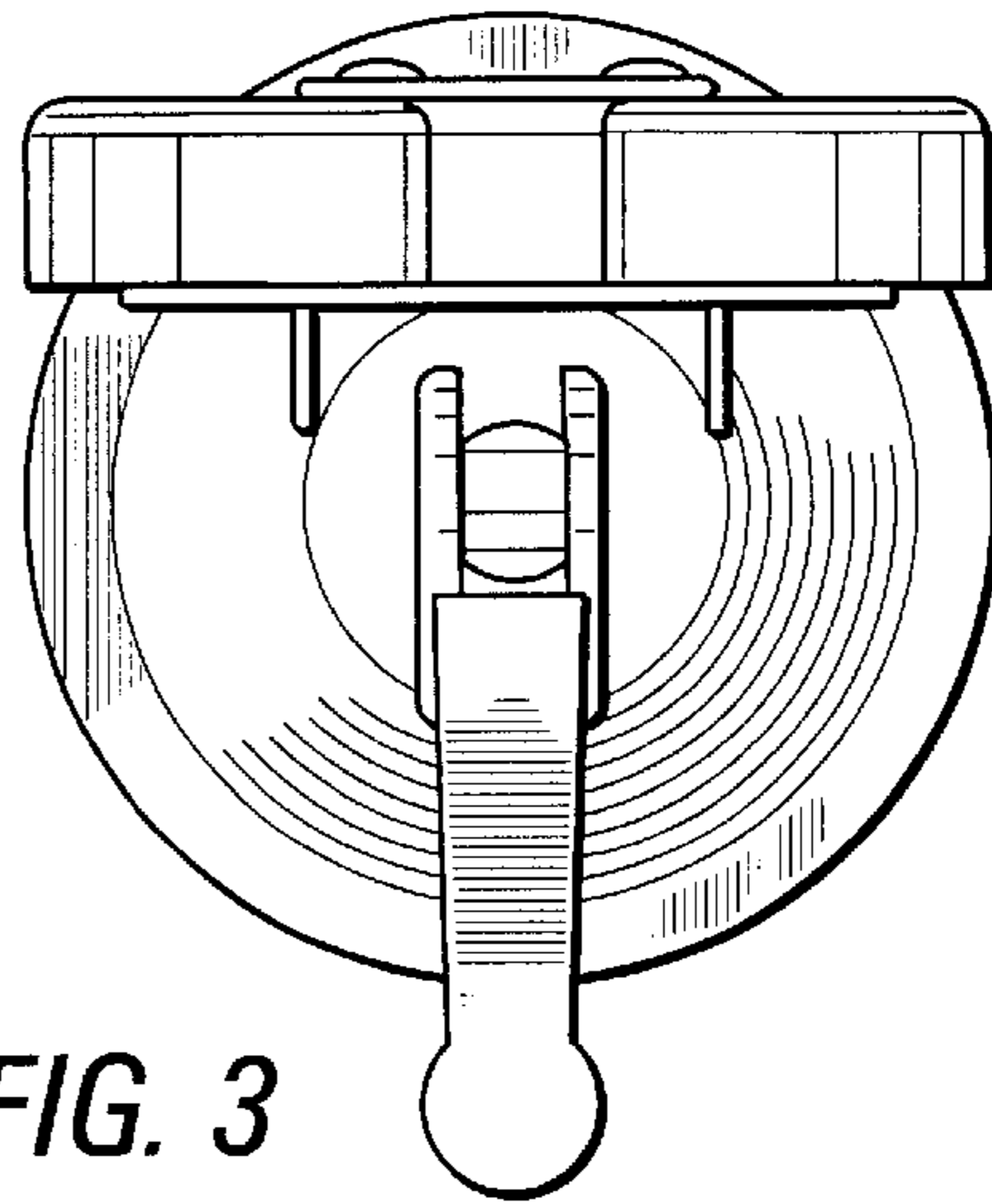


FIG. 3

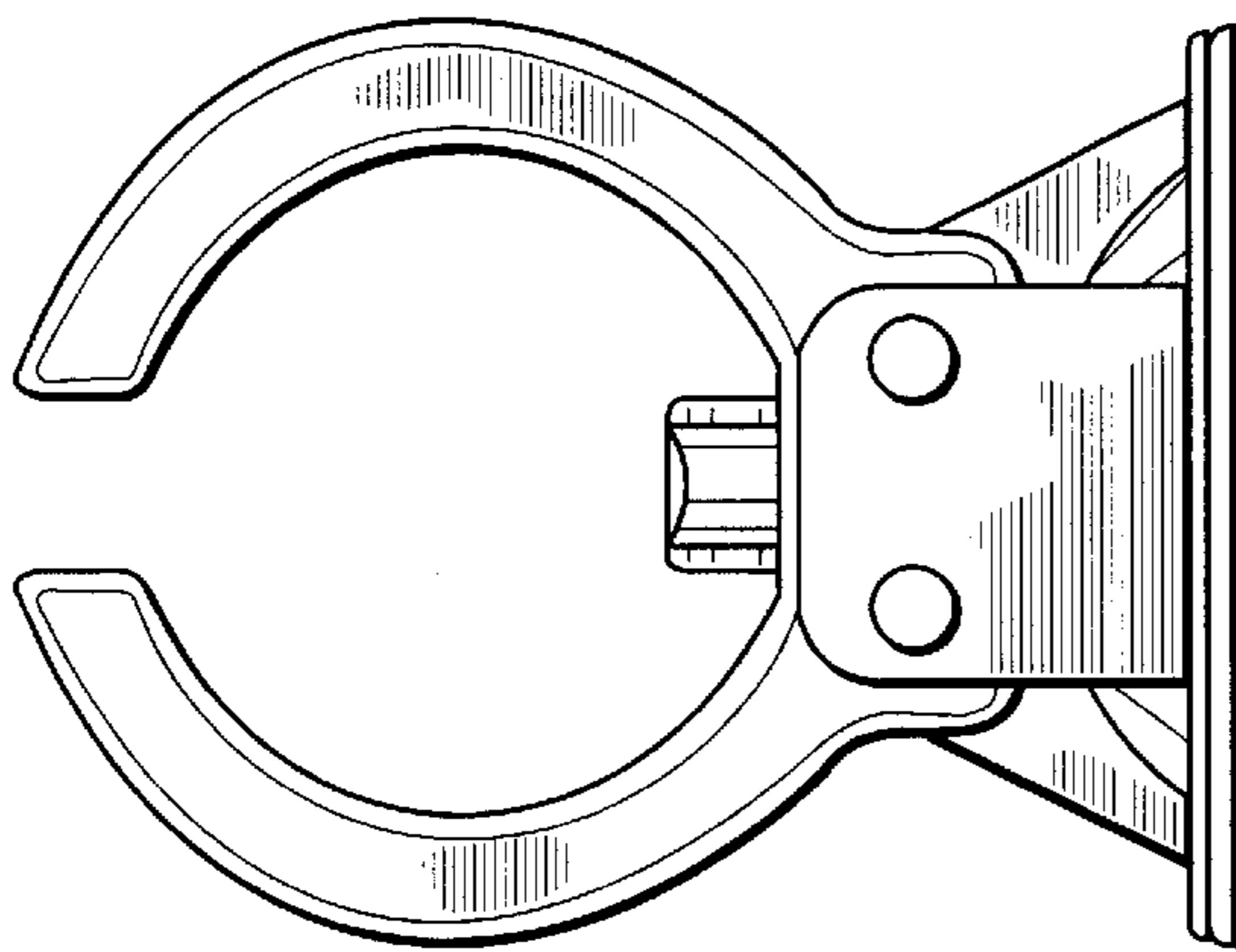


FIG. 2

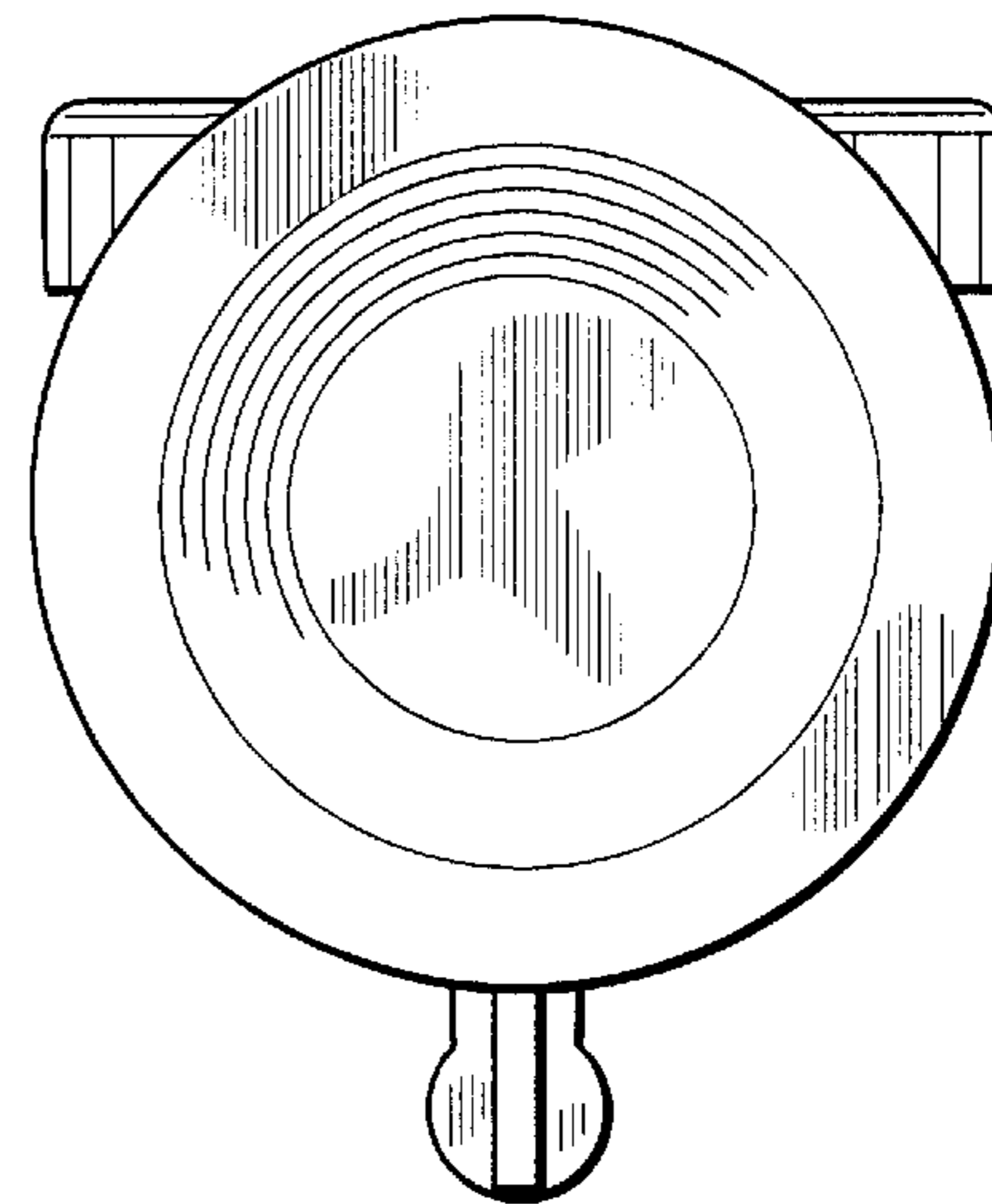


FIG. 4

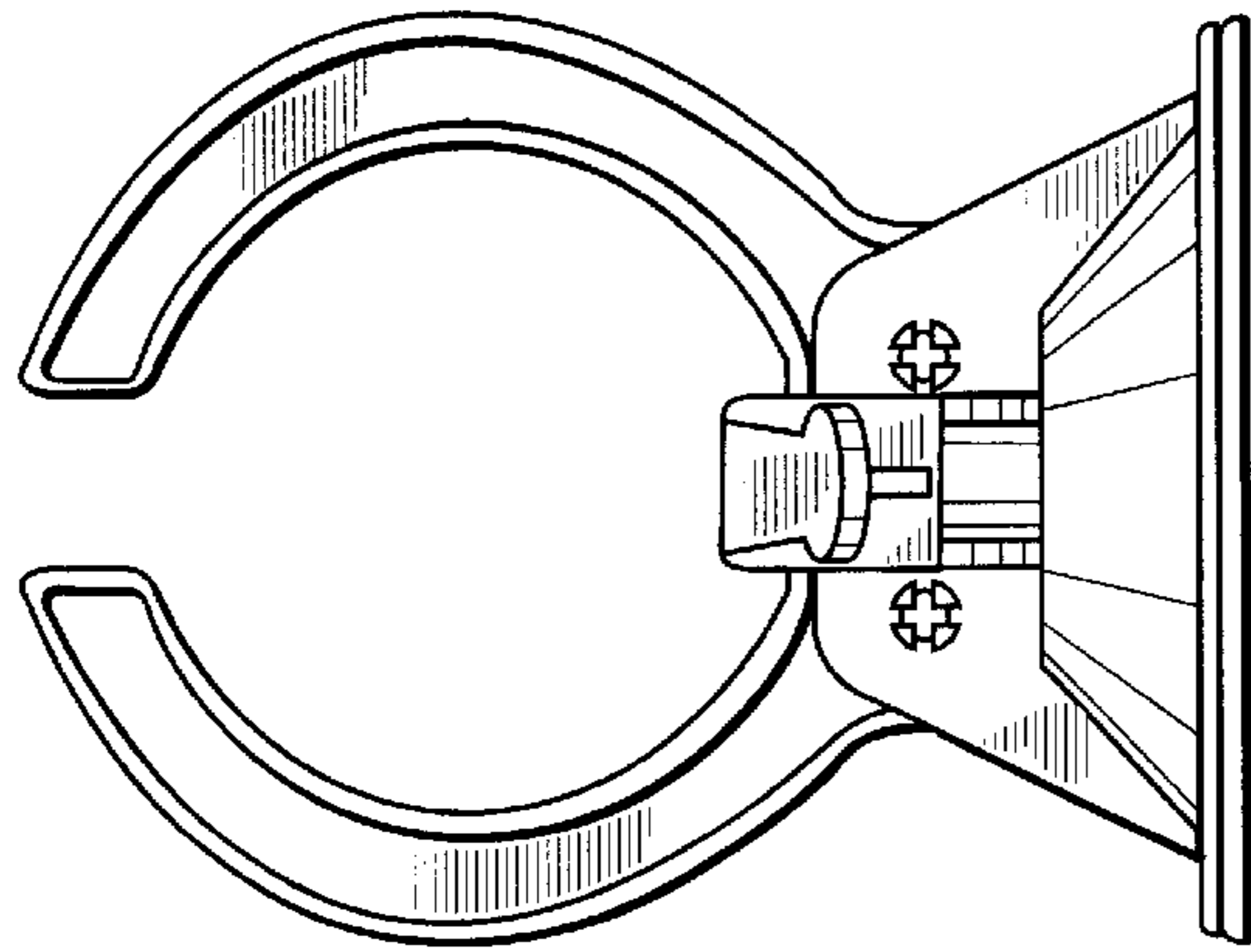


FIG. 5

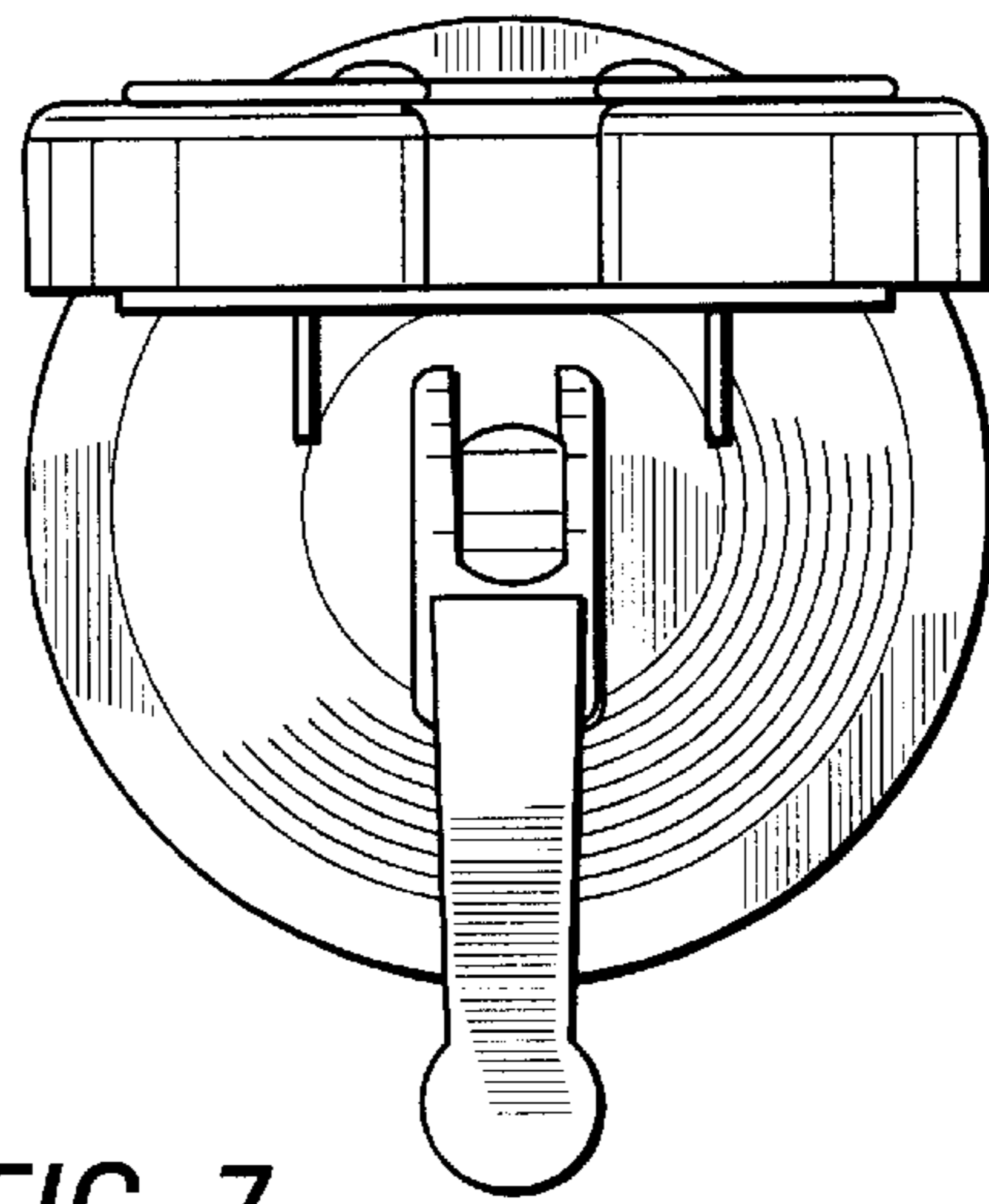


FIG. 7

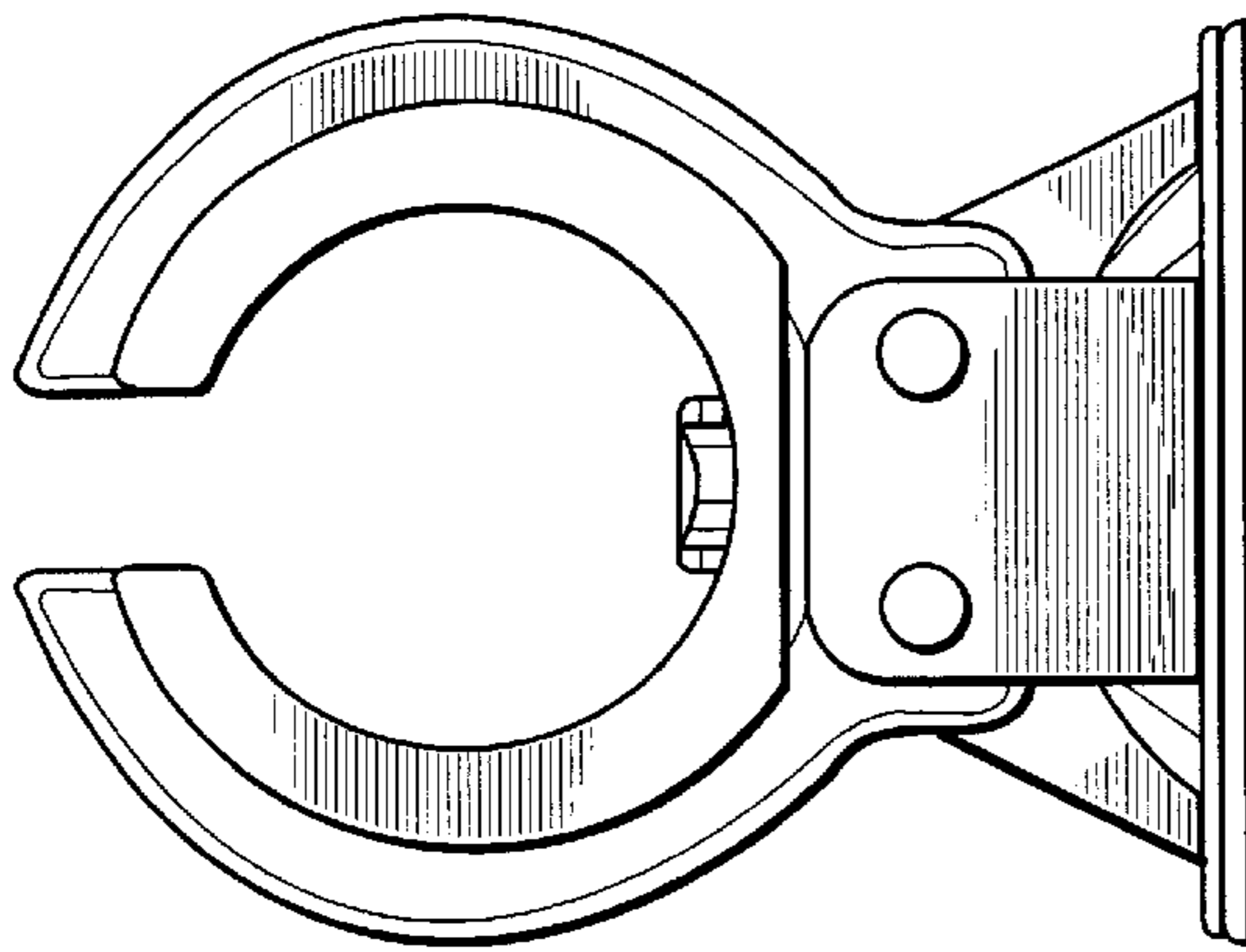


FIG. 6

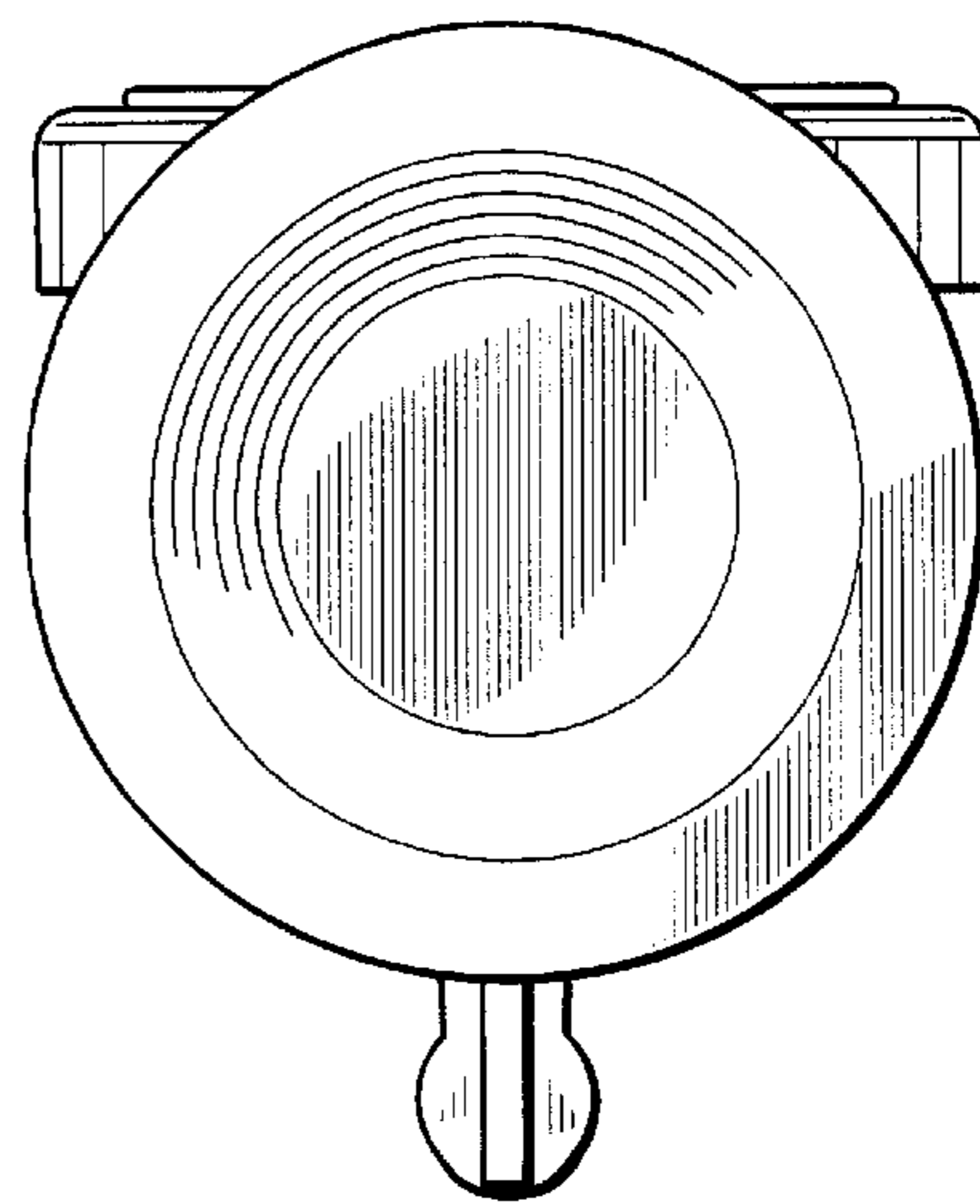
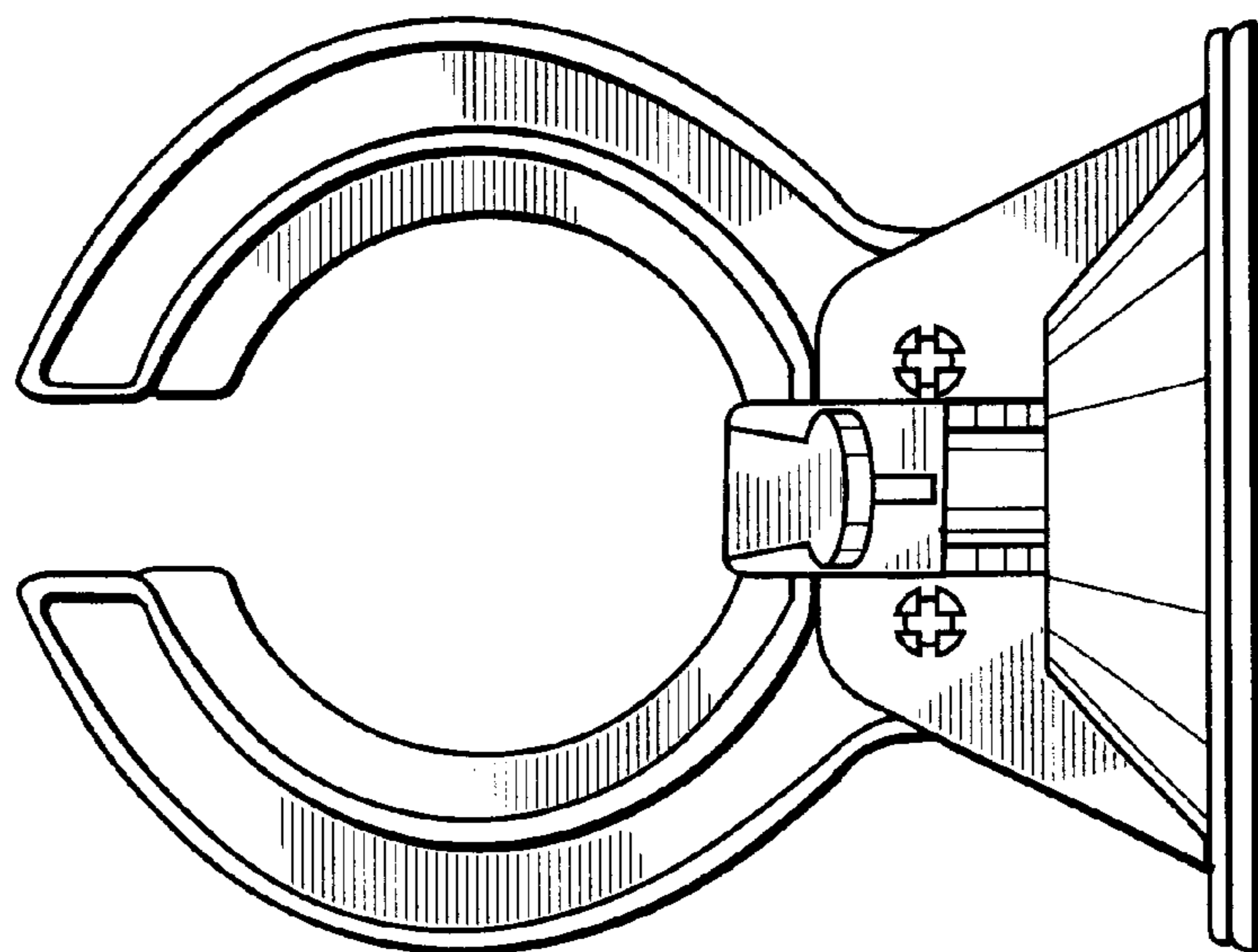
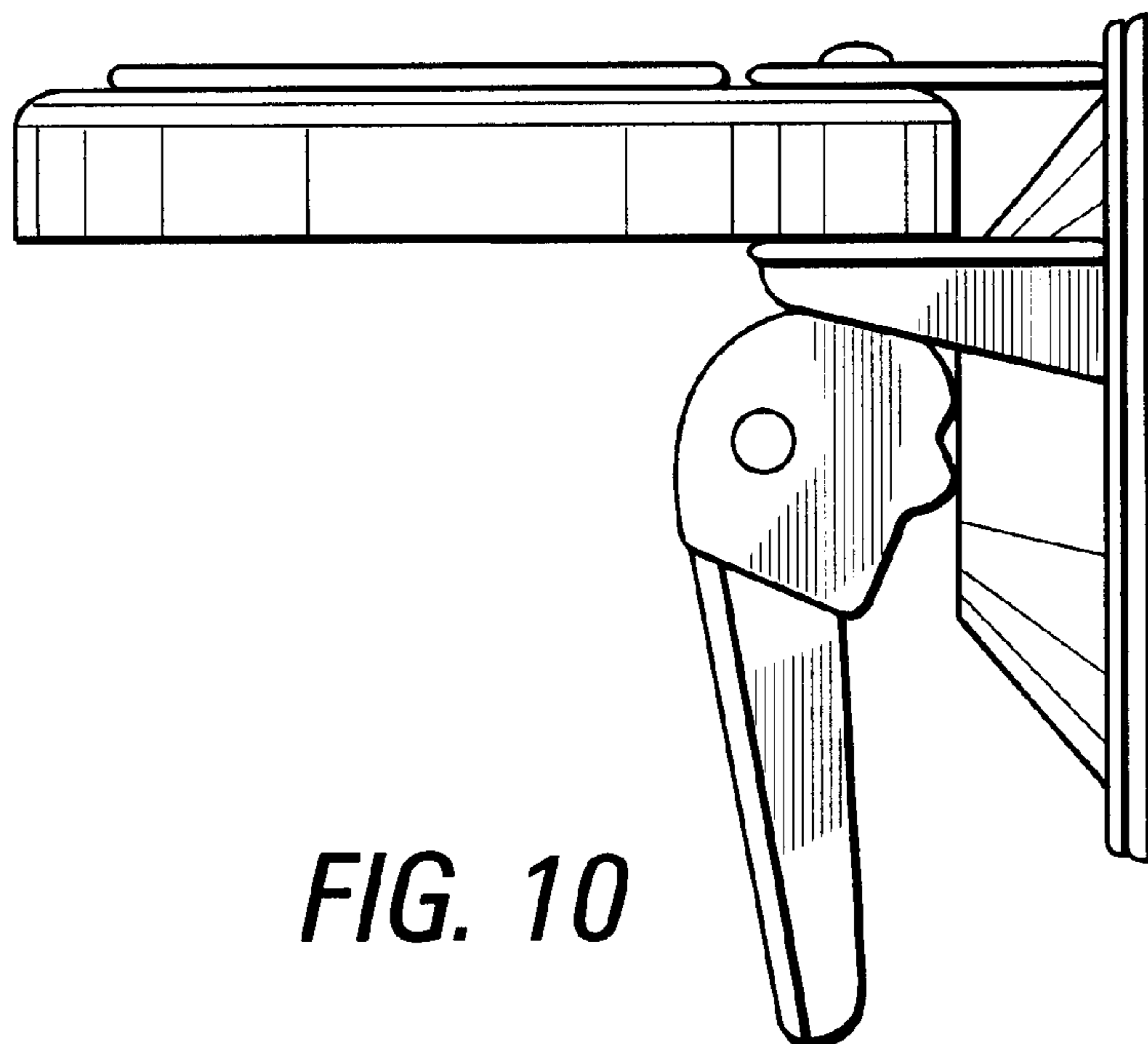


FIG. 8



*FIG. 9*



*FIG. 10*