



US00D527615S

(12) **United States Design Patent**  
**Osiecki et al.**

(10) **Patent No.:** **US D527,615 S**

(45) **Date of Patent:** **\*\* Sep. 5, 2006**

(54) **ESCUTCHEON PLATE FOR AN ENCLOSURE**

D465,401 S \* 11/2002 Polowinczak ..... D8/350  
D469,858 S \* 2/2003 Lord ..... D23/254  
D494,841 S \* 8/2004 Moon et al. .... D8/352

(75) Inventors: **Scott W. Osiecki**, Skaneateles, NY  
(US); **Donwoong Kang**, Syracuse, NY  
(US)

\* cited by examiner

(73) Assignee: **John D. Brush & Co., Inc.**, Rochester,  
NY (US)

*Primary Examiner*—Stella Reid  
*Assistant Examiner*—Mark A. Goodwin  
(74) *Attorney, Agent, or Firm*—Jaeckle Fleischmann &  
Mugel, LLP

(\*\*) **Term:** **14 Years**

(21) Appl. No.: **29/213,532**

(22) Filed: **Sep. 17, 2004**

(57) **CLAIM**

The ornamental design for an escutcheon plate for an enclosure, as shown and described.

(51) **LOC (8) Cl.** ..... **11-05**

(52) **U.S. Cl.** ..... **D8/350**

(58) **Field of Classification Search** ..... D8/350–353,  
D8/301, 330, 331; D23/254; 70/449, 450,  
70/452, 119, 207; 292/357

See application file for complete search history.

**DESCRIPTION**

FIG. 1 is a left front perspective view of an escutcheon plate for an enclosure showing our new design; FIG. 2 is a front view thereof; FIG. 3 is a top view thereof; FIG. 4 is a left side view thereof; and, FIG. 5 is a right side view thereof.

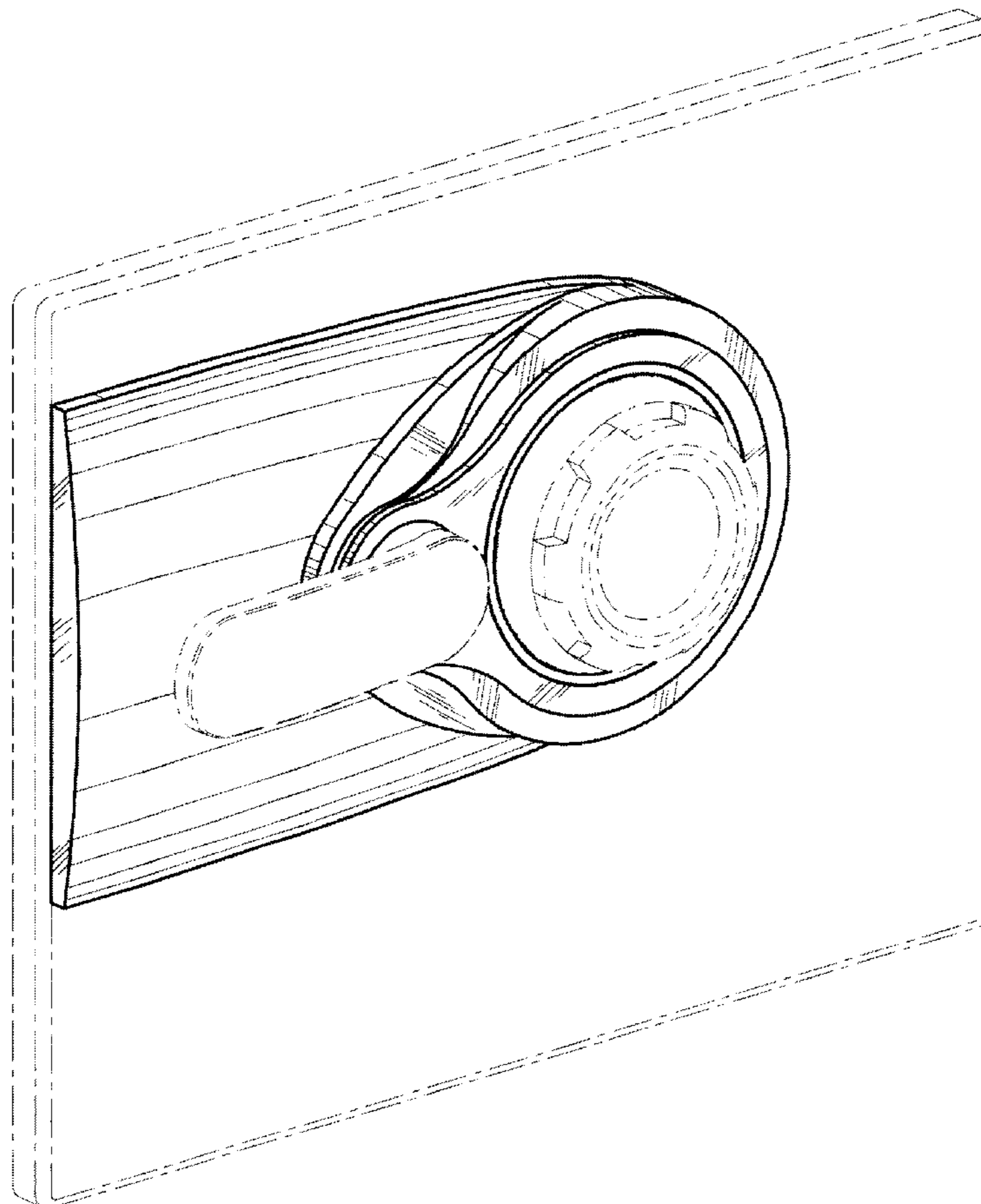
The broken lines showing the enclosure door in FIG. 1, the knob and dial in FIGS. 1–5, and the handle in FIGS. 1, 3 and 4 are for illustrative purposes and form no part of the claimed design.

(56) **References Cited**

**U.S. PATENT DOCUMENTS**

D411,732 S \* 6/1999 Chamberlain ..... D8/350  
D429,139 S \* 8/2000 Ahn ..... D8/301  
D435,288 S \* 12/2000 Milrud et al. .... D23/254

**1 Claim, 5 Drawing Sheets**



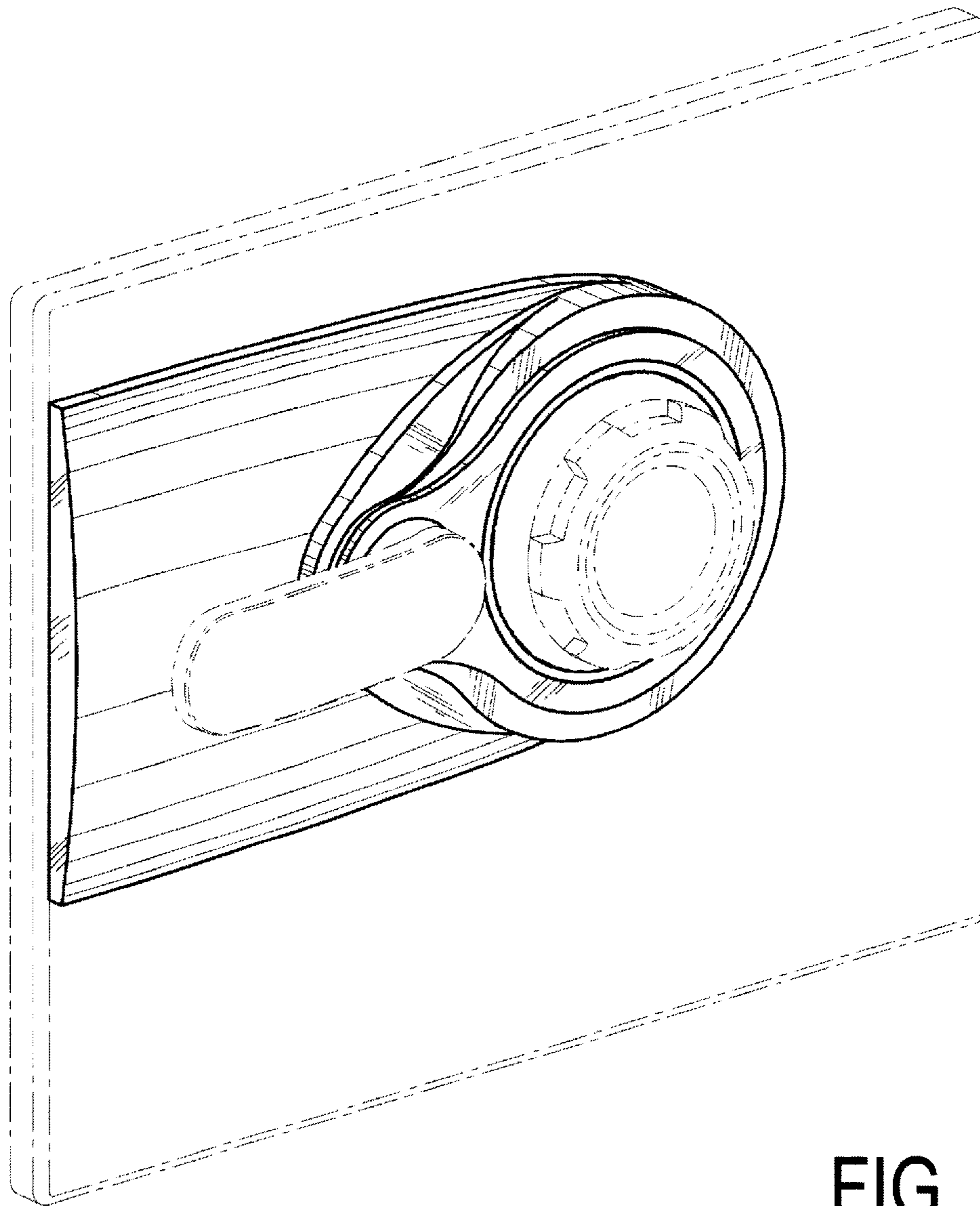


FIG. 1

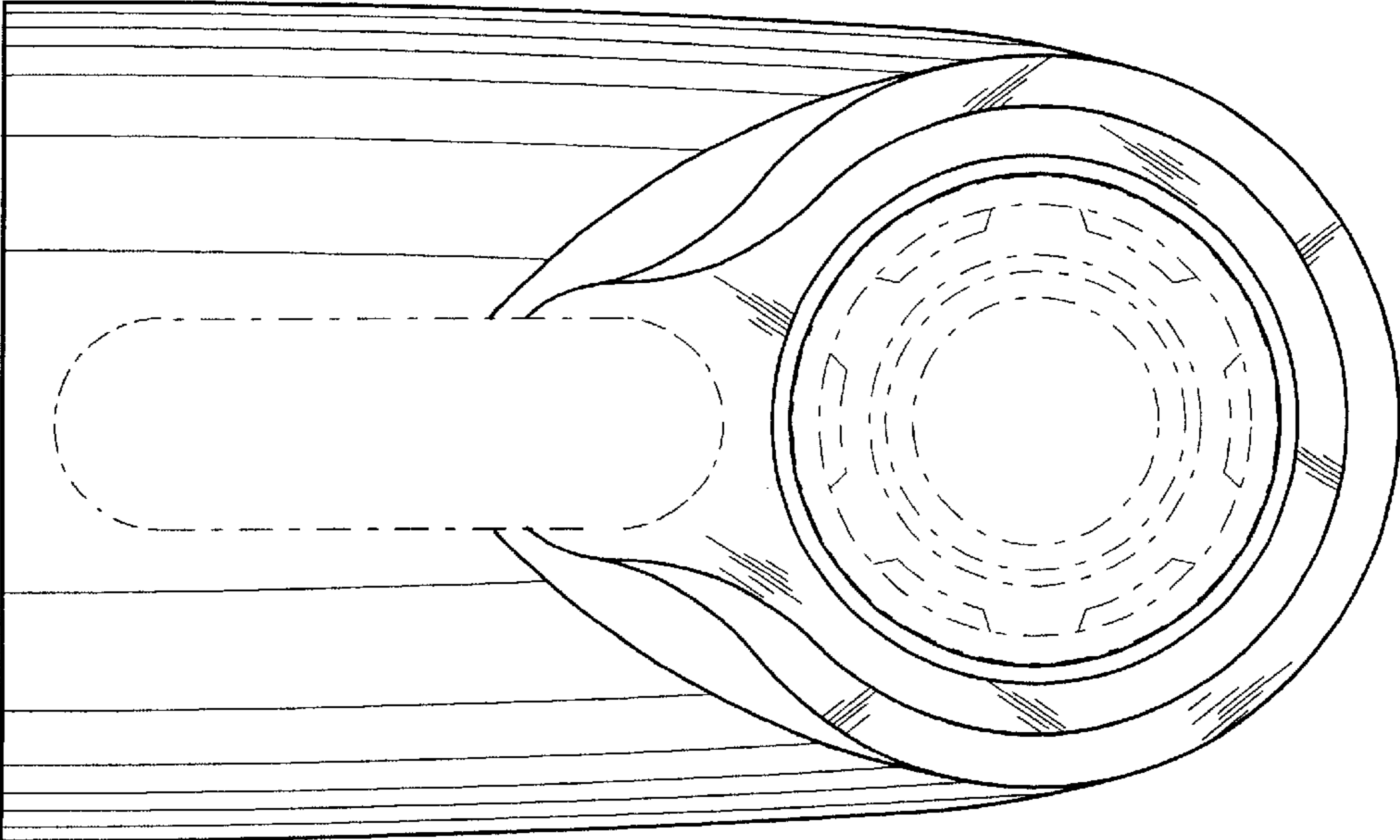


FIG. 2

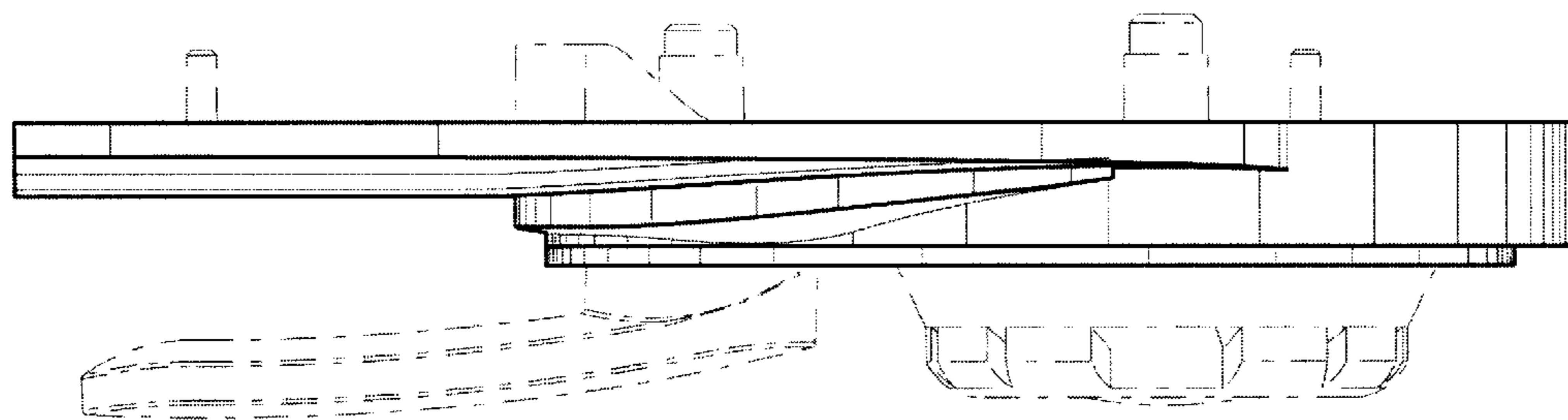


FIG. 3

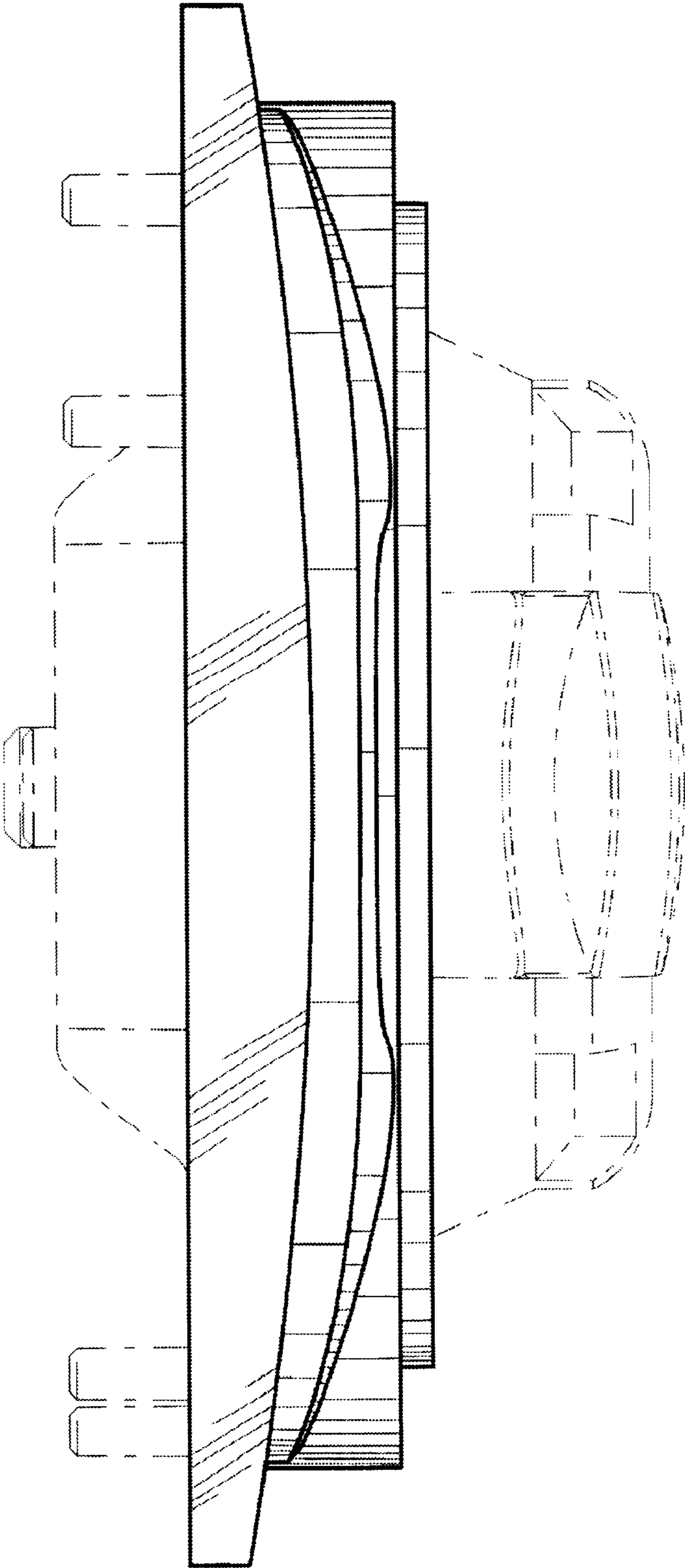


FIG. 4

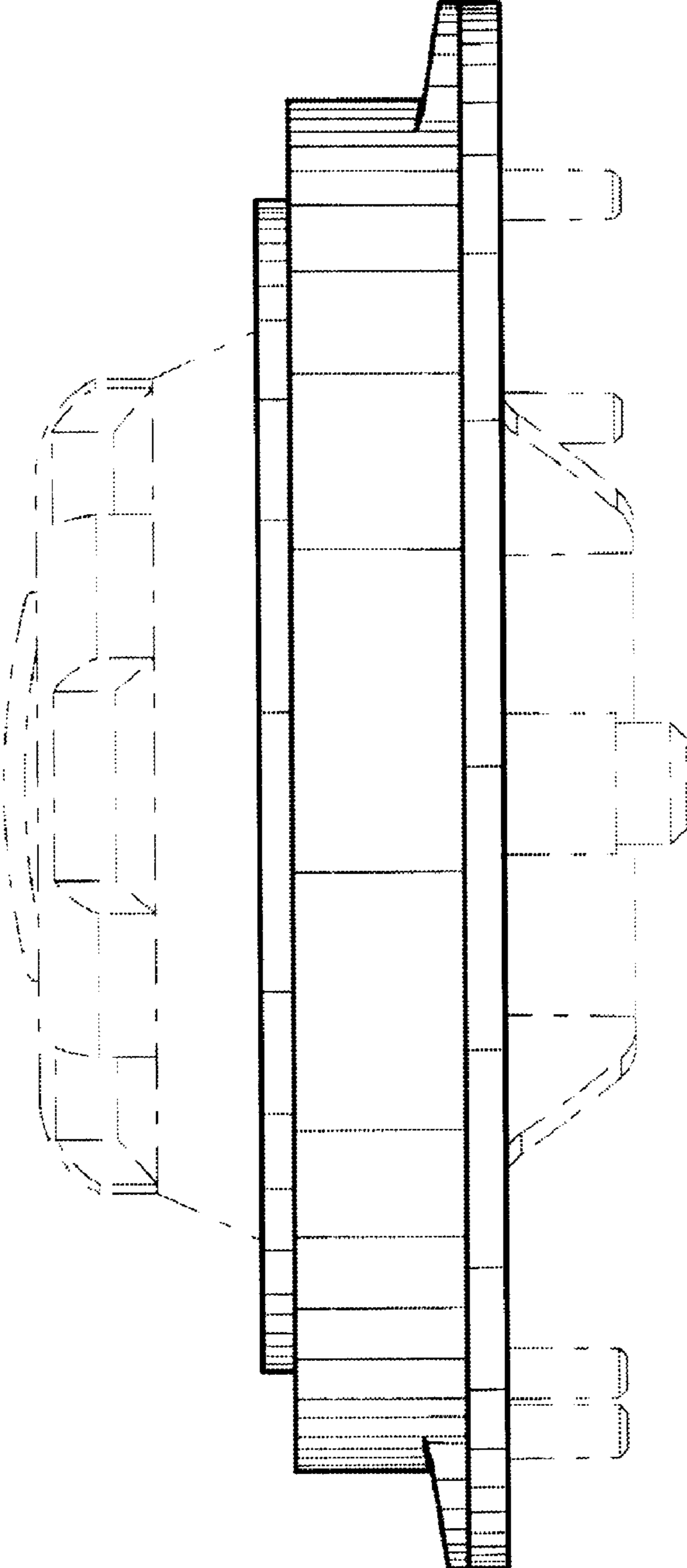


FIG. 5