



US00D527613S

(12) **United States Design Patent**  
**Omangi et al.**

(10) **Patent No.:** **US D527,613 S**  
(45) **Date of Patent:** **\*\* Sep. 5, 2006**

(54) **LOCK HOUSING**  
(75) Inventors: **Geoffrey Osoro Omangi**, Owatonna, MN (US); **Timothy Todd Frenzen**, Owatonna, MN (US)  
(73) Assignee: **Truth Hardware Corporation**, Owatonna, MN (US)  
(\*\*) Term: **14 Years**  
(21) Appl. No.: **29/228,755**  
(22) Filed: **Apr. 27, 2005**  
(51) **LOC (8) Cl.** ..... **08-07**  
(52) **U.S. Cl.** ..... **D8/331**  
(58) **Field of Classification Search** ..... D8/330, D8/331, 343, 300, 301, 302; 70/141; 292/336.3, 292/347, 358, 359, DIG. 20, DIG. 47, 217, 292/224, 202, 204  
See application file for complete search history.

D215,080 S 9/1969 Ahlgren  
3,600,019 A 8/1971 Toyota et al.  
3,645,573 A 2/1972 Strang  
3,768,847 A 10/1973 Buck, Jr. et al.  
3,785,684 A 1/1974 Nakanishi  
3,811,718 A 5/1974 Bates  
3,984,136 A 10/1976 Bills  
4,095,829 A 6/1978 Van Klompenburg  
D248,617 S \* 7/1978 Cavalucci ..... D8/337  
4,223,930 A 9/1980 Costello et al.  
4,253,688 A 3/1981 Hosooka  
4,293,154 A 10/1981 Cassells  
D268,643 S 4/1983 Anderson  
4,565,078 A 1/1986 Solomon  
4,610,472 A 9/1986 Billingsley  
4,611,841 A 9/1986 Ravinet  
4,621,847 A 11/1986 Paulson et al.  
4,699,406 A 10/1987 Swanson, Jr.  
D293,548 S 1/1988 Bates et al.  
D295,019 S 4/1988 Bocson  
4,736,972 A 4/1988 Mosch  
D295,948 S 5/1988 Mandell  
D296,982 S 8/1988 White et al.  
4,801,164 A 1/1989 Mosch  
4,826,222 A 5/1989 Davis  
D302,651 S 8/1989 Mosch

(56) **References Cited**

**U.S. PATENT DOCUMENTS**

110,733 A 1/1871 Breckenridge  
112,717 A 3/1871 Judd  
126,754 A 5/1872 Sparks  
197,848 A 12/1877 Griscom  
423,761 A 3/1890 Hasenpflug  
561,426 A 7/1896 Hubbard  
661,404 A 11/1900 Hubbard et al.  
835,333 A 11/1906 Tauveron et al.  
1,122,026 A 12/1914 O'Rourke  
1,651,048 A 11/1927 Talbot  
1,794,171 A 2/1931 Grutel  
1,901,974 A 3/1933 Macy  
2,135,105 A 11/1938 Knauff  
2,422,723 A 6/1947 Fisher  
2,506,879 A 5/1950 Lieb  
D179,048 S 10/1956 Ahlgren  
2,997,323 A \* 8/1961 Riser ..... 292/111  
3,055,996 A 9/1962 Beebe et al.  
3,082,617 A 3/1963 Kerman  
3,135,542 A \* 6/1964 Wilkinson ..... 292/204  
D211,452 S 6/1968 Petrell

(Continued)

*Primary Examiner*—Prabhakar Deshmukh  
(74) *Attorney, Agent, or Firm*—Patterson, Thunte, Skaar & Christensen, P.A.

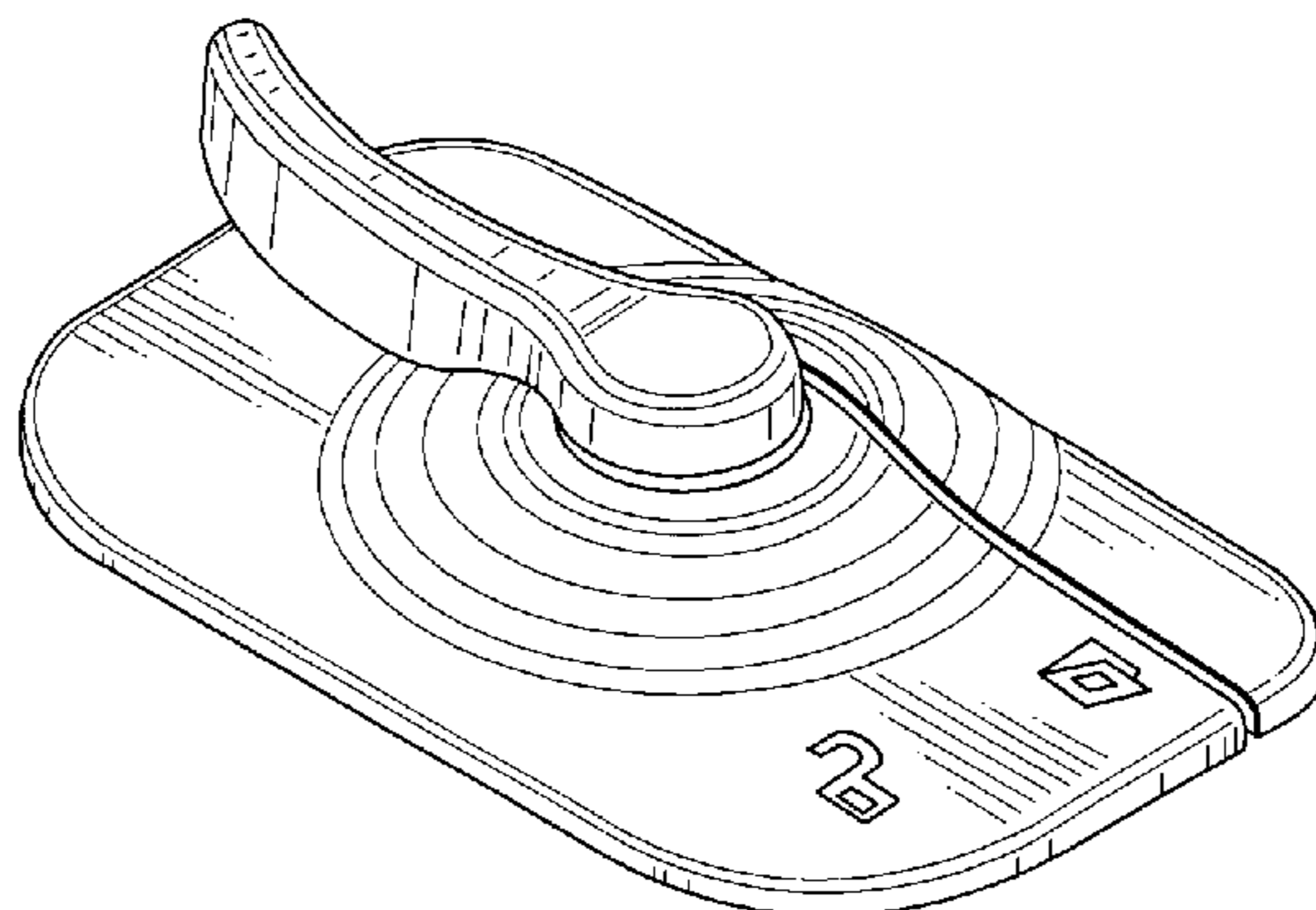
(57) **CLAIM**

We claim the ornamental design for lock housing, as shown.

**DESCRIPTION**

FIG. 1 is a perspective view of a lock housing showing our new design;  
FIG. 2 is a top plan view thereof;  
FIG. 3 is a left side elevational view thereof;  
FIG. 4 is a right side elevational view thereof;  
FIG. 5 is a front elevational view thereof; and,  
FIG. 6 is a rear elevational view thereof.  
FIGS. 3–6 are shown in reduced scale.

**1 Claim, 1 Drawing Sheet**



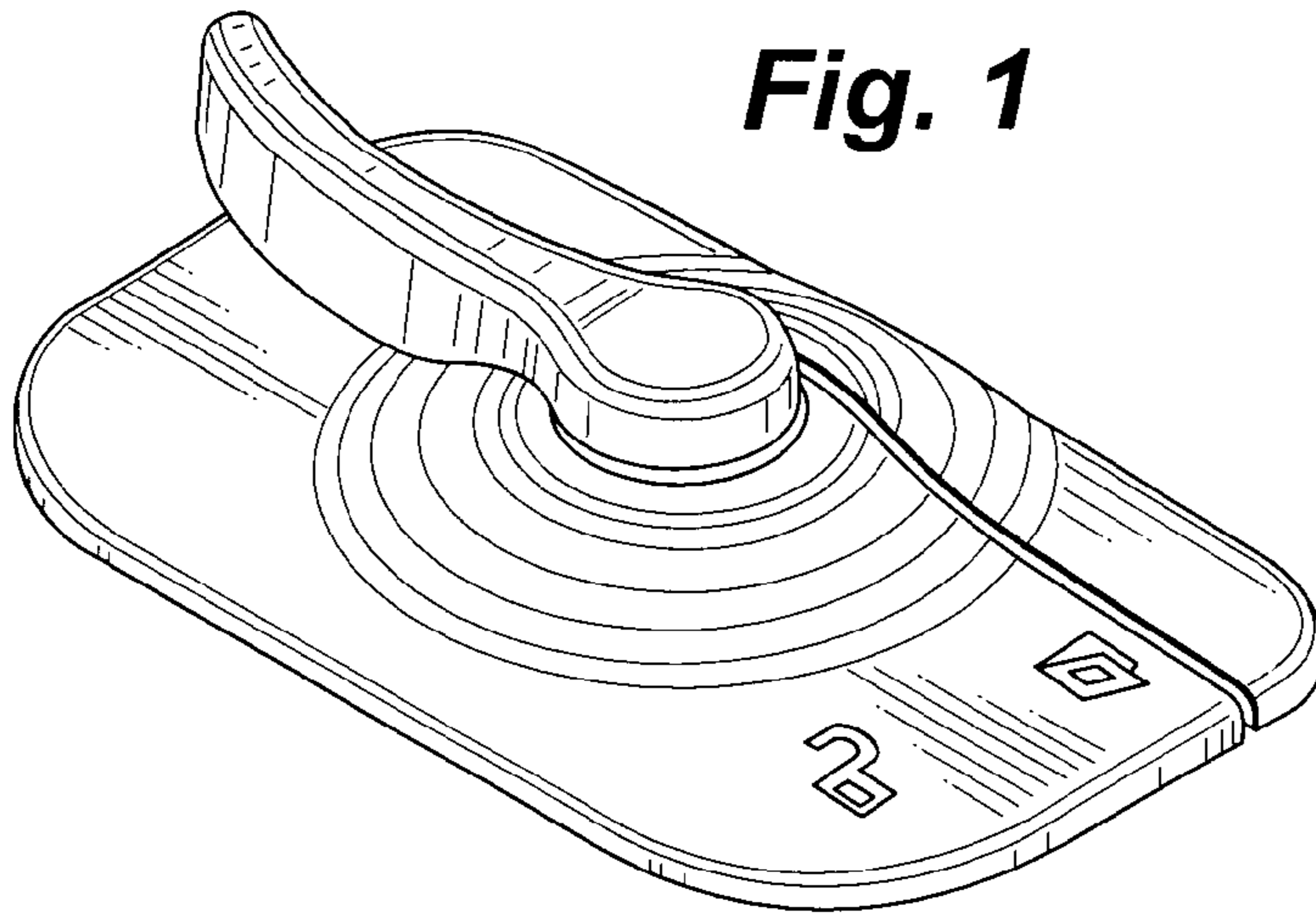
# US D527,613 S

Page 2

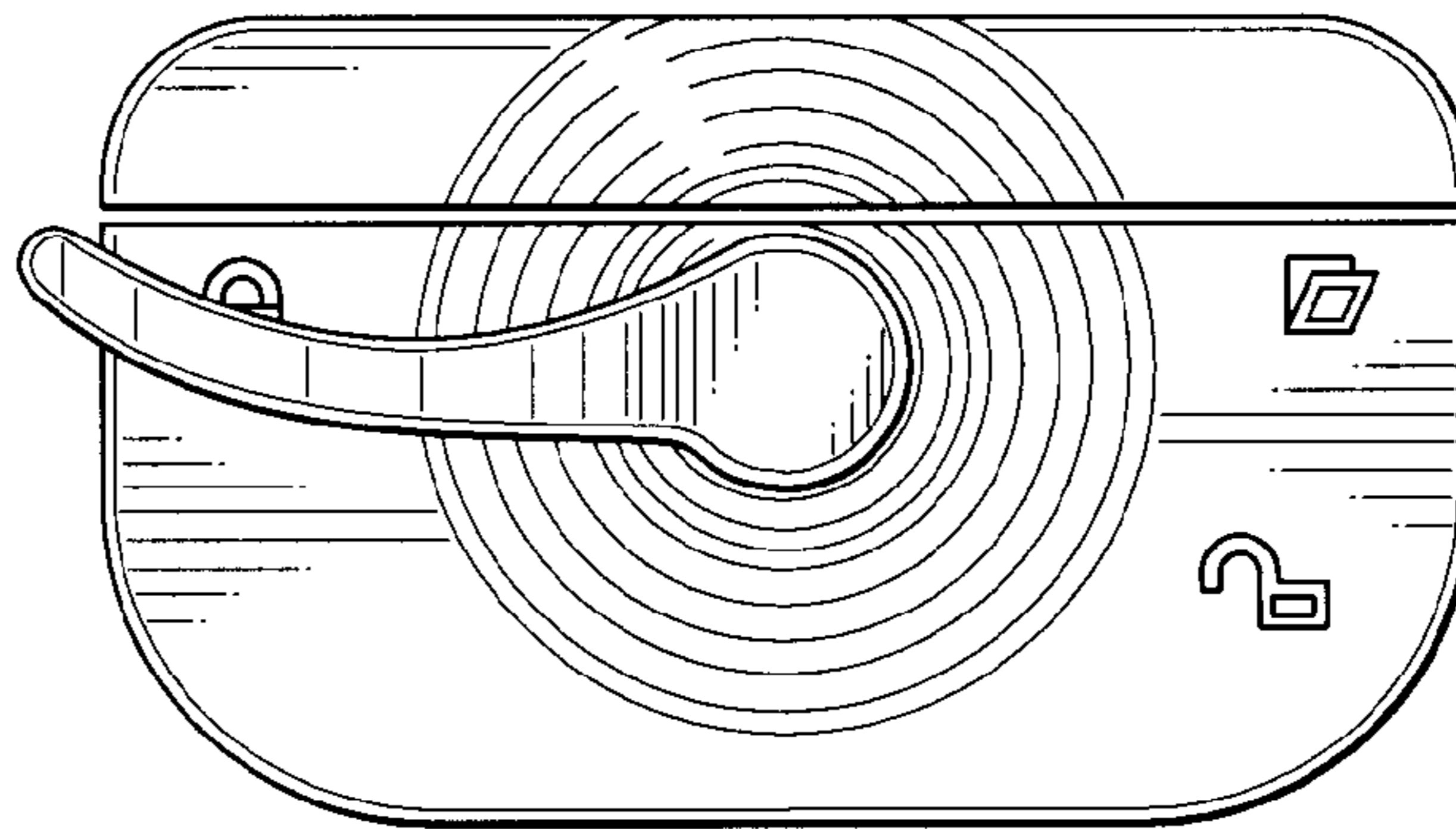
---

U.S. PATENT DOCUMENTS					
4,896,905 A	1/1990	Lehr et al.	5,620,214 A *	4/1997	Kondratuk ..... 292/217
D315,542 S	3/1991	Dalton et al.	D380,957 S	7/1997	Evans et al.
D316,509 S	4/1991	Nolte	5,669,639 A	9/1997	Lawrence
5,042,855 A	8/1991	Bennett et al.	D391,826 S	3/1998	Diebel
5,087,087 A	2/1992	Vetter et al.	5,741,032 A *	4/1998	Chaput ..... 292/202
5,110,165 A	5/1992	Piltingsrud	D408,263 S	4/1999	Briggs
5,161,839 A	11/1992	Piltingsrud et al.	5,927,771 A *	7/1999	Simon et al. .... 292/241
5,172,944 A	12/1992	Munich et al.	D418,737 S	1/2000	Libby et al.
D334,132 S	3/1993	Wobschall et al.	6,142,541 A	11/2000	Rotondi
5,219,193 A	6/1993	Piltingsrud	D442,058 S	5/2001	Miller et al.
5,326,141 A	7/1994	Gorman	6,485,070 B1	11/2002	Schultz
D366,409 S	1/1996	Delaske	D471,422 S *	3/2003	Ellis et al. .... D8/301
D369,741 S *	5/1996	Harrison et al. .... D8/400	6,634,683 B1	10/2003	Brannan
D371,290 S	7/1996	Ozark	6,865,913 B1 *	3/2005	Yamagishi ..... 70/224
5,582,442 A	12/1996	Nolte			

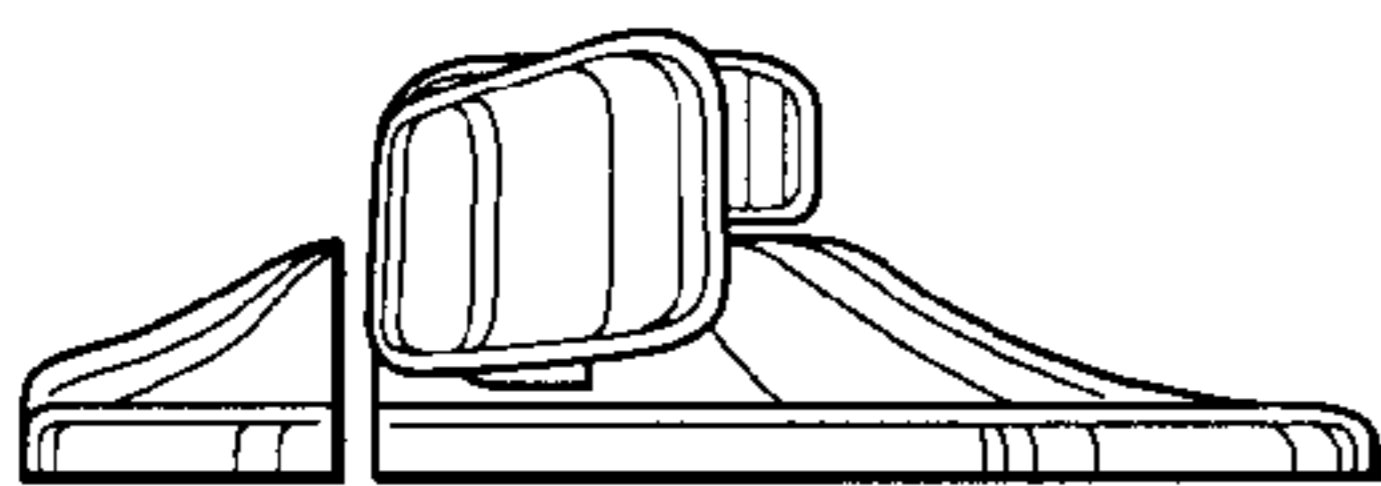
\* cited by examiner



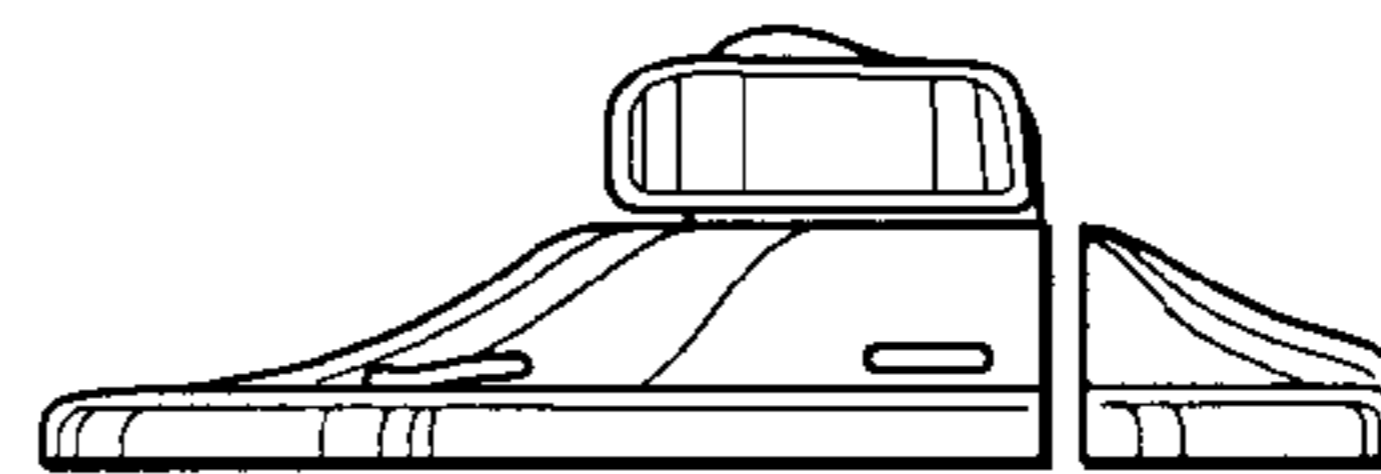
**Fig. 2**



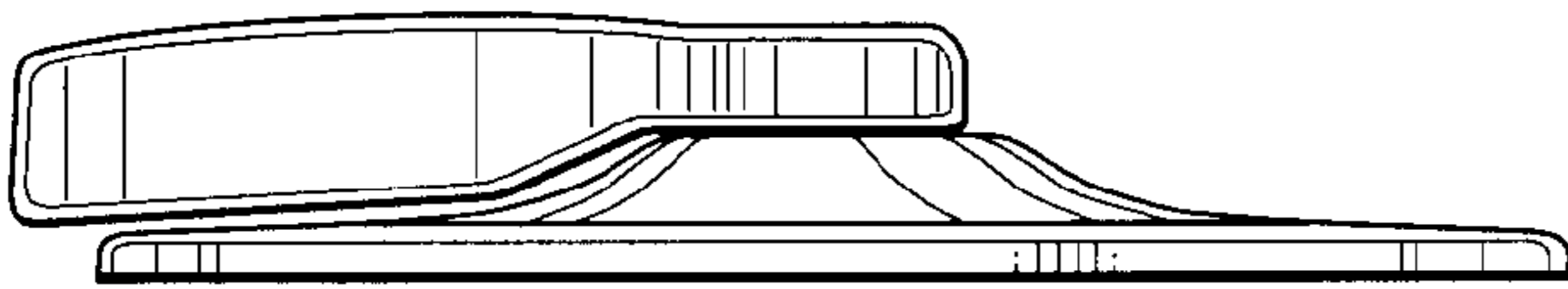
**Fig. 3**



**Fig. 4**



**Fig. 5**



**Fig. 6**

