

US00D527611S

(12) **United States Design Patent**  
**Sato**

(10) **Patent No.:** **US D527,611 S**  
(45) **Date of Patent:** **\*\* Sep. 5, 2006**

(54) **KNOB FOR FURNITURE**  
(75) Inventor: **Genichi Sato**, Chiyoda-ku (JP)  
(73) Assignee: **Sugatsune Kogyo Co. Ltd.**, Tokyo (JP)  
(\*\*) Term: **14 Years**

3,391,419 A \* 7/1968 Thorne-Thomsen ..... 16/441  
D268,358 S \* 3/1983 Saporito et al. .... D23/250  
D327,834 S \* 7/1992 Reid ..... D8/310  
D467,312 S \* 12/2002 Singtoroj ..... D23/250  
D511,290 S \* 11/2005 Coudurier ..... D8/310

\* cited by examiner

(21) Appl. No.: **29/229,451**  
(22) Filed: **May 9, 2005**

*Primary Examiner*—Paula A. Greene  
(74) *Attorney, Agent, or Firm*—Bacon & Thomas

(30) **Foreign Application Priority Data**

Nov. 9, 2004 (JP) ..... 2004-034065

(57) **CLAIM**

The ornamental design for knob for furniture, as shown and described.

(51) **LOC (8) Cl.** ..... **08-06**  
(52) **U.S. Cl.** ..... **D8/310; D8/307**  
(58) **Field of Classification Search** ..... D8/300,  
D8/307, 310, 313, 314; D13/171, 174; D23/250–252;  
16/441, 443, 444, 446  
See application file for complete search history.

**DESCRIPTION**

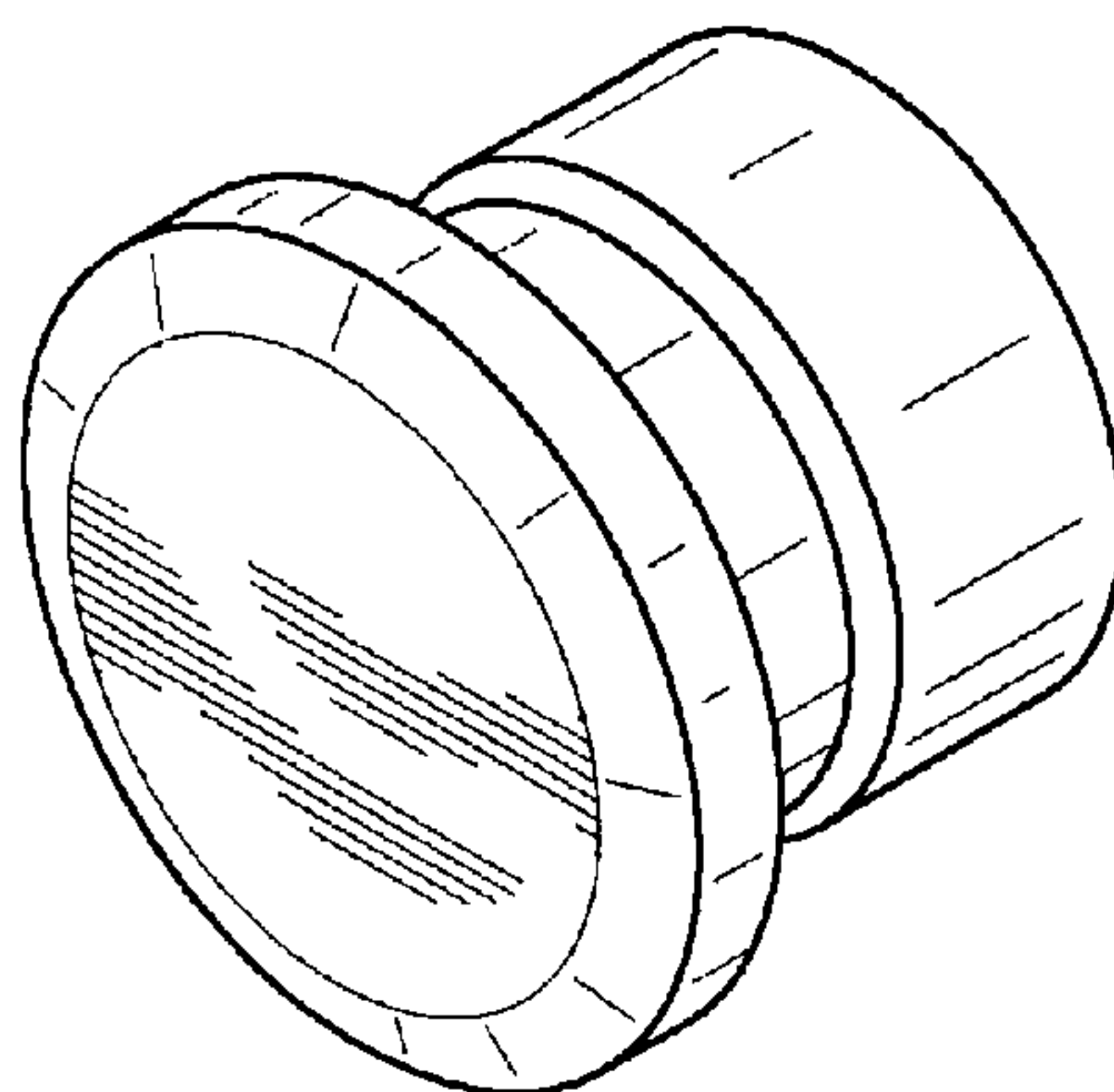
FIG. 1 is a front elevation view of knob for furniture embodying my new design;  
FIG. 2 is a right side view thereof;  
FIG. 3 is a plan view thereof;  
FIG. 4 is a rear view thereof;  
FIG. 5 is a sectional view along A—A line in FIG. 1 thereof;  
and,  
FIG. 6 is a perspective view thereof.

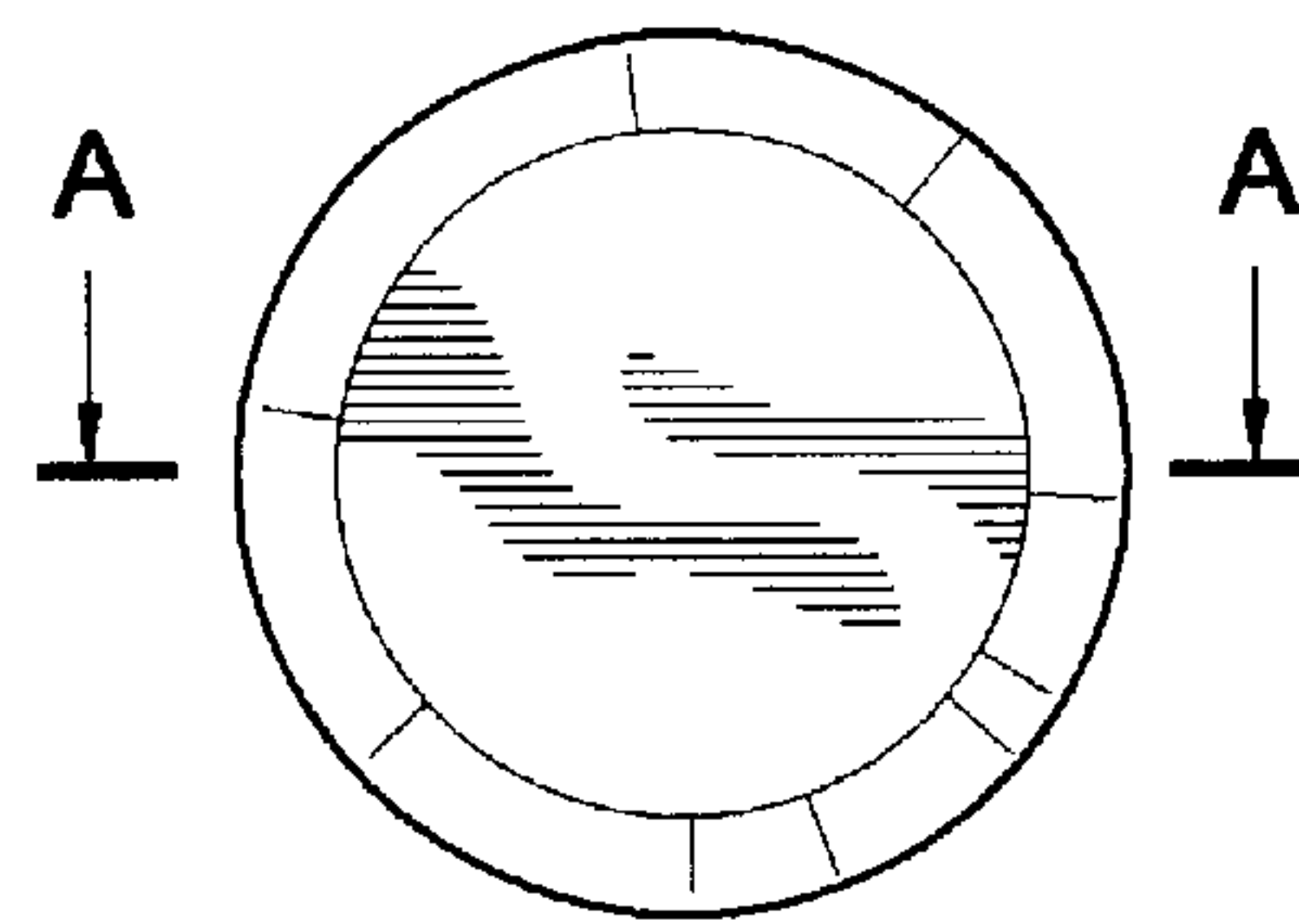
(56) **References Cited**

**U.S. PATENT DOCUMENTS**

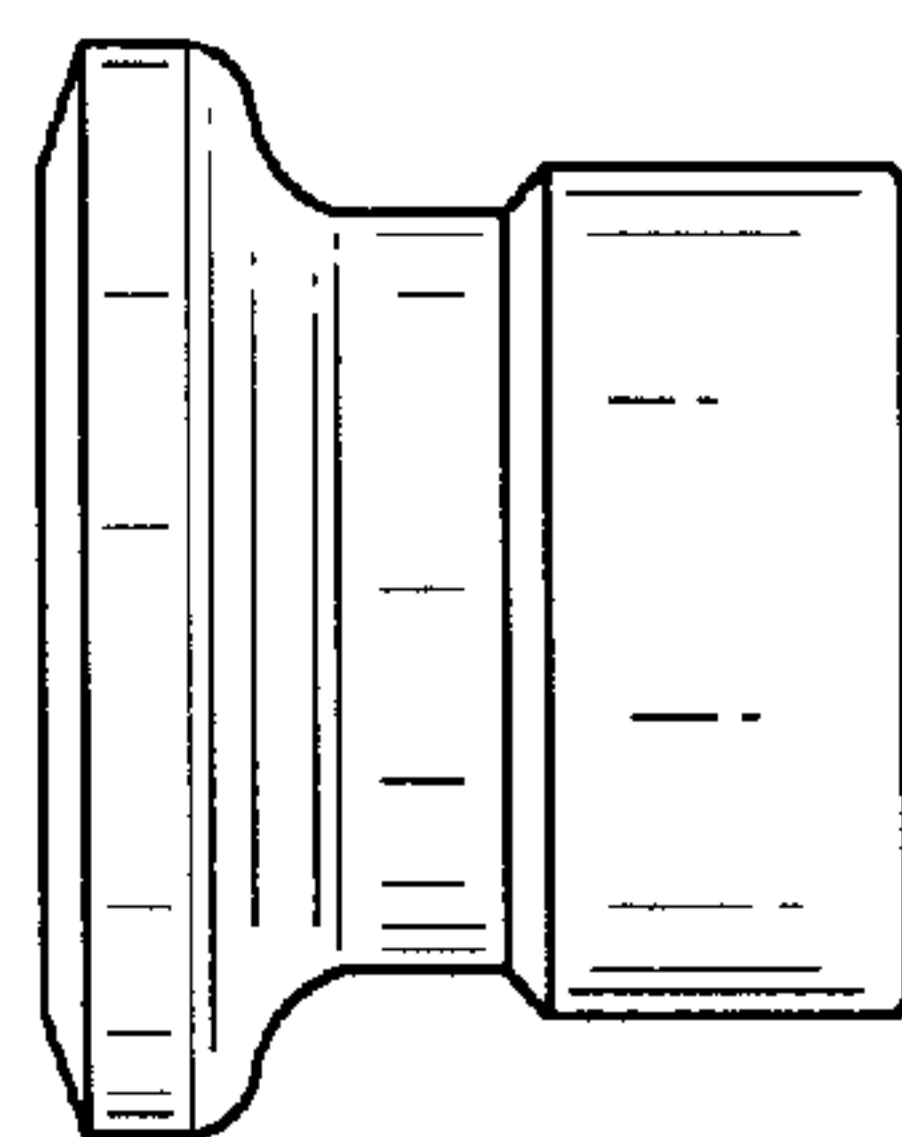
963,053 A \* 7/1910 Lockwood ..... 16/441  
D185,635 S \* 7/1959 Gerlach ..... D8/310

**1 Claim, 2 Drawing Sheets**

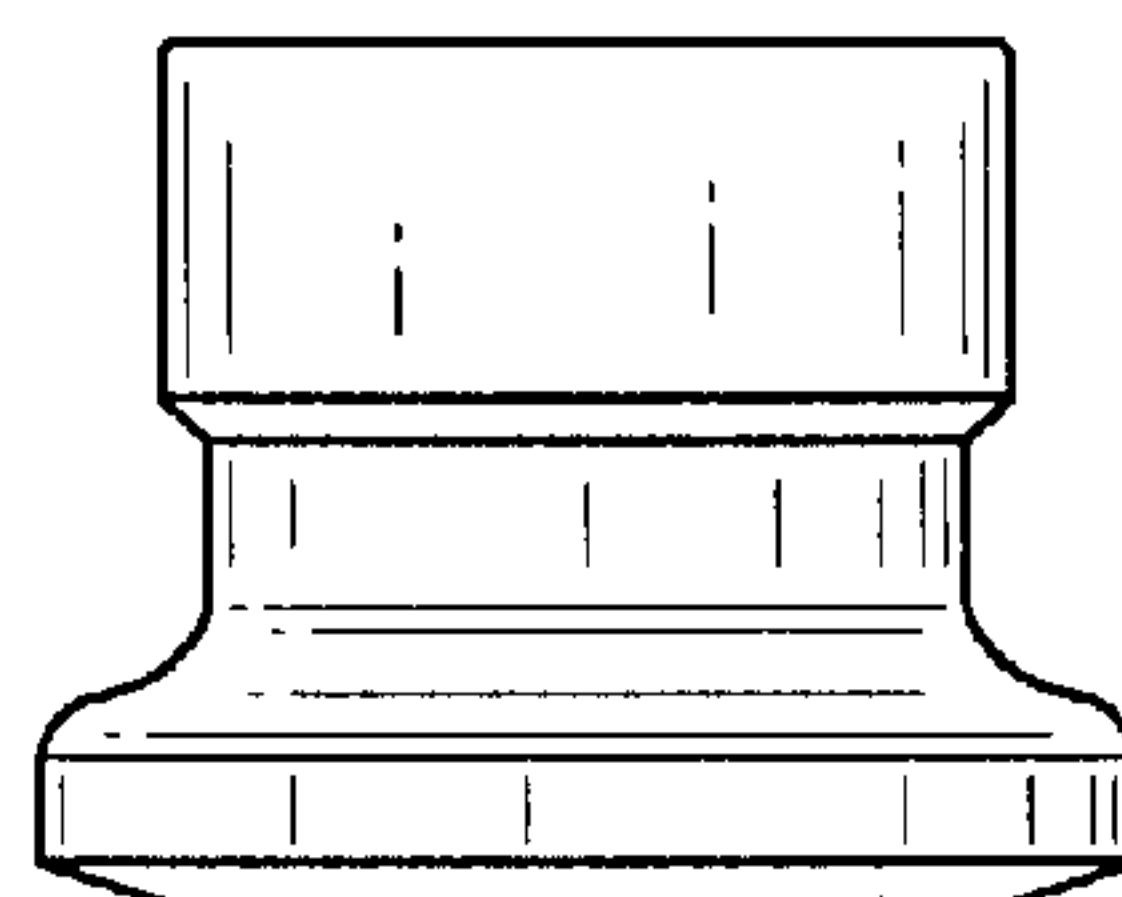




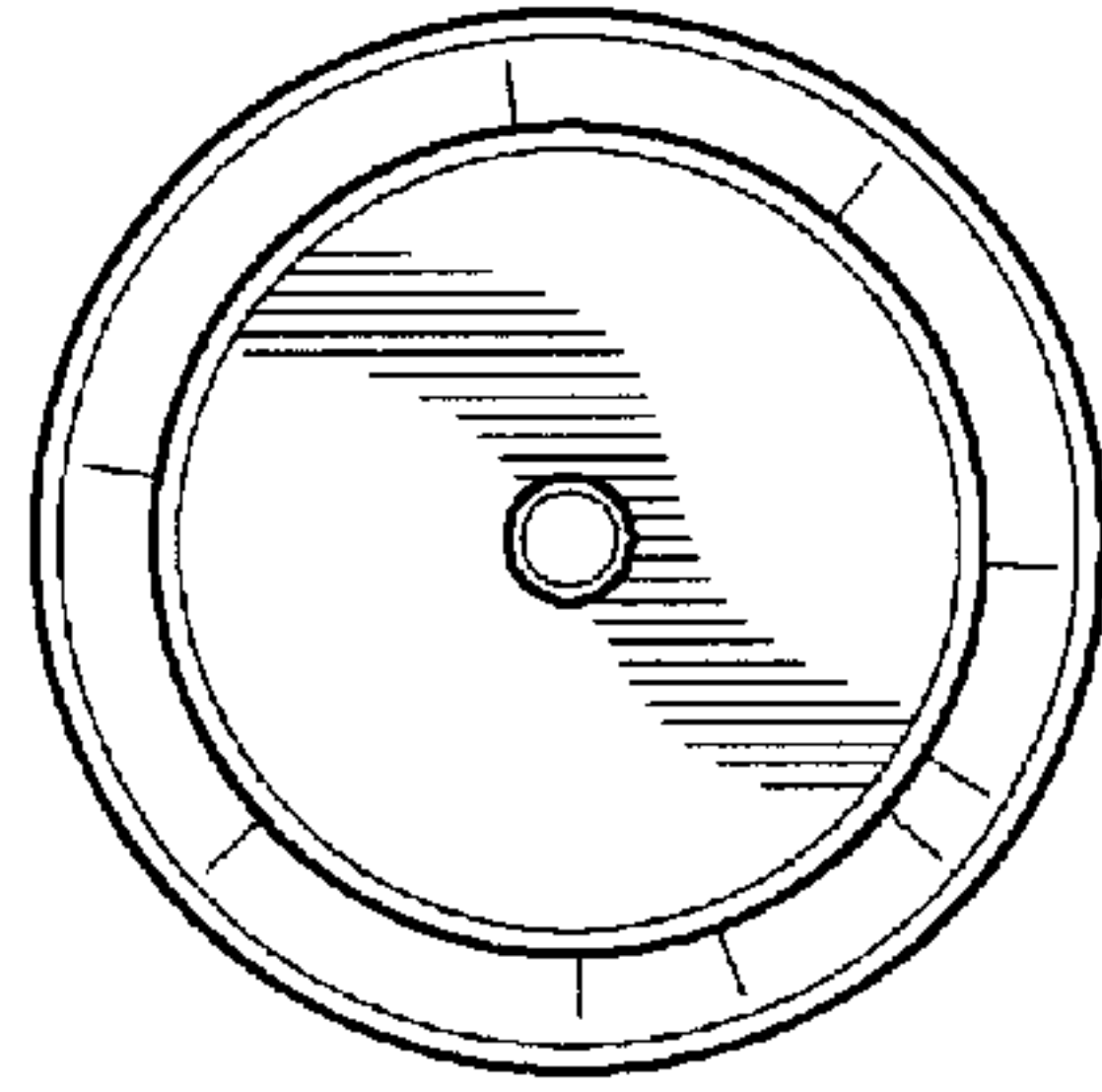
**FIG. 1**



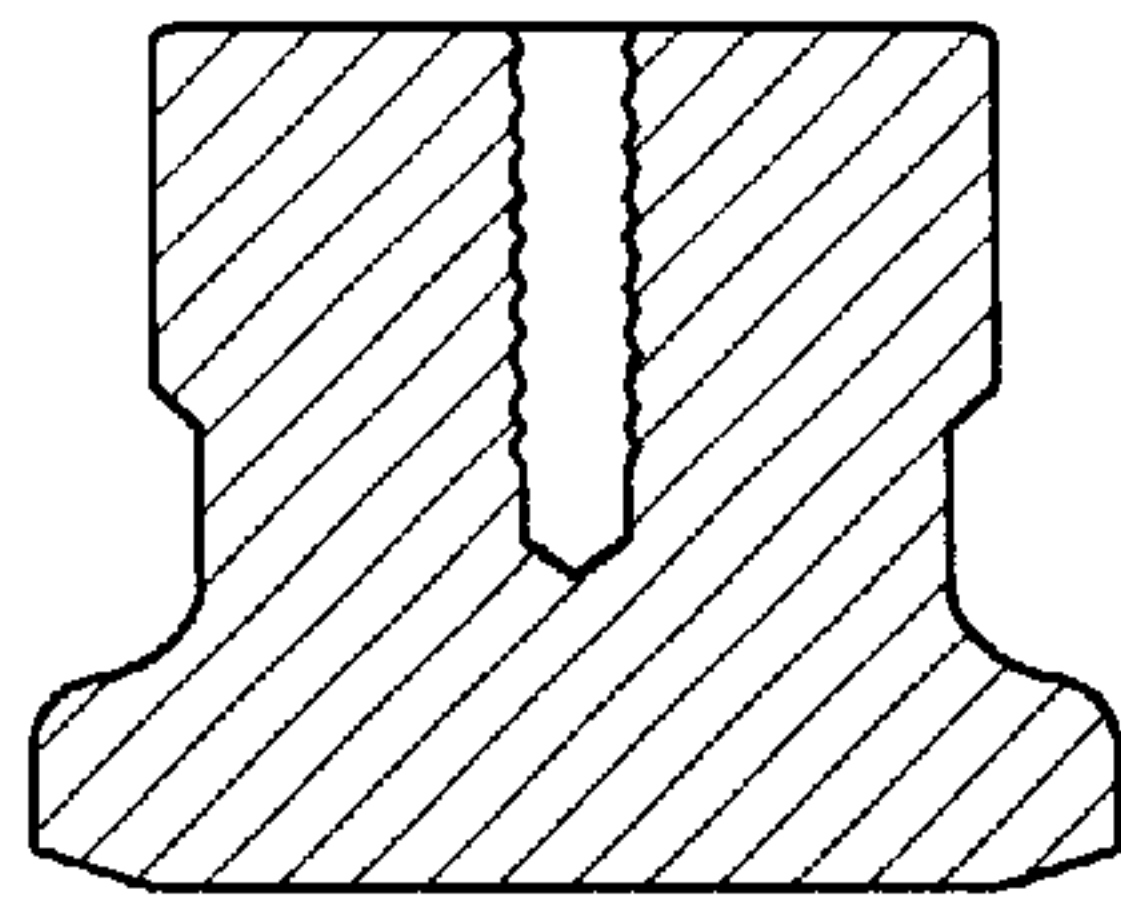
**FIG. 2**



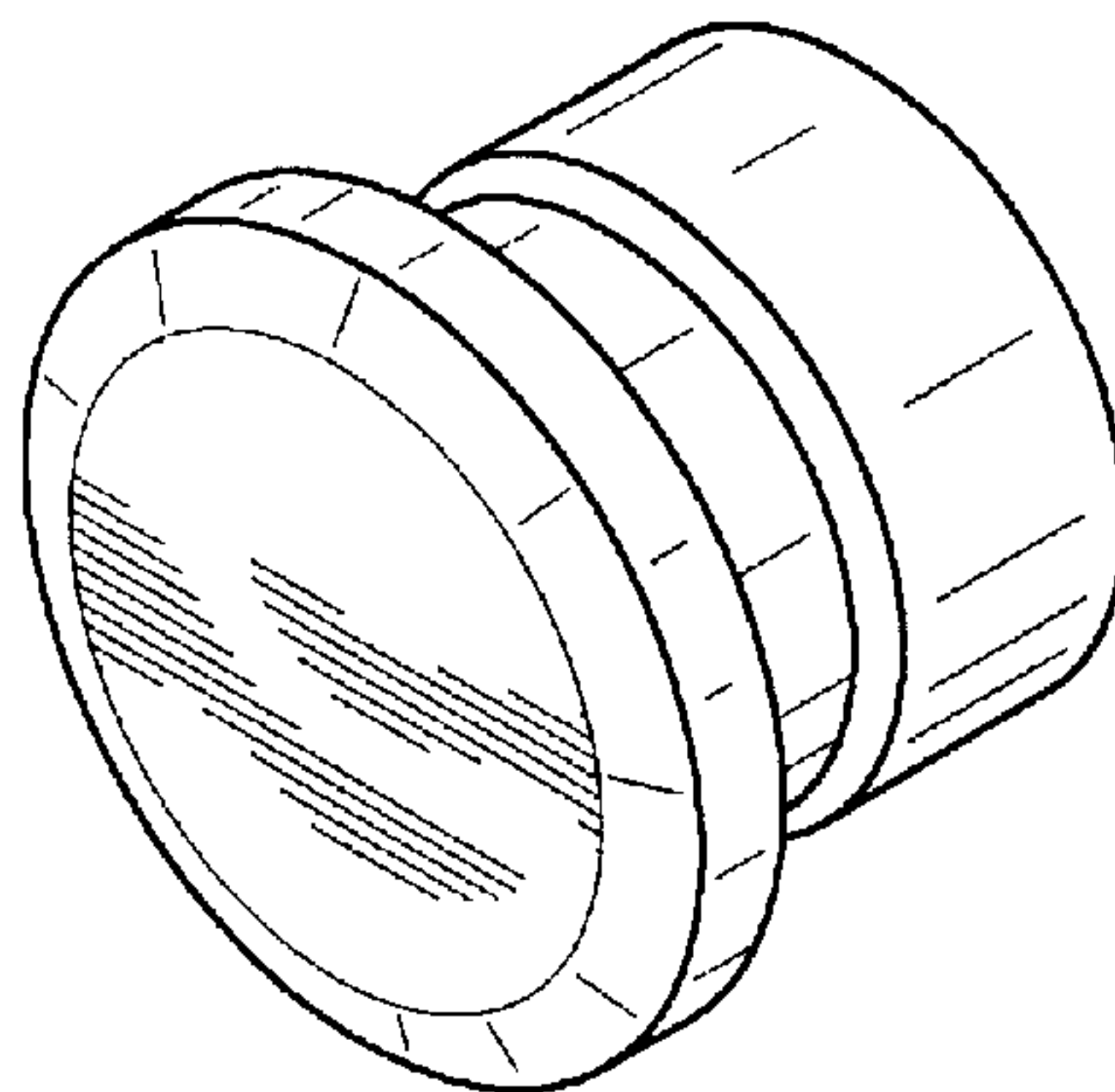
**FIG. 3**



**FIG. 4**



**FIG. 5**



**FIG. 6**