



US00D527610S

(12) **United States Design Patent**
Morris

(10) **Patent No.:** **US D527,610 S**

(45) **Date of Patent:** **** Sep. 5, 2006**

(54) **HANDLE AND TRIM**

(76) **Inventor:** **Eric D. Morris**, 2110-12 Tryon St.,
Philadelphia, PA (US) 19146

(**) **Term:** **14 Years**

(21) **Appl. No.:** **29/242,784**

(22) **Filed:** **Nov. 15, 2005**

Related U.S. Application Data

(62) Division of application No. 29/210,401, filed on Jul. 30,
2004.

(51) **LOC (8) Cl.** **08-06**

(52) **U.S. Cl.** **D8/307; D8/308**

(58) **Field of Classification Search** D8/307,
D8/308, 314, 309, 315, 320, 341, 350, 393;
D23/250-252; 292/177, 336.3, 347, 348;
70/153, 341

See application file for complete search history.

(56) **References Cited**

U.S. PATENT DOCUMENTS

D64,095 S	*	2/1924	Yates	D8/307
D65,214 S		7/1924	Auld		
D76,761 S		10/1928	Devereaux		
D80,519 S	*	2/1930	Graff	D8/308
D80,620 S		3/1930	Graff		
1,800,707 A		4/1931	Wartian		
2,058,163 A		10/1936	Malone		
D102,288 S	*	12/1936	Murrin	D8/314

2,190,192 A	*	2/1940	Raymond	16/417
2,208,592 A		7/1940	Mariani		
D171,486 S		2/1954	Borchers et al.		
2,665,932 A		10/1954	Moler		
D189,126 S	*	11/1960	Maffei	D8/307
D252,317 S	*	7/1979	Clayton	D8/350
D285,246 S	*	8/1986	Fetty	D23/250

OTHER PUBLICATIONS

Yale, Inc., four (4) photographs (identified Sheets 1 through 4) of handles and trim.

* cited by examiner

Primary Examiner—Paula A. Greene

(74) *Attorney, Agent, or Firm*—Caesar, Rivise, Bernstein, Cohen & Pokotilow, Ltd.

(57) **CLAIM**

The ornamental design for the handle and trim, as shown and described.

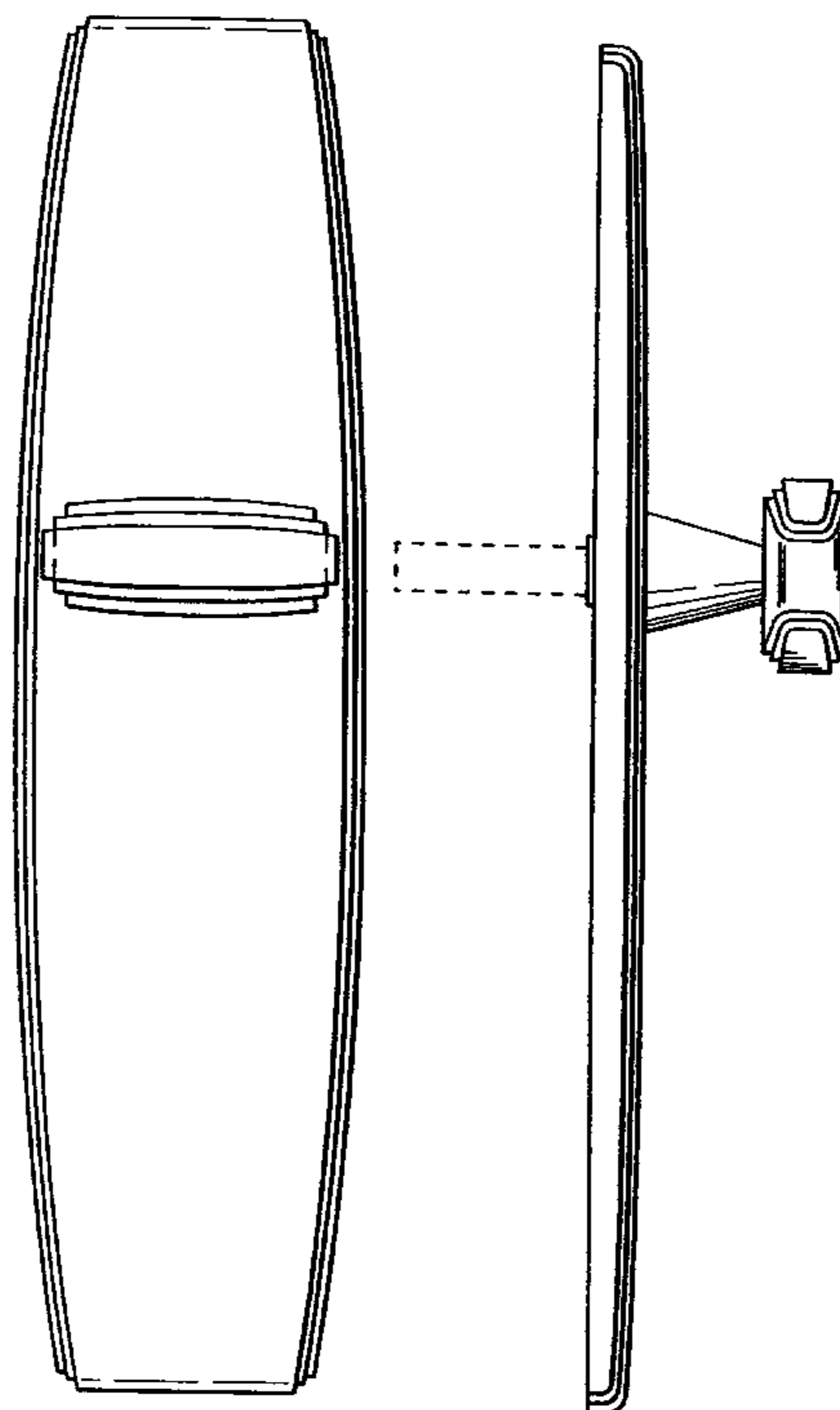
DESCRIPTION

FIG. 1 is a front elevational view of a handle and trim showing my new design, the undisclosed rear is not part of the claimed design; and,

FIG. 2 is a side elevational view, the opposite side is a mirror image.

The dashed lines shown in the figures represent environmental subject matter and form no part of the claimed design.

1 Claim, 1 Drawing Sheet



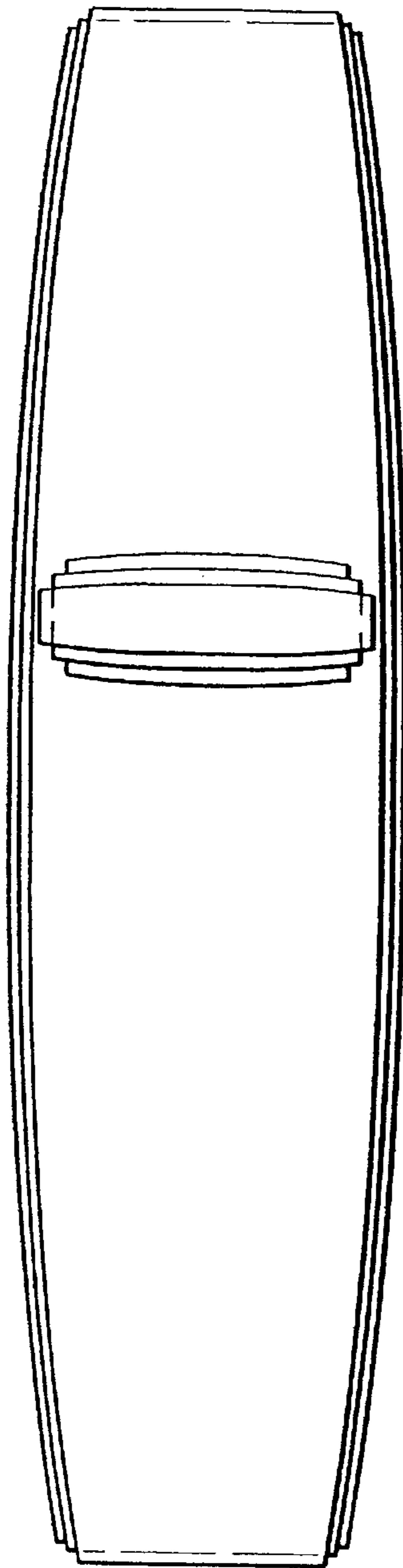


FIG. 1

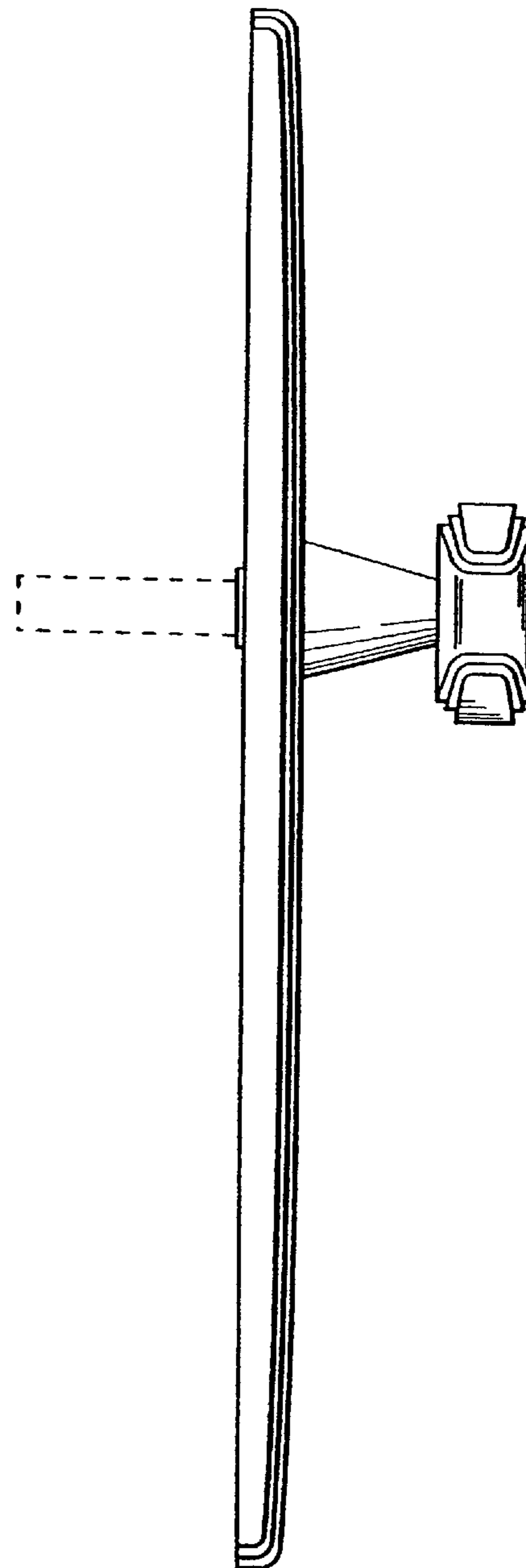


FIG. 2