

US00D527609S

(12) **United States Design Patent**
Tellinghuisen

(10) **Patent No.:** **US D527,609 S**

(45) **Date of Patent:** **** Sep. 5, 2006**

(54) **DICE TOILET SEAT HANDLE**

(76) **Inventor:** **Gordon A. Tellinghuisen**, 6871 Fourth St., Place N, Oakdale, MN (US) 55128

(**) **Term:** **14 Years**

(21) **Appl. No.:** **29/234,172**

(22) **Filed:** **Jul. 14, 2005**

(51) **LOC (8) Cl.** **08-06**

(52) **U.S. Cl.** **D8/307**

(58) **Field of Classification Search** D8/306-308;
D23/303, 309, 311, 252; D21/372, 373; 4/234,
4/240, 241, 246.1; 273/146
See application file for complete search history.

(56) **References Cited**

U.S. PATENT DOCUMENTS

2,758,315	A	*	8/1956	Hylton	4/246.1
D245,095	S	*	7/1977	Murray	D8/307
D329,186	S	*	9/1992	Sorensen	D8/307
D351,550	S	*	10/1994	Clark et al.	D8/307
D363,976	S	*	11/1995	Vinal	D23/252

D373,819	S	*	9/1996	Suynov	D23/311
5,620,183	A	*	4/1997	Skratulia	273/146
D379,497	S	*	5/1997	Renfro et al.	D8/307

* cited by examiner

Primary Examiner—Paula A. Greene

(74) *Attorney, Agent, or Firm*—Dale J. Ream

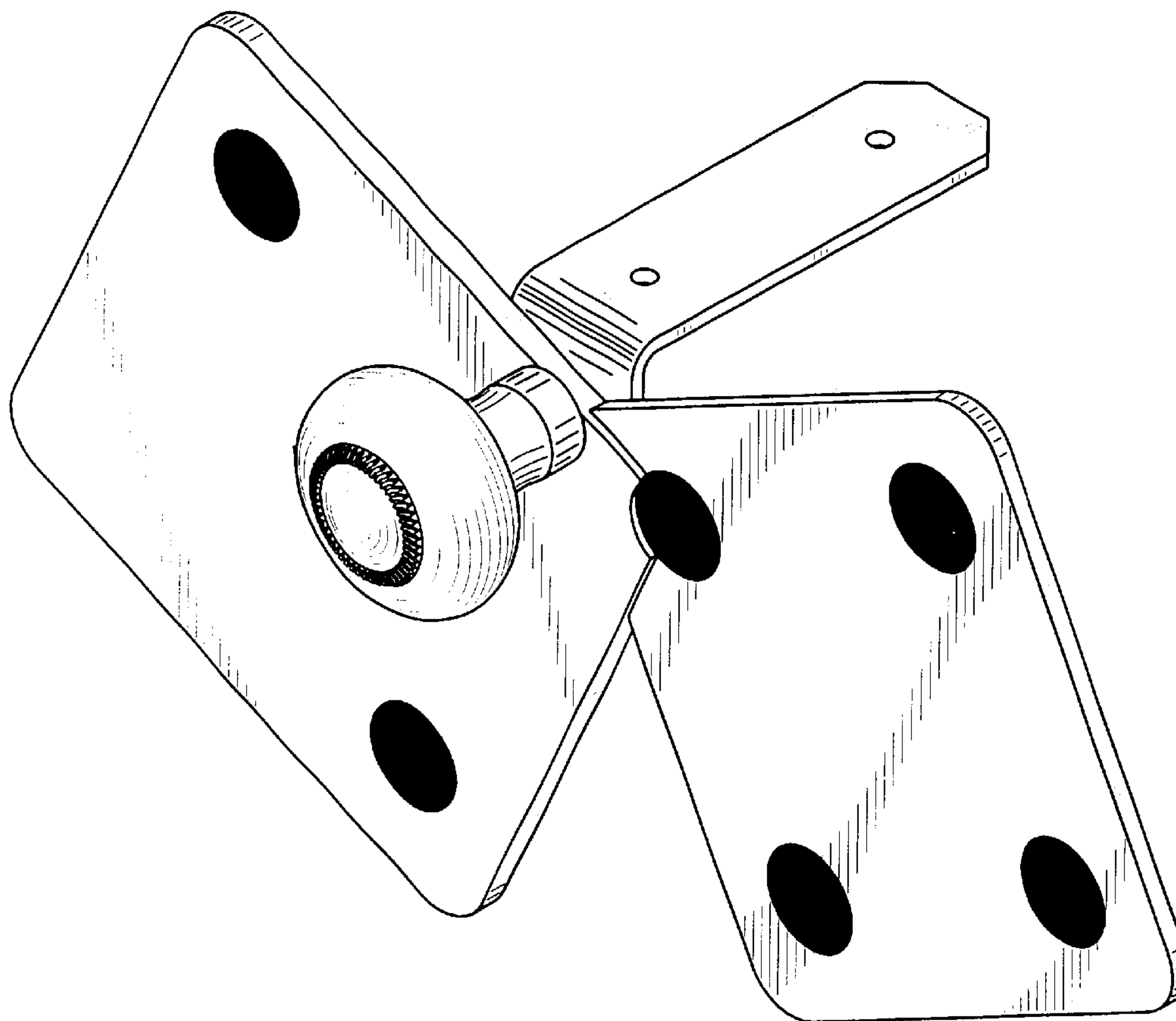
(57) **CLAIM**

The ornamental design for the dice toilet seat handle, as shown and described.

DESCRIPTION

FIG. 1 is a perspective view of a dice toilet seat handle showing my new design, the solid black in the drawing represents color contrast;
FIG. 2 is a front view thereof;
FIG. 3 is a back view thereof;
FIG. 4 is a top view thereof;
FIG. 5 is a bottom view thereof;
FIG. 6 is a right side view thereof; and,
FIG. 7 is a left side view thereof.

1 Claim, 7 Drawing Sheets



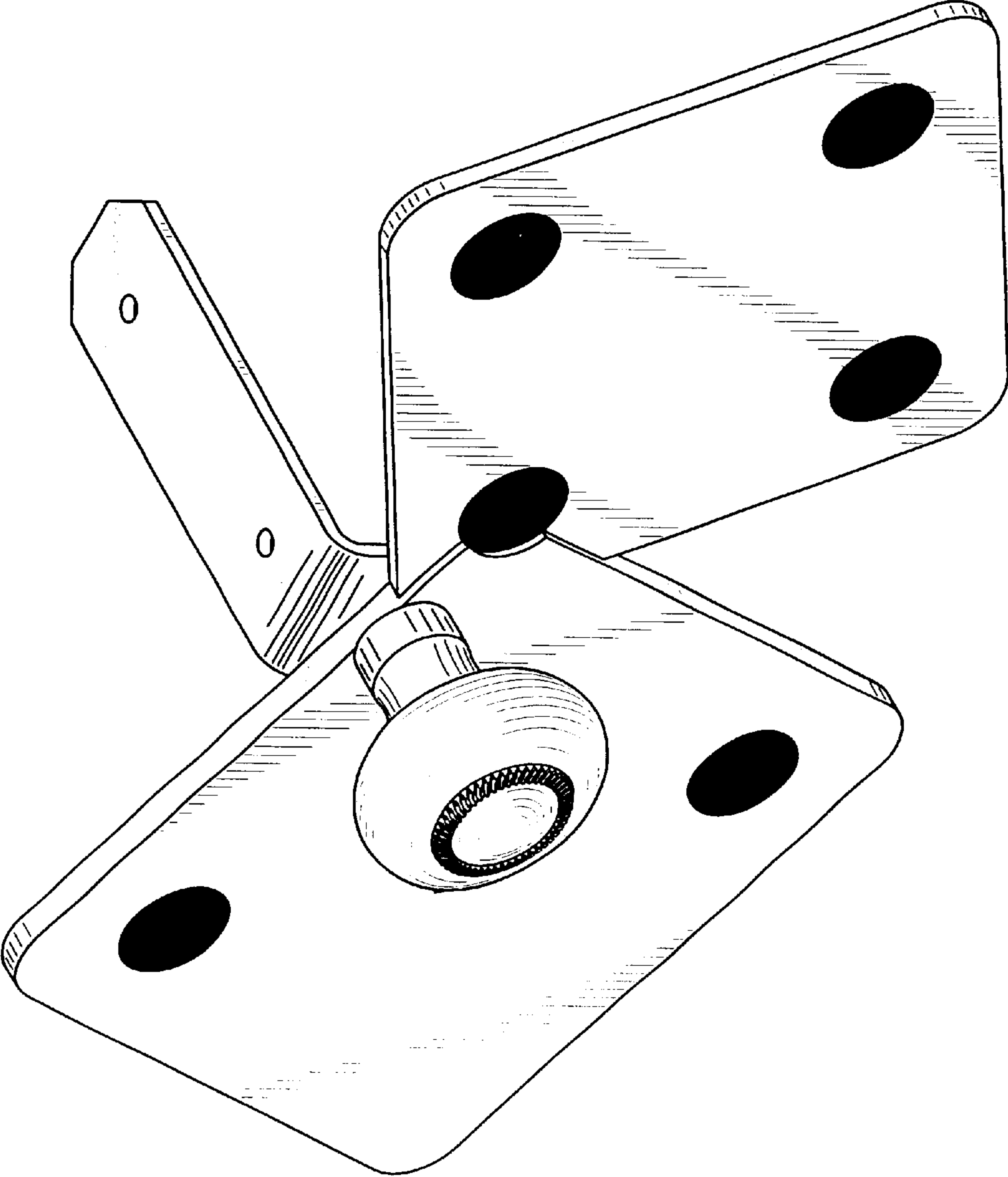


FIG. 1

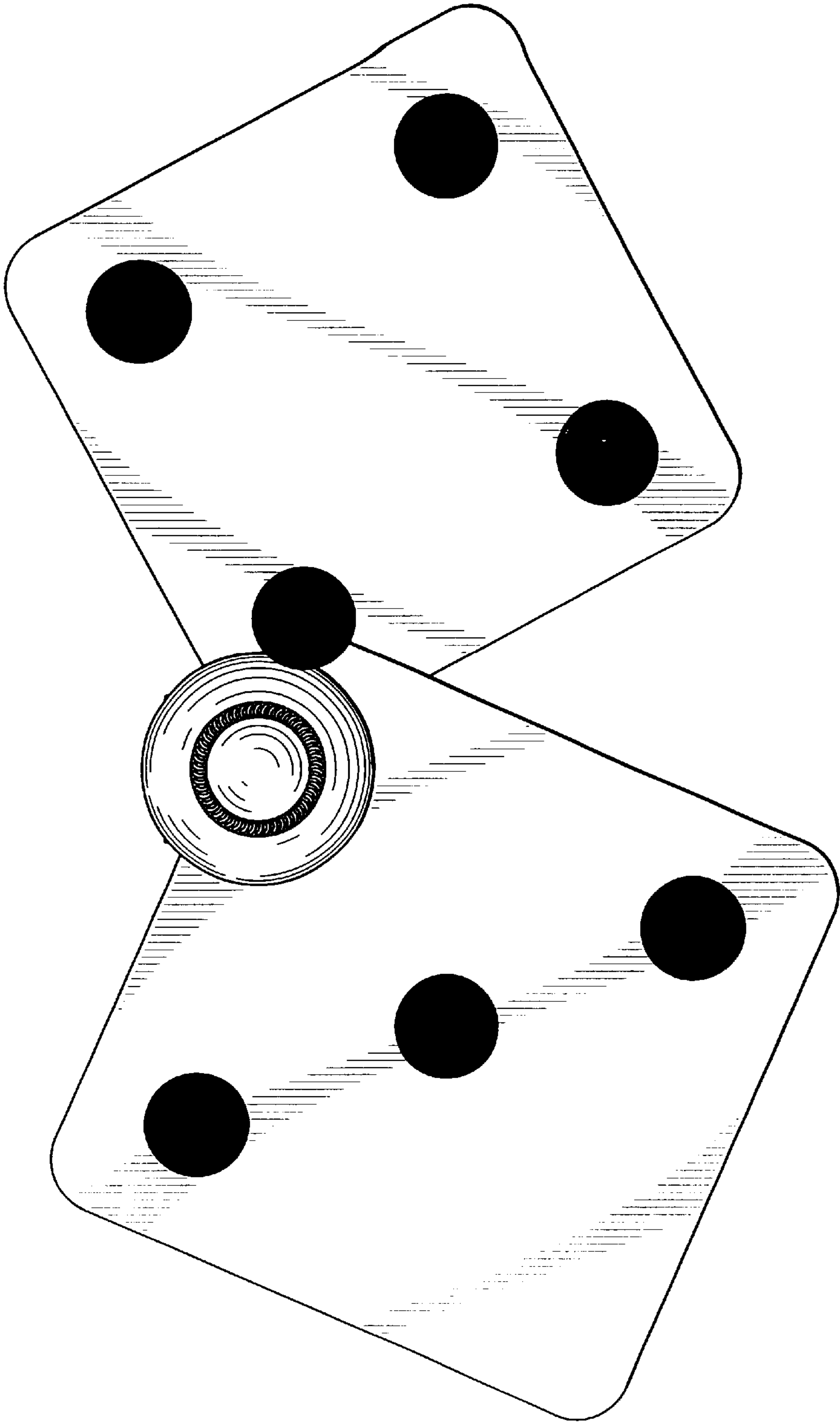


FIG. 2

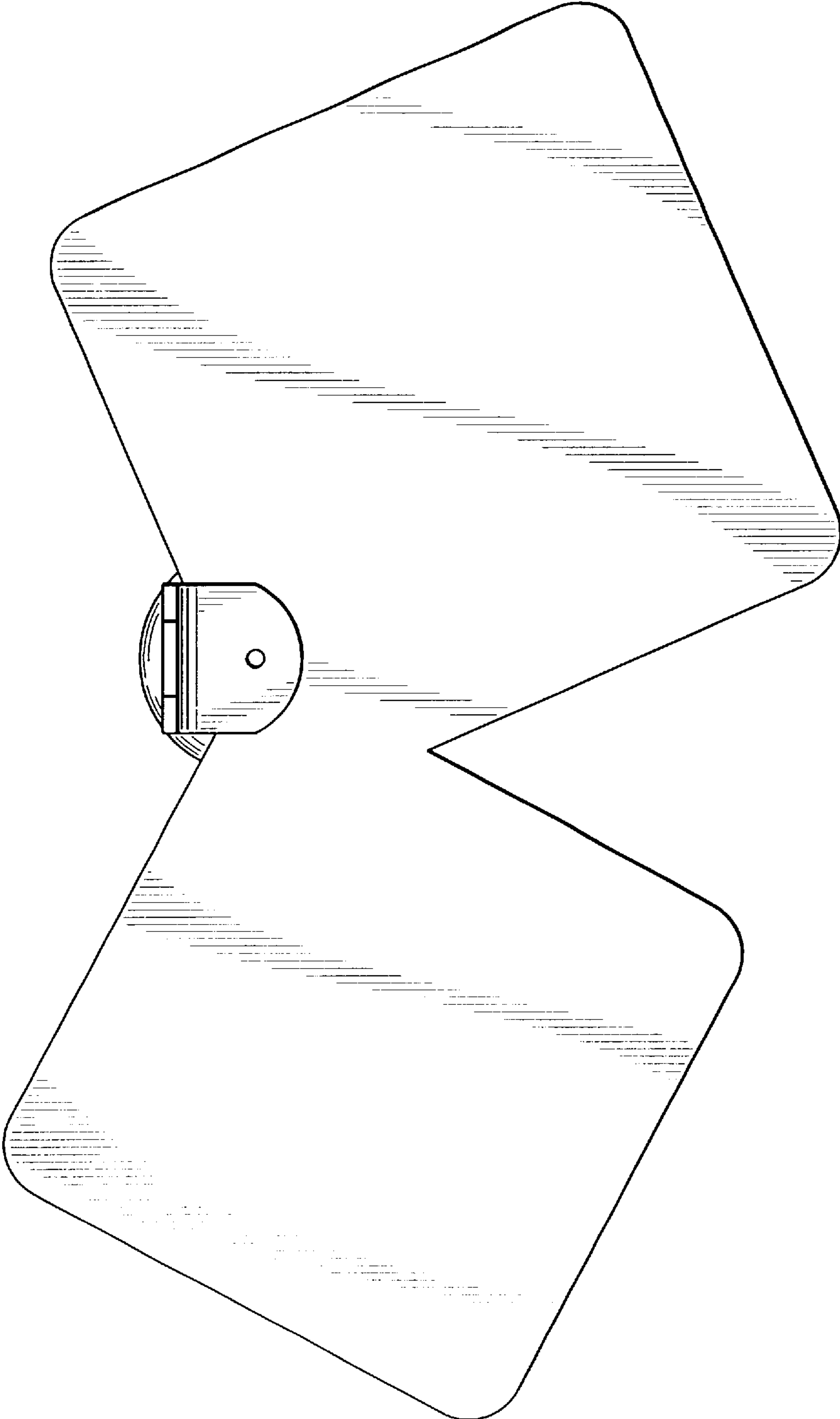


FIG. 3

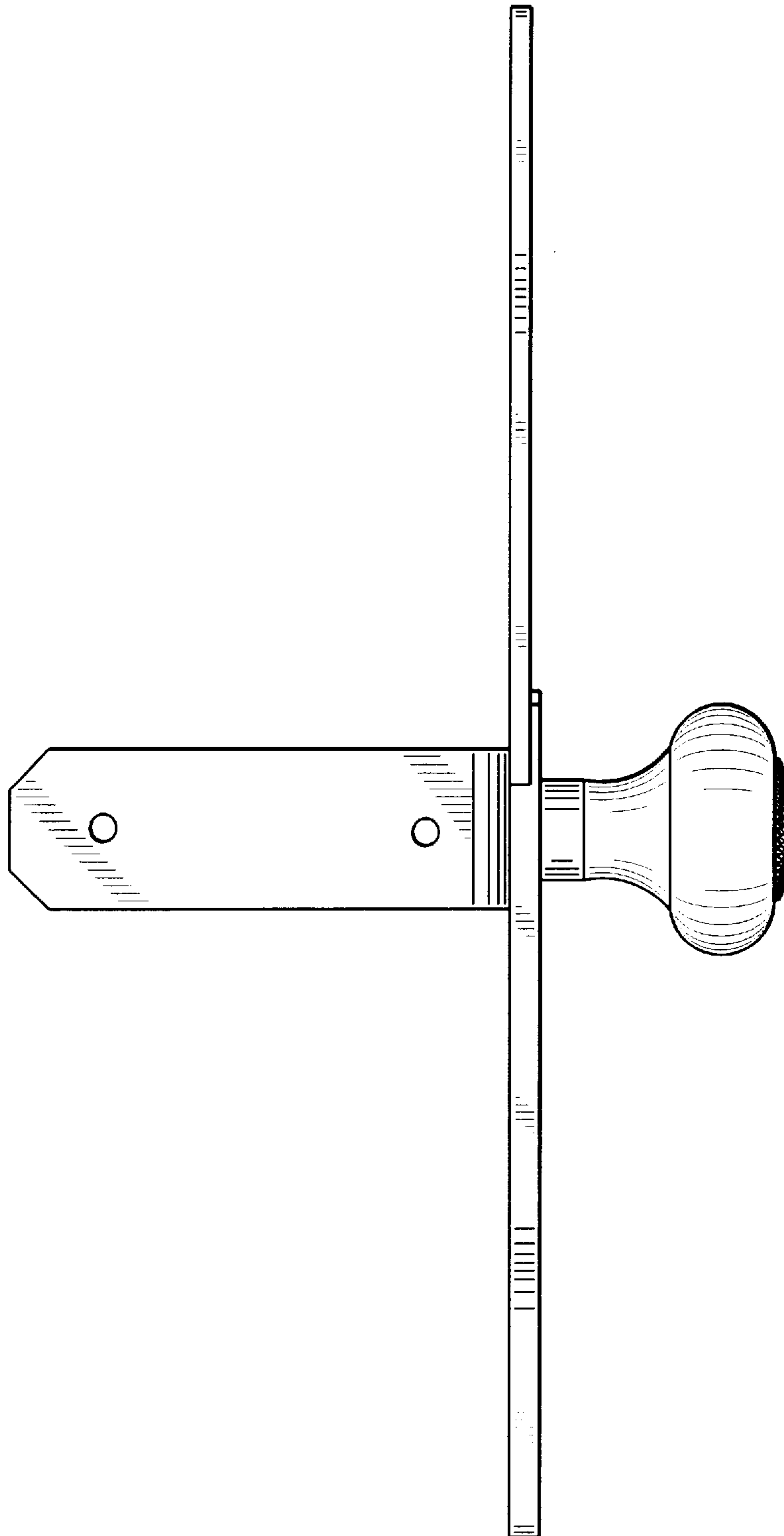


FIG. 4

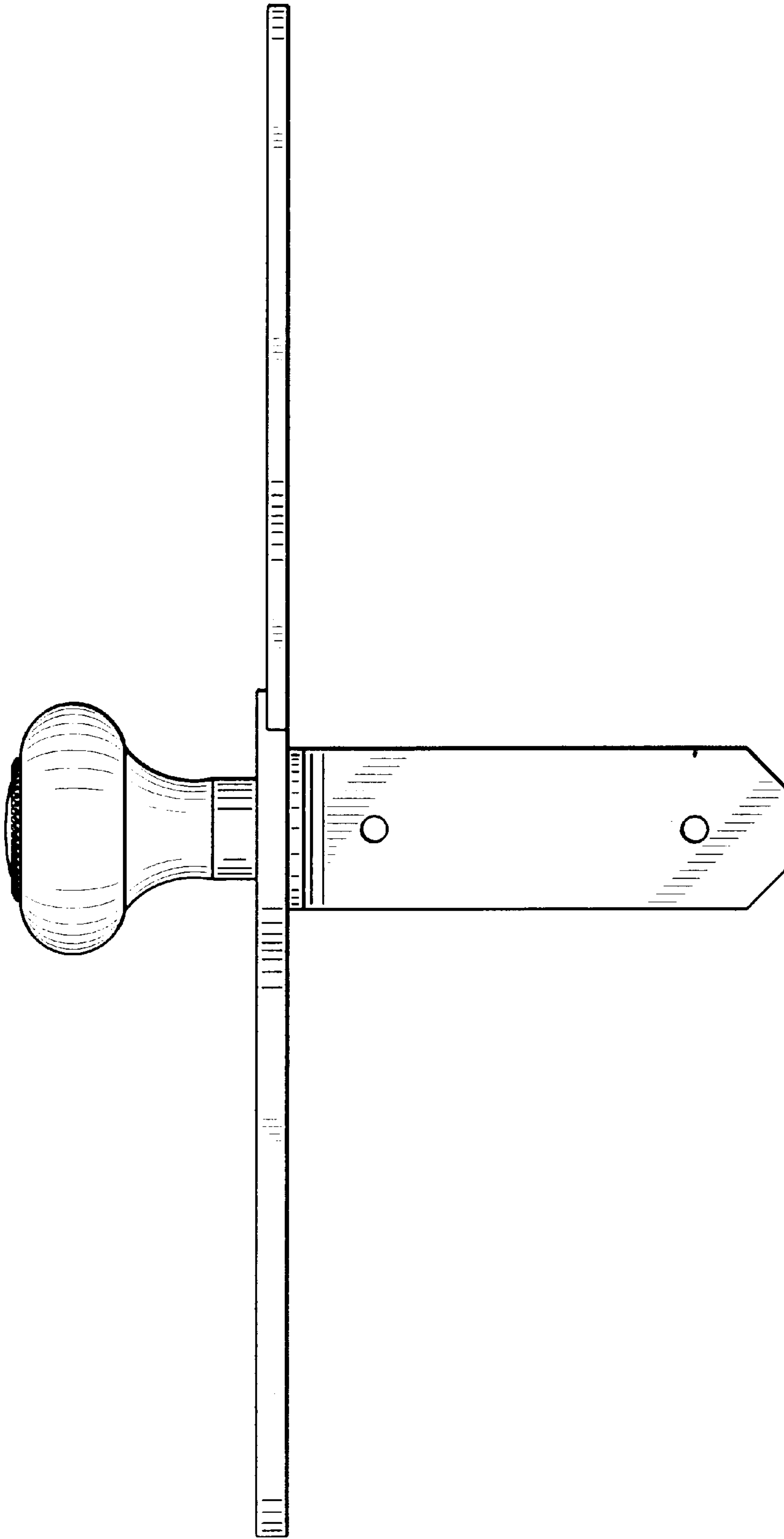


FIG. 5

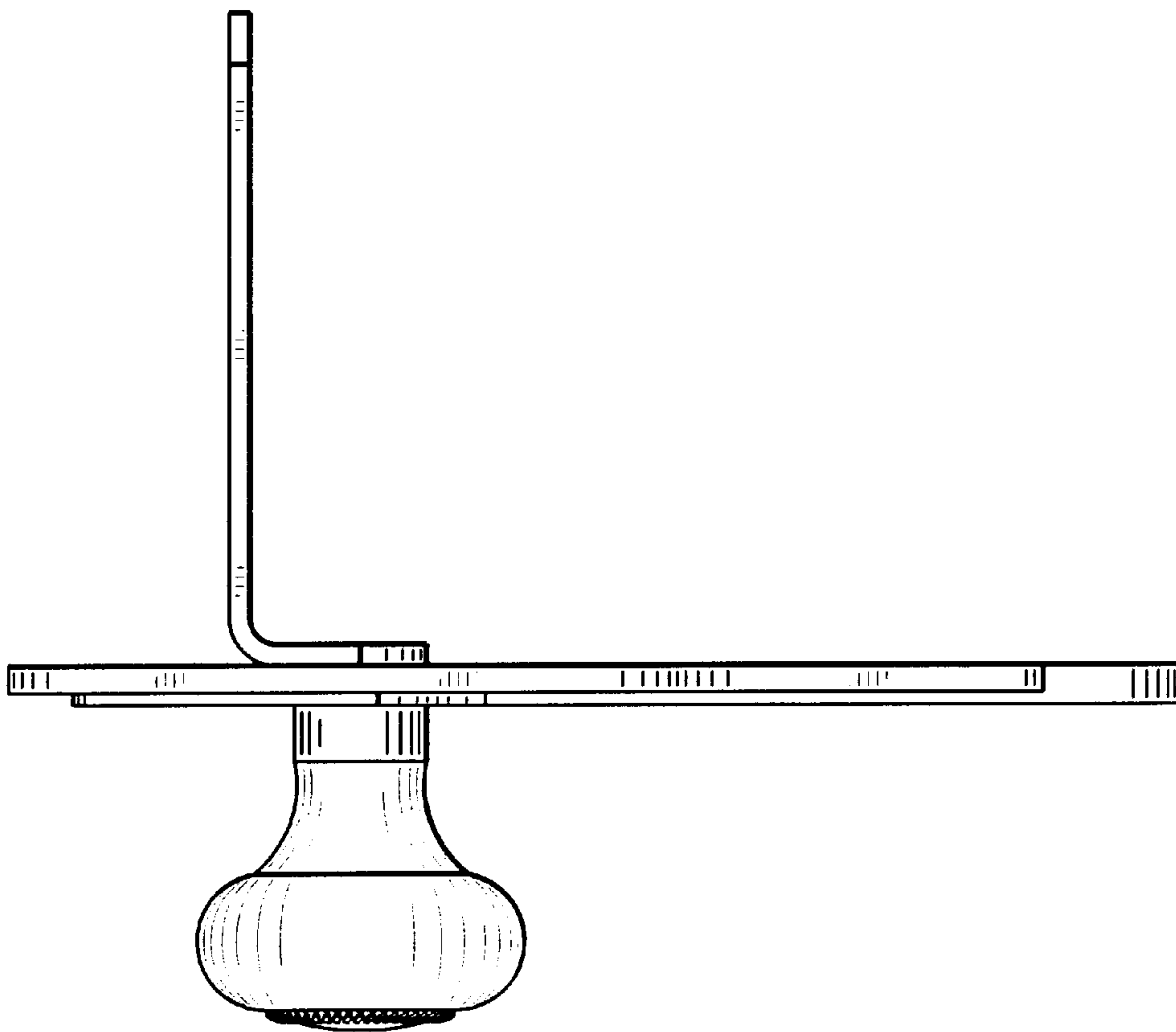


FIG. 6

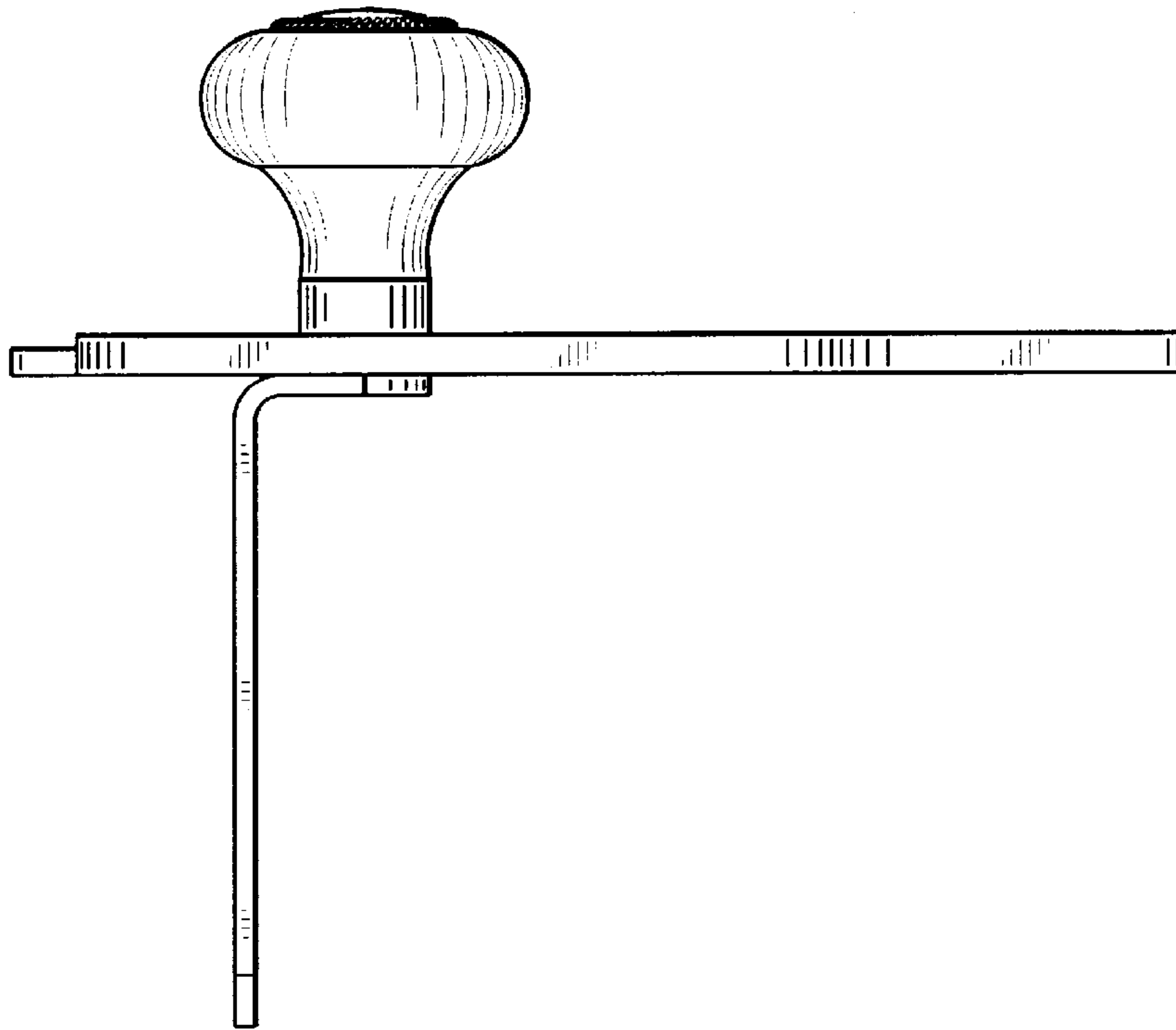


FIG. 7