

US00D527608S

(12) **United States Design Patent** (10) **Patent No.:** **US D527,608 S**
Antkowiak et al. (45) **Date of Patent:** **** Sep. 5, 2006**

(54) **LATCH FOR GATES AND DOORS**

(75) Inventors: **Margaret Antkowiak**, Parklea (AU);
Irek Karcz, North Cromer (AU)

(73) Assignee: **D & D Group Pty Ltd** (AU)

(**) Term: **14 Years**

(21) Appl. No.: **29/211,804**

(22) Filed: **Aug. 20, 2004**

(30) **Foreign Application Priority Data**

Dec. 23, 2004 (AU) 650/04

(51) **LOC (8) Cl.** **08-06**

(52) **U.S. Cl.** **D8/302**

(58) **Field of Classification Search** D8/300,
D8/301, 302, 307, 308; 70/92, 107, 224;
292/169, 357, 336.3, 228

See application file for complete search history.

(56) **References Cited**

U.S. PATENT DOCUMENTS

- 3,107,113 A * 10/1963 Sconzo 292/228
- 3,111,021 A * 11/1963 Patriquin et al. D8/302
- 3,881,331 A * 5/1975 Tranberg et al. 70/107
- 4,838,053 A * 6/1989 Shen 70/92

- 4,921,289 A * 5/1990 Shen 292/336.3
- 5,149,155 A * 9/1992 Caeti et al. 292/336.3
- 5,177,987 A * 1/1993 Shen 70/224
- 5,265,924 A * 11/1993 Kim 292/336.3
- 6,264,255 B1 * 7/2001 Fortune 292/336.3
- 6,364,383 B1 * 4/2002 Shen 292/357
- 6,733,050 B1 * 5/2004 Yao 292/169
- 6,869,115 B1 * 3/2005 Shen 292/357

* cited by examiner

Primary Examiner—Paula A. Greene

(74) *Attorney, Agent, or Firm*—Fulwider Patton LLP

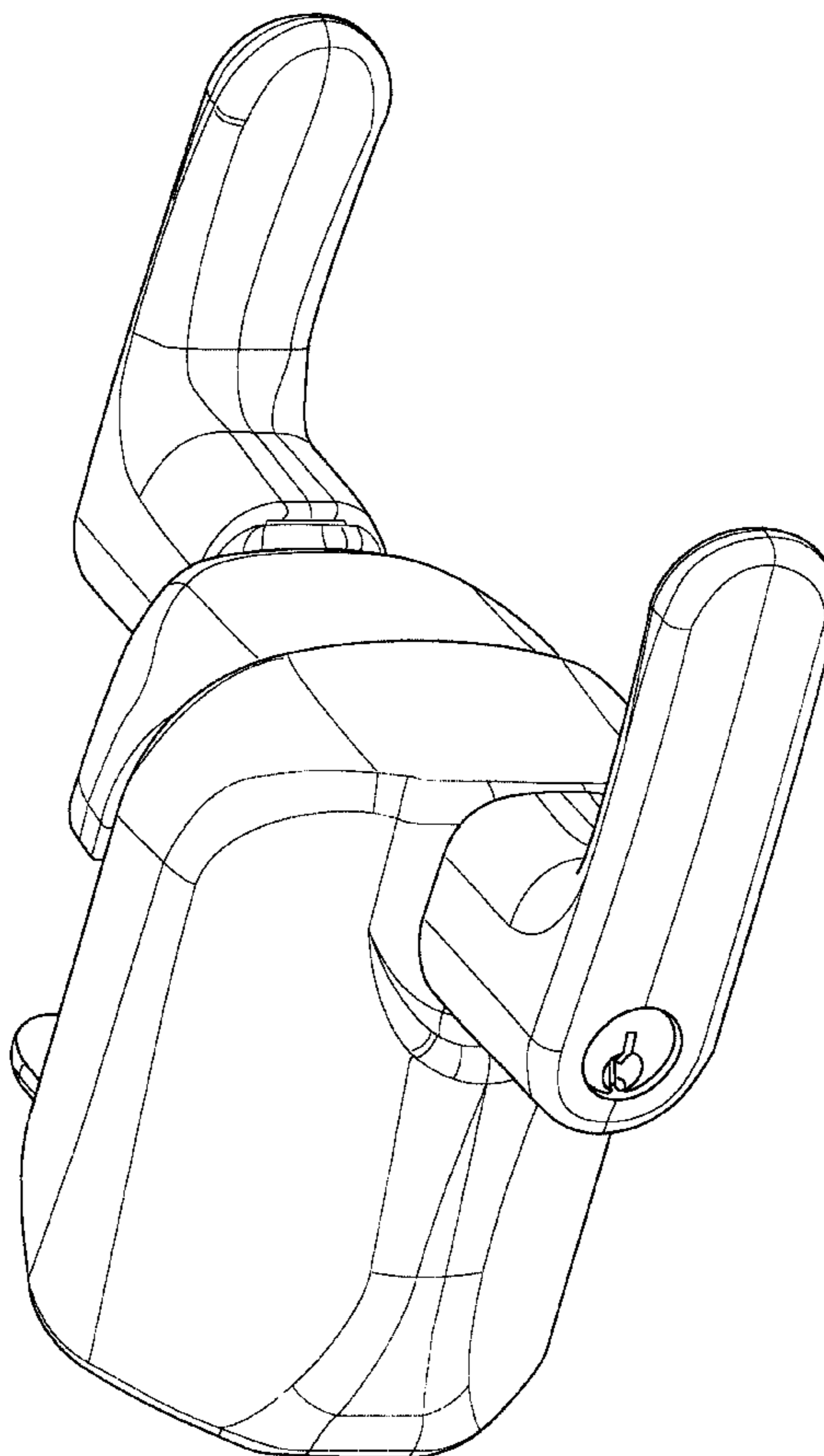
(57) **CLAIM**

The ornamental design for a latch for gates and doors, as shown.

DESCRIPTION

FIG. 1 is a front perspective view of a latch for gates and doors showing my new design;
 FIG. 2 is a rear perspective view thereof;
 FIG. 3 is an end elevational view thereof;
 FIG. 4 is an opposite end elevational view thereof;
 FIG. 5 is a front elevational view thereof;
 FIG. 6 is a rear elevational view thereof;
 FIG. 7 is a side elevational view thereof; and,
 FIG. 8 is an opposite side elevational view thereof.

1 Claim, 8 Drawing Sheets



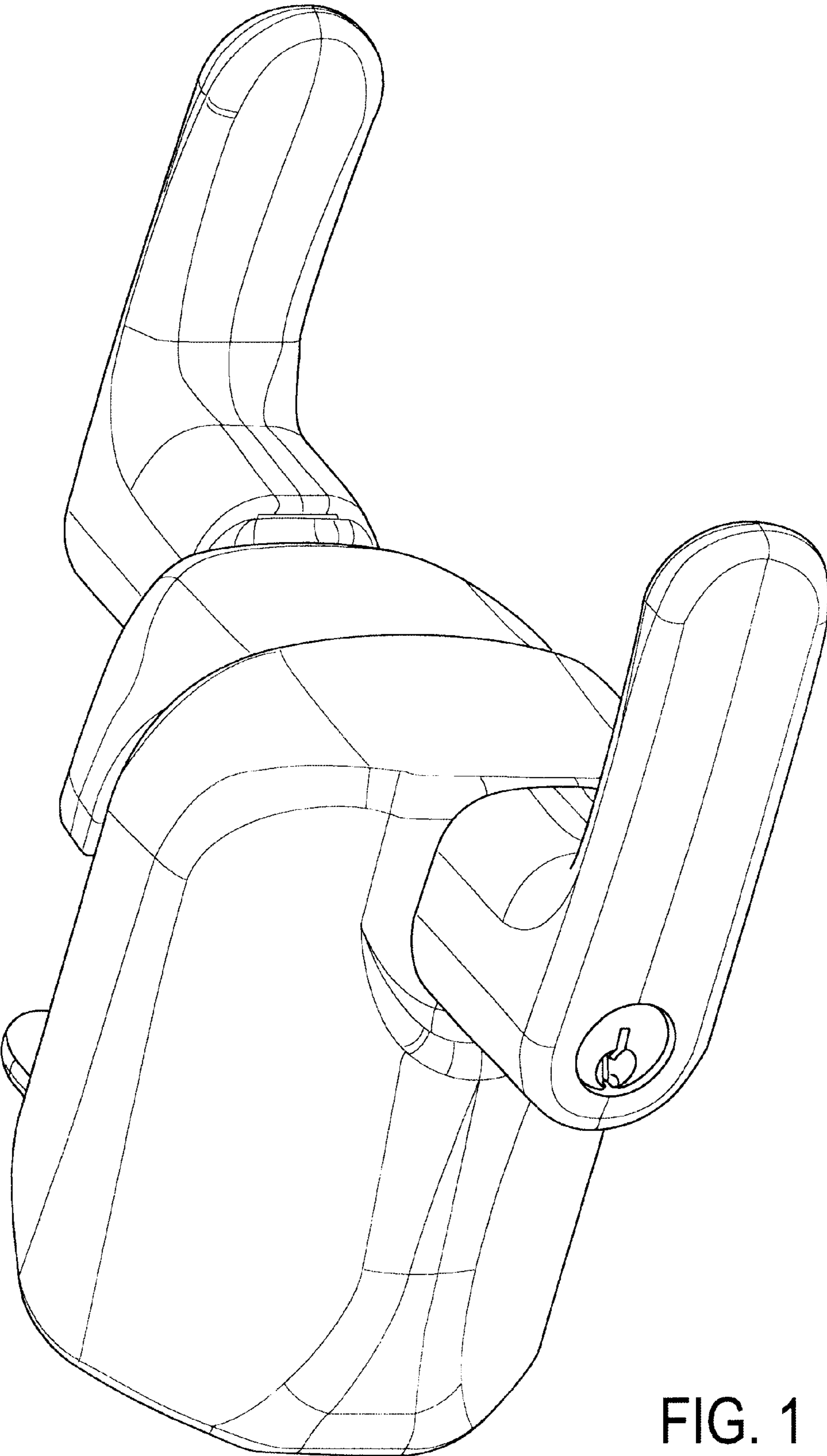


FIG. 1

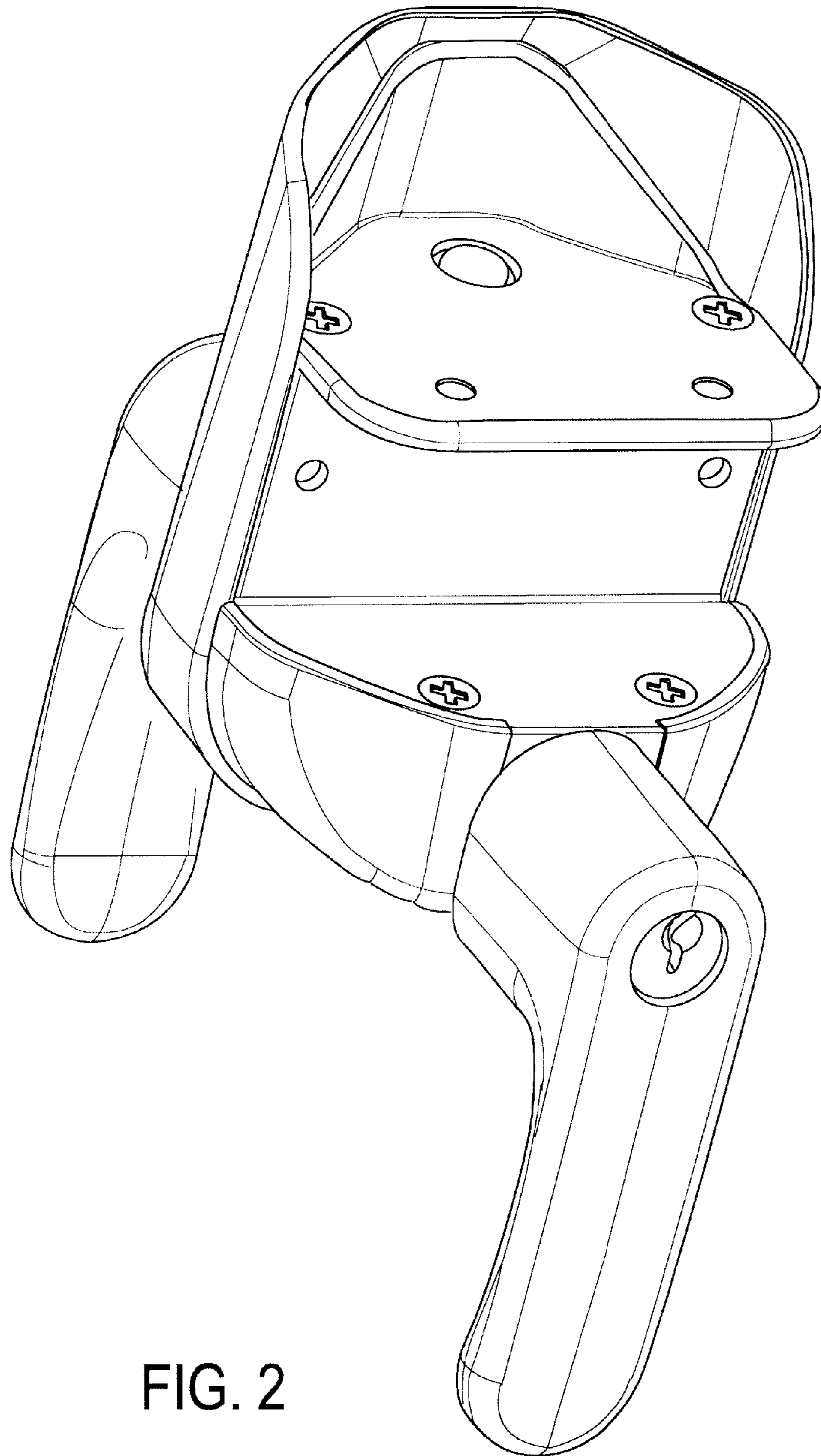


FIG. 2

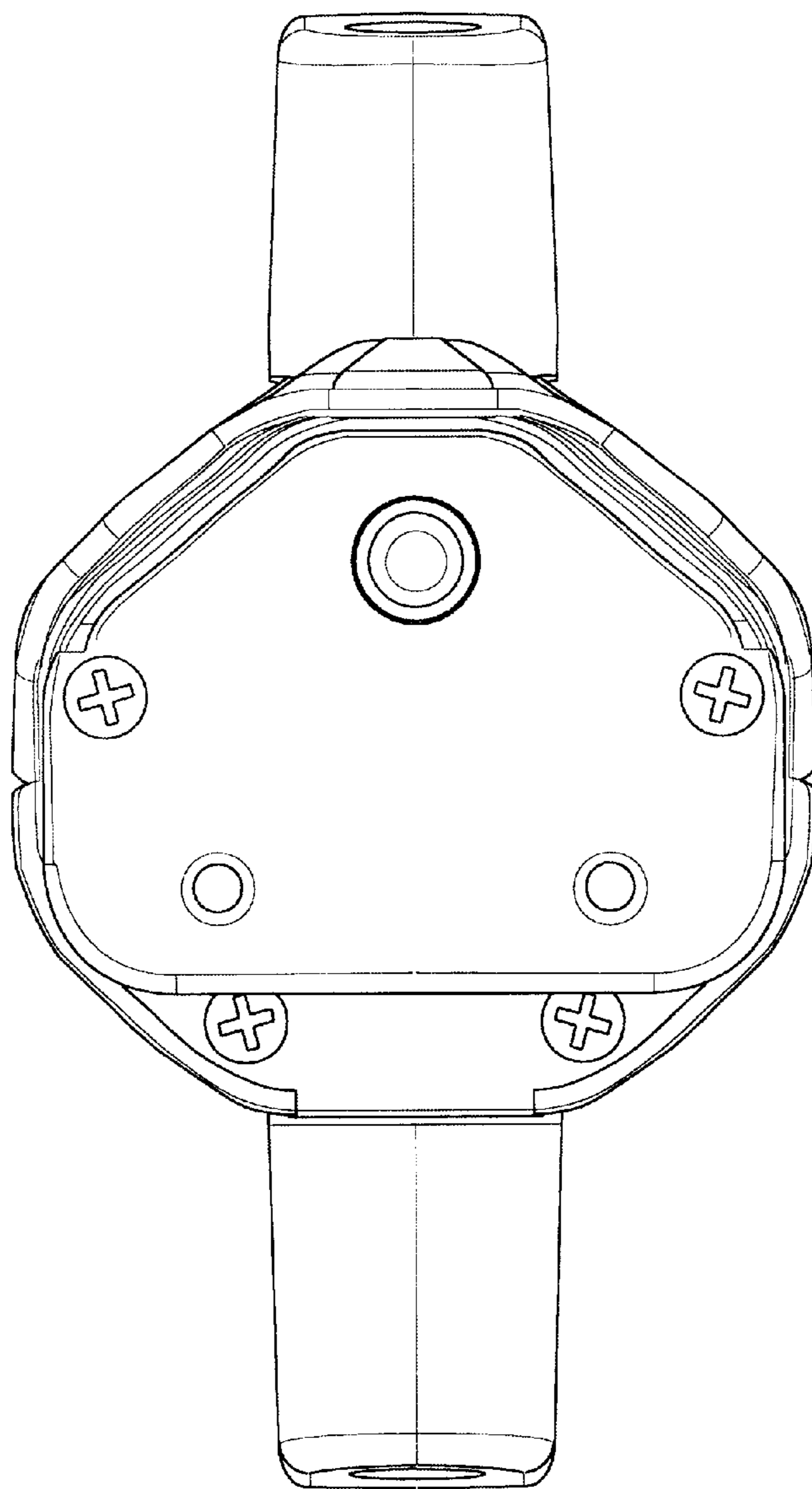


FIG. 3

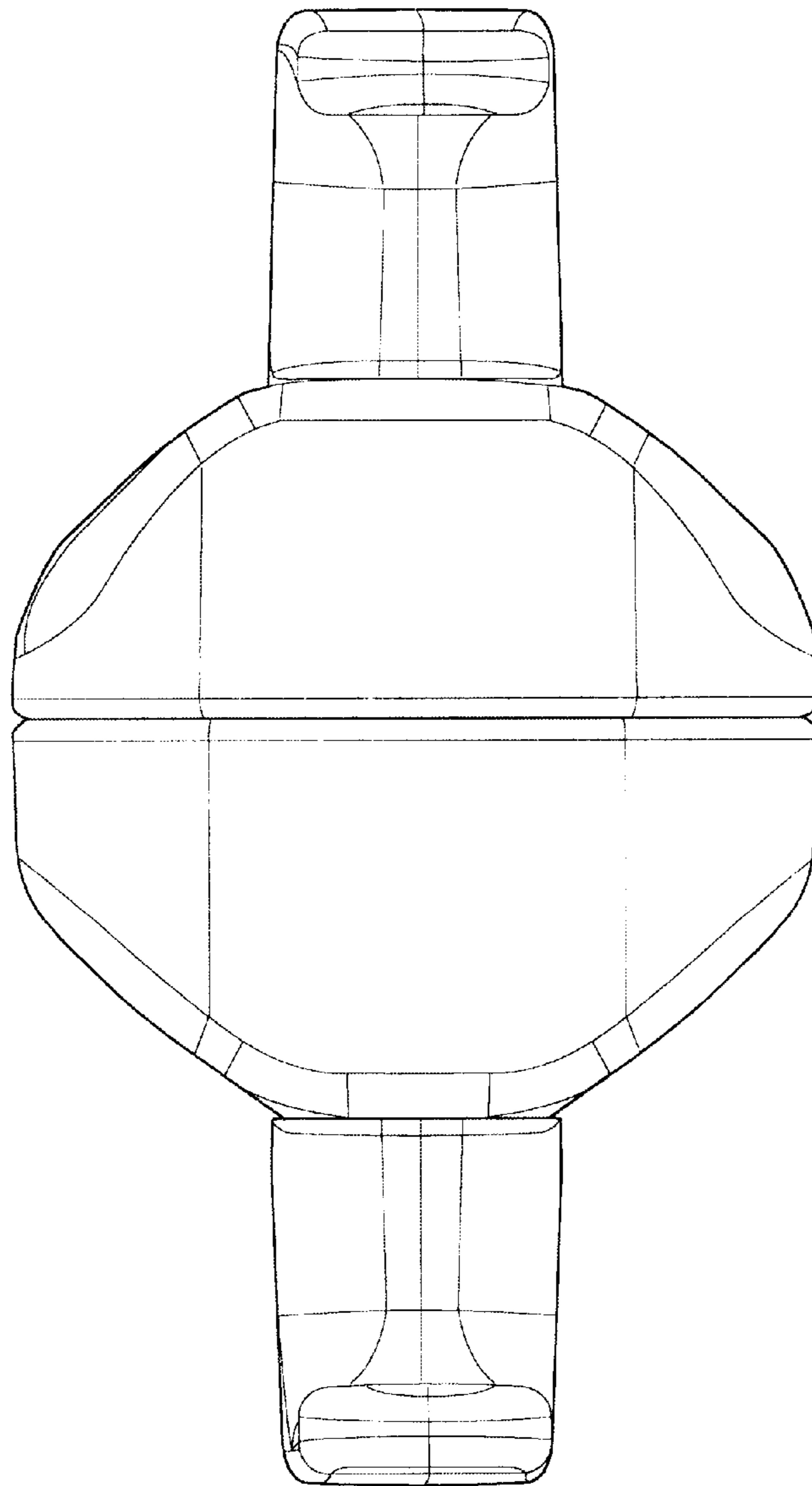


FIG. 4

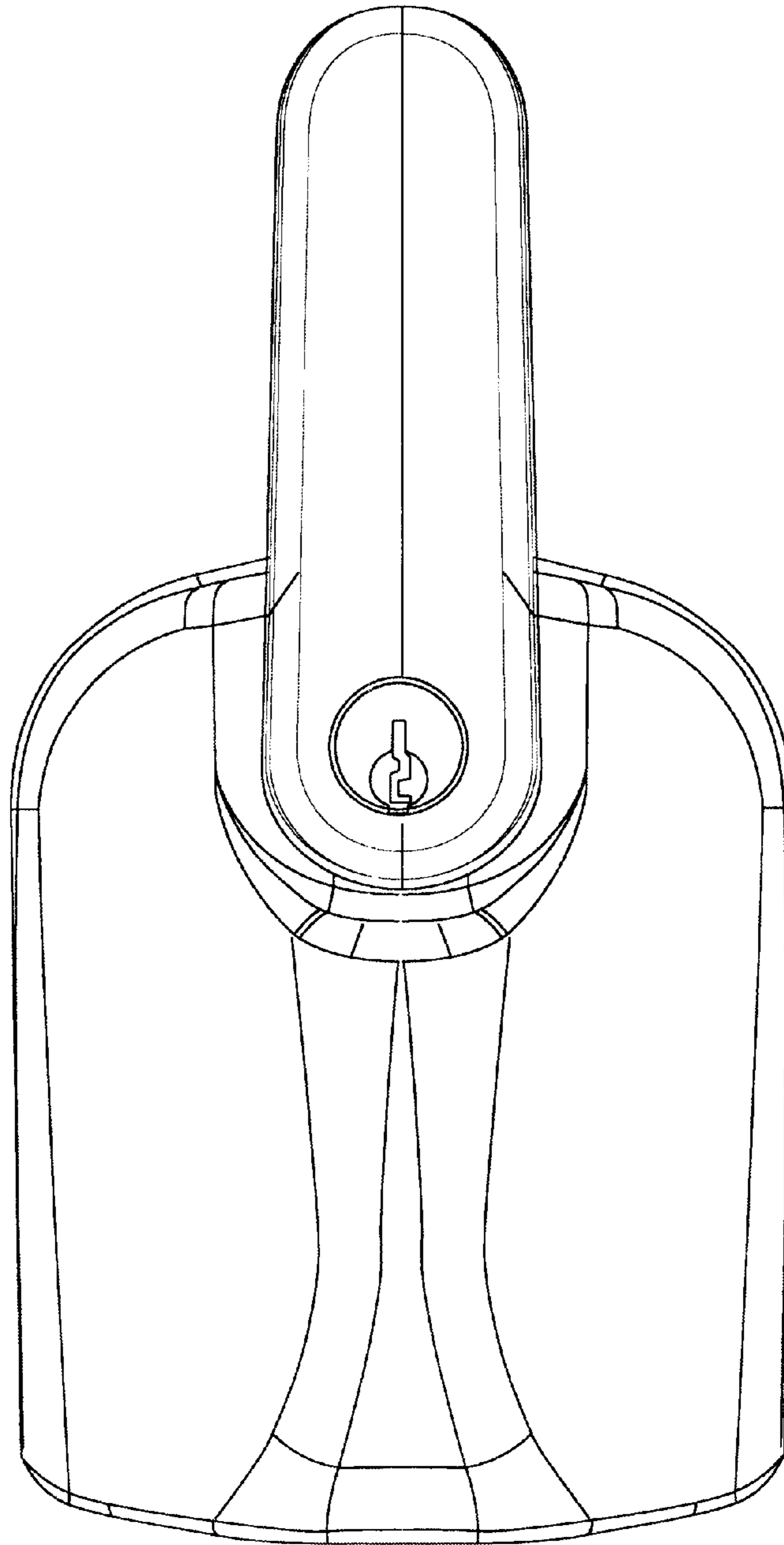


FIG. 5

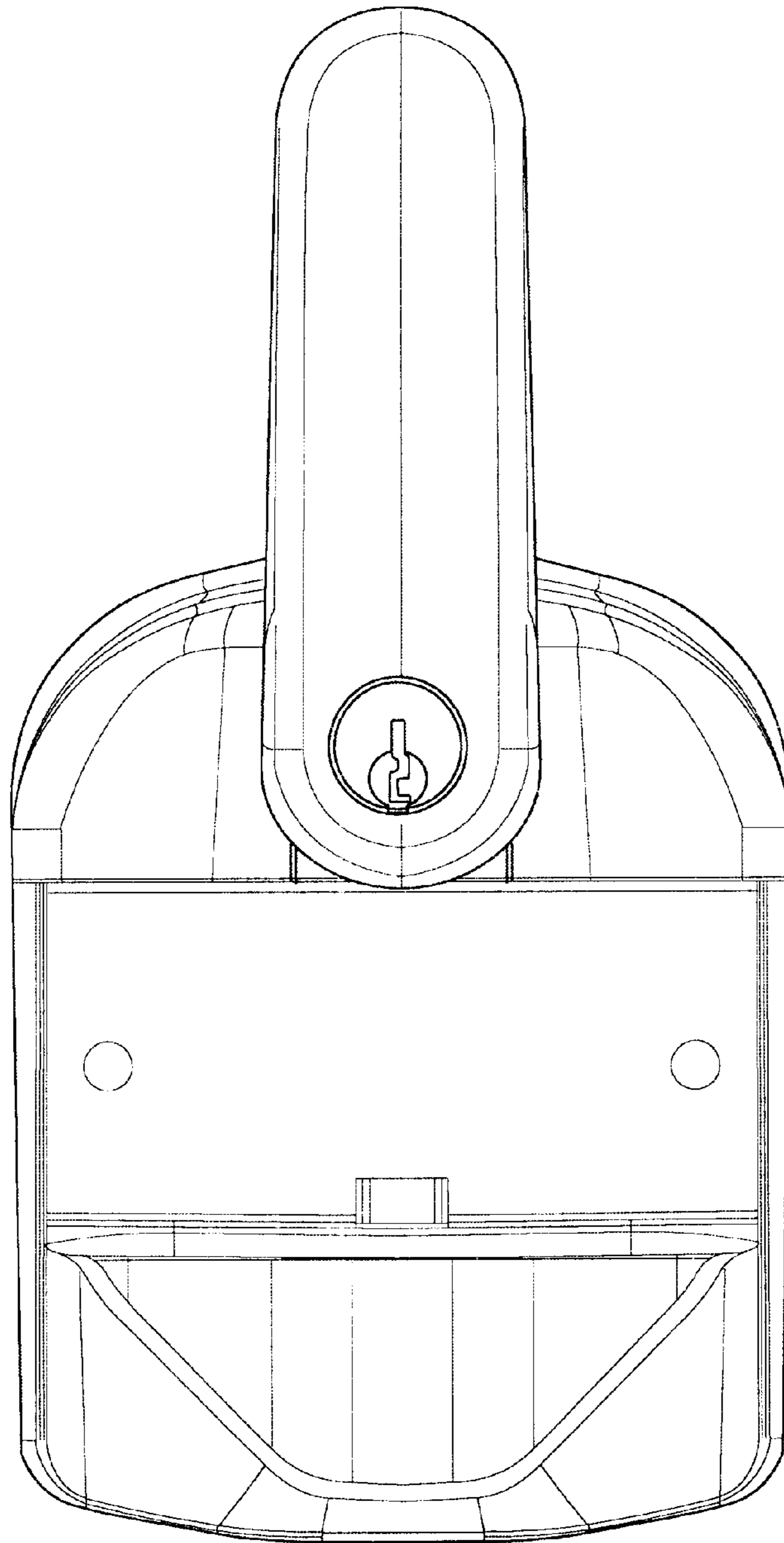


FIG. 6

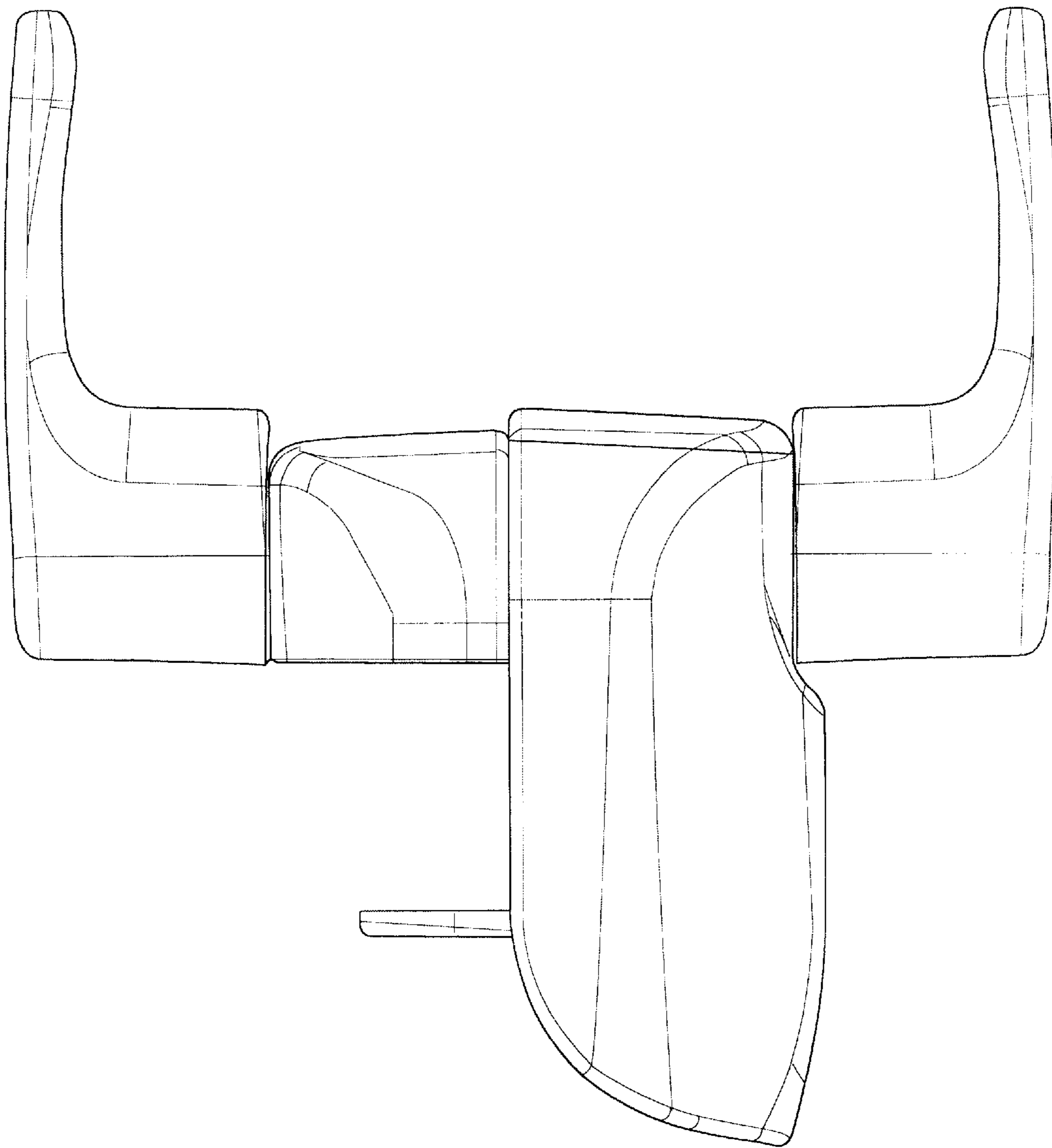


FIG. 7

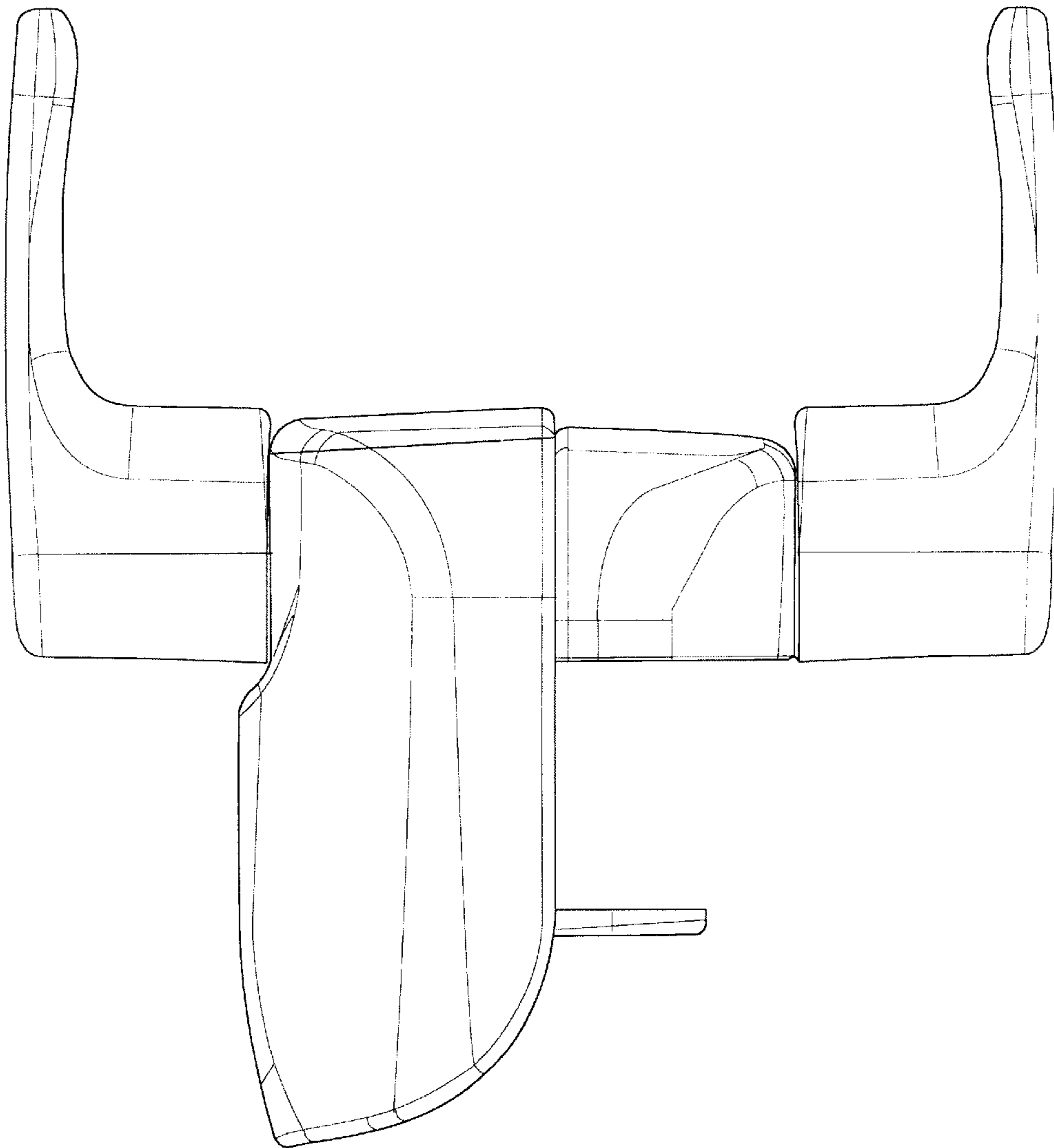


FIG. 8