



US00D527605S

(12) **United States Design Patent**
Jackson

(10) **Patent No.:** **US D527,605 S**

(45) **Date of Patent:** **** Sep. 5, 2006**

(54) **T-SHAPED RATCHET HANDLE**
(75) Inventor: **Stephen D. Jackson**, Stockton, CA
(US)
(73) Assignee: **USA Products Group, Inc.**, Lodi, CA
(US)
(**) Term: **14 Years**

D475,601 S * 6/2003 Huang D8/107
6,581,246 B1 * 6/2003 Polette 16/429
D480,937 S * 10/2003 Vogele et al. D8/69
D484,023 S * 12/2003 Stout D8/107
D488,046 S * 4/2004 Marquardt et al. D8/107
D494,831 S * 8/2004 Buchter D8/107
2002/0125022 A1 9/2002 Dieterle et al.

* cited by examiner

Primary Examiner—Pamela Burgess

(74) *Attorney, Agent, or Firm*—MacPherson Kwok Chen & Heid LLP

(21) Appl. No.: **29/215,481**
(22) Filed: **Oct. 19, 2004**

(51) **LOC (8) Cl.** **08-05**
(52) **U.S. Cl.** **D8/107**
(58) **Field of Classification Search** D8/107,
D8/61, 64, 67–69, 10.11, 95, 97, 300, 310;
16/444, 426, 431, 110.1, 112.1, 114.1, 406,
16/422; 81/489, 63, 490, 177.1, 177.4, 177.2,
81/465–466, 436–440; 173/213, 217
See application file for complete search history.

(57) **CLAIM**

The ornamental design for a T-shaped ratchet handle, as shown and described.

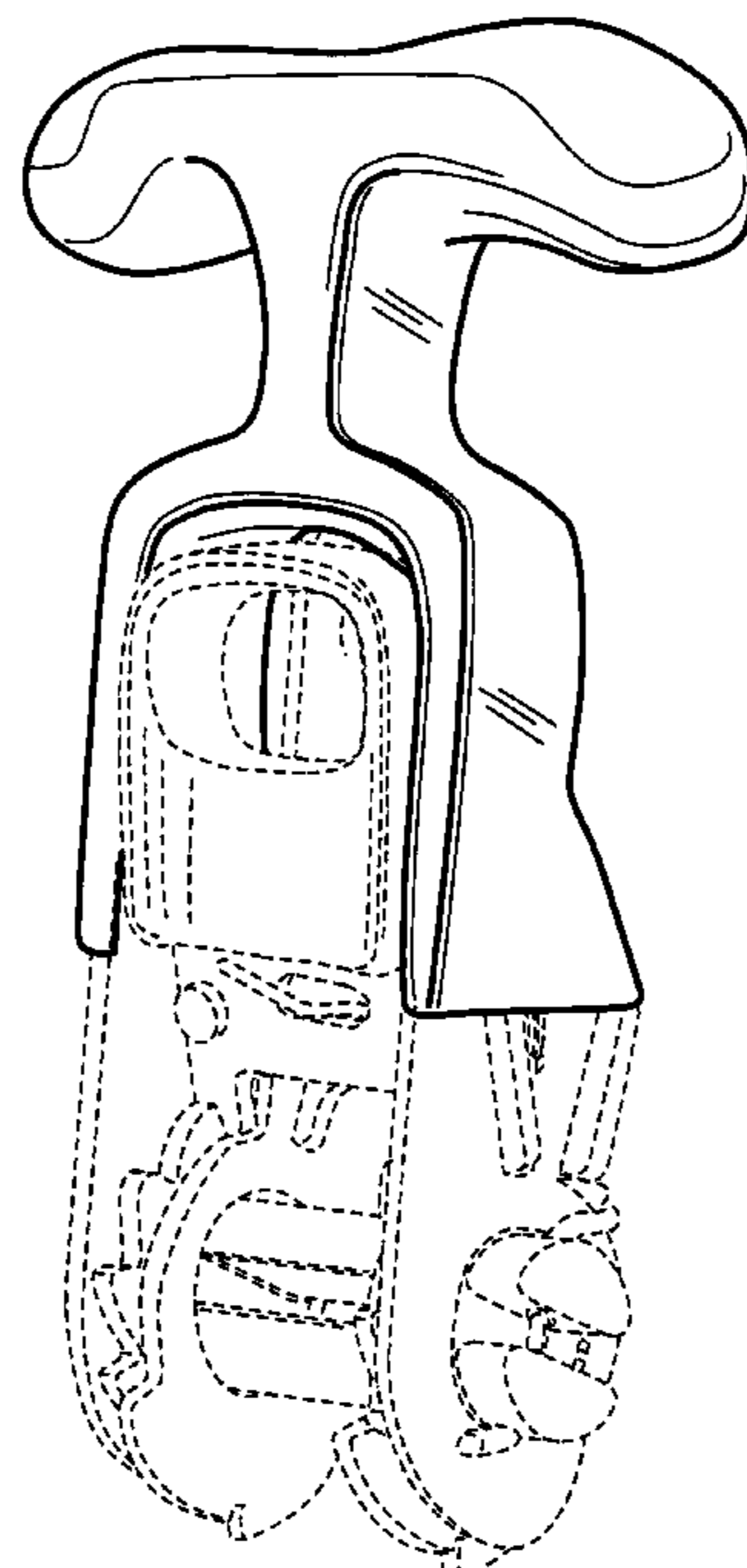
DESCRIPTION

FIG. 1 is a perspective view of a T-shaped ratchet handle showing my new design;
FIG. 2 is a front end view thereof;
FIG. 3 is a rear end view thereof;
FIG. 4 is a side view thereof;
FIG. 5 is an opposite view thereof;
FIG. 6 is a top view thereof;
FIG. 7 is a bottom view thereof;
FIG. 8 is an enlarged front end view of a T-shaped ratchet handle shown without any environmental structure;
FIG. 9 is a rear end view thereof;
FIG. 10 is a side view thereof;
FIG. 11 is a top view thereof; and,
FIG. 12 is a bottom view thereof.
The broken lines illustrated in FIGS. 1–7, 9, and 11 represent environmental structure, which is not considered a part of the claimed design.

(56) **References Cited**
U.S. PATENT DOCUMENTS

384,186	A	6/1888	Barth	
578,030	A	3/1897	Morse	
D35,333	S	11/1901	Keller	
775,863	A	11/1904	Smith	
839,727	A	12/1906	Canahan	
1,411,365	A	4/1922	Mitchell	
1,934,935	A	11/1933	Luxmore	
2,437,099	A	* 3/1948	Krupp	150/107
D287,814	S	1/1987	Hiraishi et al.	
D343,345	S	1/1994	Ogawa et al.	
D431,438	S	10/2000	Flender et al.	
6,151,998	A	* 11/2000	Fu-Hui	81/177.4
6,524,238	B1	* 2/2003	Velikaris et al.	600/213

1 Claim, 4 Drawing Sheets



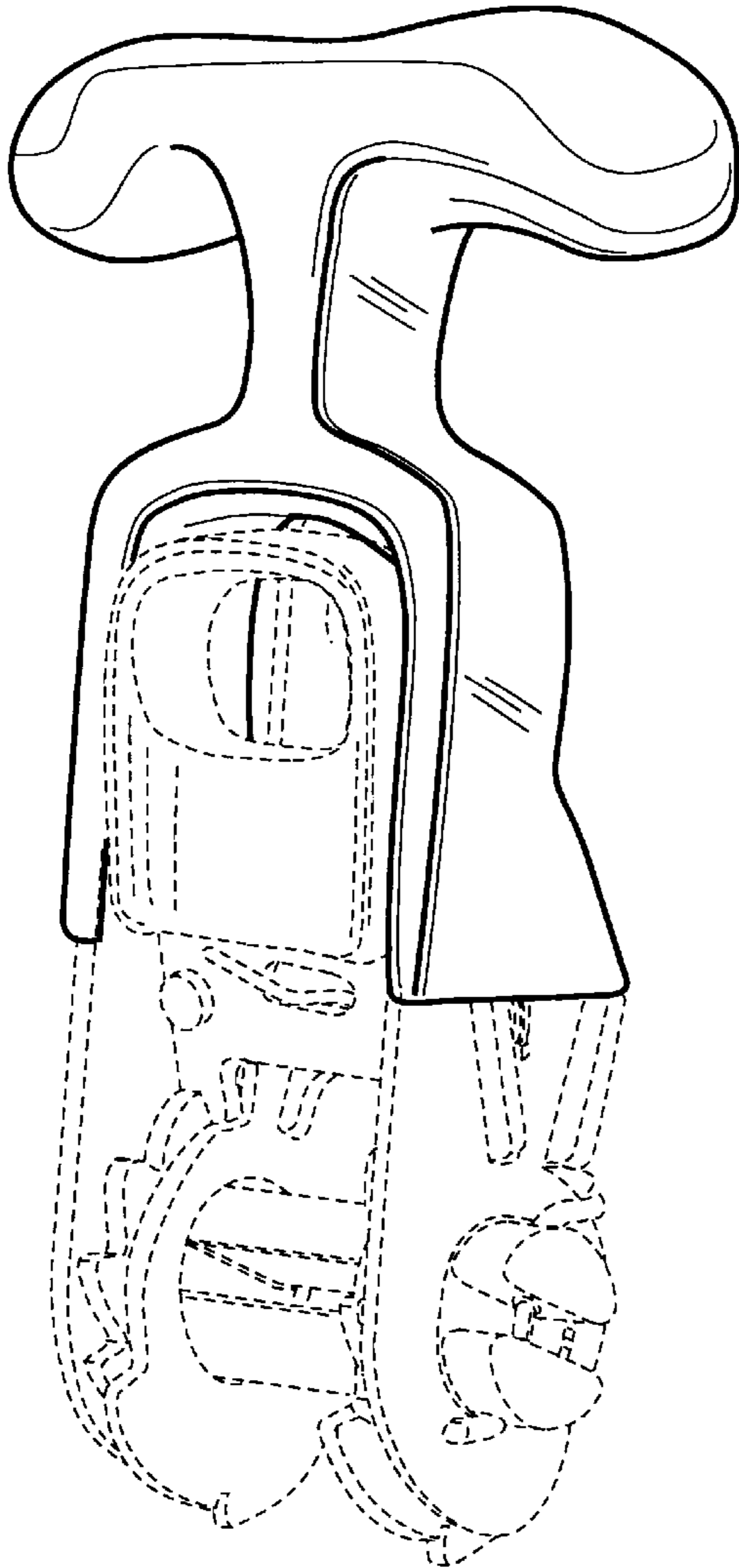


FIG. 1

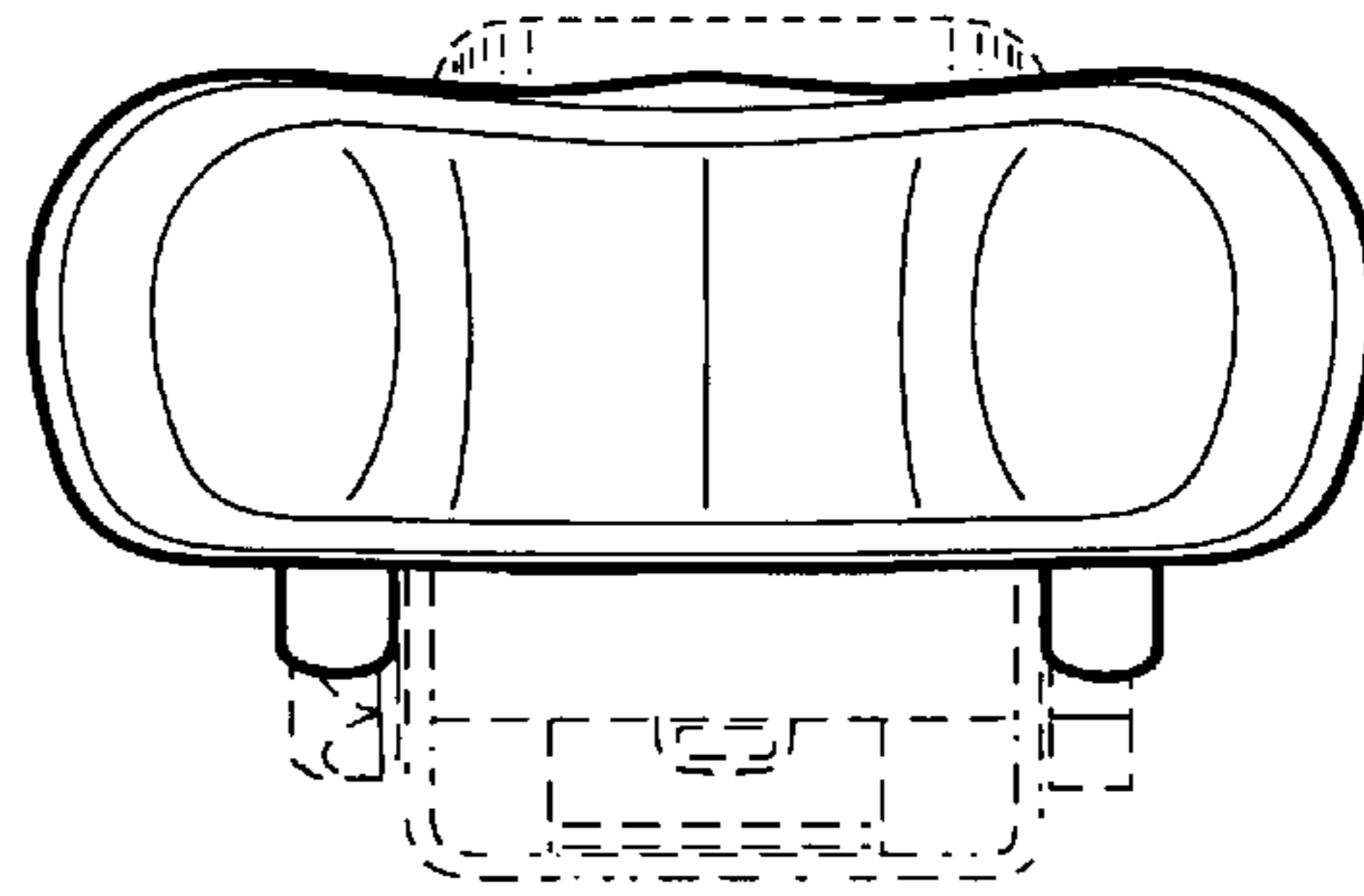


FIG. 2

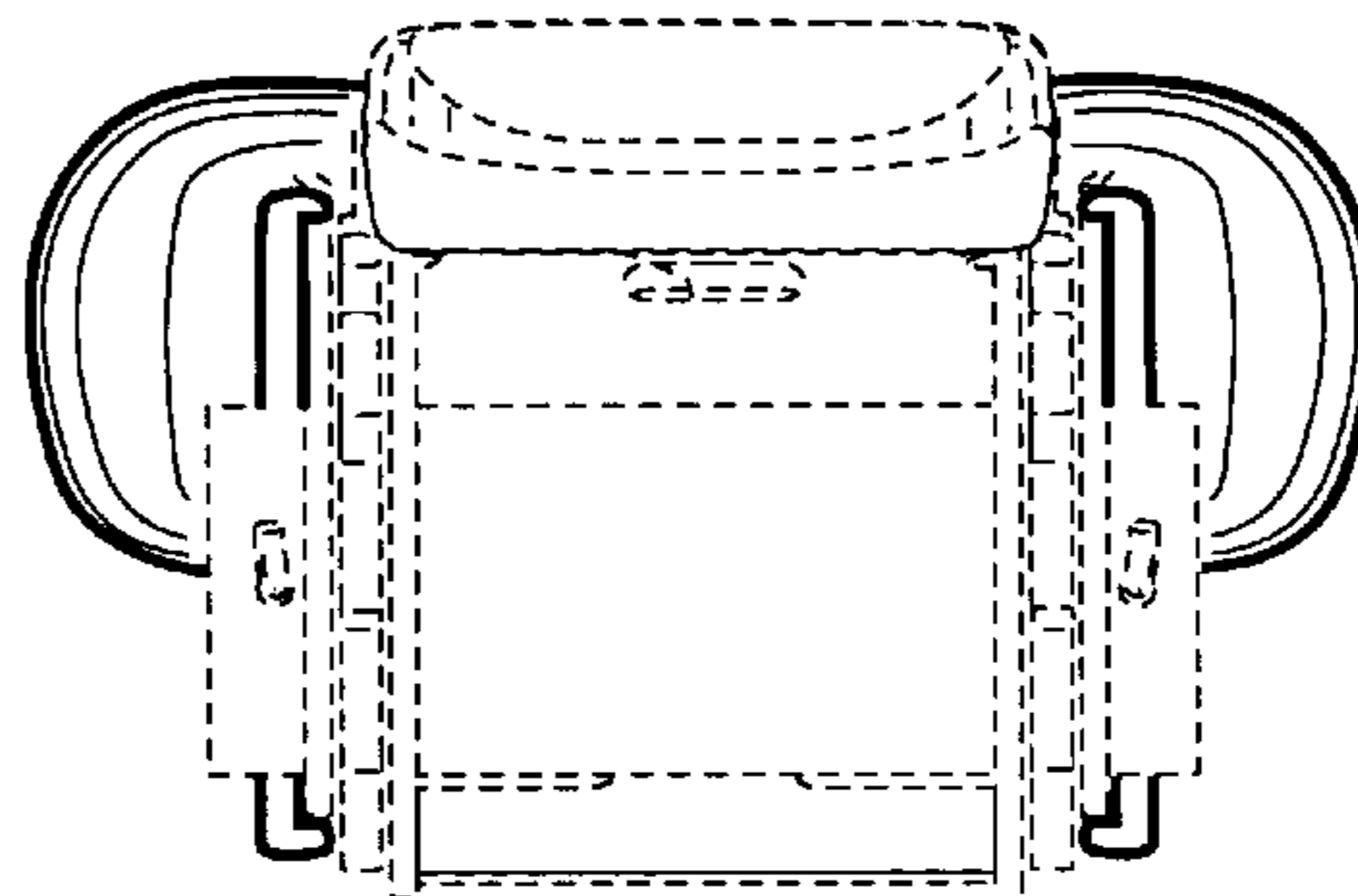


FIG. 3

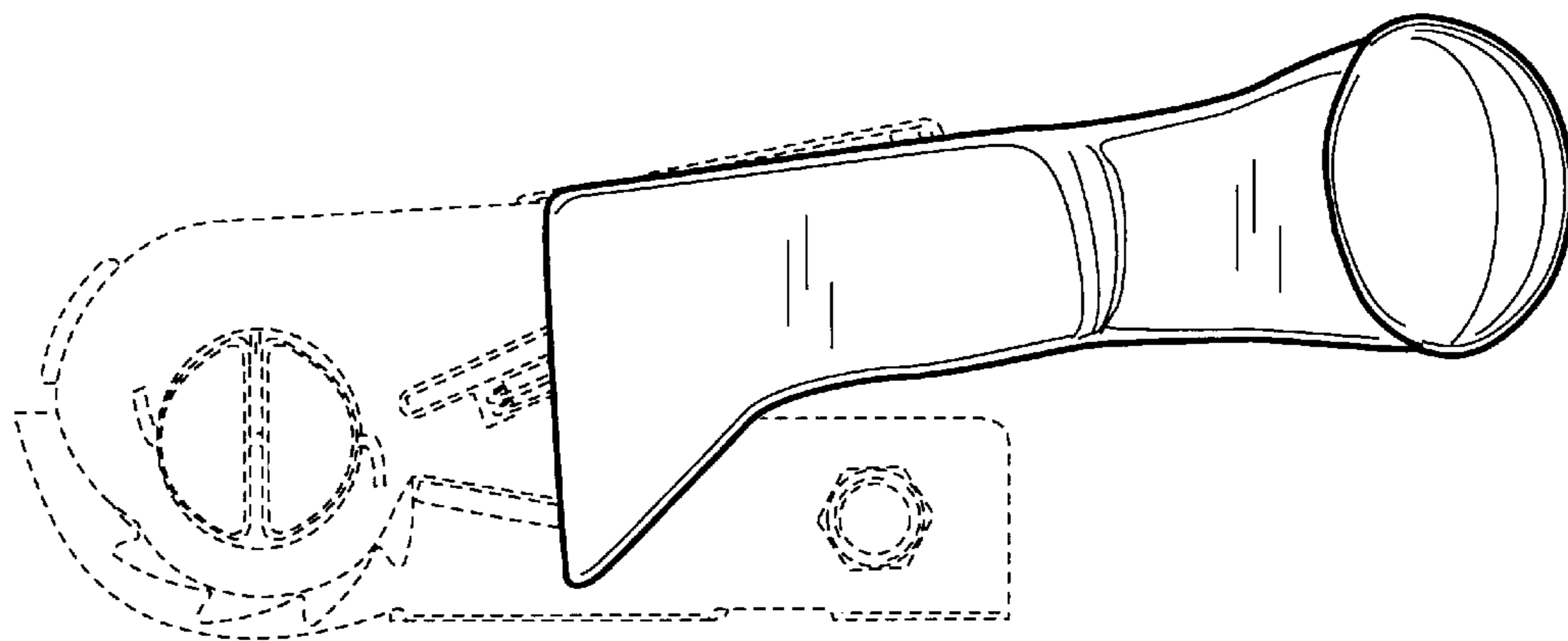


FIG. 4

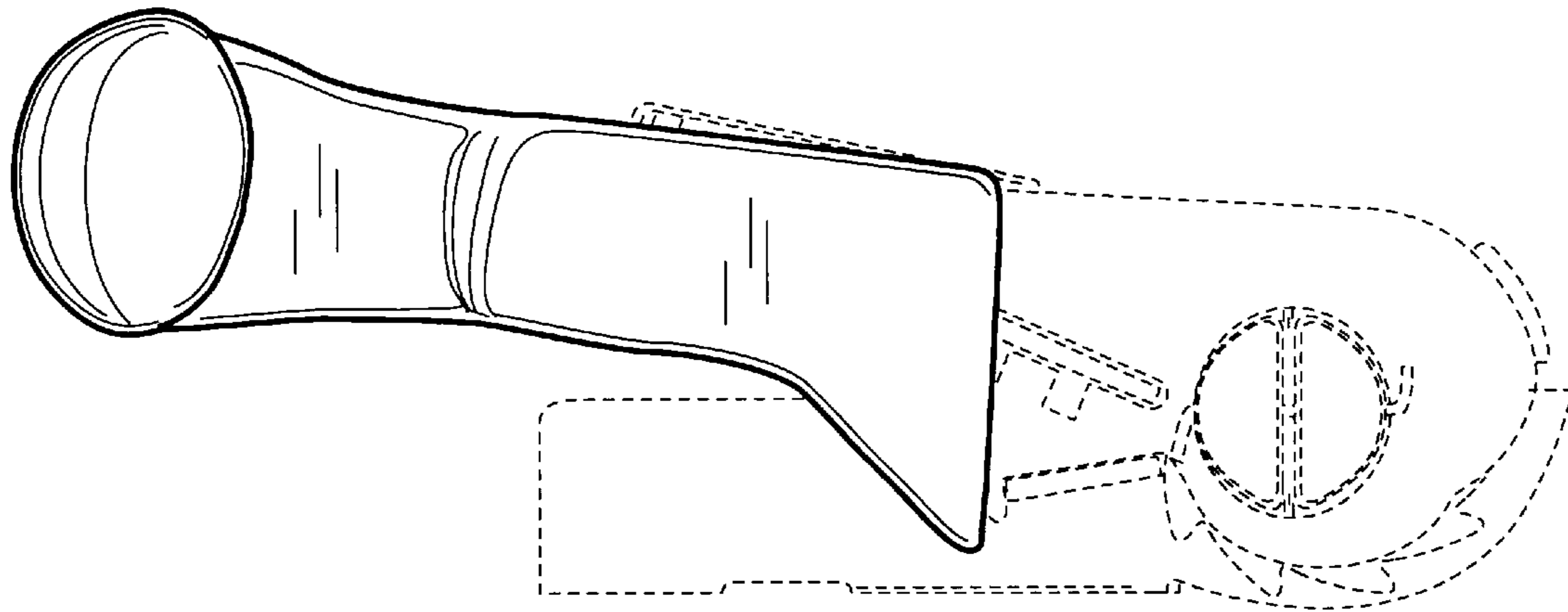


FIG. 5

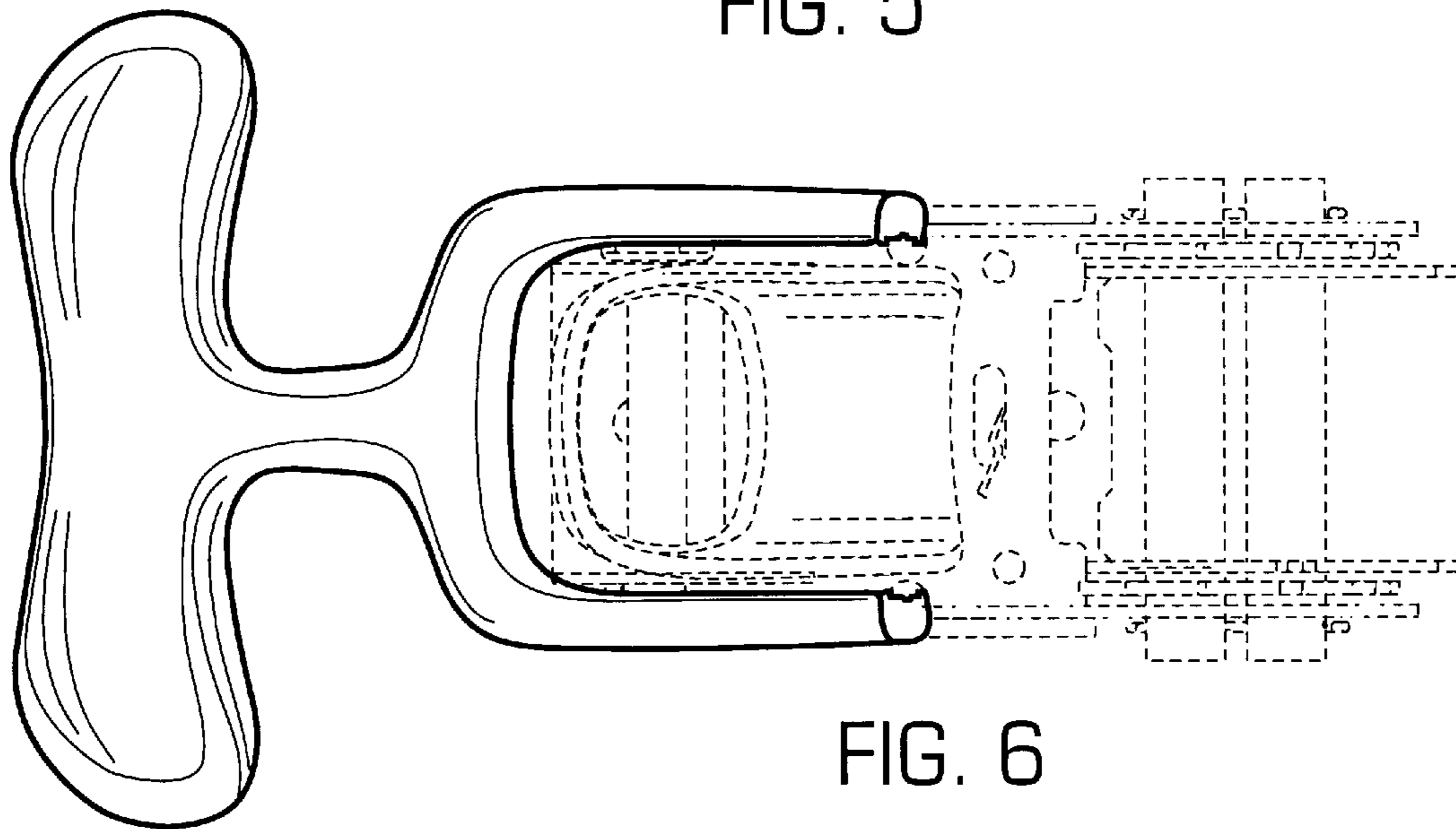


FIG. 6

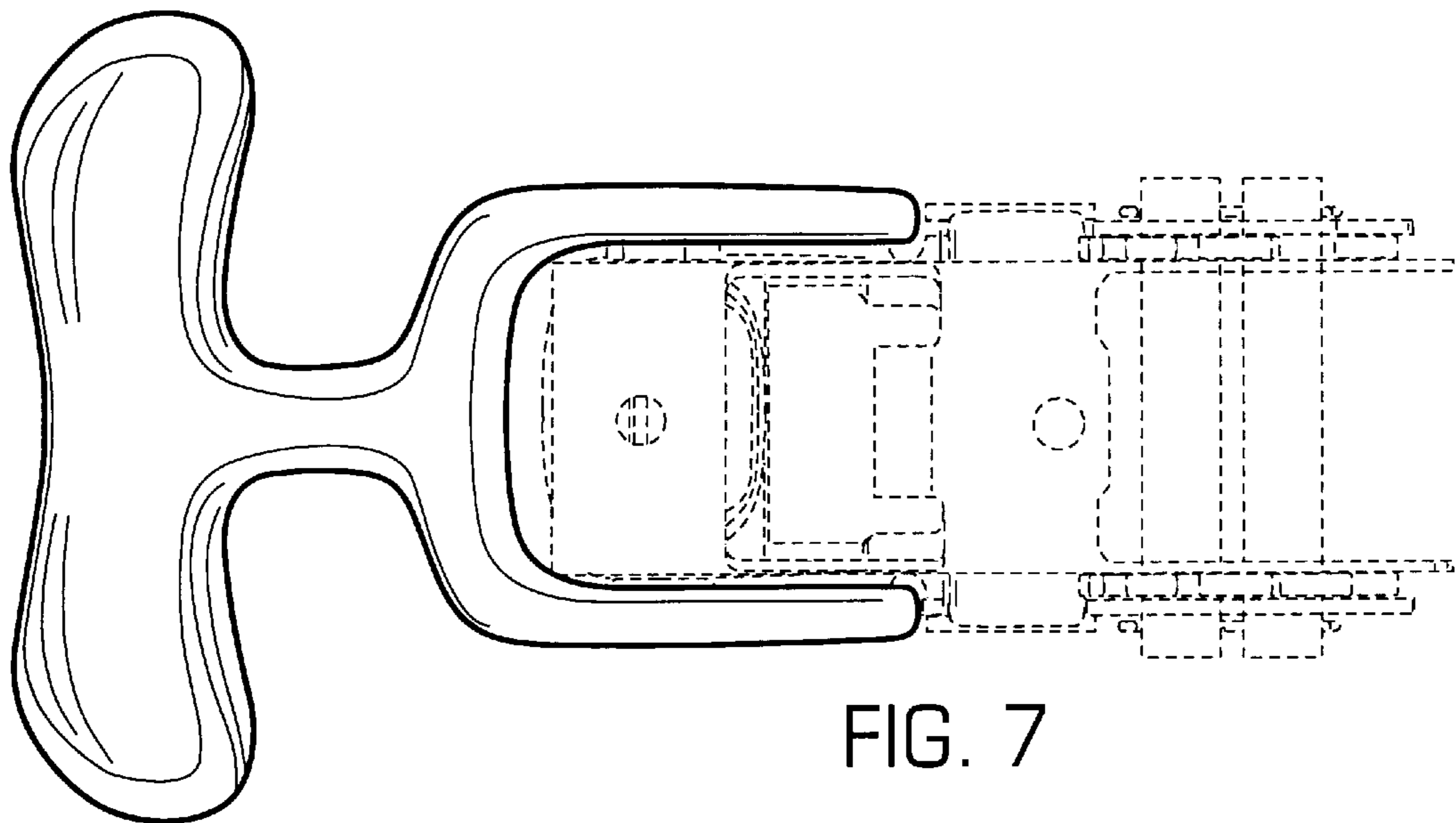


FIG. 7

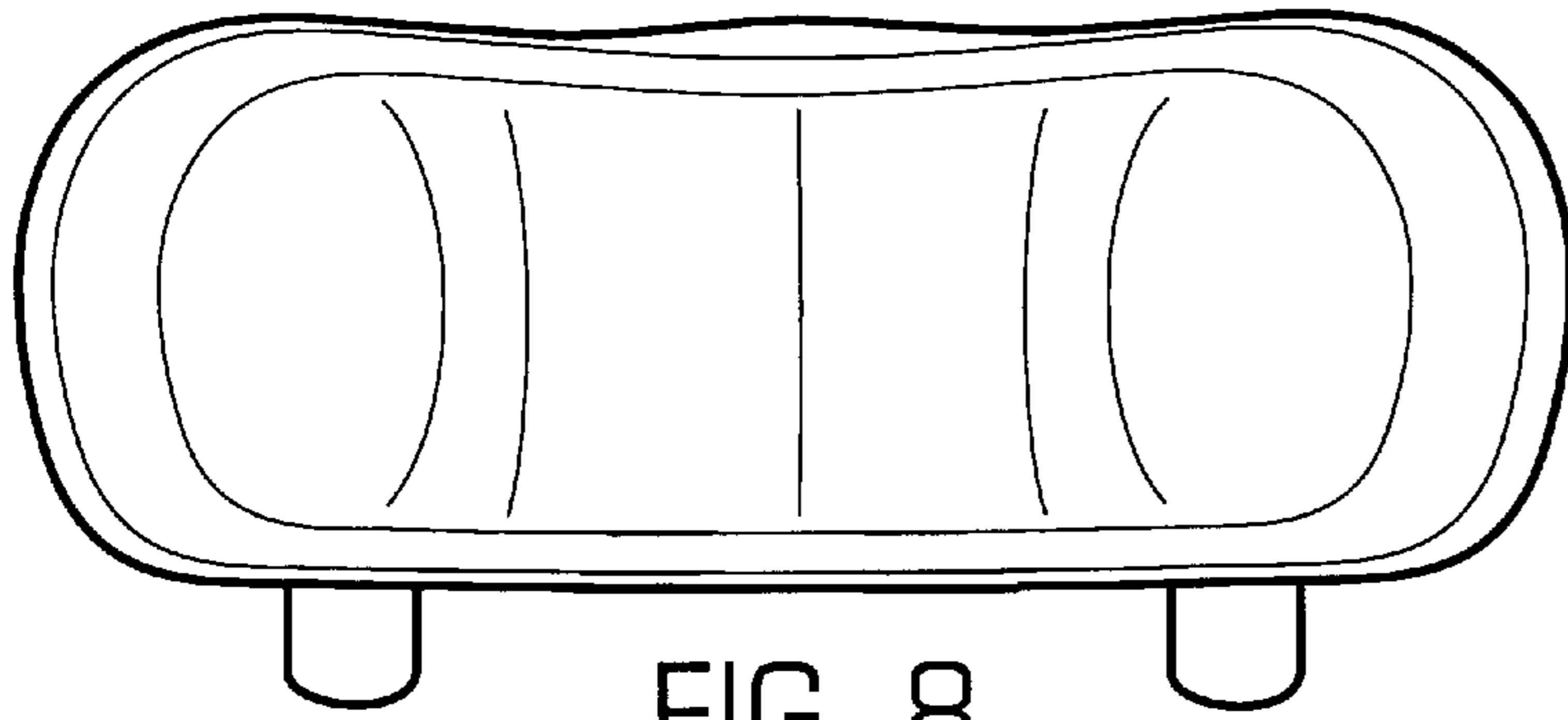


FIG. 8

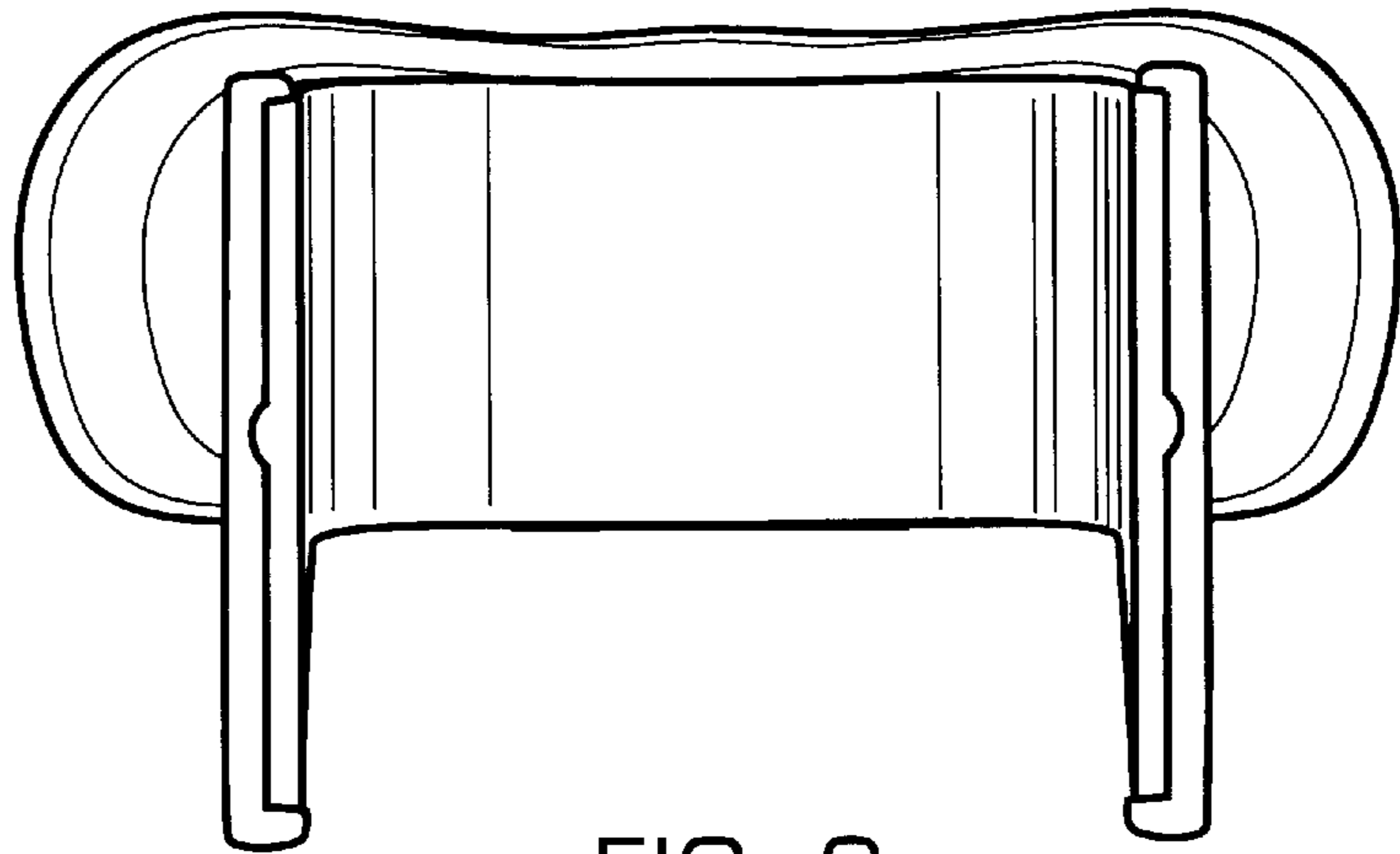


FIG. 9

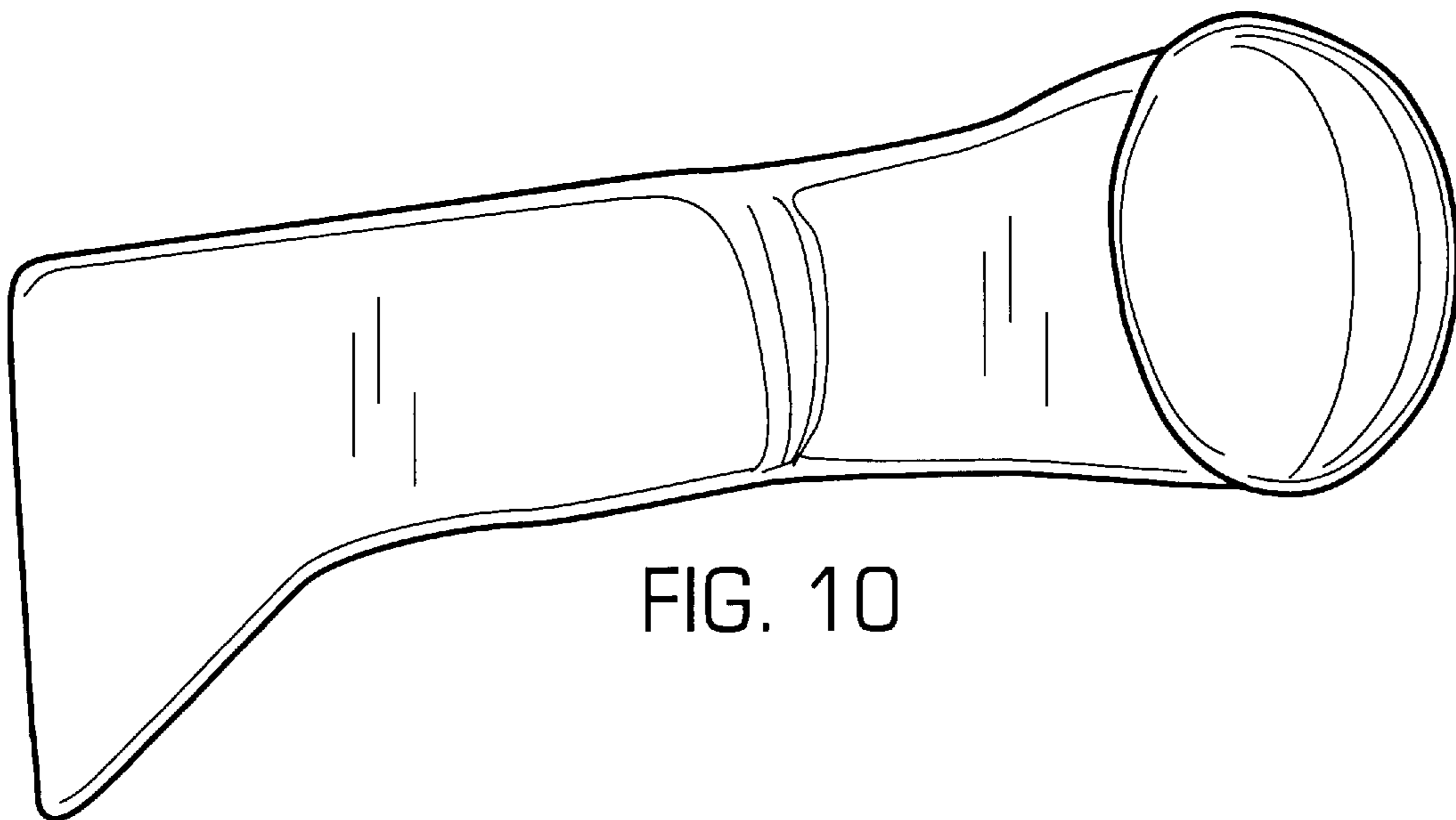


FIG. 10

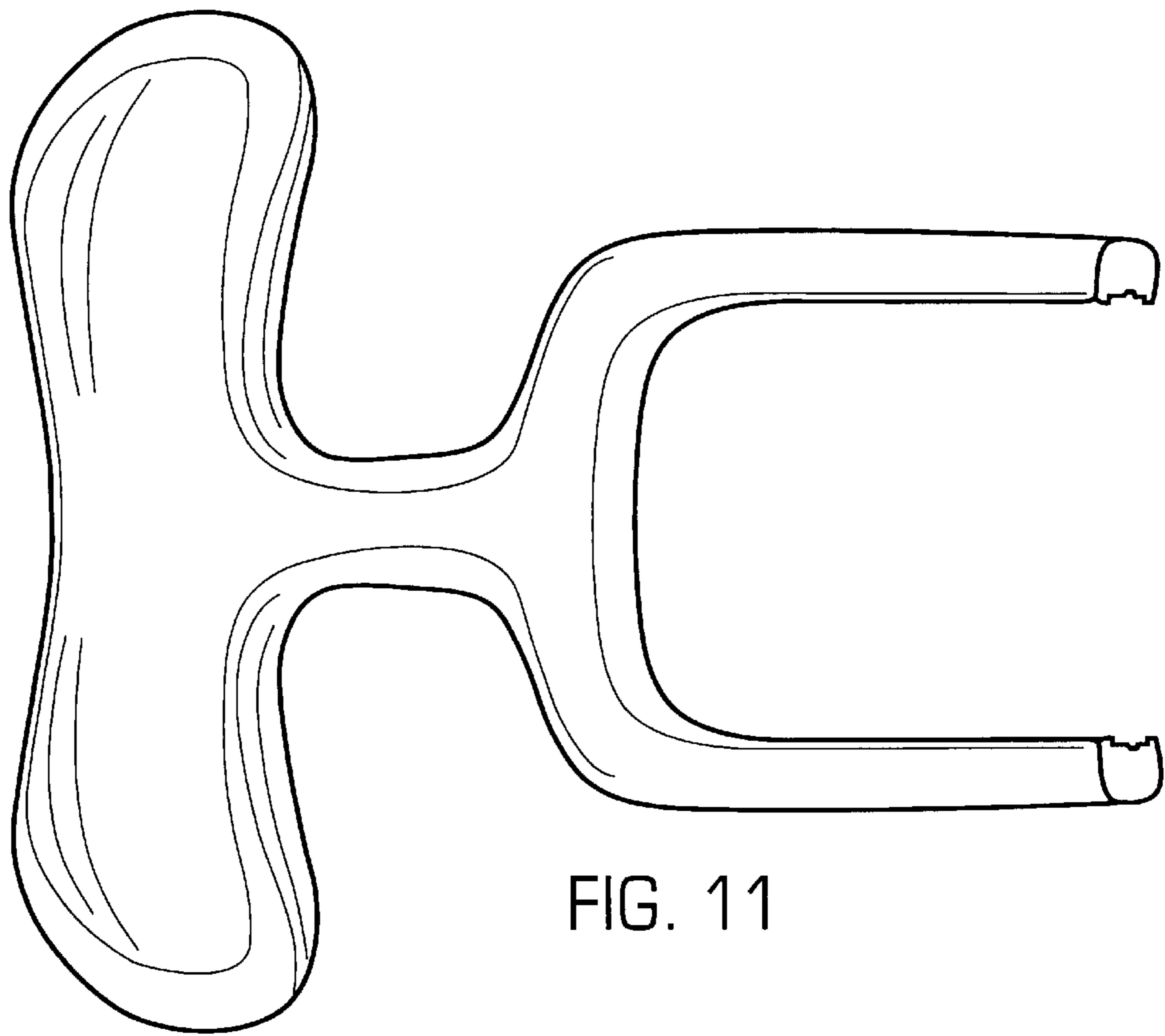


FIG. 11

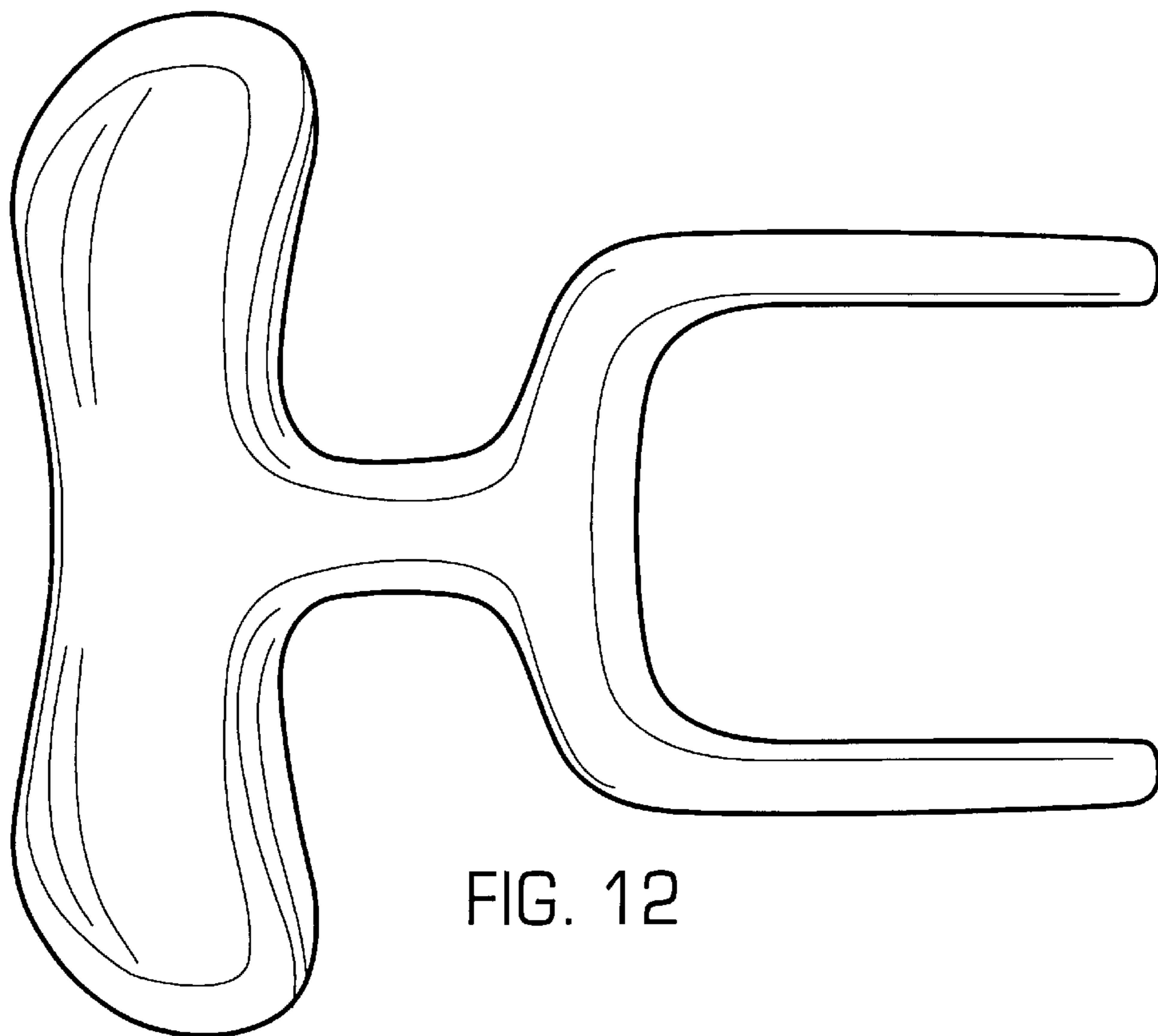


FIG. 12