



US00D527602S

(12) **United States Design Patent** (10) **Patent No.:** **US D527,602 S**  
**Axon et al.** (45) **Date of Patent:** **\*\* Sep. 5, 2006**

(54) **RETRACTABLE SAW**  
(75) Inventors: **Ronald G. Axon**, Rockton, IL (US);  
**Douglas J. Birkholz**, Madison, WI  
(US); **John W. Kroening**, Rockford, IL  
(US); **Sean T. Petersen**, Evansville, WI  
(US)  
(73) Assignee: **Greenlee Textron Inc.**, Rockford, IL  
(US)

5,023,996 A 6/1991 Pape et al.  
5,025,558 A 6/1991 Gilbert  
D319,378 S 8/1991 Wilcox  
5,121,544 A 6/1992 Gilbert  
5,303,469 A 4/1994 Yin-Han  
5,337,481 A 8/1994 Mears  
D357,166 S 4/1995 Concari  
D368,633 S 4/1996 Nakayama  
D374,597 S 10/1996 Birkholz et al.  
5,584,123 A 12/1996 Chi

(\*\*) Term: **14 Years**

(Continued)

(21) Appl. No.: **29/231,990**  
(22) Filed: **Jun. 13, 2005**

FOREIGN PATENT DOCUMENTS

EP 834381 4/1998  
EP 1334806 8/2003  
WO WO 03/076142 9/2003

(51) **LOC (8) Cl.** ..... **08-03**  
(52) **U.S. Cl.** ..... **D8/95**; D8/99  
(58) **Field of Classification Search** ..... D8/95,  
D8/96, 97, 98, 99, 100, 105, 107; 30/162,  
30/507, 517, 329, 335

*Primary Examiner*—Philip S. Hyder  
(74) *Attorney, Agent, or Firm*—Trexler, Bushnell,  
Giangiorgi, Blackstone & Marr, Ltd.

See application file for complete search history.

(57) **CLAIM**

The ornamental design for a retractable saw, as shown and described.

(56) **References Cited**

**DESCRIPTION**

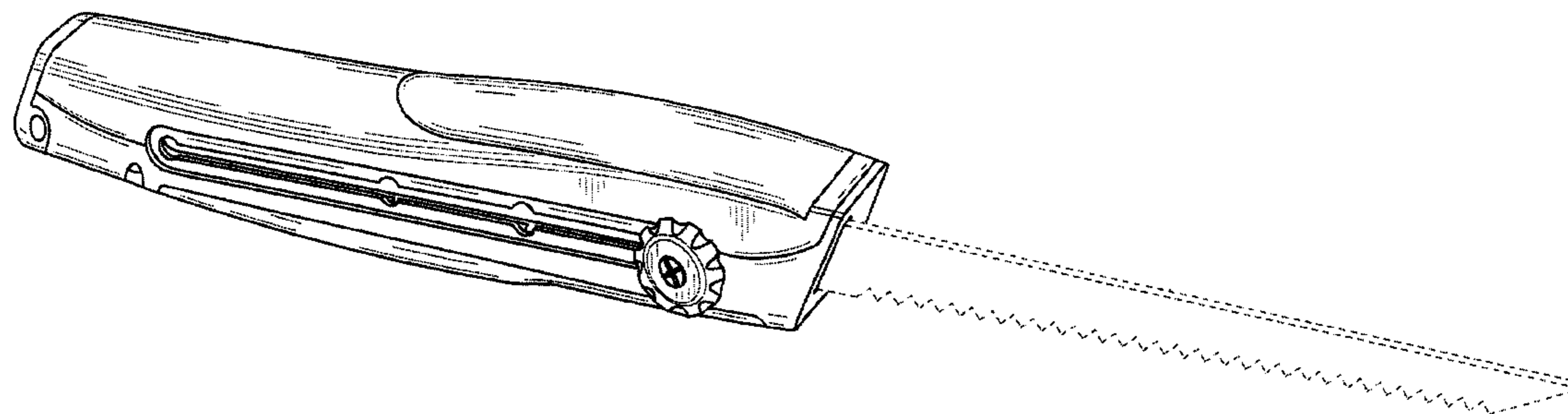
U.S. PATENT DOCUMENTS

692,092 A 1/1902 Upham  
2,305,476 A 12/1942 Johnson  
2,611,178 A 9/1952 Whipple et al.  
2,904,373 A 9/1959 Dowdy et al.  
3,061,327 A 10/1962 Ensinger  
3,061,927 A 11/1962 Ludwigsdorf  
3,857,176 A 12/1974 Quenot  
D257,943 S \* 1/1981 Finlay ..... D8/95  
4,271,592 A 6/1981 Hoptner  
4,461,081 A 7/1984 Gaskins  
4,586,256 A 5/1986 Weimann  
4,630,373 A 12/1986 Staurseth  
4,660,284 A 4/1987 Decarolis  
4,675,996 A 6/1987 DuBuque  
D299,413 S 1/1989 DeCarolis  
4,805,303 A 2/1989 Gibbs  
4,884,307 A 12/1989 Flood  
4,890,387 A 1/1990 Canino  
D307,106 S \* 4/1990 Krebs ..... D8/99  
4,918,820 A 4/1990 Korb et al.

FIG. 1 is a perspective view of the retractable saw in accordance with our design;  
FIG. 2 is a right side elevational view of the retractable saw shown in FIG. 1;  
FIG. 3 is a left side elevational view of the retractable saw shown in FIG. 1;  
FIG. 4 is a front elevational view of the retractable saw shown in FIG. 1;  
FIG. 5 is a rear elevational view of the retractable saw shown in FIG. 1;  
FIG. 6 is a top plan view of the retractable saw shown in FIG. 1; and,  
FIG. 7 is a bottom plan view of the retractable saw shown in FIG. 1.

The broken line showing of the saw blade is for illustrative purposes only and forms no part of the claimed design.

**1 Claim, 3 Drawing Sheets**



# US D527,602 S

Page 2

---

## U.S. PATENT DOCUMENTS

5,604,984 A	2/1997	Shepherd et al.	6,314,646 B1	11/2001	Schmidt
D383,370 S *	9/1997	Chen et al. .... D8/107	6,327,780 B1	12/2001	Bigham et al.
5,661,908 A	9/1997	Chen	D462,250 S	9/2002	Ping
5,727,320 A	3/1998	Shepherd et al.	6,446,340 B1	9/2002	Ping
D394,597 S	5/1998	Shepherd et al.	6,446,341 B1	9/2002	Wang et al.
D403,225 S	12/1998	Okada	6,467,173 B1	10/2002	Umstead et al.
D411,429 S	6/1999	Gringer	6,513,246 B1	2/2003	Ping
D414,670 S	10/1999	Linden	D472,786 S *	4/2003	Cech et al. .... D8/97
5,960,544 A	10/1999	Beyers	6,694,620 B1	2/2004	Kanzawa
5,960,545 A	10/1999	Shepherd et al.	6,789,326 B1	9/2004	Huang
6,000,136 A	12/1999	Owens	D500,240 S	12/2004	Fancelli
D437,767 S	2/2001	Van Deursen	D500,656 S	1/2005	Fancelli
6,192,589 B1	2/2001	Martone et al.	2005/0022390 A1	2/2005	Whitemiller et al.
D439,492 S	3/2001	Martone et al.	2005/0138816 A1	6/2005	Ping

\* cited by examiner

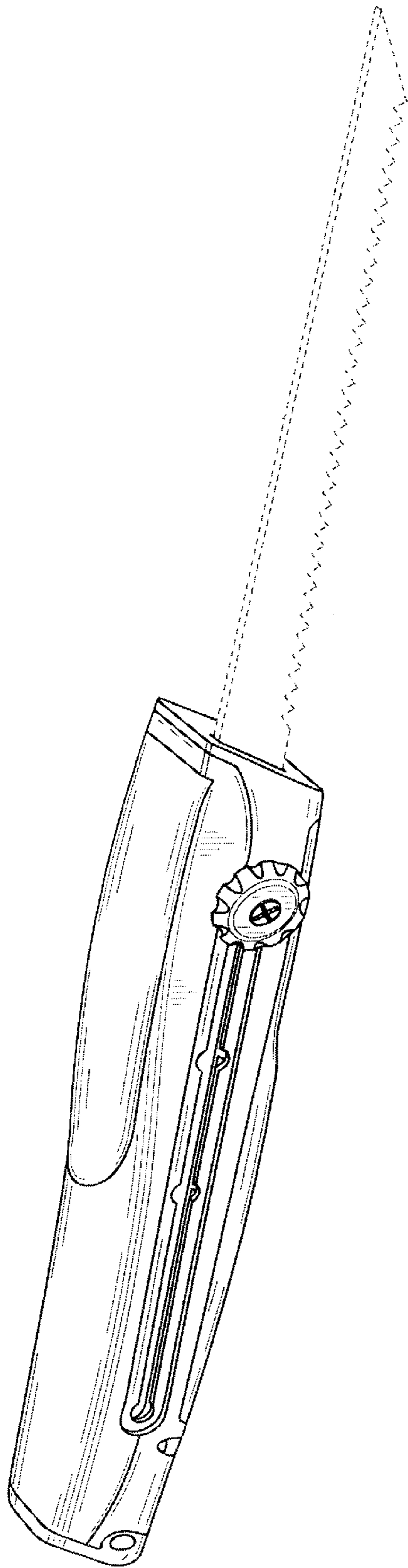


FIG. 1

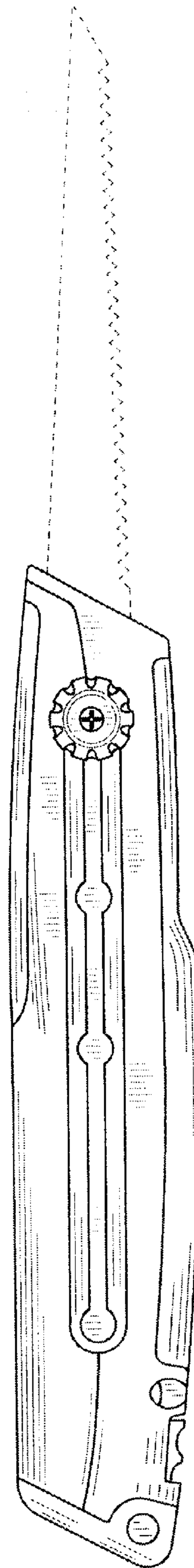


FIG. 2

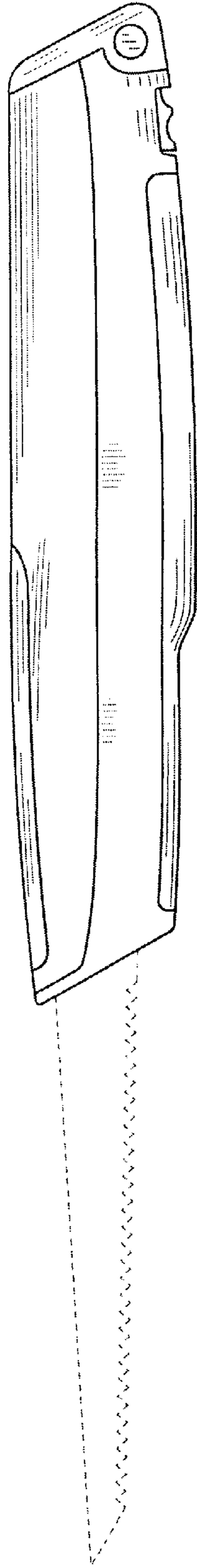


FIG. 3

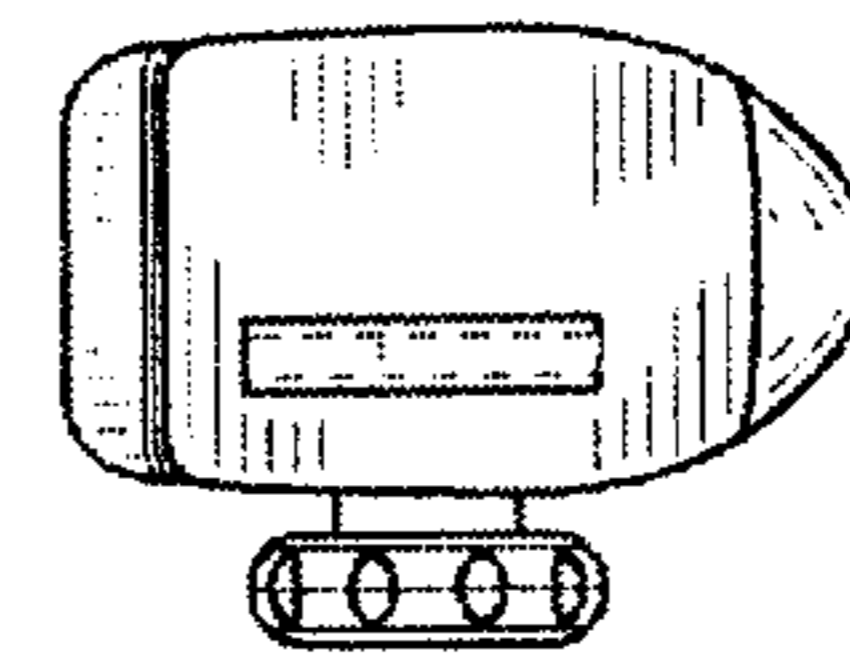


FIG. 4

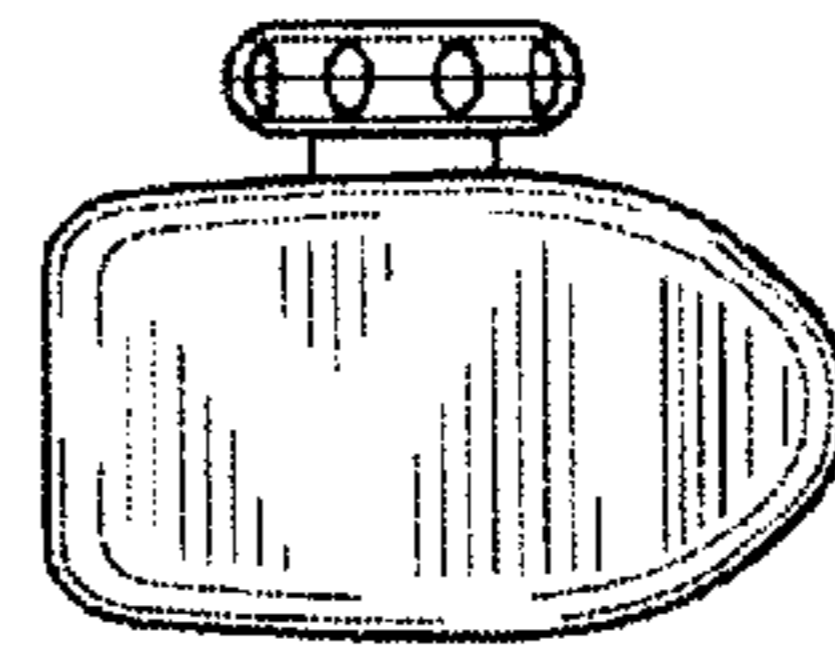


FIG. 5

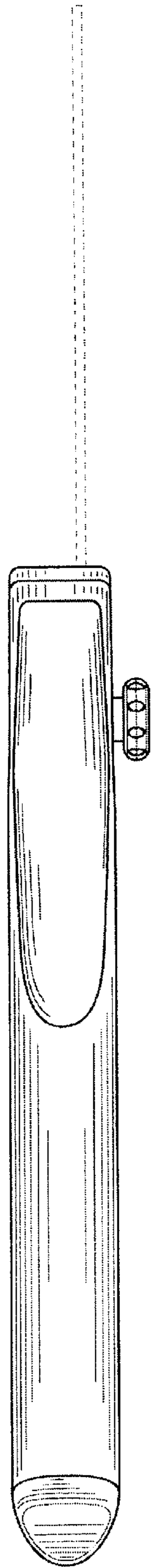


FIG. 6

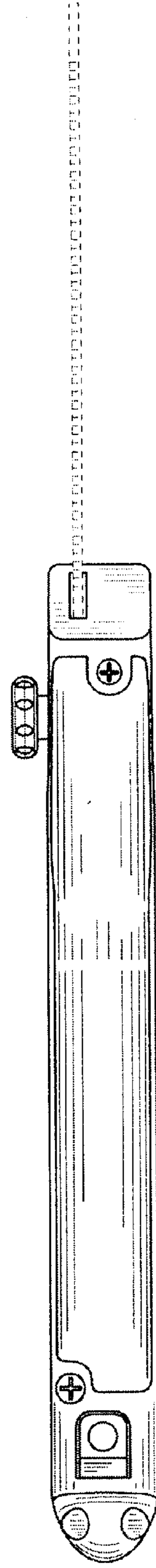


FIG. 7