



US00D527601S

(12) **United States Design Patent** (10) **Patent No.:** **US D527,601 S**  
**Stirm** (45) **Date of Patent:** **\*\* Sep. 5, 2006**

(54) **HAMMER**  
(75) Inventor: **Michael Stirm**, Oberursel (DE)  
(73) Assignee: **Black & Decker Inc.**, Newark, DE (US)  
(\*\*) Term: **14 Years**  
(21) Appl. No.: **29/235,925**  
(22) Filed: **Aug. 8, 2005**  
(30) **Foreign Application Priority Data**  
Feb. 10, 2005 (EM) ..... 000293113  
(51) **LOC (8) Cl.** ..... **08-02**  
(52) **U.S. Cl.** ..... **D8/69**  
(58) **Field of Classification Search** ..... D8/14.1,  
D8/61, 62, 63, 64, 65, 66, 67, 68, 69, 70;  
81/57.11, 429, 464, 465, 466, 469, 489; 173/13,  
173/104, 114, 168, 169, 170, 171, 178, 201,  
173/211, 213, 217; 408/20, 124, 125, 234,  
408/241 R; 451/358; 310/50; 227/8, 114,  
227/120, 130, 136, 142  
See application file for complete search history.

5,697,456 A 12/1997 Radle et al.  
D395,586 S 6/1998 Arakawa et al.  
5,992,541 A 11/1999 Frenzel et al.  
5,996,707 A \* 12/1999 Thome et al. .... 173/217  
D432,077 S 10/2000 Zurwelle et al.  
6,127,751 A \* 10/2000 Kristen et al. .... 310/50  
6,176,321 B1 1/2001 Arakawa et al.  
D442,452 S 5/2001 Stirm et al.  
D447,032 S 8/2001 Schoen et al.  
6,484,814 B1 11/2002 Bongers-Ambrosius  
D466,780 S 12/2002 Stirm  
D474,092 S 5/2003 Stirm  
D477,206 S 7/2003 Sakai et al.  
D480,937 S 10/2003 Vogeles et al.  
D481,672 S 11/2003 Niwa et al.  
D485,738 S 1/2004 Pretzell  
D491,438 S 6/2004 Cheung et al.  
6,766,868 B1 7/2004 Frauhammer et al.  
D502,377 S 3/2005 Aglassinger  
D503,078 S \* 3/2005 Sakai et al. .... D8/69  
D509,120 S \* 9/2005 Okuda et al. .... D8/69  
6,938,705 B1 \* 9/2005 Kikuchi ..... 173/201

(Continued)

**FOREIGN PATENT DOCUMENTS**

GB 2038046 S \* 9/1993  
GB 2084054 S \* 12/1998

*Primary Examiner*—T. Chase Nelson  
(74) *Attorney, Agent, or Firm*—Michael P. Leary; Charles E. Yocum; Adan Ayala

(56) **References Cited**

**U.S. PATENT DOCUMENTS**

4,365,962 A \* 12/1982 Regelsberger ..... 173/178  
4,998,588 A \* 3/1991 Manschitz ..... 173/104  
D316,020 S 4/1991 Fushiya et al.  
D320,918 S 10/1991 Mochida  
5,111,889 A \* 5/1992 Neumaier ..... 173/48  
D327,400 S 6/1992 Fushiya  
D328,556 S 8/1992 Fushiya  
D333,767 S 3/1993 Sasaki et al.  
D341,532 S 11/1993 Watanabe et al.  
D341,533 S 11/1993 Karafuji et al.  
D349,029 S 7/1994 Matsunaga et al.  
D361,252 S 8/1995 De Neergaard et al.  
D378,341 S 3/1997 Kim  
D378,654 S 4/1997 Matsuoka et al.  
D380,132 S 6/1997 Matsunaga et al.  
D386,379 S 11/1997 Kasuya

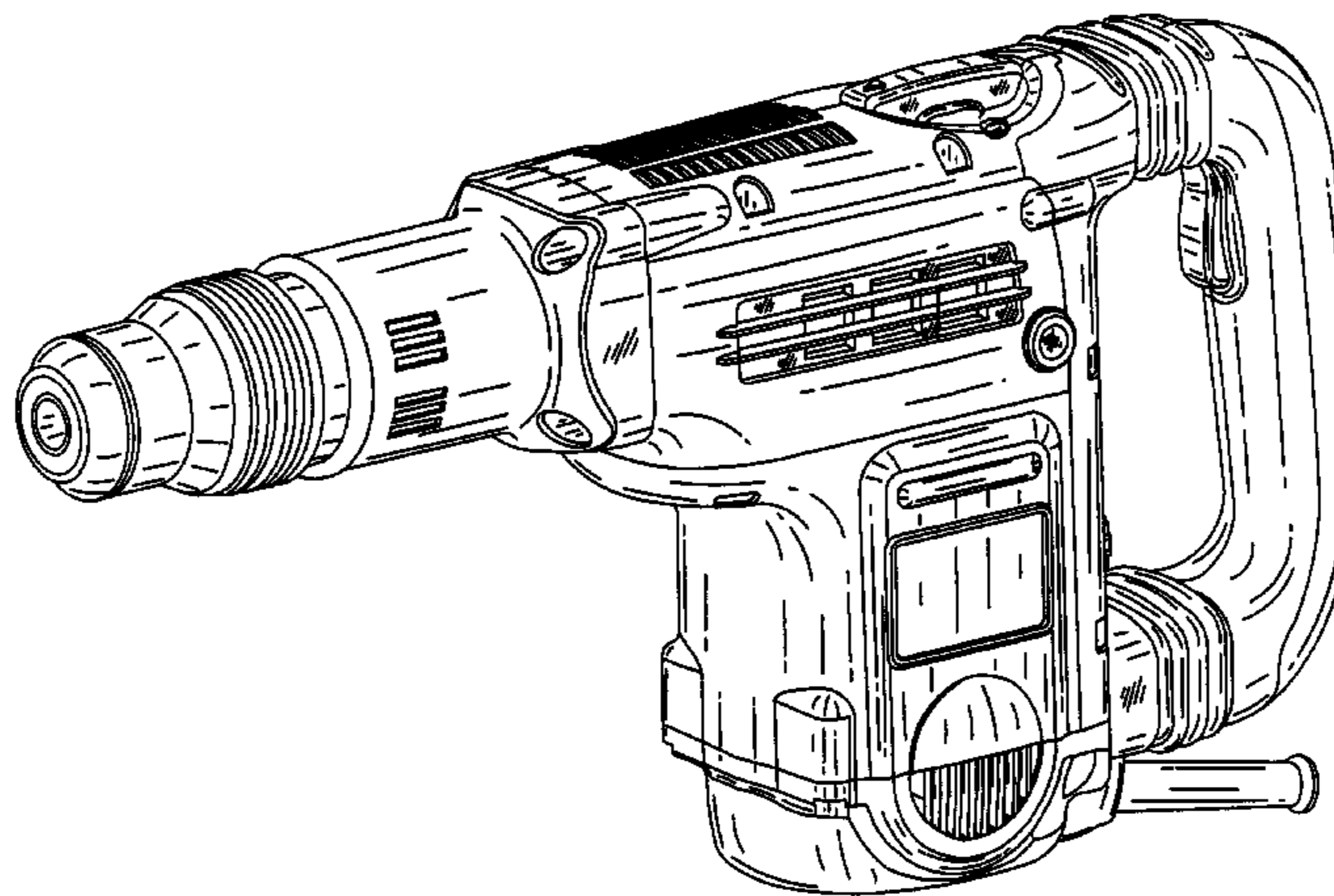
(57) **CLAIM**

The ornamental design for a hammer, as shown and described.

**DESCRIPTION**

FIG. 1 is a left/front perspective view of a hammer.  
FIG. 2 is a left side elevational view thereof.  
FIG. 3 is a right side elevational view thereof.  
FIG. 4 is a top view thereof.  
FIG. 5 is a bottom view thereof.  
FIG. 6 is a front elevational view thereof; and,  
FIG. 7 is a rear elevational view thereof.

**1 Claim, 5 Drawing Sheets**



# US D527,601 S

Page 2

---

## U.S. PATENT DOCUMENTS

2003/0070823	A1 *	4/2003	Kristen et al. ....	173/217	2005/0087352	A1 *	4/2005	Fohr .....	173/114
2004/0112615	A1 *	6/2004	Mayr et al. ....	173/217	2005/0087353	A1 *	4/2005	Oki et al. ....	173/170
2005/0023017	A1	2/2005	Sakai						

\* cited by examiner

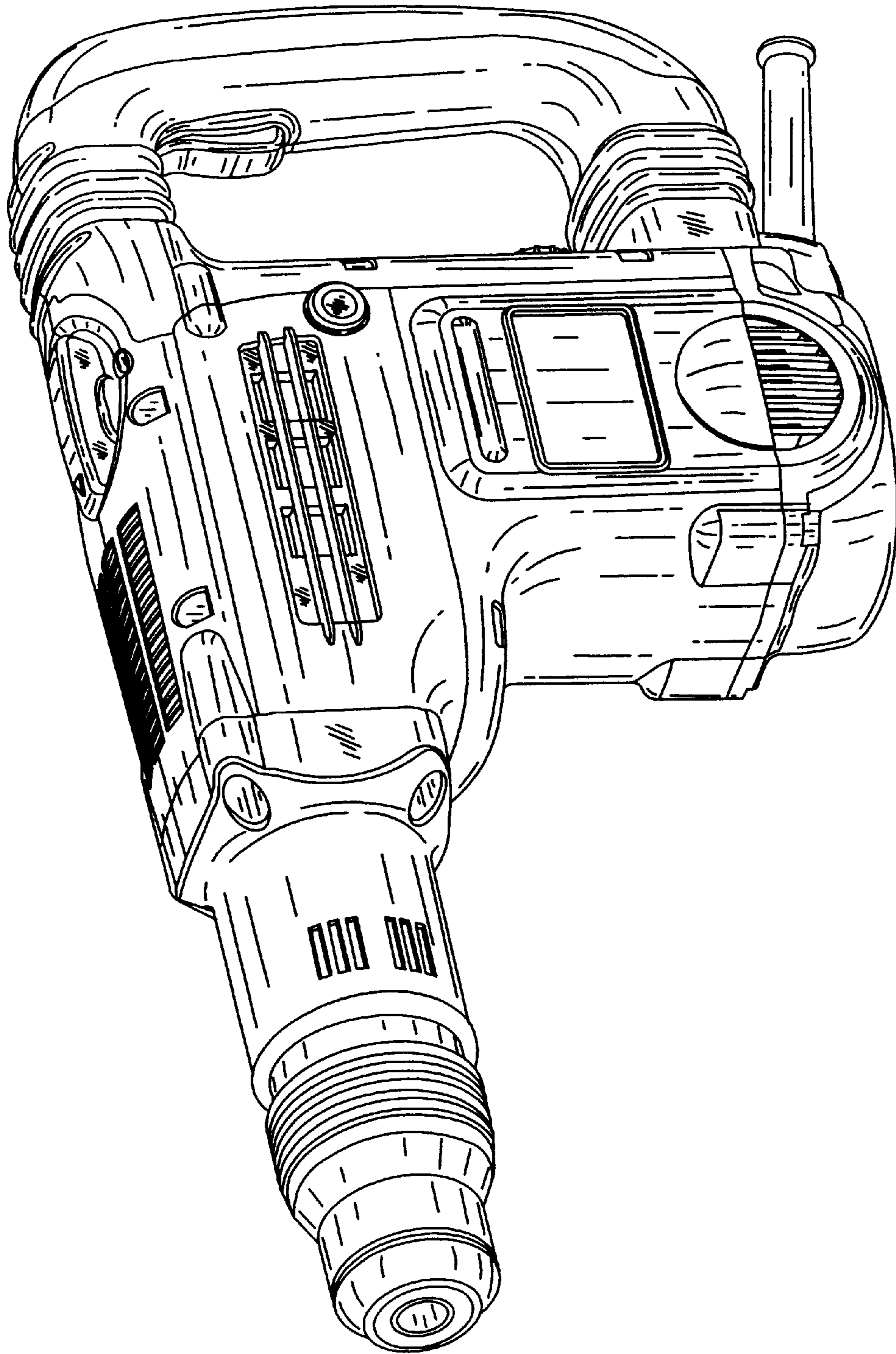


FIG.1

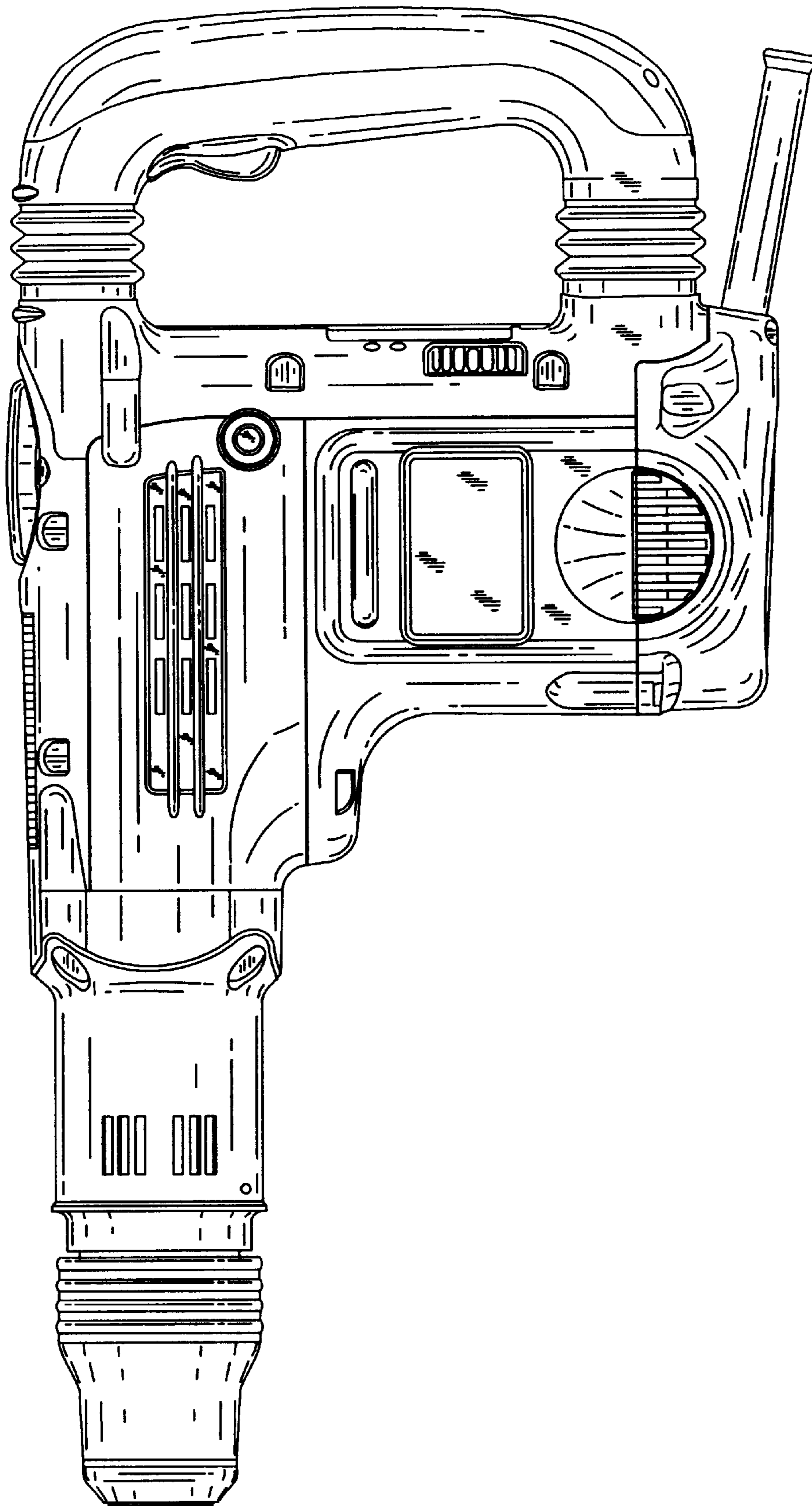


FIG.2

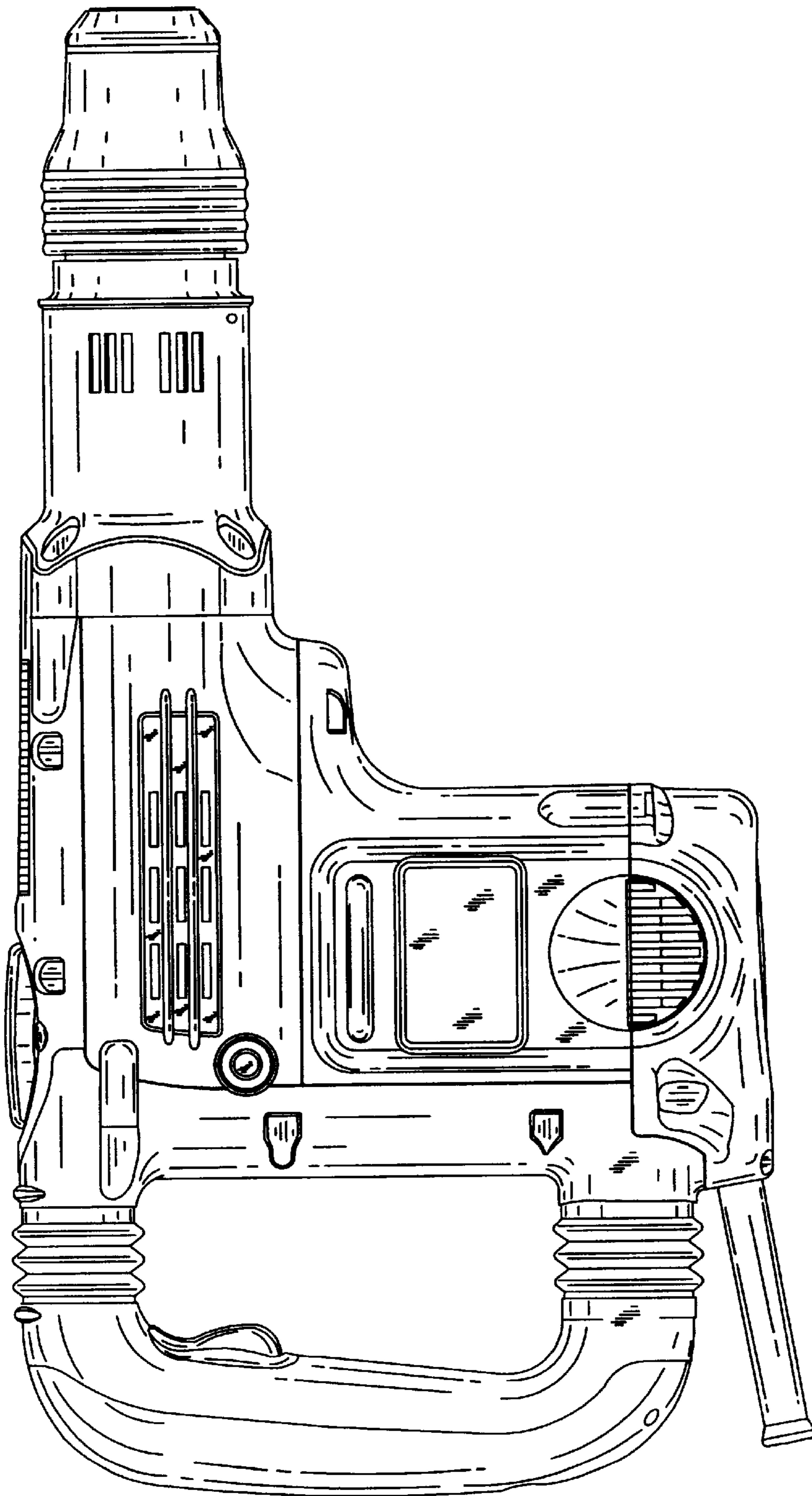


FIG.3

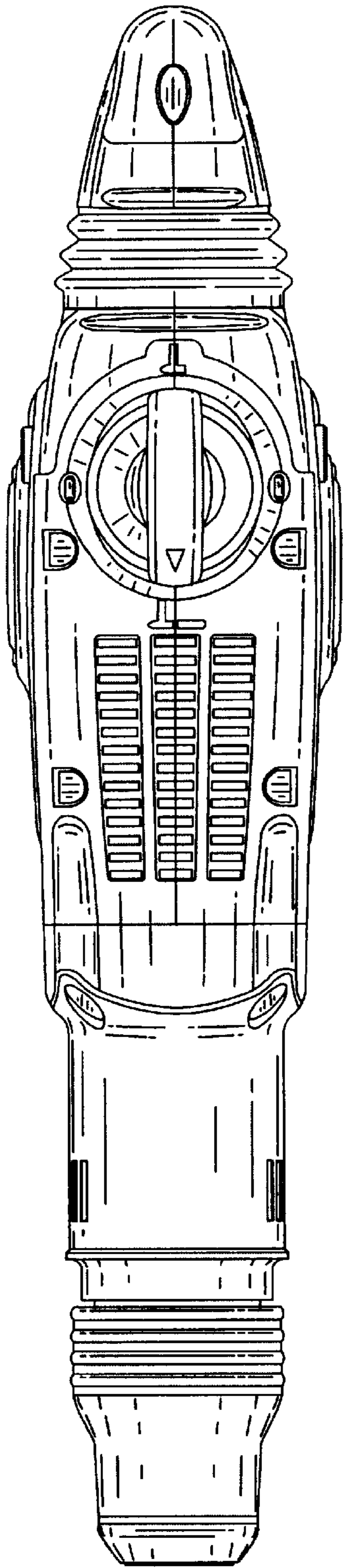


FIG.4

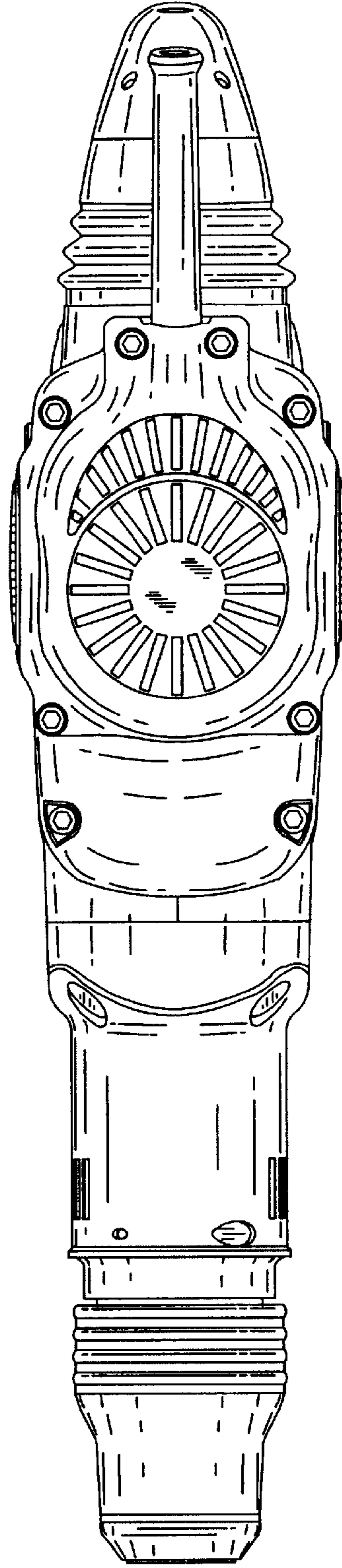


FIG.5

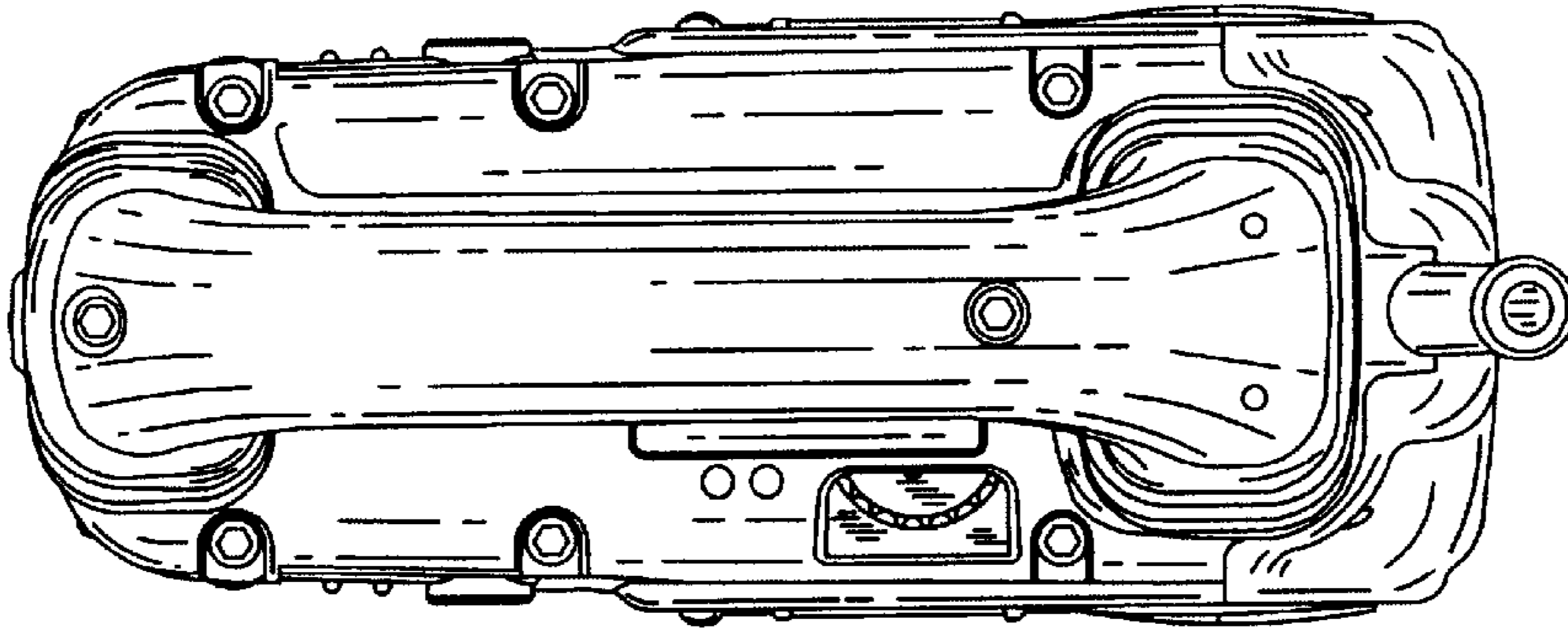


FIG.7

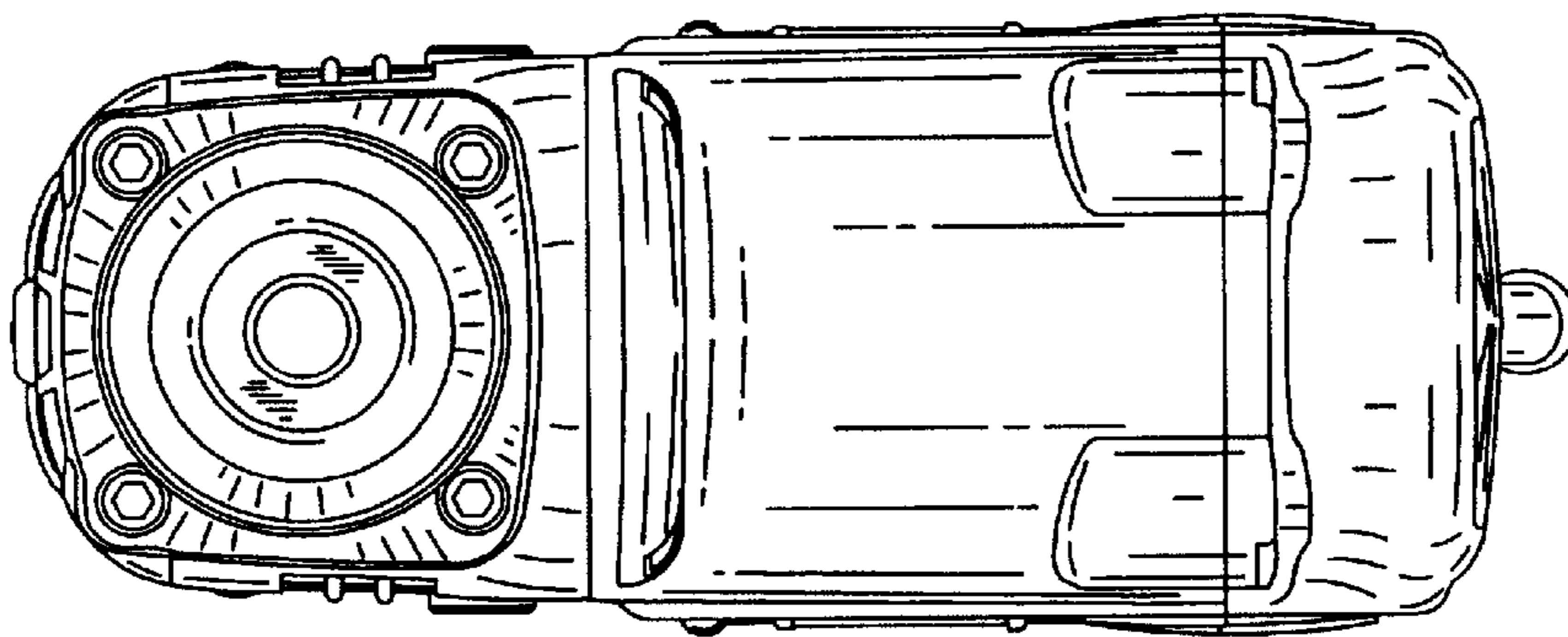


FIG.6