



US00D527599S

(12) **United States Design Patent**
Ng

(10) **Patent No.:** **US D527,599 S**

(45) **Date of Patent:** **** Sep. 5, 2006**

(54) **ELECTRIC CIRCULAR SAW**

(75) Inventor: **David Wai Wah Ng**, Hong Kong (CN)

(73) Assignee: **Winsource Industries Limited**, Hong Kong (CN)

(**) Term: **14 Years**

(21) Appl. No.: **29/212,177**

(22) Filed: **Aug. 27, 2004**

(51) **LOC (8) Cl.** **08-03**

(52) **U.S. Cl.** **D8/66**

(58) **Field of Classification Search** D8/69,
D8/68, 67, 66, 64, 61, 70; 83/698.41, 747;
30/166.3, 374, 373, 375, 376, 391, 377, 390,
30/388, 389; 125/13.01; 144/218

See application file for complete search history.

(56) **References Cited**

U.S. PATENT DOCUMENTS

D326,399 S	*	5/1992	Fushiya et al.	D8/66
D332,735 S	*	1/1993	Fushiya et al.	D8/66
D363,656 S	*	10/1995	Gierke	D8/66
D378,488 S	*	3/1997	Ito et al.	D8/66
D411,425 S	*	6/1999	Sugimoto et al.	D8/66
D427,872 S	*	7/2000	Snider	D8/66
D427,873 S	*	7/2000	Inoue	D8/66
D427,874 S	*	7/2000	Hayakawa et al.	D8/66
D433,300 S	*	11/2000	Buck	D8/66
D453,099 S	*	1/2002	Welsh	D8/66
D466,385 S	*	12/2002	Shigo et al.	D8/66
D470,376 S	*	2/2003	Chunn et al.	D8/66

6,543,143 B1	*	4/2003	Moore et al.	30/391
D488,977 S	*	4/2004	Evans	D8/66
6,889,439 B1	*	5/2005	Koukal et al.	30/377

* cited by examiner

Primary Examiner—Cathron C. Brooks

Assistant Examiner—Austin Murphy

(74) *Attorney, Agent, or Firm*—Alix, Yale & Ristas, LLP

(57) **CLAIM**

The ornamental design for an electric circular saw, as shown and described.

DESCRIPTION

FIG. 1 is a perspective view of an electric circular saw in accordance with the invention;

FIG. 2 is a left side elevational view thereof;

FIG. 3 is a right side elevational view thereof;

FIG. 4 is a top plan view thereof;

FIG. 5 is a bottom plan view thereof;

FIG. 6 is a front elevational view thereof;

FIG. 7 is a rear elevational view thereof;

FIG. 8 is a perspective view of a first alternative embodiment of the electric circular saw in accordance with the invention;

FIG. 9 is a left side elevational view thereof;

FIG. 10 is a right side elevational view thereof;

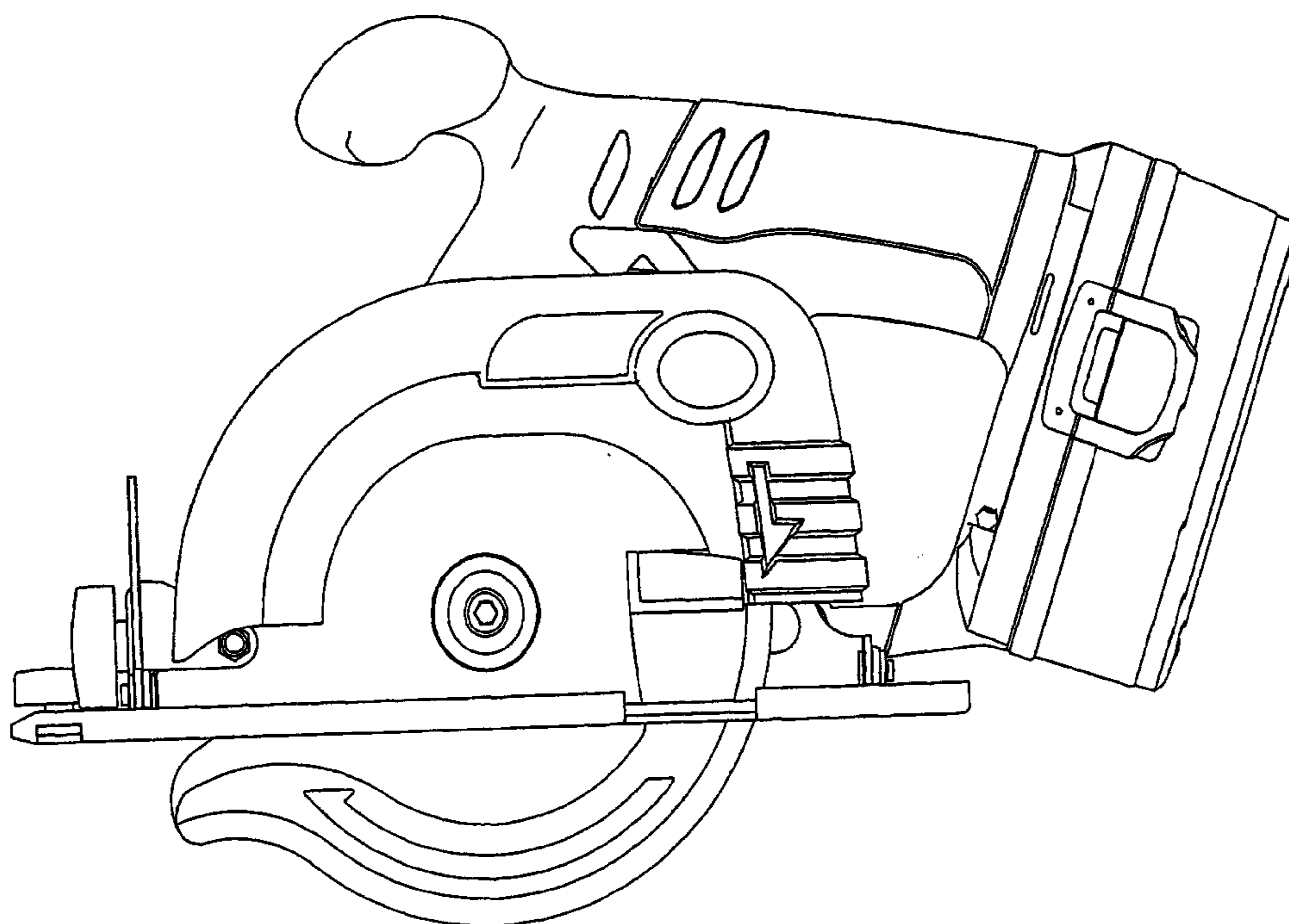
FIG. 11 is a top plan view thereof;

FIG. 12 is a bottom plan view thereof;

FIG. 13 is a front elevational view thereof; and,

FIG. 14 is a rear elevational view thereof.

1 Claim, 12 Drawing Sheets



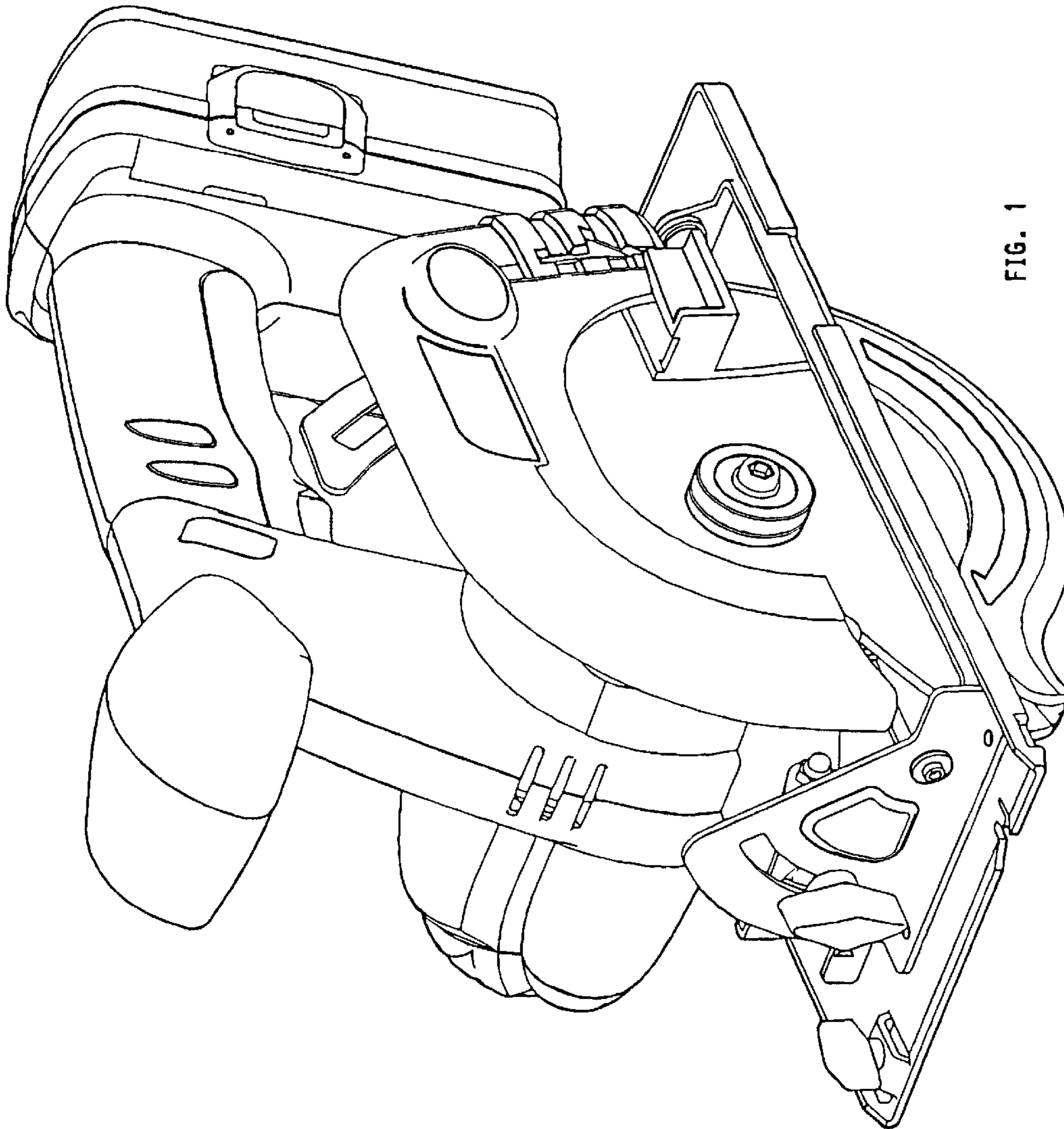


FIG. 1

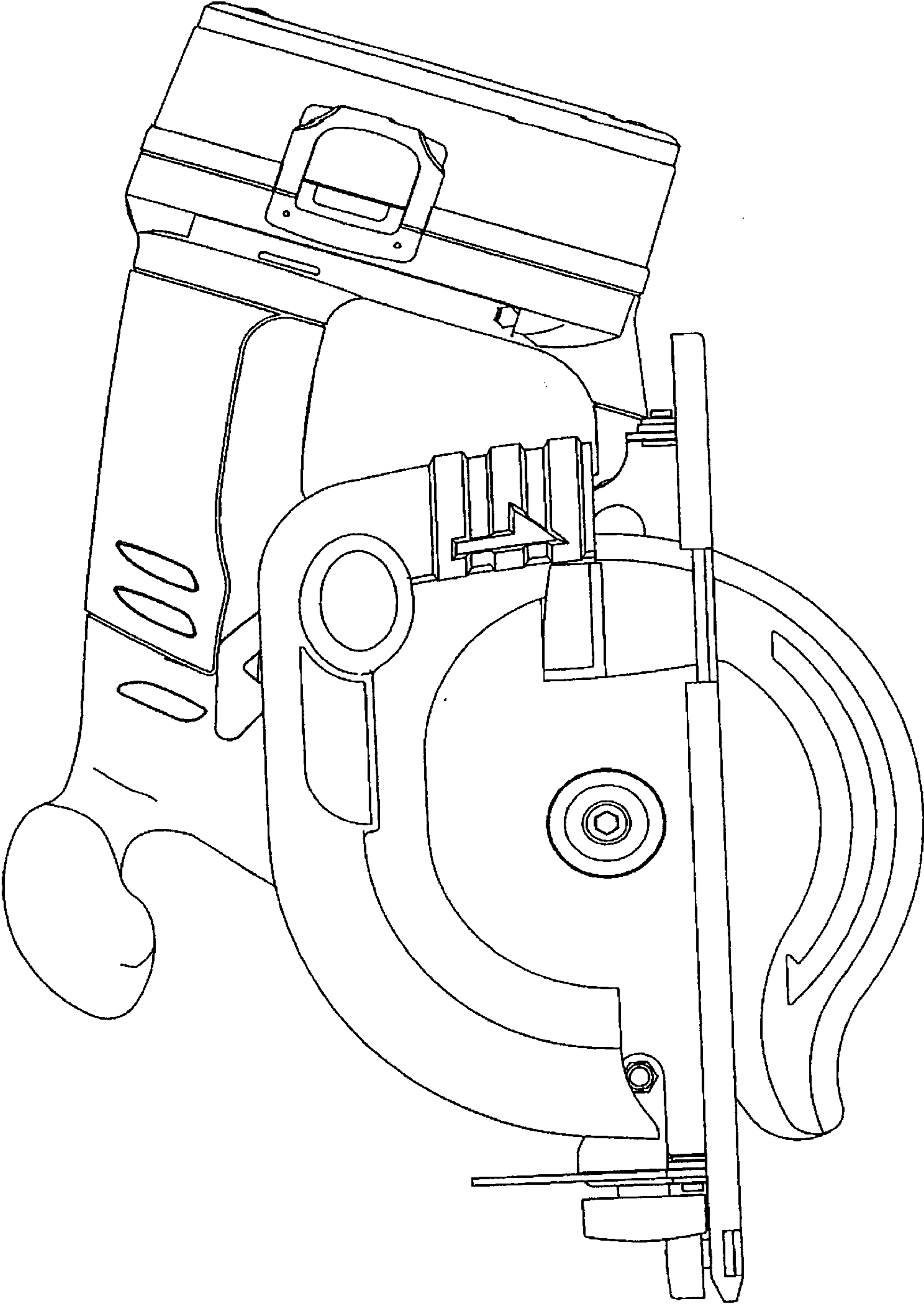


FIG. 2

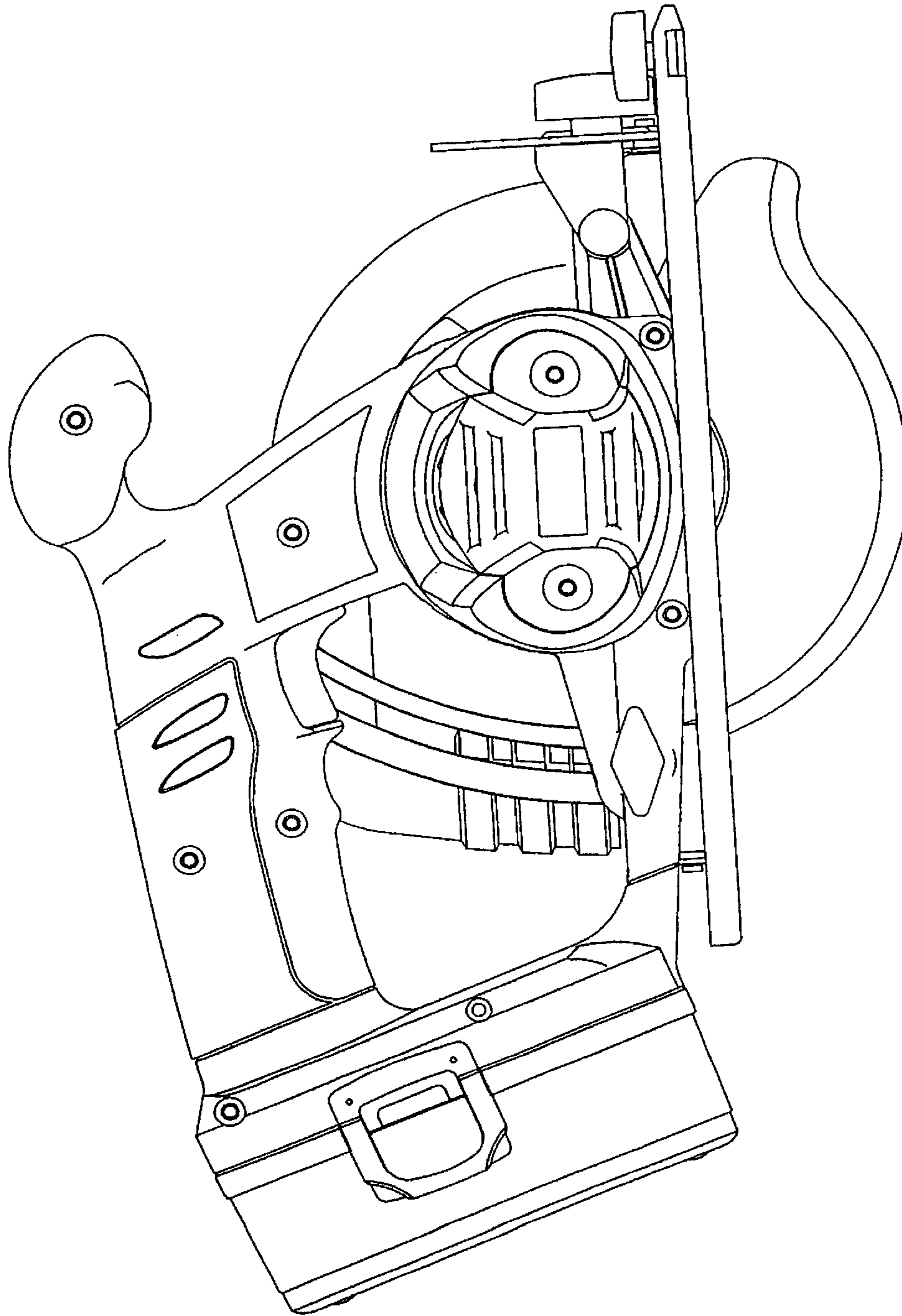


FIG. 3

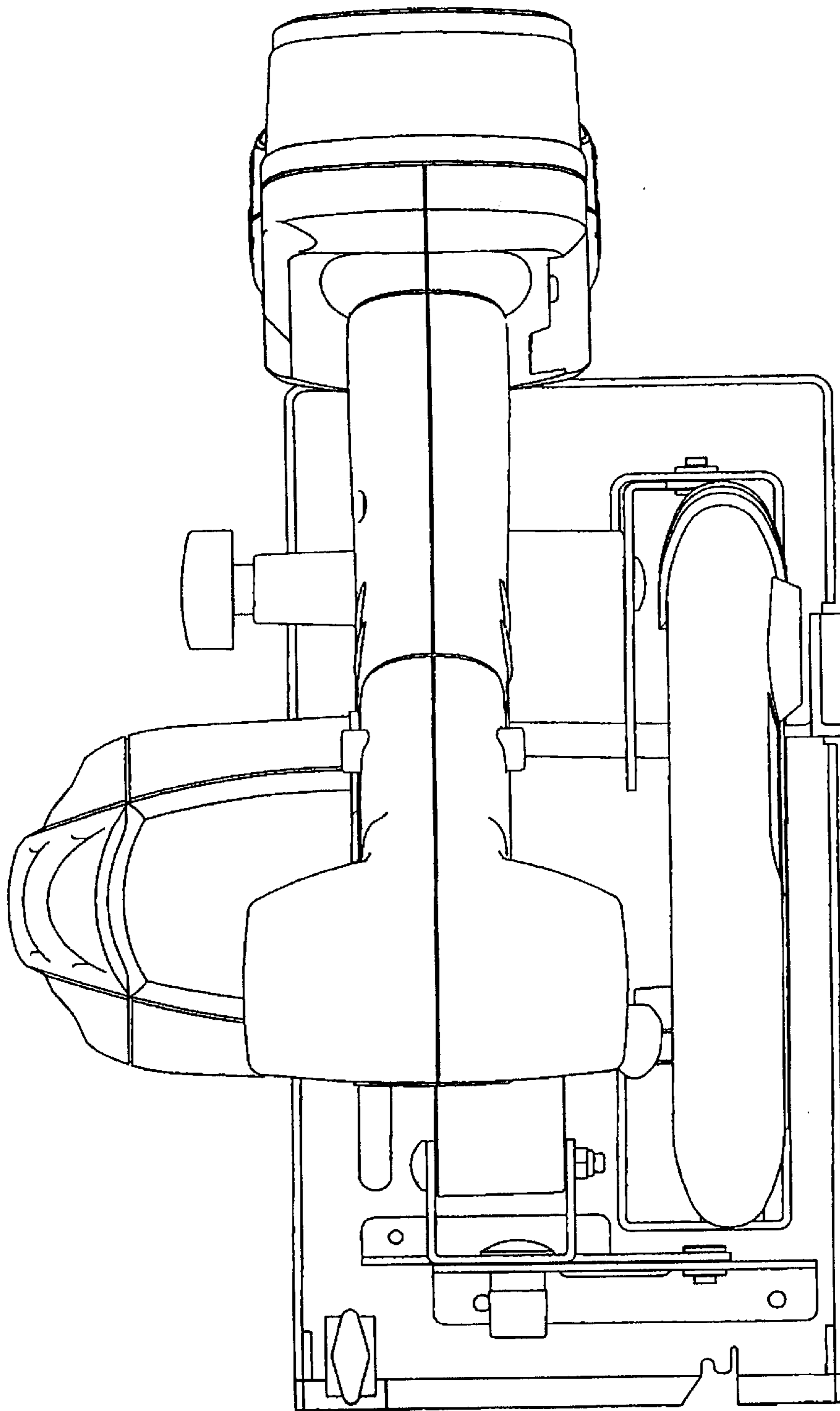


FIG. 4

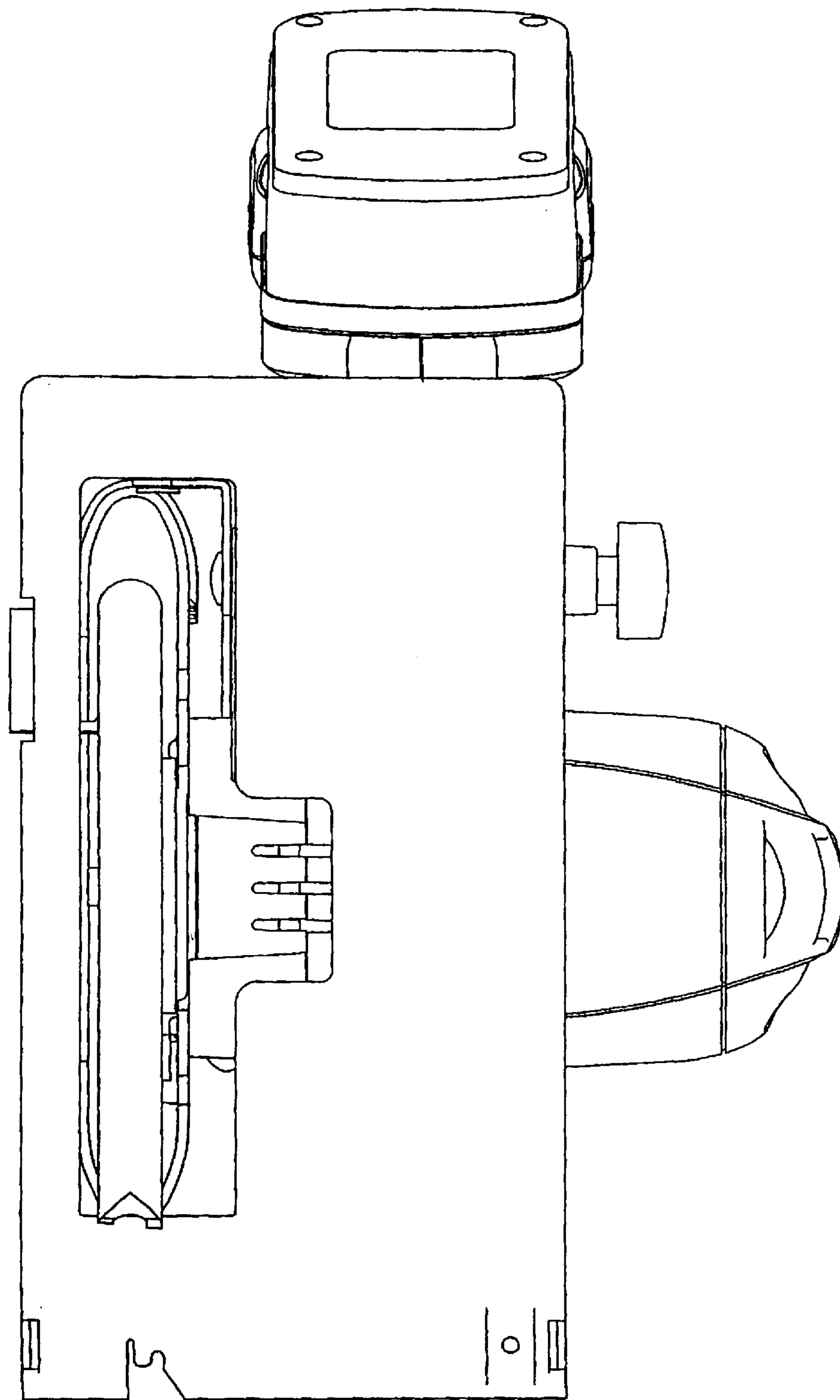


FIG. 5

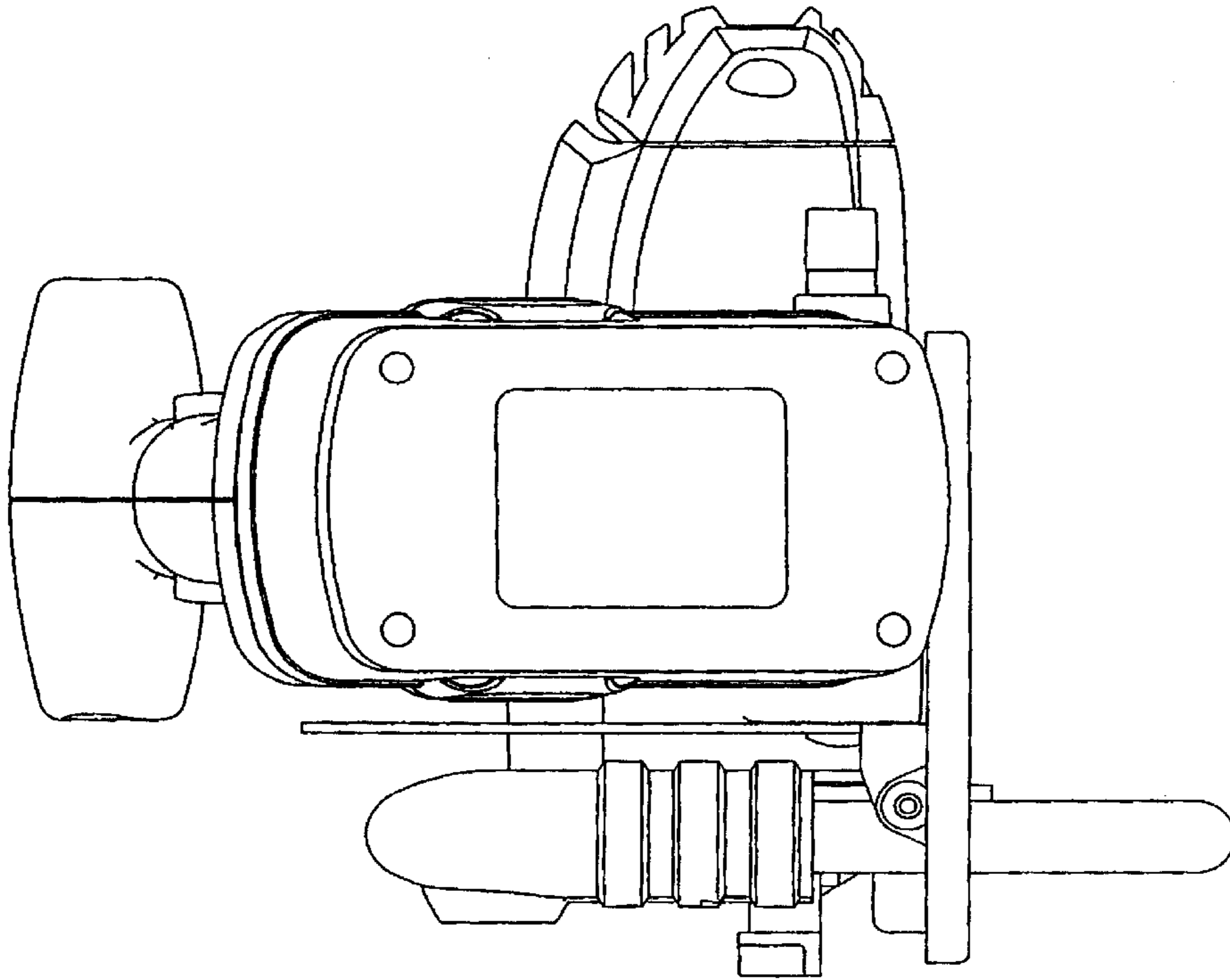


FIG. 7

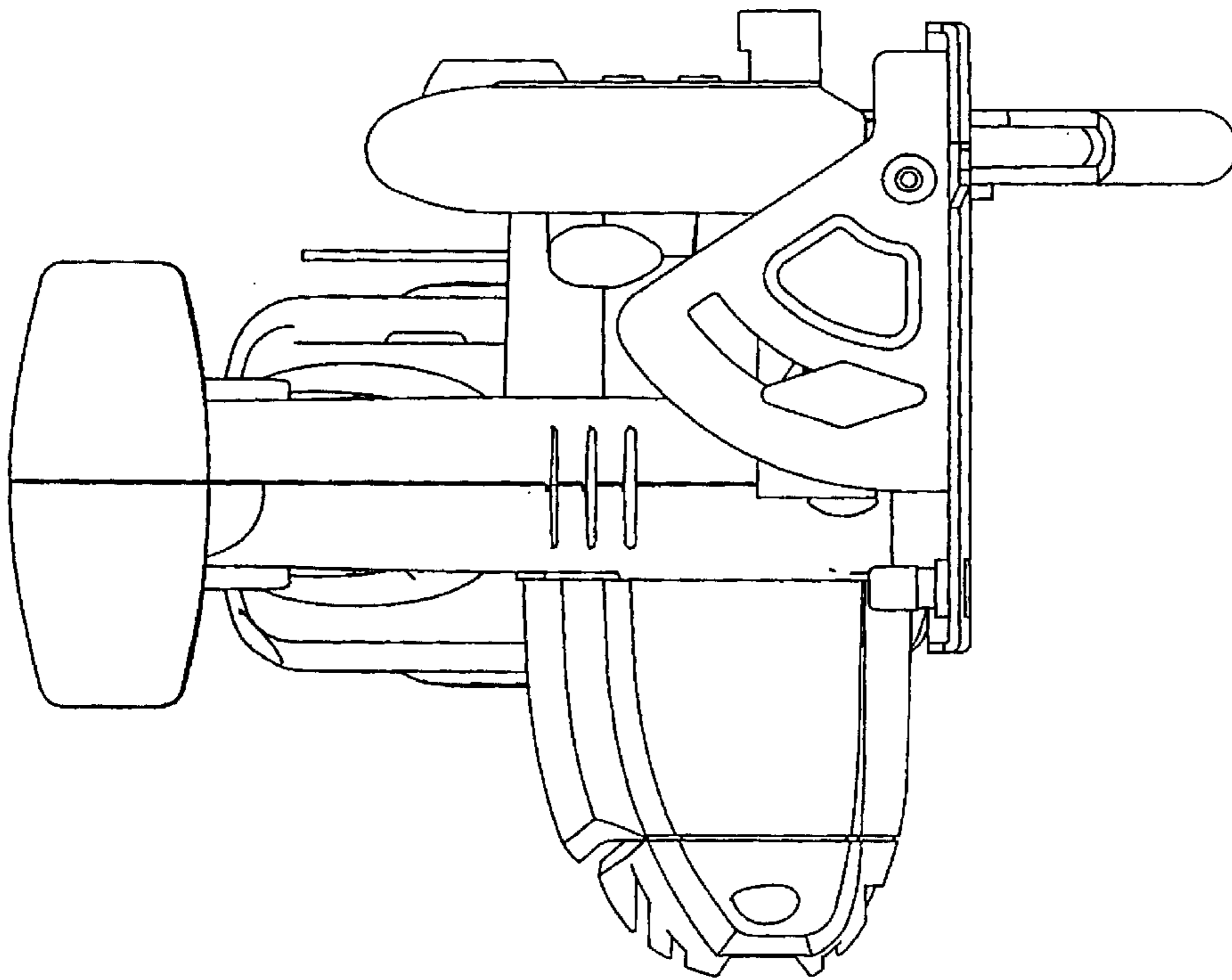


FIG. 6

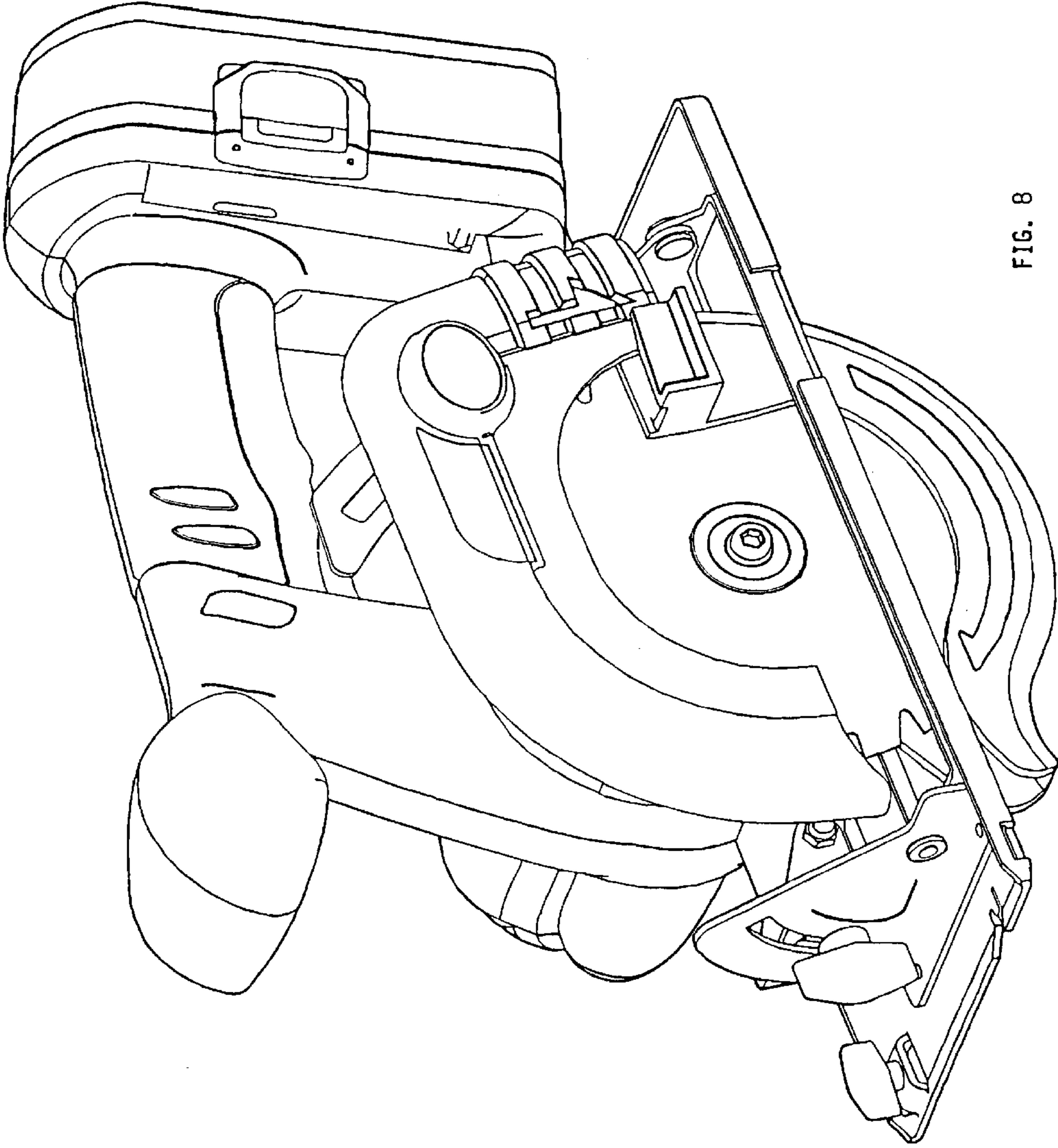


FIG. 8

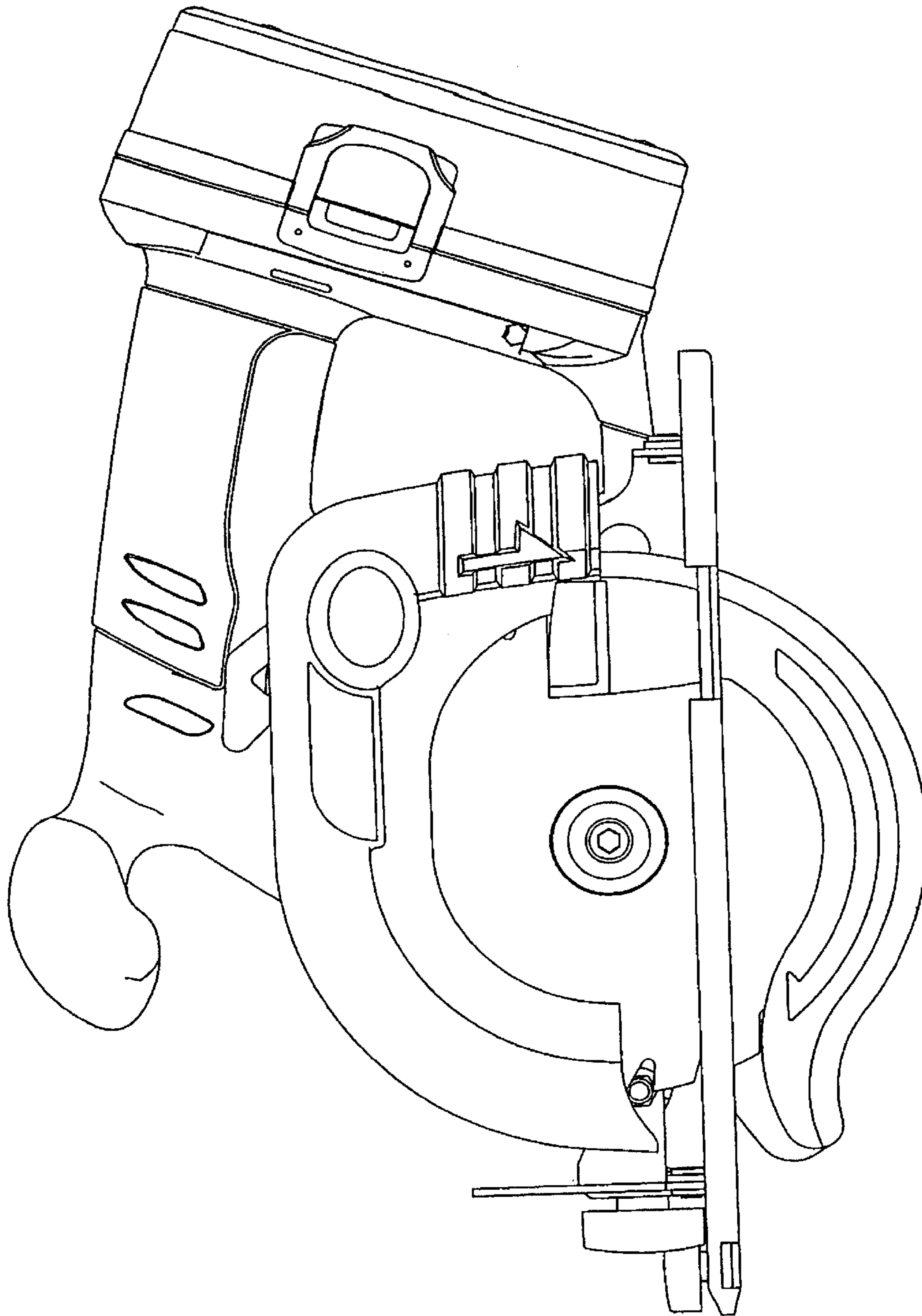


FIG. 9

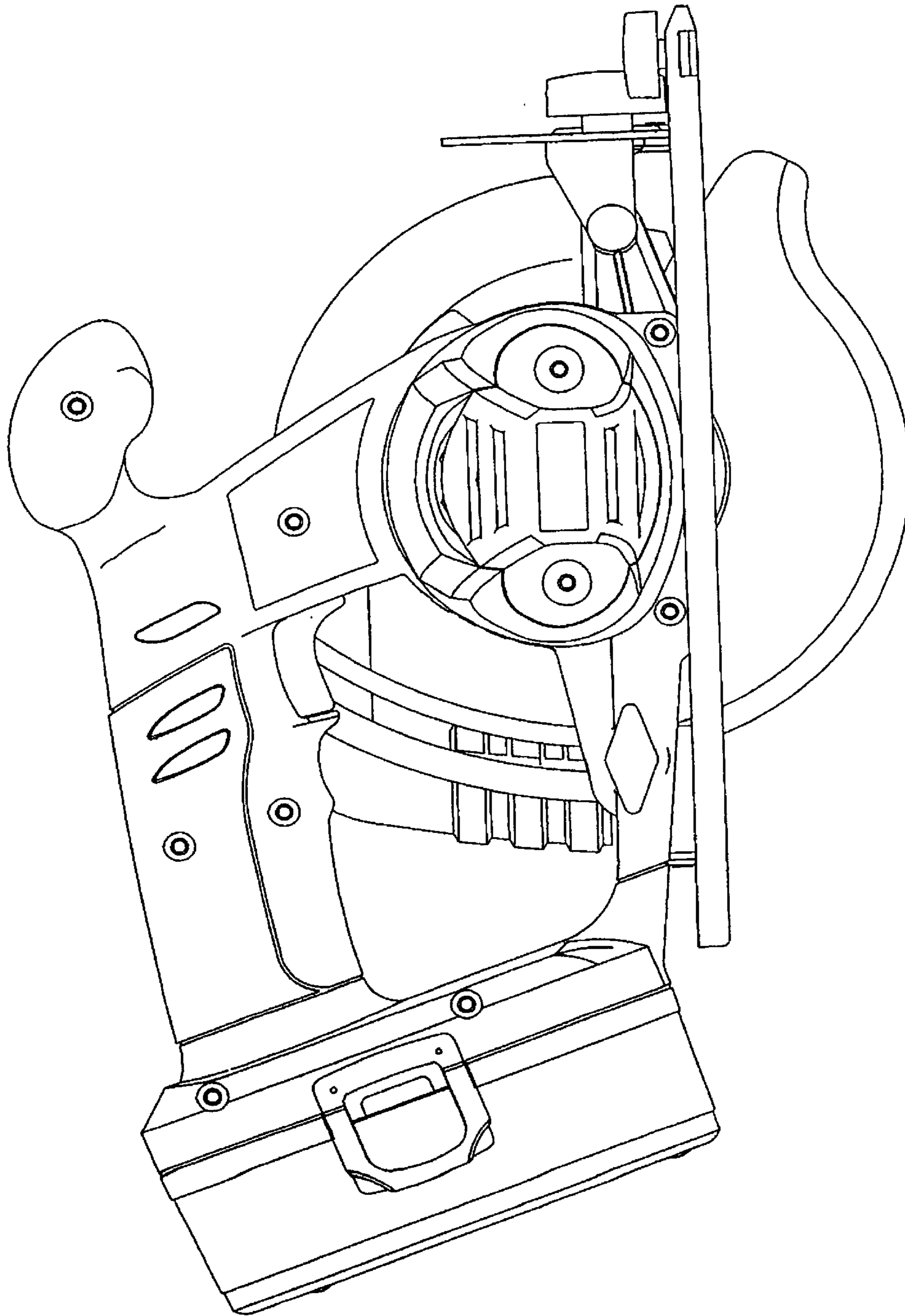


FIG. 10

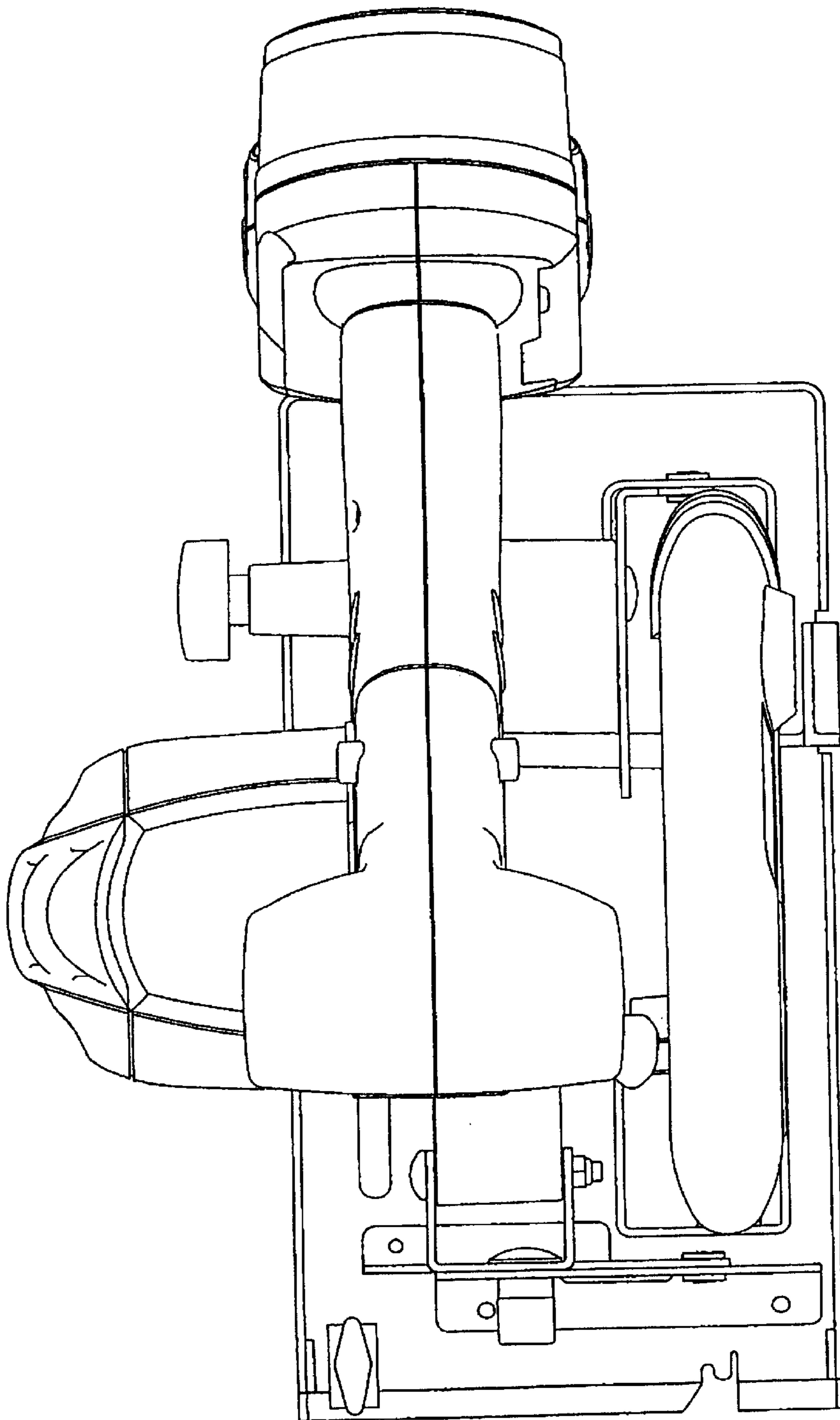


FIG. 11

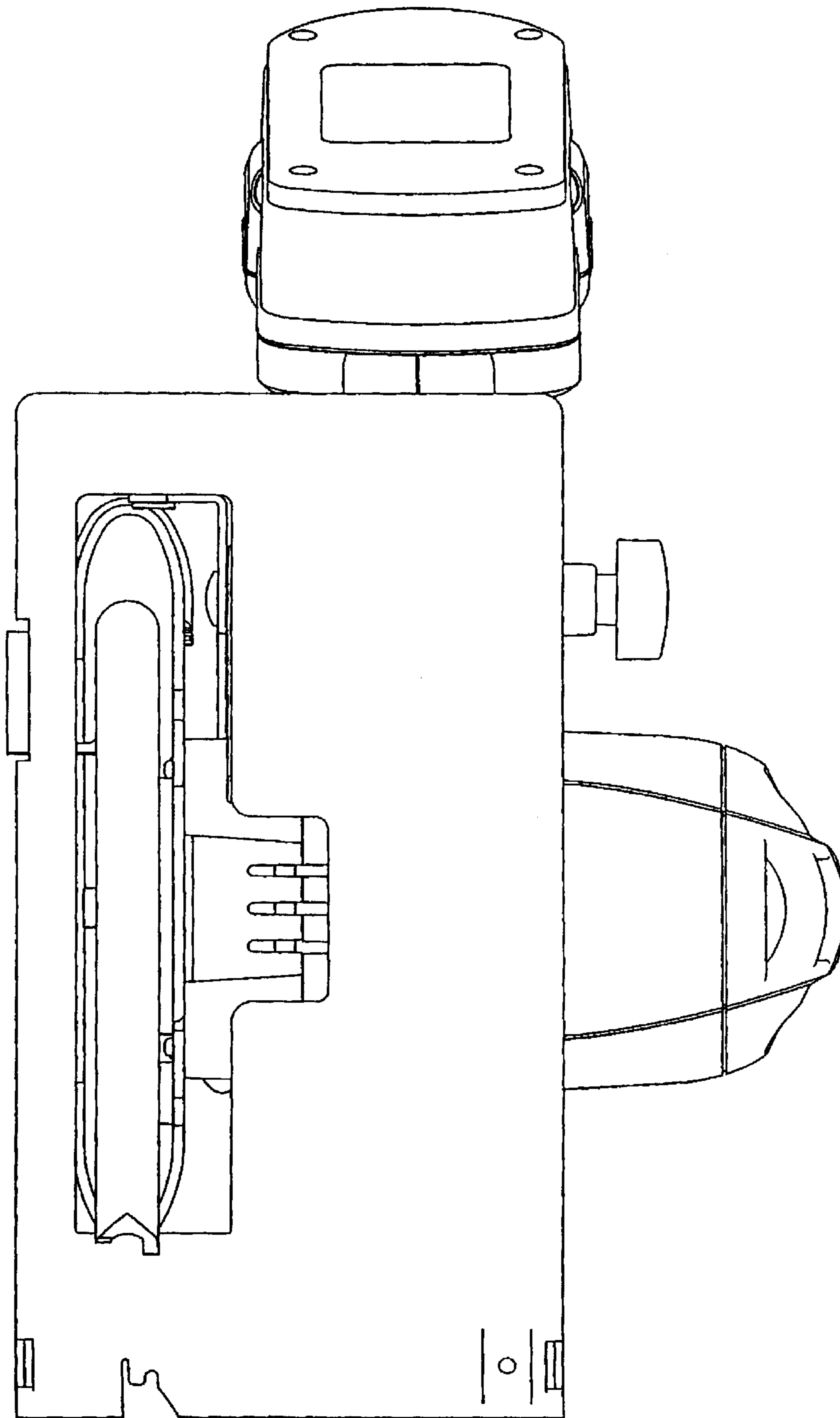


FIG. 12

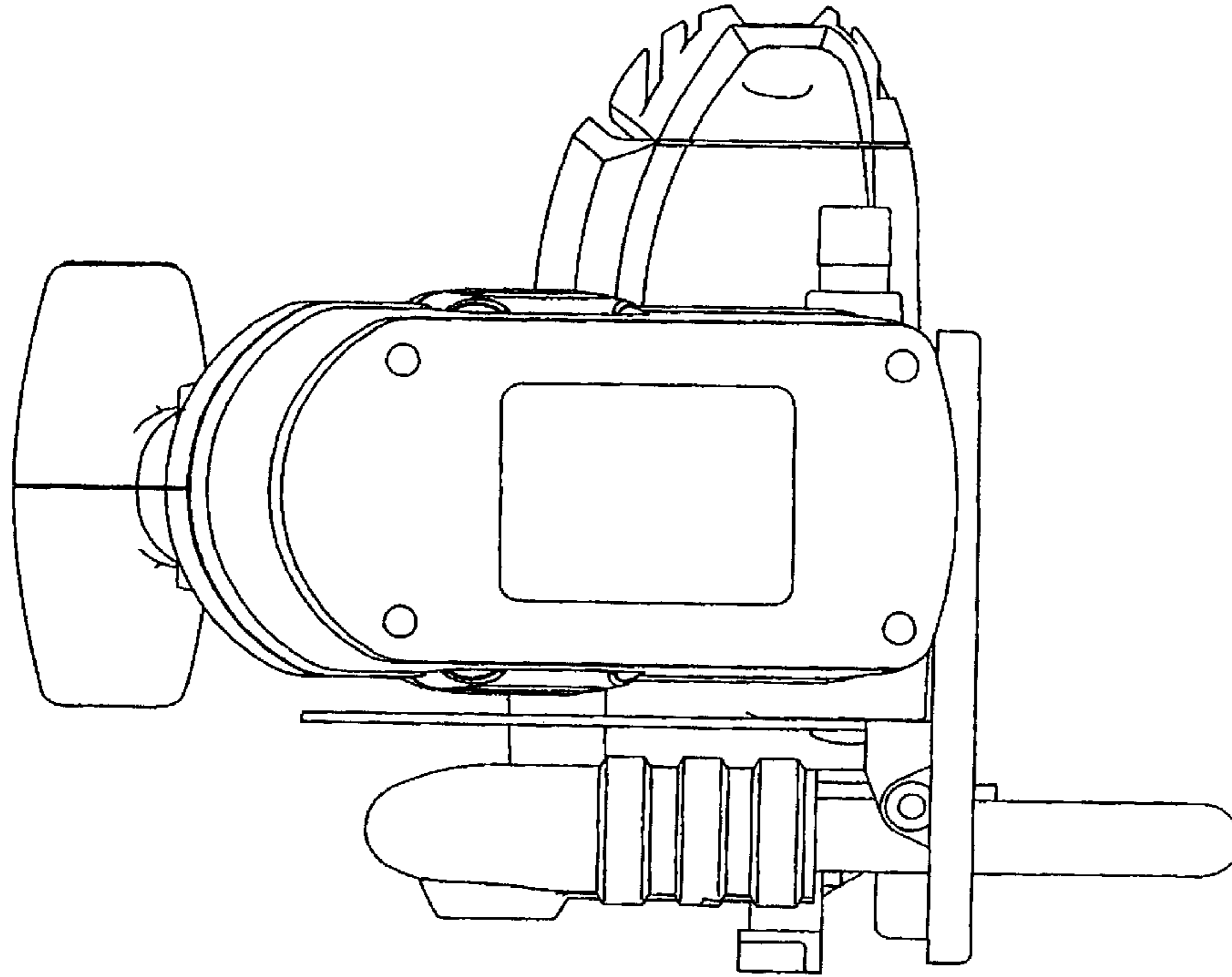


FIG. 14

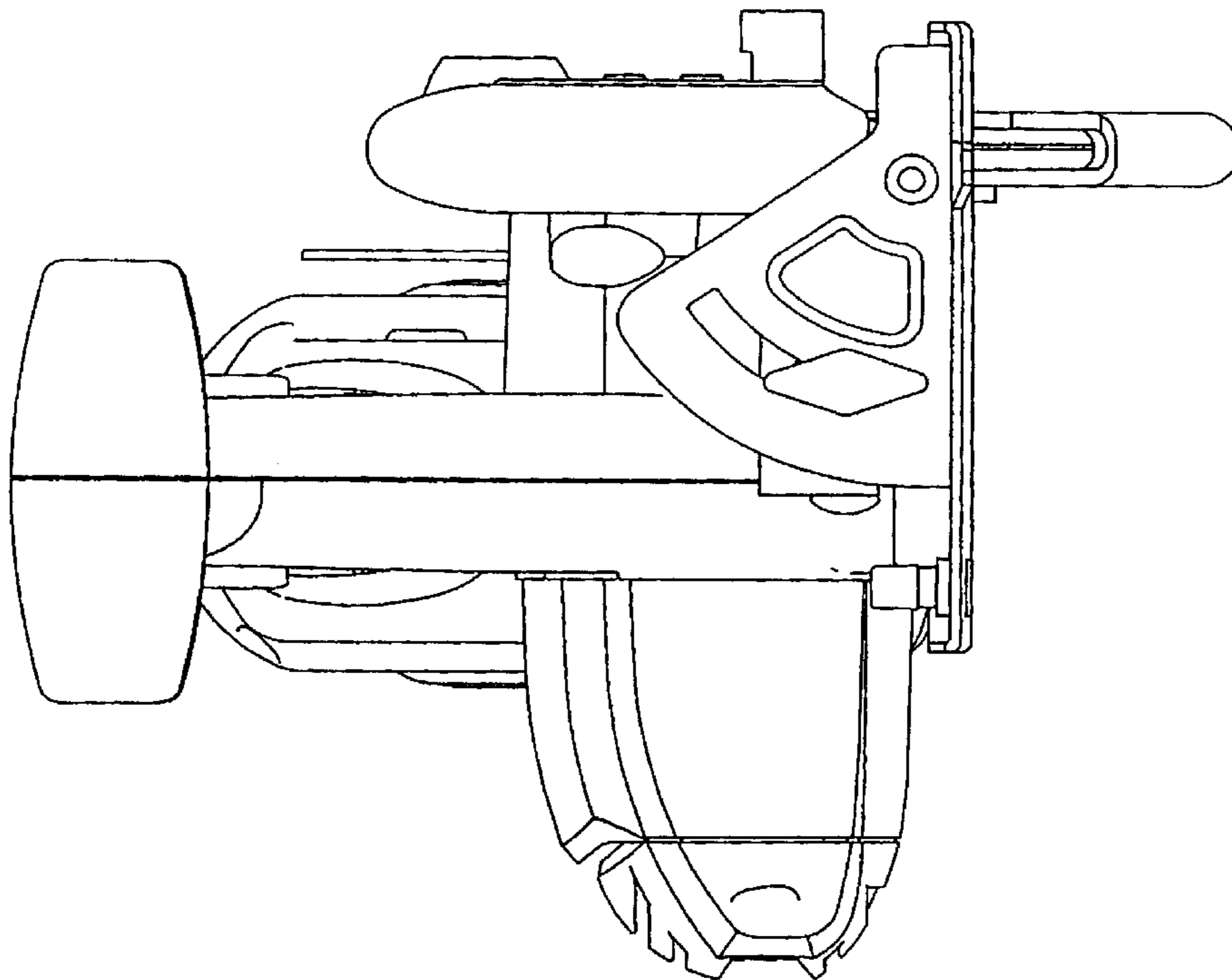


FIG. 13