



US00D527598S

(12) **United States Design Patent**
Netzler

(10) **Patent No.:** **US D527,598 S**

(45) **Date of Patent:** **** Sep. 5, 2006**

(54) **JIGSAW**

(75) Inventor: **Sion Netzler**, Newton Aycliffe (GB)

(73) Assignee: **Black & Decker Inc.**, Newark, DE (US)

(**) Term: **14 Years**

(21) Appl. No.: **29/242,919**

(22) Filed: **Nov. 16, 2005**

(30) **Foreign Application Priority Data**

May 17, 2005 (EM) 000340989-00

(51) **LOC (8) Cl.** **08-03**

(52) **U.S. Cl.** **D8/64**

(58) **Field of Classification Search** D8/69,
D8/68, 67, 66, 64, 61; 83/747, 699.21; 310/50;
30/394, 393, 392, 391, 390, 377, 376; 173/217,
173/216

See application file for complete search history.

(56) **References Cited**

U.S. PATENT DOCUMENTS

D178,426 S * 7/1956 Riley D8/64

D192,134 S * 1/1962 Johnson D8/64
D277,451 S * 2/1985 Barnik D8/64
6,467,177 B1 * 10/2002 Eichberger 30/392
D468,983 S * 1/2003 Kondo et al. D8/64
D485,147 S * 1/2004 Yamada et al. D8/64
6,892,459 B1 * 5/2005 Okumura et al. 30/123.3

* cited by examiner

Primary Examiner—Cathron C. Brooks

Assistant Examiner—Austin Murphy

(74) *Attorney, Agent, or Firm*—Michael P. Leary; Charles E. Yocum; Adan Auala

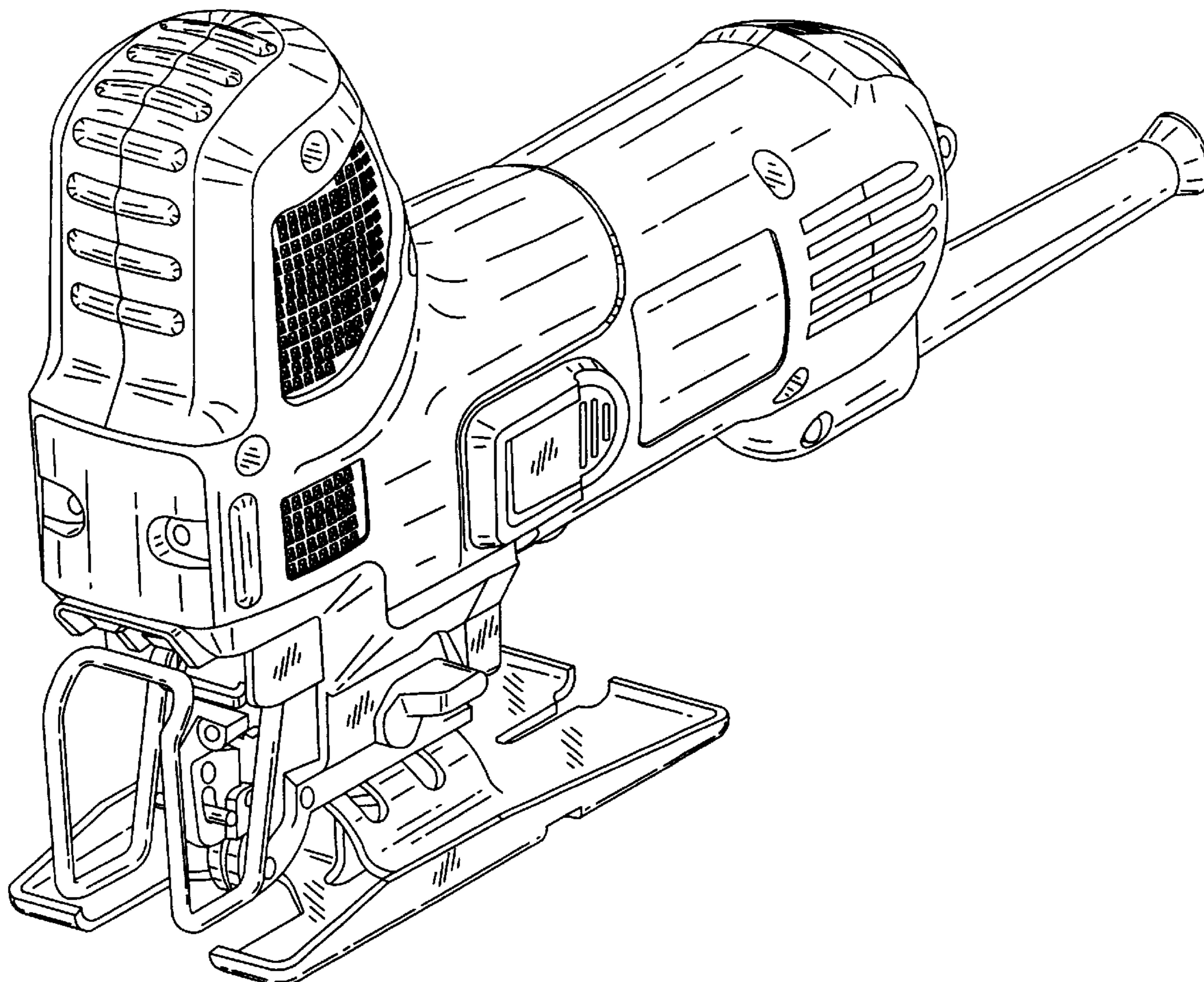
(57) **CLAIM**

The ornamental design for a jigsaw, as shown and described.

DESCRIPTION

FIG. 1 is a left/front perspective view of a jigsaw.
FIG. 2 is a left side elevational view thereof.
FIG. 3 is a right side elevational view thereof.
FIG. 4 is a top view thereof.
FIG. 5 is a bottom view thereof.
FIG. 6 is a front elevational view thereof; and,
FIG. 7 is a rear elevational view thereof.

1 Claim, 5 Drawing Sheets



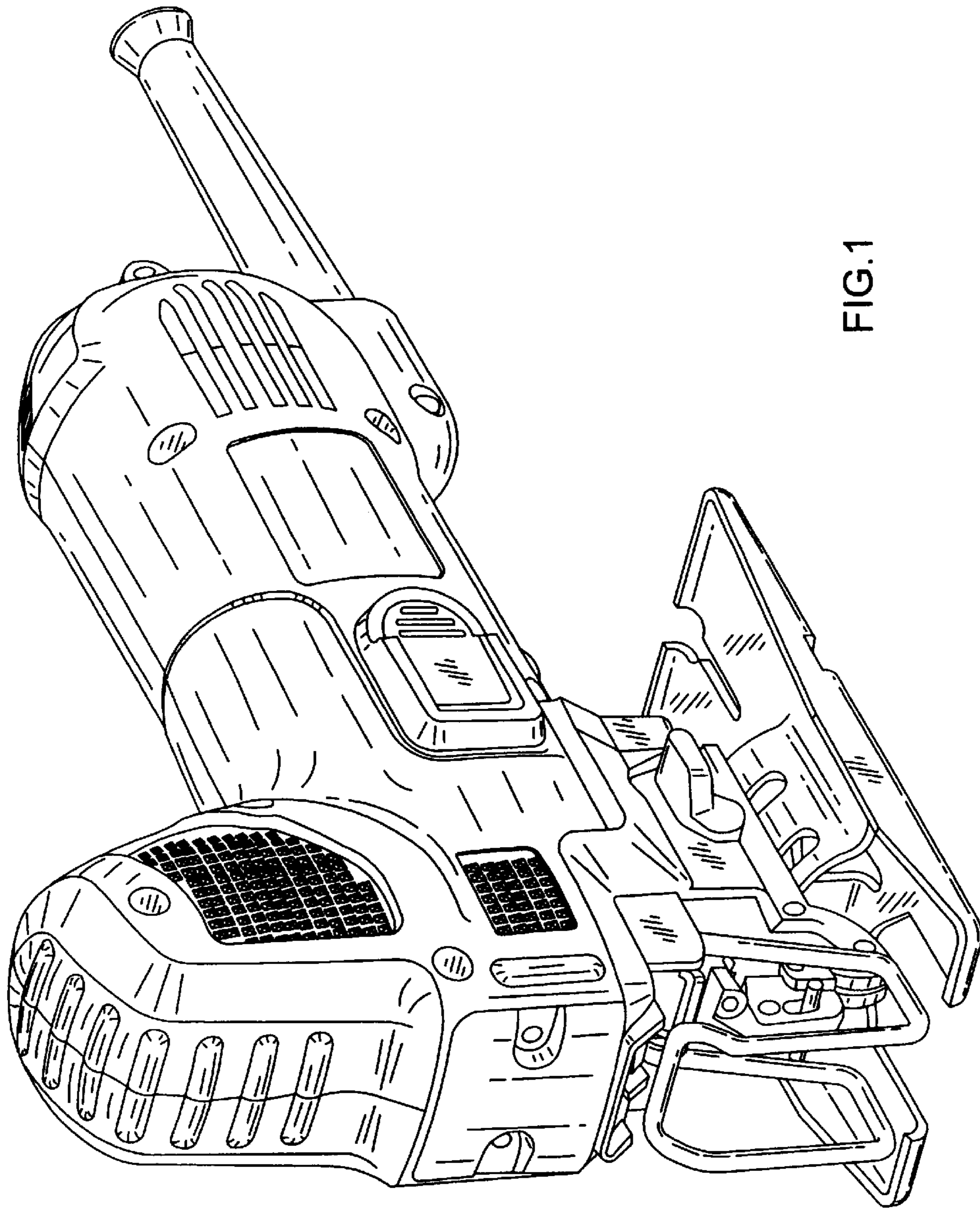


FIG.1

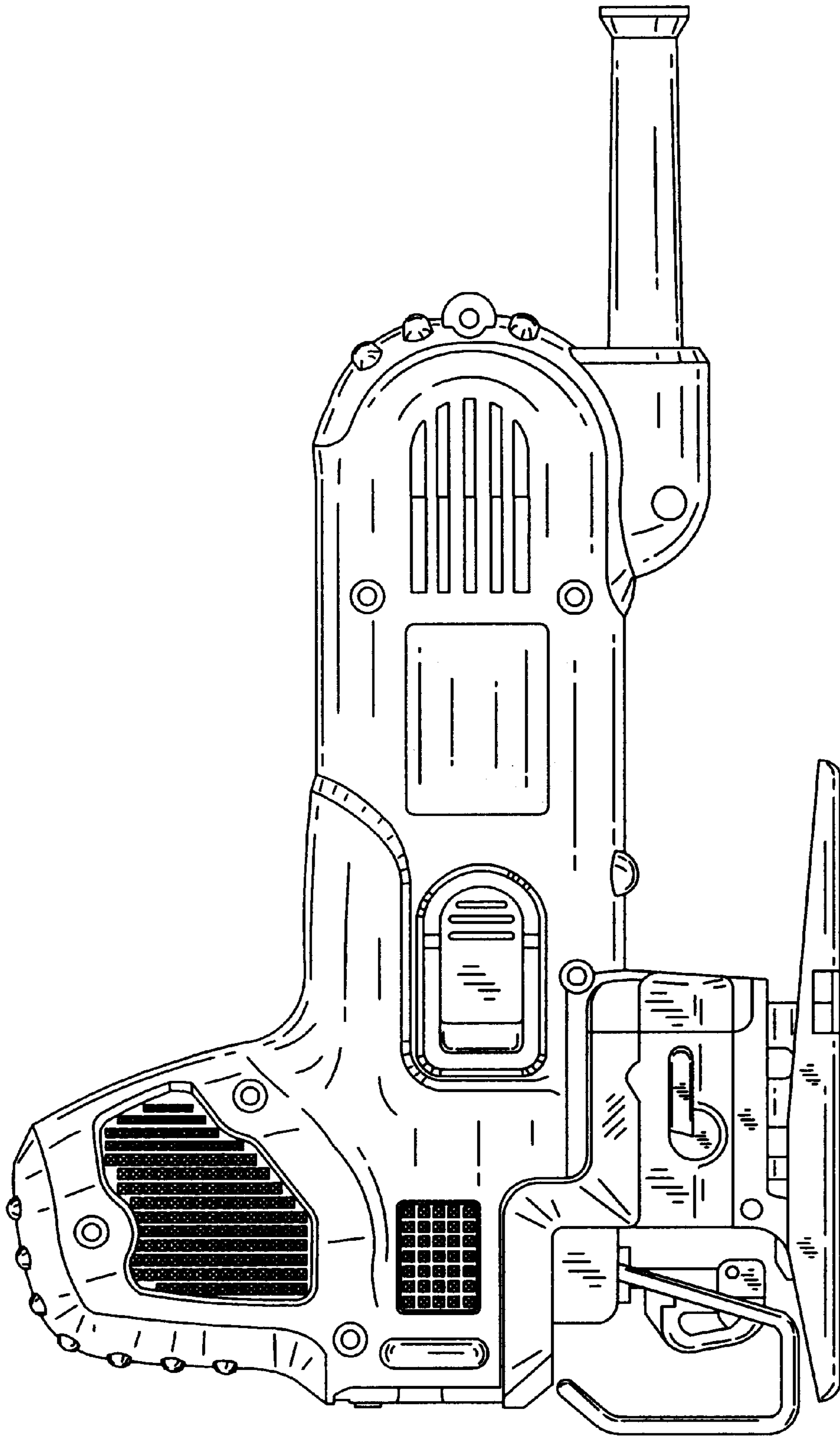


FIG.2

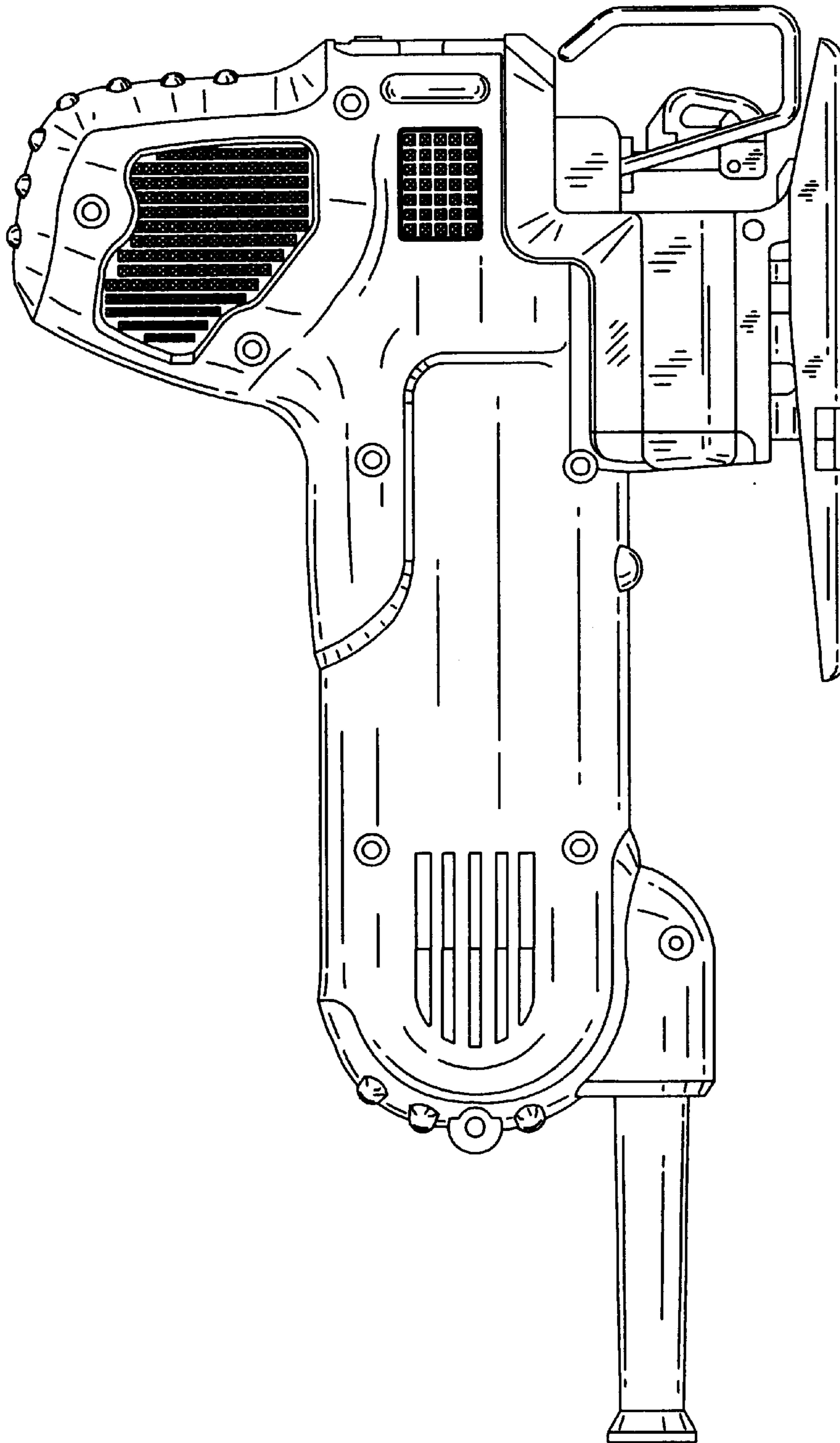


FIG.3

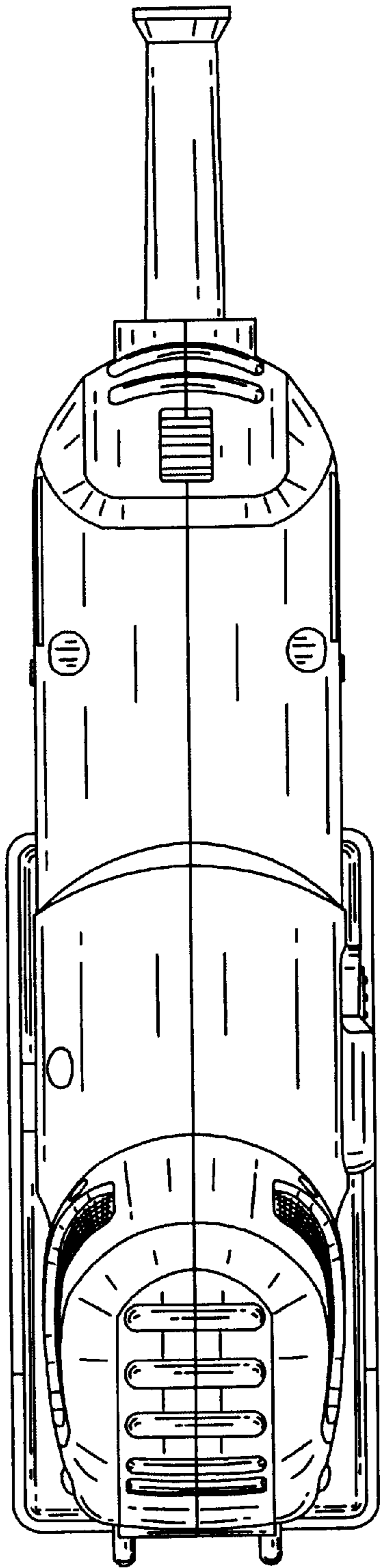


FIG. 4

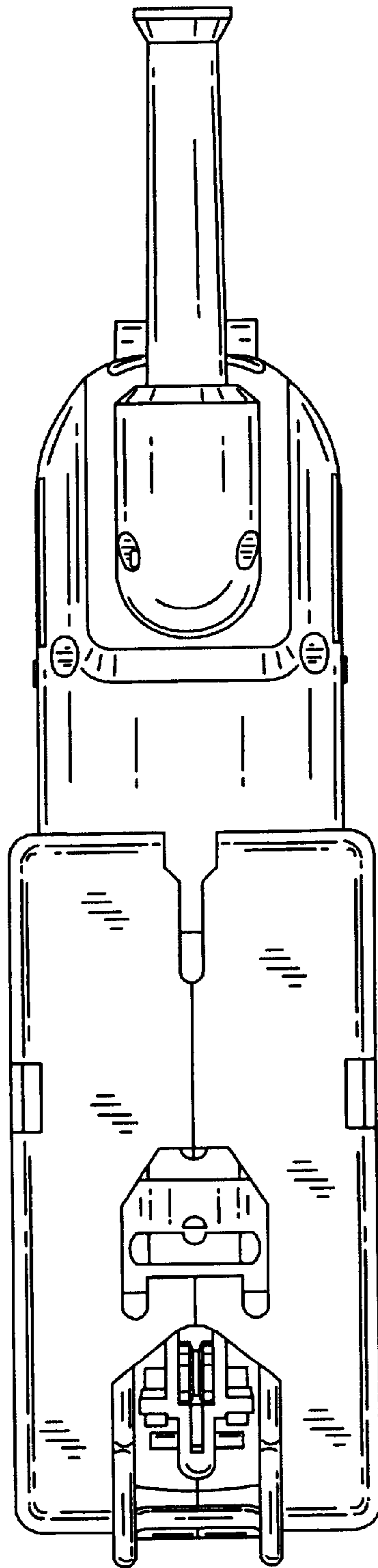


FIG. 5

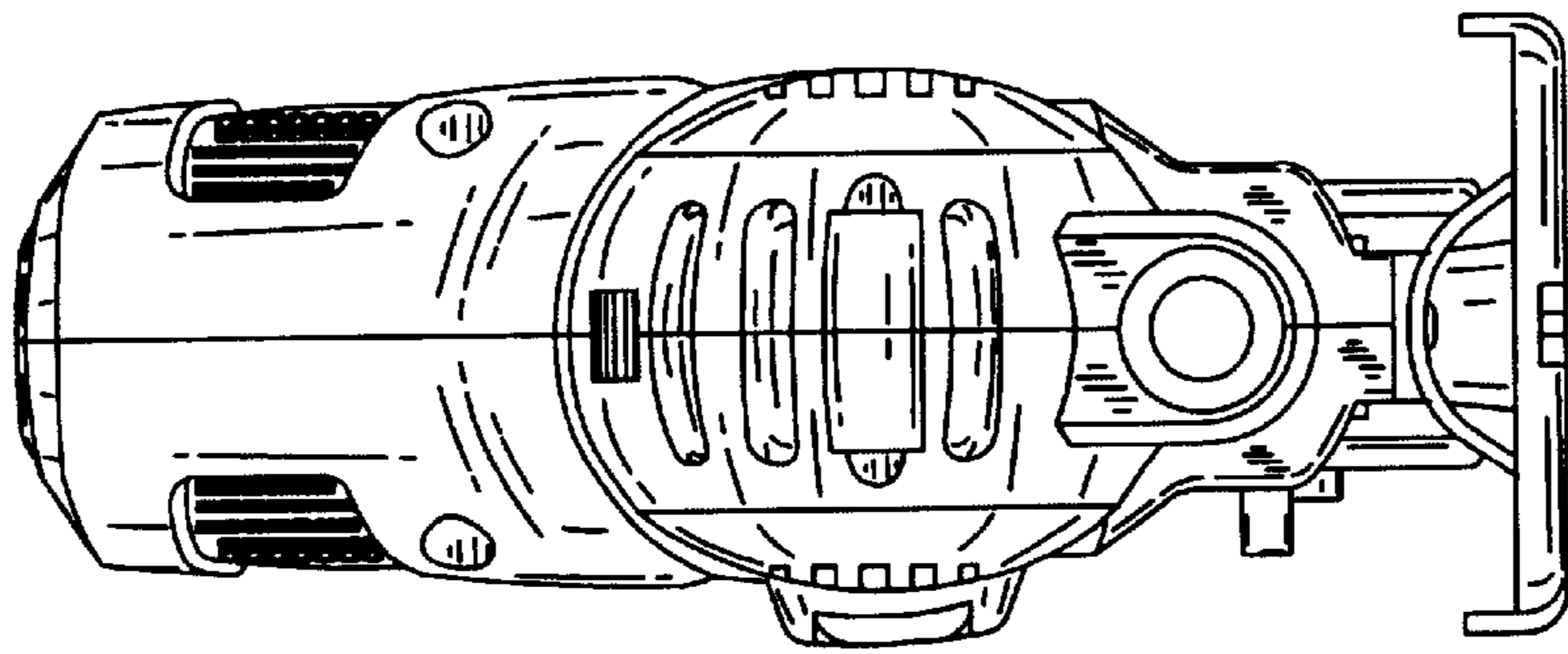


FIG.7

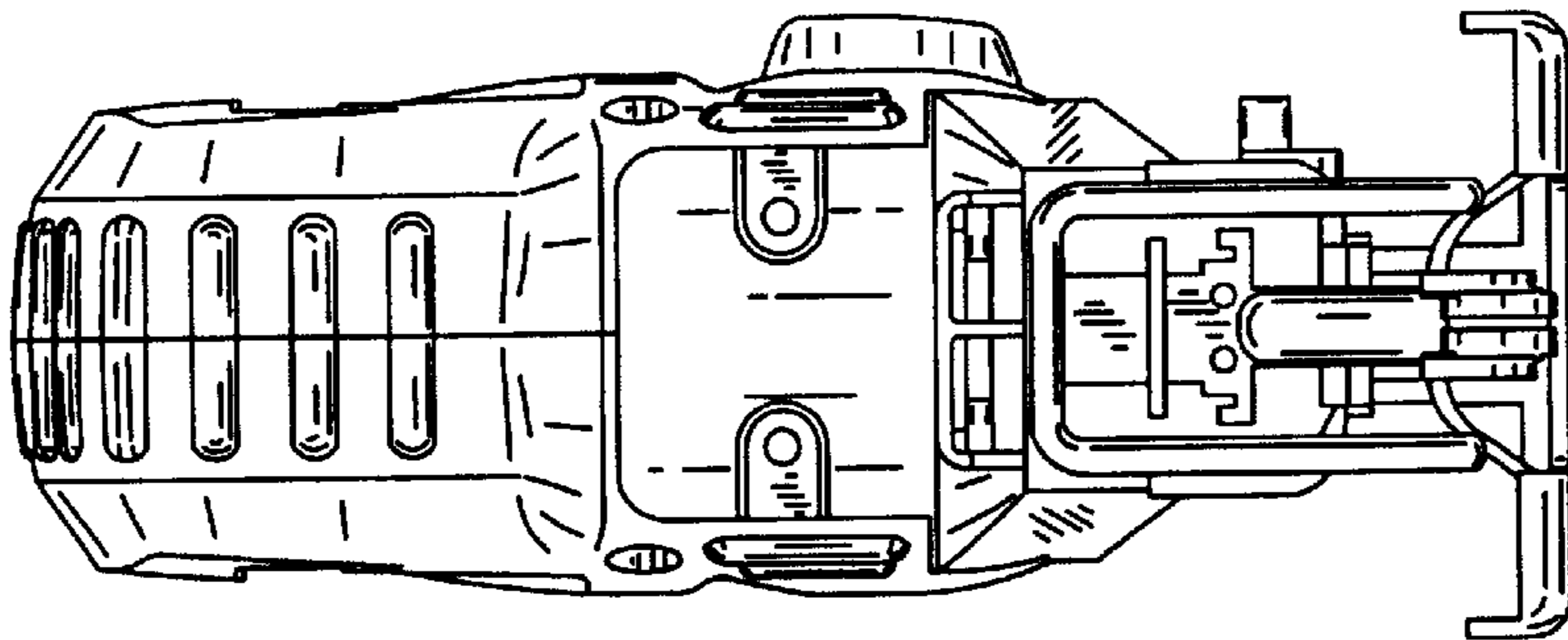


FIG.6