

US00D527597S

(12) **United States Design Patent**
Andriolo

(10) **Patent No.:** **US D527,597 S**

(45) **Date of Patent:** **** Sep. 5, 2006**

(54) **RECIPROCATING SAW**

(75) Inventor: **Paolo Andriolo**, Suzhou (CN)

(73) Assignee: **Positec Power Tools (Suzhou) Co., Ltd.**, Suzhou (CN)

(**) Term: **14 Years**

(21) Appl. No.: **29/205,574**

(22) Filed: **May 17, 2004**

(51) **LOC (8) Cl.** **08-03**

(52) **U.S. Cl.** **D8/64**

(58) **Field of Classification Search** D8/69,
D8/68, 67, 66, 65, 64, 62, 61; 30/92, 394,
30/393, 392, 377, 376, 371; 74/50, 49; 173/217,
173/216; 83/699.21; 446/145
See application file for complete search history.

(56) **References Cited**

U.S. PATENT DOCUMENTS

5,007,172	A	*	4/1991	Palm	30/377
5,598,636	A	*	2/1997	Stolzer	30/394
5,794,352	A	*	8/1998	Dassoulas	30/392
5,855,070	A	*	1/1999	Grabowski	30/376
D408,699	S	*	4/1999	Zurwelle	D8/64
6,282,797	B1	*	9/2001	Osada et al.	30/392
6,357,125	B1	*	3/2002	Feldmann et al.	30/392
D468,982	S	*	1/2003	Brazell et al.	D8/64
D479,453	S	*	9/2003	Lind et al.	D8/64
D504,603	S	*	5/2005	Xiaoxian	D8/64
D506,117	S	*	6/2005	Sun et al.	D8/64

6,912,790	B1	*	7/2005	James et al.	30/392
2001/0011420	A1	*	8/2001	Osada	30/392
2002/0138991	A1	*	10/2002	Tachibana et al.	30/392
2002/0144411	A1	*	10/2002	Brooks	30/392
2003/0110645	A1	*	6/2003	Phillips et al.	30/392
2003/0163924	A1	*	9/2003	Hempe et al.	30/388
2004/0148789	A1	*	8/2004	Gist et al.	30/392
2004/0149553	A1	*	8/2004	Duffek et al.	200/61.58 R
2005/0039340	A1	*	2/2005	Bigden et al.	30/392
2005/0092156	A1	*	5/2005	Michel et al.	83/698.11
2005/0126018	A1	*	6/2005	Haas	30/394
2005/0183271	A1	*	8/2005	Sugiura et al.	30/392
2005/0262710	A1	*	12/2005	Moreno	30/394

* cited by examiner

Primary Examiner—Cathron C. Brooks

Assistant Examiner—Austin Murphy

(74) *Attorney, Agent, or Firm*—Madson & Austin

(57) **CLAIM**

The ornamental design for a reciprocating saw, as shown.

DESCRIPTION

FIG. 1 is a perspective view of the reciprocating saw showing my new design.

FIG. 2 is a front view thereof.

FIG. 3 is rear view thereof.

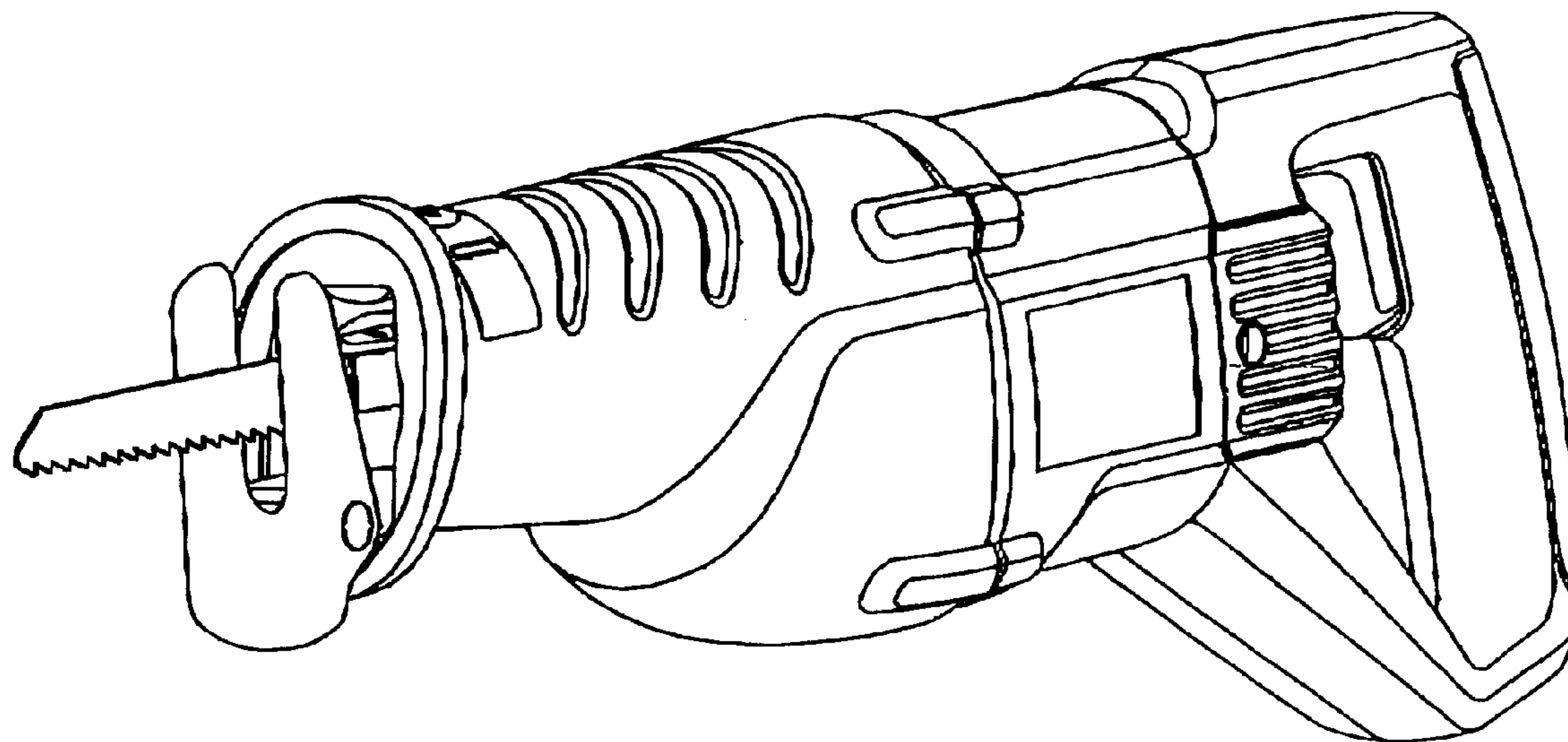
FIG. 4 is a right view thereof

FIG. 5 is a left view thereof

FIG. 6 is a top view thereof; and,

FIG. 7 is a bottom view thereof.

1 Claim, 6 Drawing Sheets



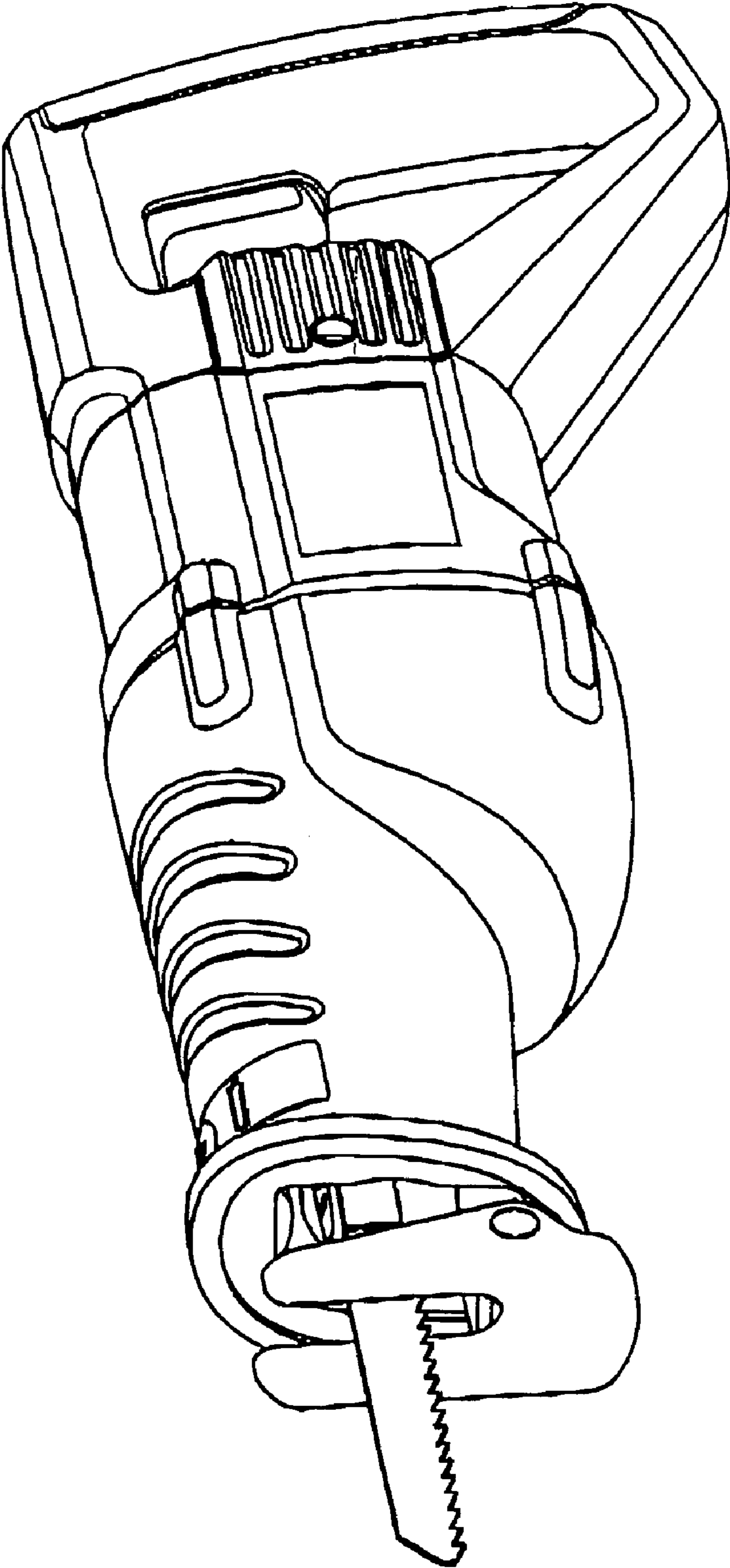


Figure 1

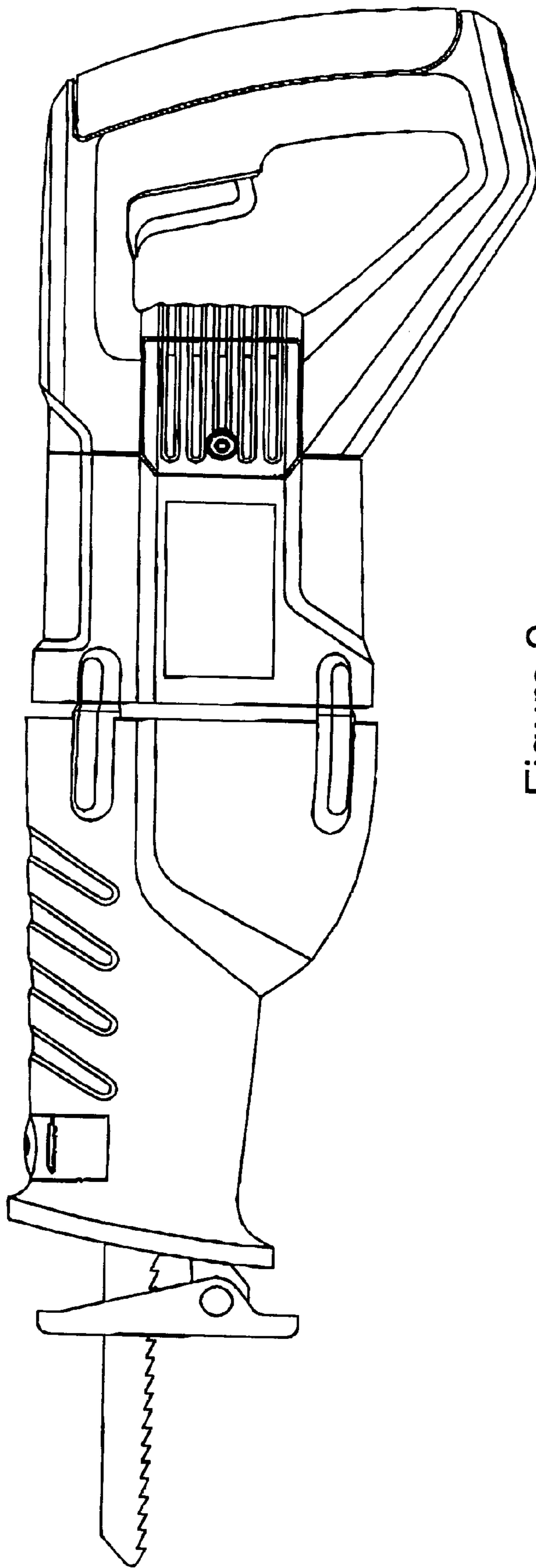


Figure 2

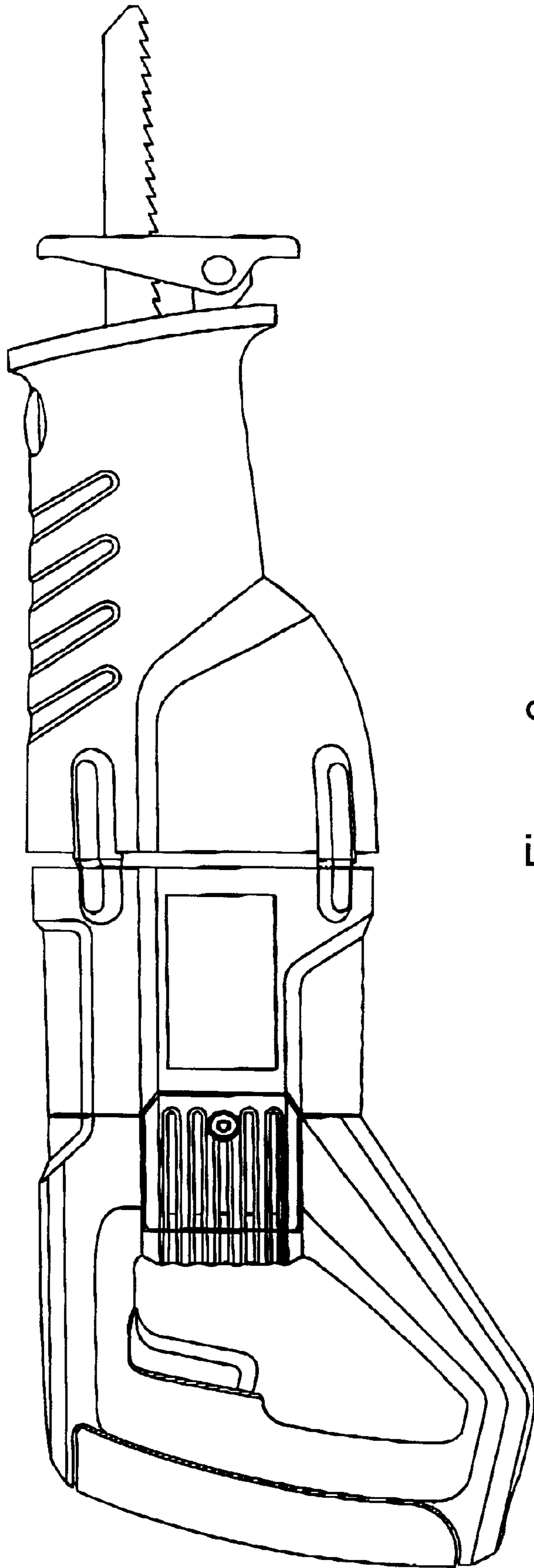


Figure 3

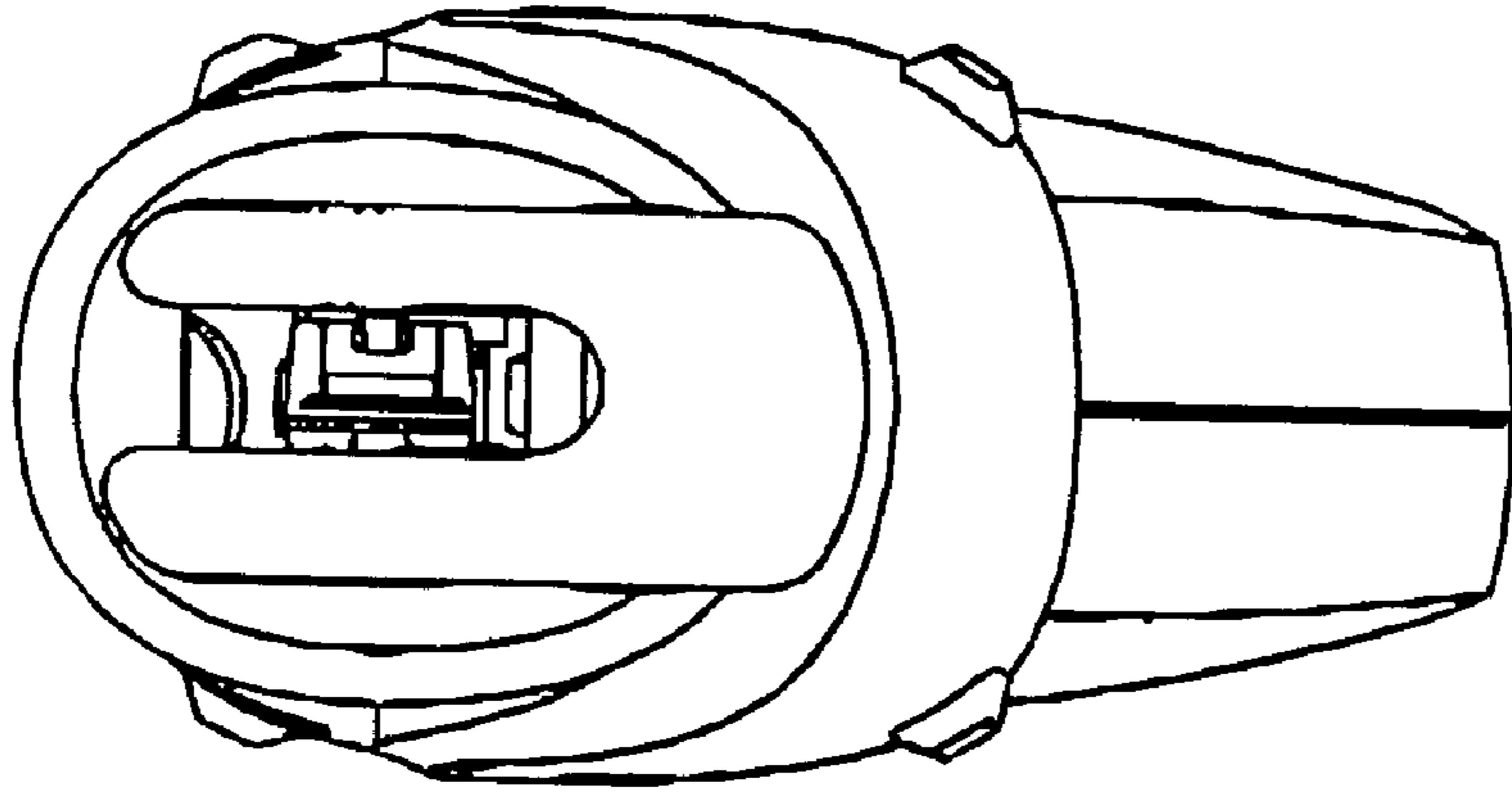


Figure 5

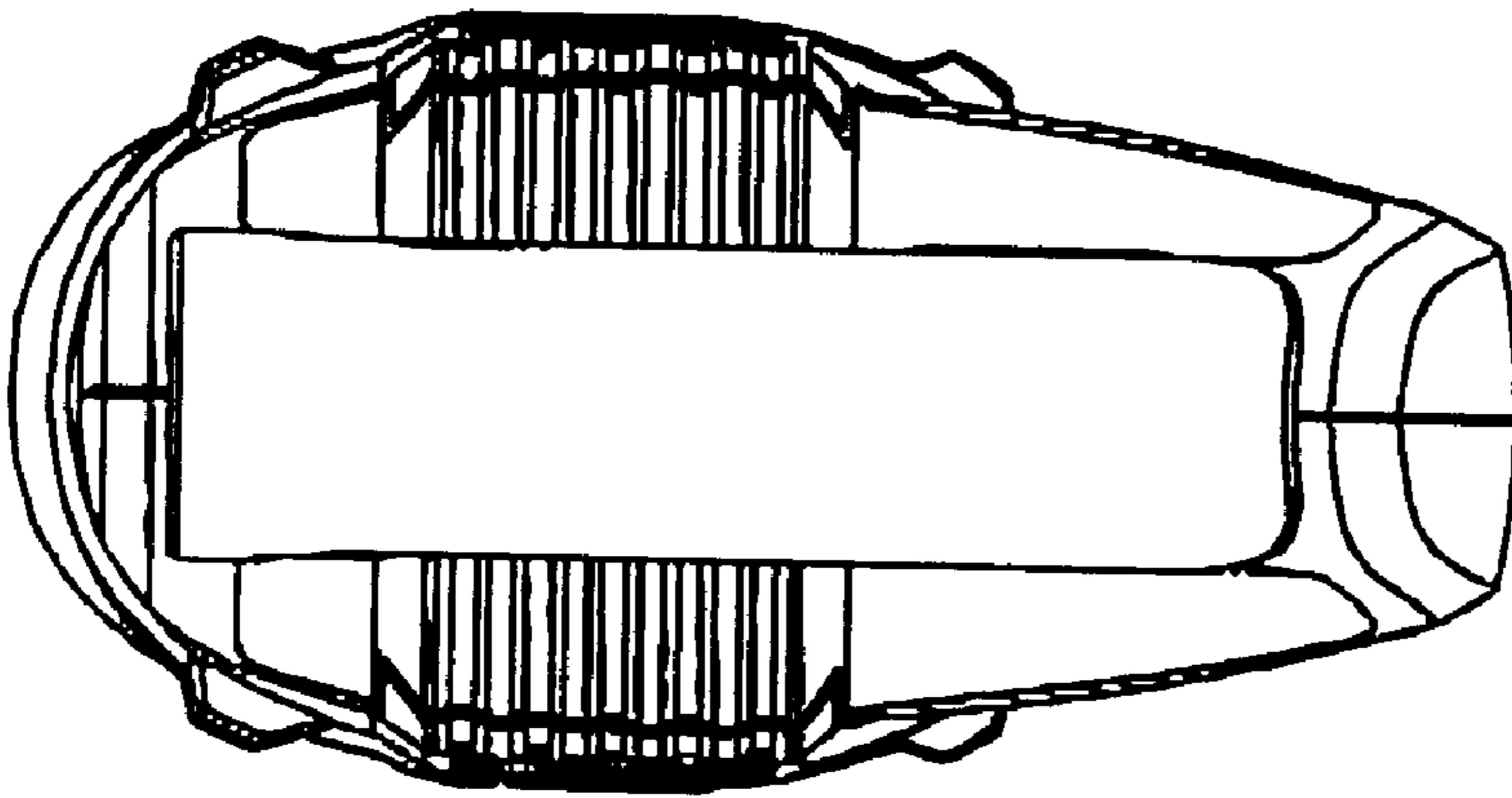


Figure 4

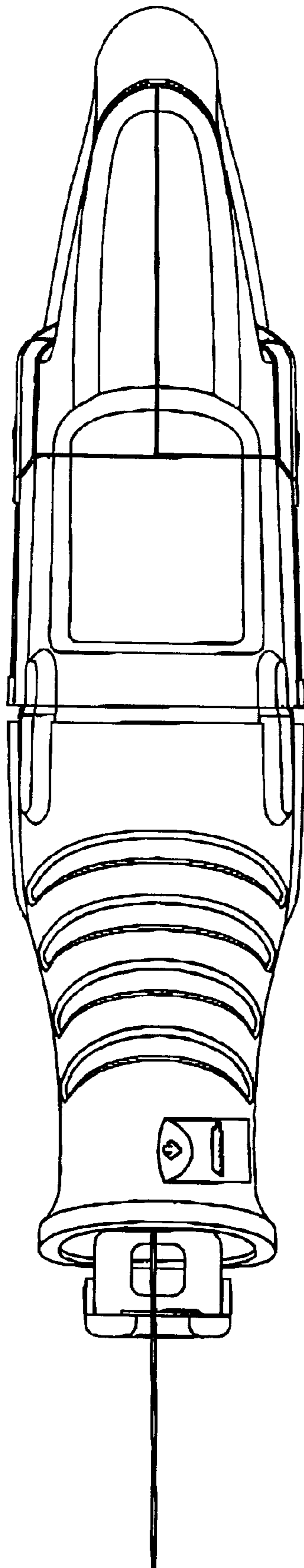


Figure 6

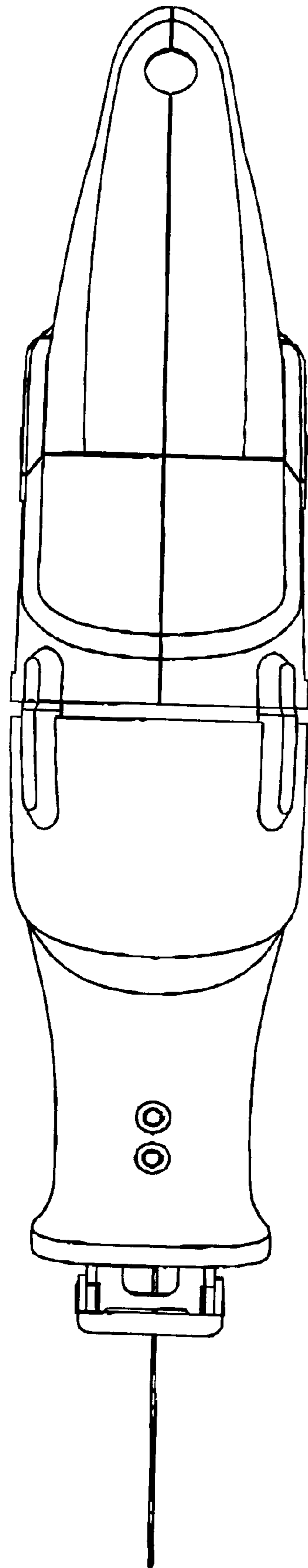


Figure 7