



US00D527595S

(12) **United States Design Patent**  
**Wikle**

(10) **Patent No.:** **US D527,595 S**

(45) **Date of Patent:** **\*\* Sep. 5, 2006**

(54) **ELECTRIC SANDER**

(75) Inventor: **David L. Wikle**, York, PA (US)

(73) Assignee: **Black & Decker Inc.**, Newark, DE (US)

(\*\*) Term: **14 Years**

(21) Appl. No.: **29/227,600**

(22) Filed: **Apr. 13, 2005**

(51) **LOC (8) Cl.** ..... **08-01**

(52) **U.S. Cl.** ..... **D8/62**

(58) **Field of Classification Search** ..... D8/67,  
D8/62, 61; D32/15, 17, 19; D4/102; 451/456,  
451/451, 359, 358, 357, 356, 355, 354, 353,  
451/351, 344

See application file for complete search history.

(56) **References Cited**

U.S. PATENT DOCUMENTS

D170,198 S	*	8/1953	Harris	.....	D32/19
D283,590 S	*	4/1986	Ibaraki	.....	D8/62
D332,734 S	*	1/1993	Fushiya et al.	.....	D4/102
D347,561 S	*	6/1994	Huber et al.	.....	D8/62
D354,425 S	*	1/1995	Izumisawa	.....	D8/62
D356,017 S	*	3/1995	Izumisawa	.....	D8/62

D386,376 S	*	11/1997	Kaneko et al.	.....	D8/62
D416,112 S	*	11/1999	Holliday et al.	.....	D32/19
D469,933 S	*	2/2003	Liang-Ming	.....	D32/15
D478,488 S	*	8/2003	Bruno et al.	.....	D8/62
2005/0170763 A1	*	8/2005	Sun et al.	.....	451/359
2005/0245182 A1	*	11/2005	Deshpande et al.	.....	451/357
2005/0245183 A1	*	11/2005	Deshpande et al.	.....	451/357

\* cited by examiner

*Primary Examiner*—Cathron C. Brooks

*Assistant Examiner*—Austin Murphy

(74) *Attorney, Agent, or Firm*—Michael P. Leary; Charles E. Yocum; Adan Ayala

(57) **CLAIM**

The ornamental design for an electric sander, as shown and described.

**DESCRIPTION**

FIG. 1 is a left/front perspective view of an electric sander showing my new design.

FIG. 2 is a front view thereof.

FIG. 3 is a rear view thereof.

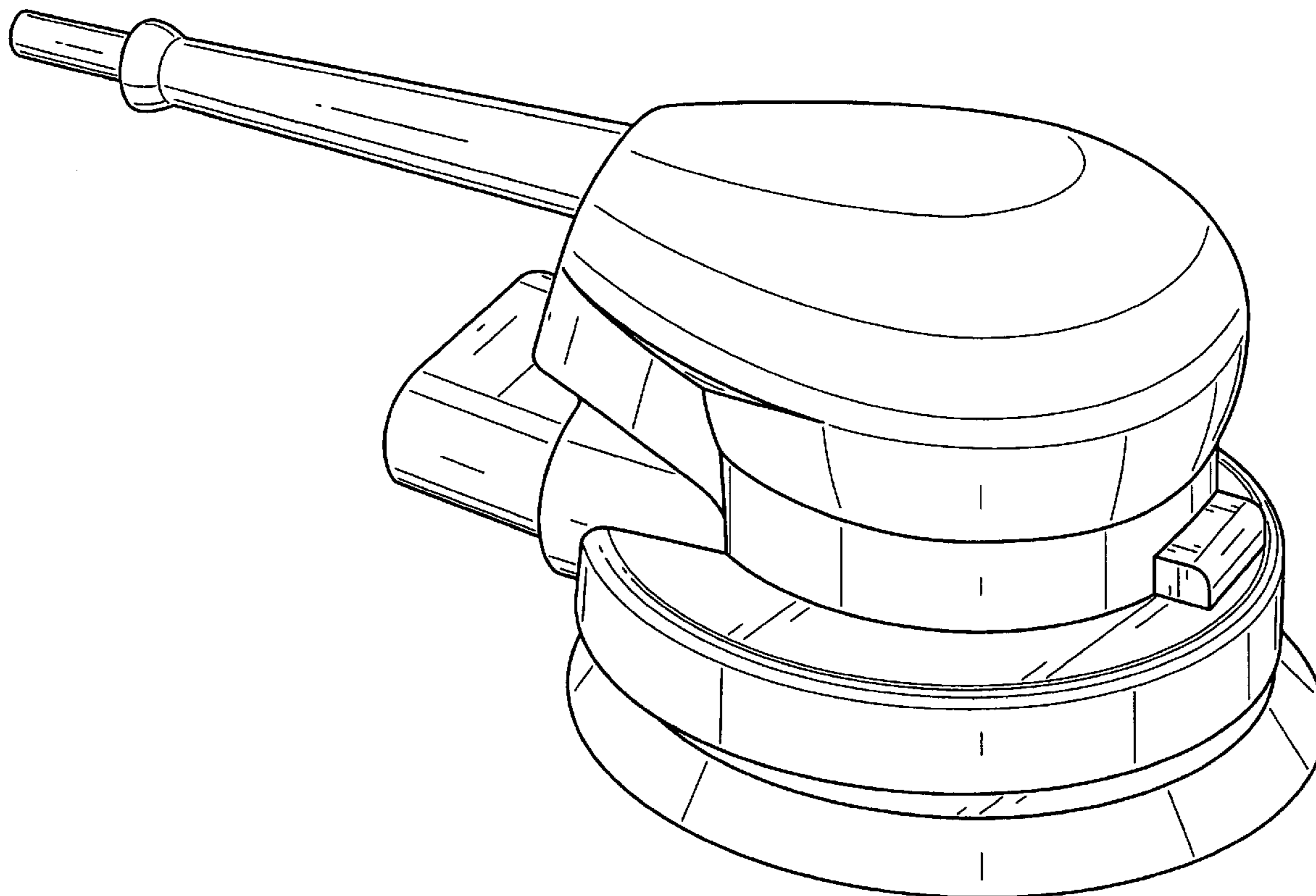
FIG. 4 is a right side view thereof.

FIG. 5 is a left side view thereof.

FIG. 6 is a top view thereof; and,

FIG. 7 is a bottom view thereof.

**1 Claim, 7 Drawing Sheets**



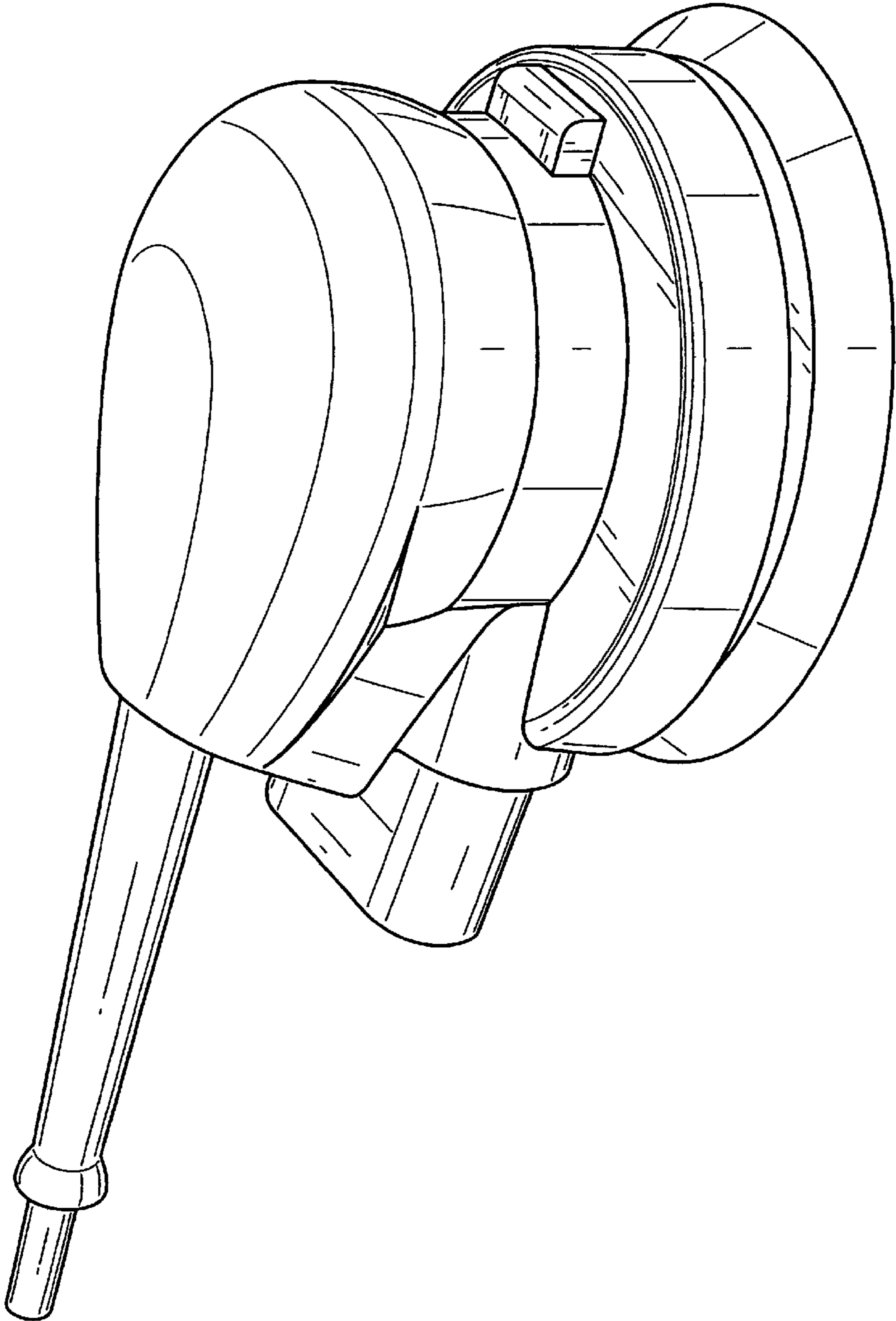


FIG. 1

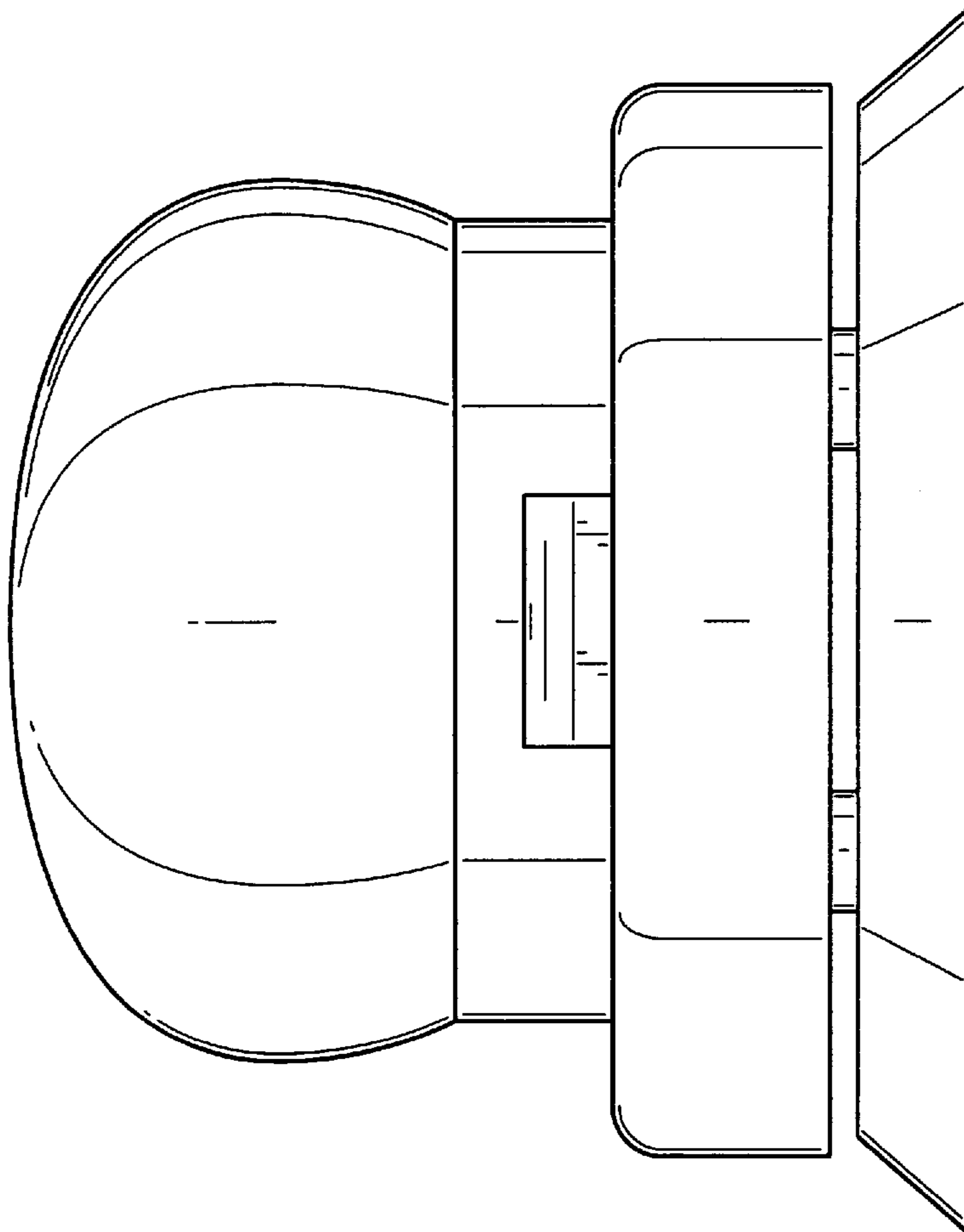


FIG. 2

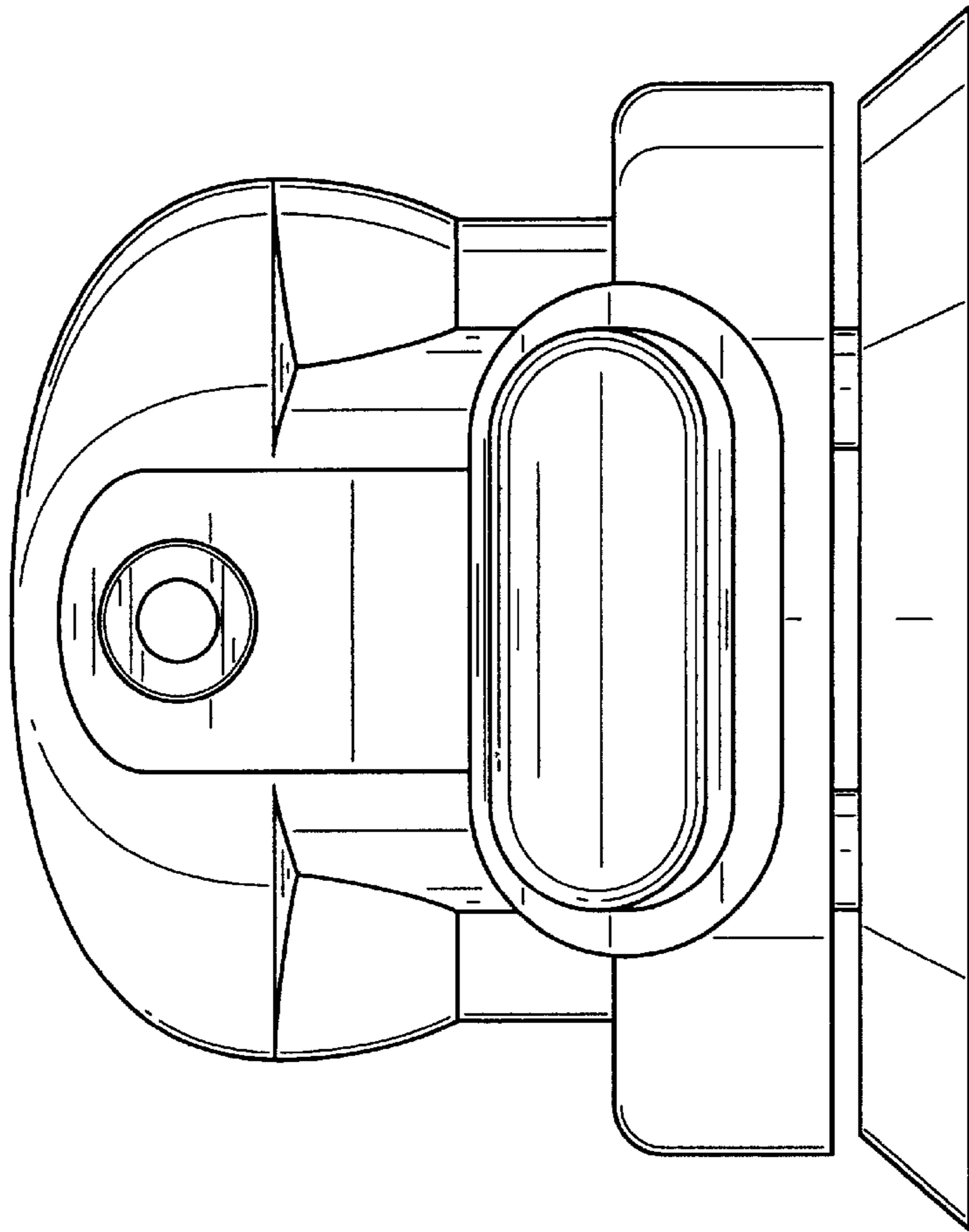


FIG. 3

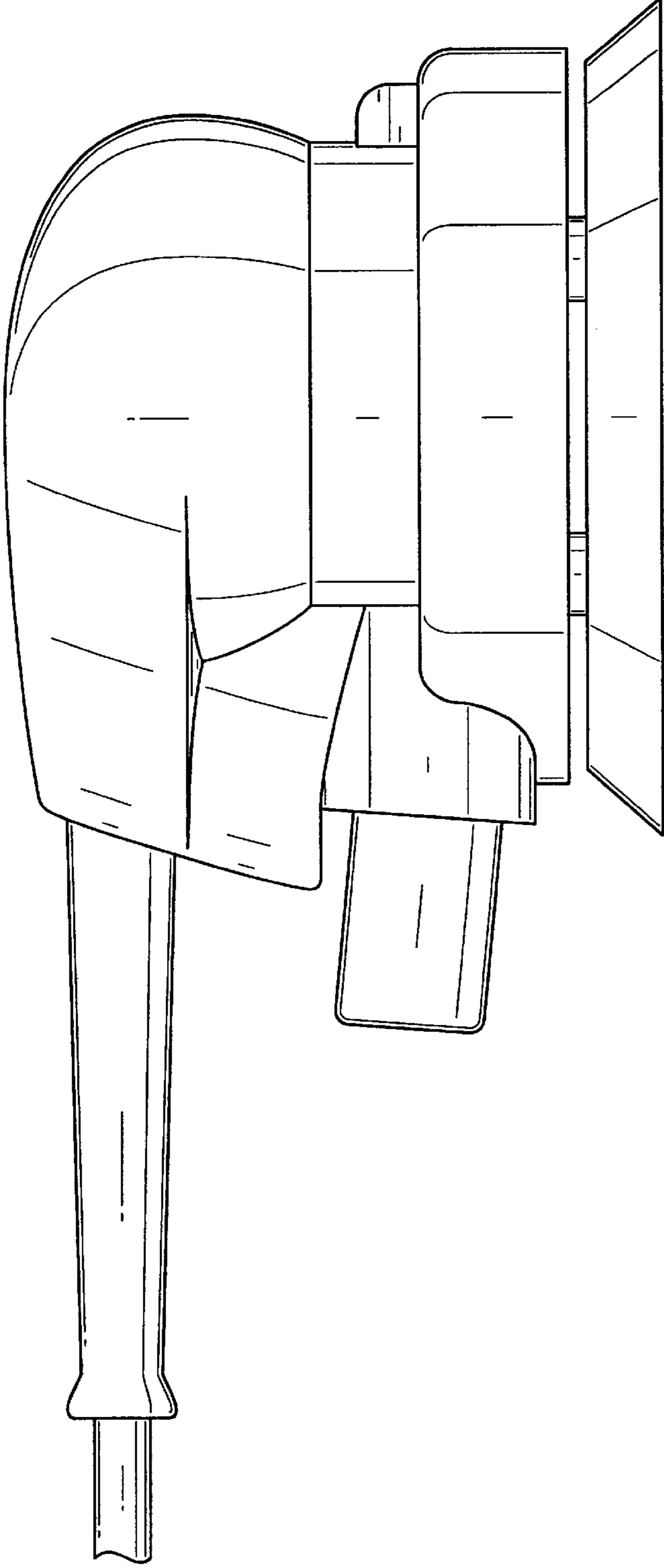


FIG. 4

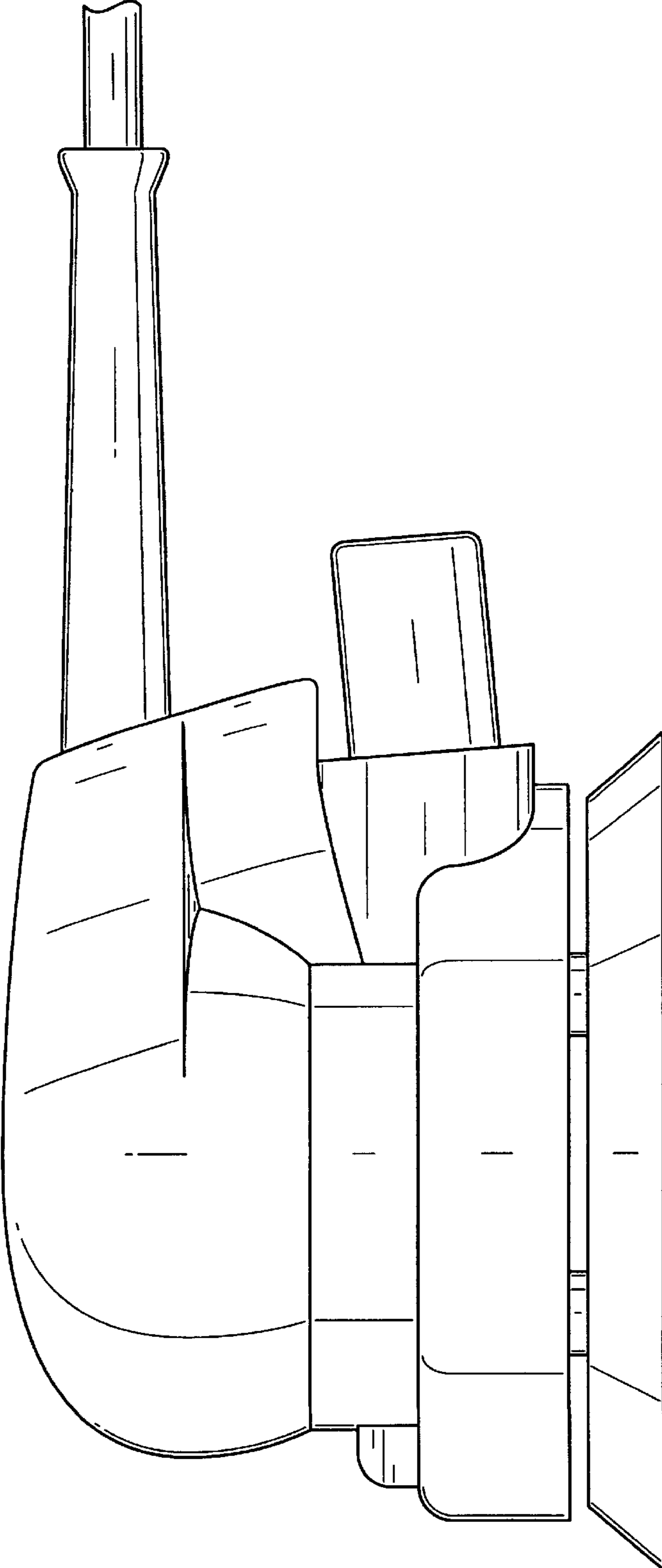


FIG. 5

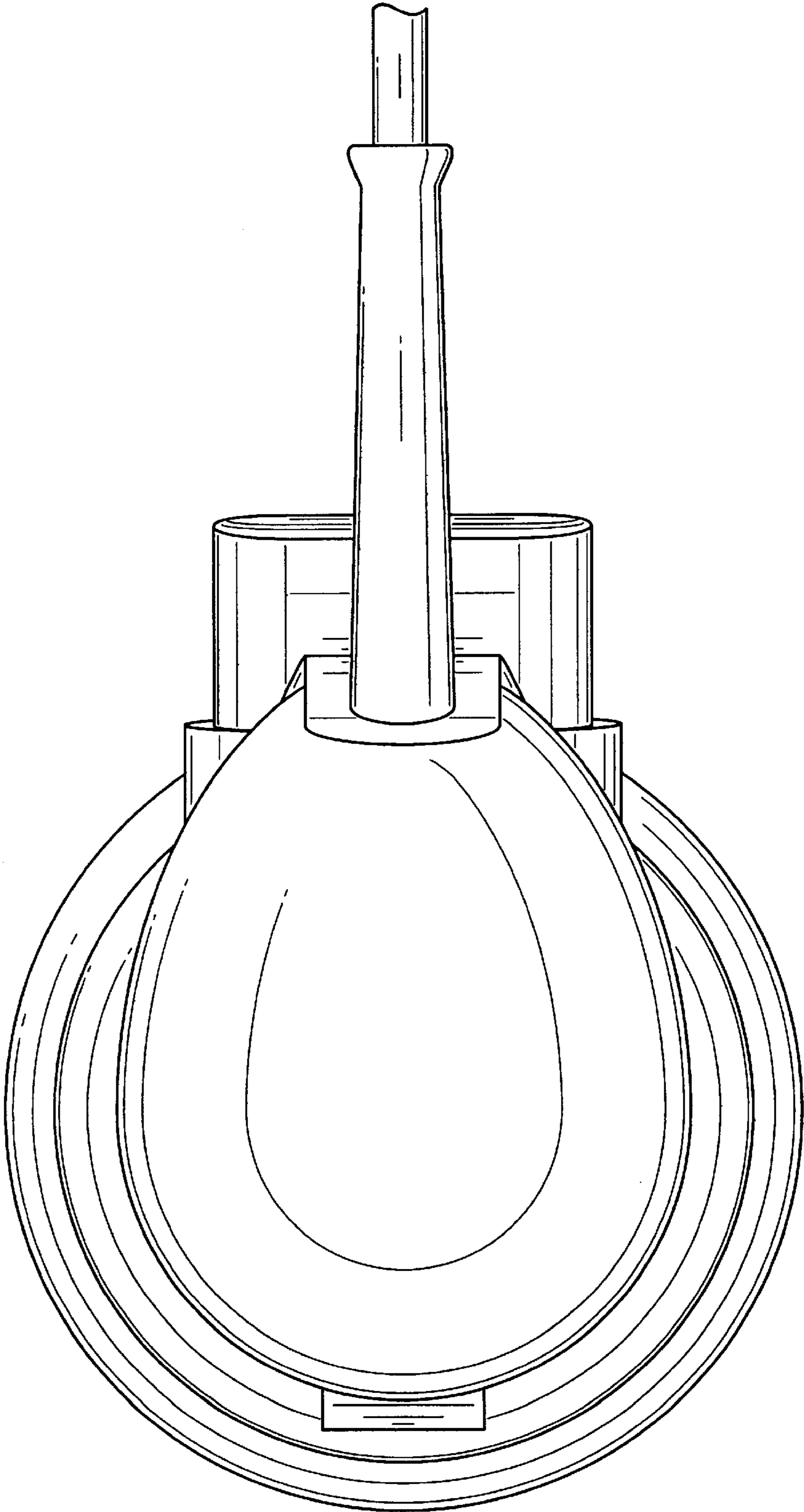


FIG. 6

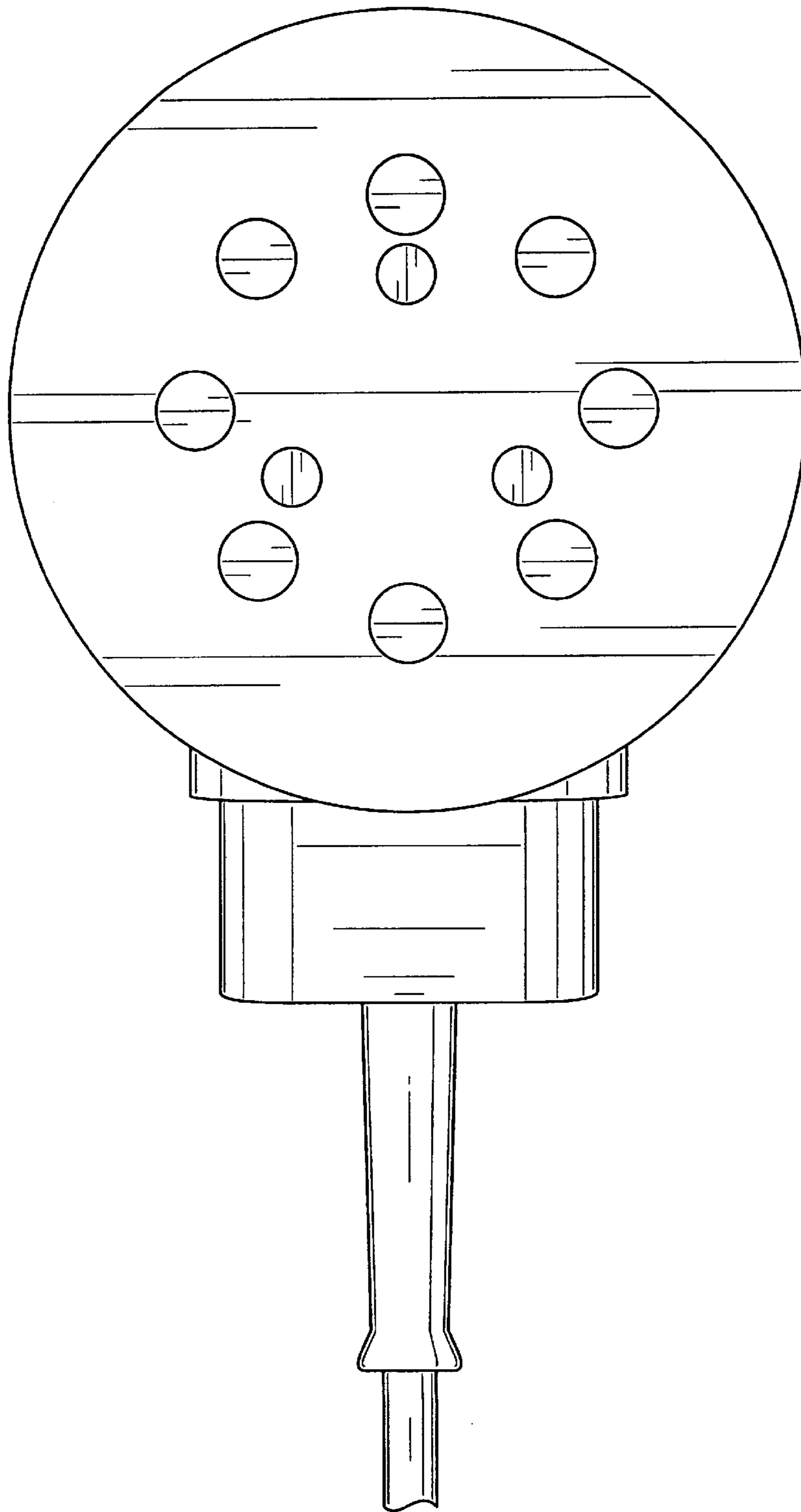


FIG. 7