

US00D527593S

(12) **United States Design Patent**
Price et al.

(10) **Patent No.:** **US D527,593 S**
(45) **Date of Patent:** **** Sep. 5, 2006**

(54) **PNEUMATIC TOOL**
(75) Inventors: **Scott D. Price**, Lebanon, NJ (US);
Roger Davis, Cincinnati, OH (US)
(73) Assignee: **Ingersoll-Rand Company**, Woodcliff
Lake, NJ (US)
(**) Term: **14 Years**
(21) Appl. No.: **29/212,872**
(22) Filed: **Sep. 8, 2004**
(51) **LOC (8) Cl.** **08-04**
(52) **U.S. Cl.** **D8/61**
(58) **Field of Classification Search** D8/61,
D8/62, 68, 70; 81/57.11, 57.13, 57.14, 57.26,
81/57.29, 57.39, 57.42, 63.1, 429, 464, 467,
81/469, 470, 473; 173/168, 169, 170, 176,
173/177, 178, 181, 216, 217; 73/862.21;
310/50
See application file for complete search history.

(56) **References Cited**
U.S. PATENT DOCUMENTS
D334,124 S * 3/1993 Izumisawa D8/61
D408,241 S * 4/1999 Jansson D8/61
D440,848 S * 4/2001 Izumisawa D8/61
D447,029 S * 8/2001 Sun et al. D8/61

D449,212 S 10/2001 Price et al.
D468,607 S 1/2003 Price et al.
D471,069 S 3/2003 Price et al.
D496,568 S * 9/2004 Izumisawa D8/25
2005/0132846 A1 * 6/2005 Lai 81/57.39

* cited by examiner
Primary Examiner—Cathron C. Brooks
Assistant Examiner—Austin Murphy
(74) *Attorney, Agent, or Firm*—Michael Best & Friedrich
LLP

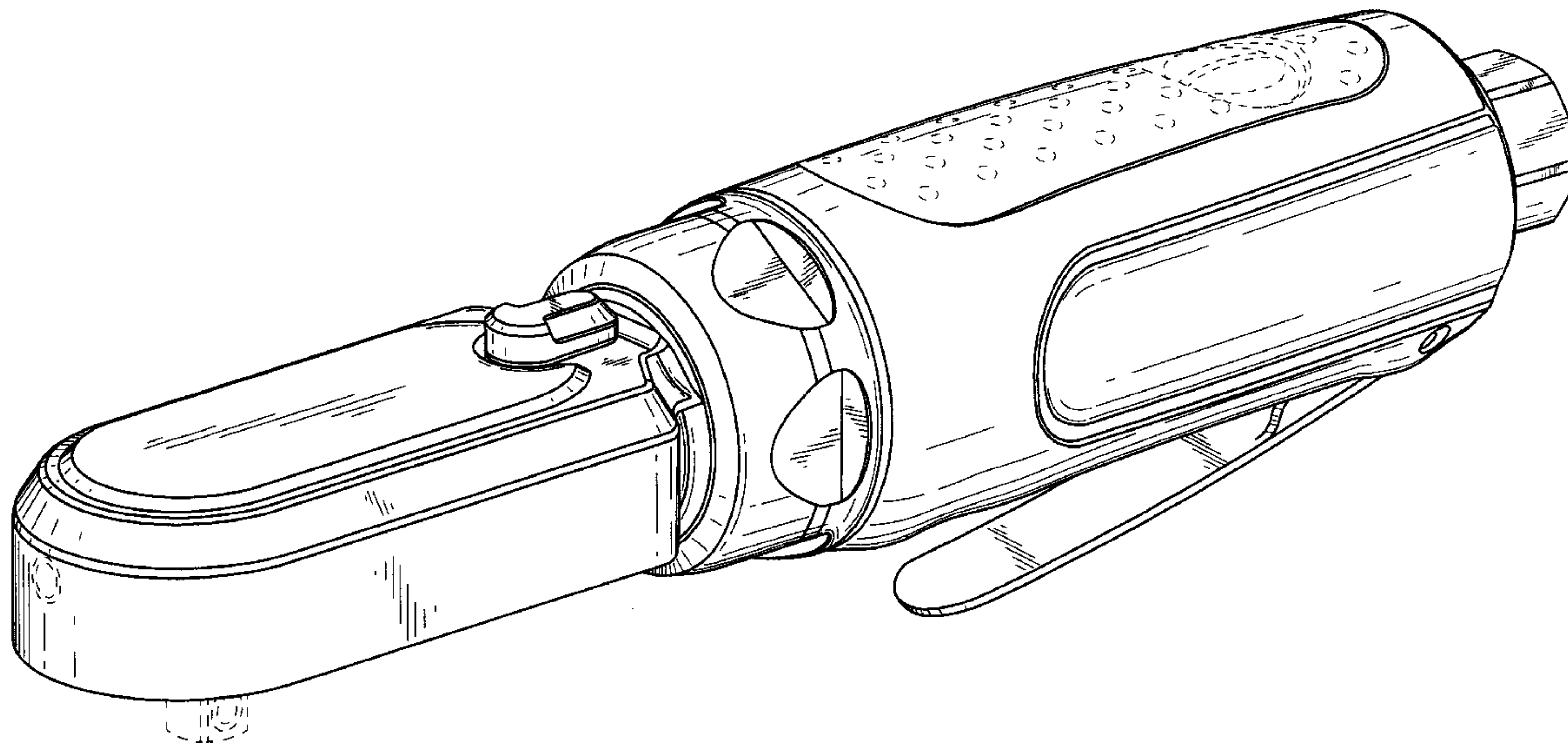
(57) **CLAIM**

We claim the ornamental design for a pneumatic tool, as shown and described.

DESCRIPTION

FIG. 1 is a perspective view of the pneumatic tool showing our new design;
FIG. 2 is a top view of FIG. 1;
FIG. 3 is a bottom view of FIG. 1;
FIG. 4 is a right side view of FIG. 1;
FIG. 5 is a left side view of FIG. 1;
FIG. 6 is a front view of FIG. 1; and,
FIG. 7 is a rear view of FIG. 1.
The structural features depicted by means of broken lines in the drawing figures have been shown for illustrative purposes only and form no part of the claimed design.

1 Claim, 6 Drawing Sheets



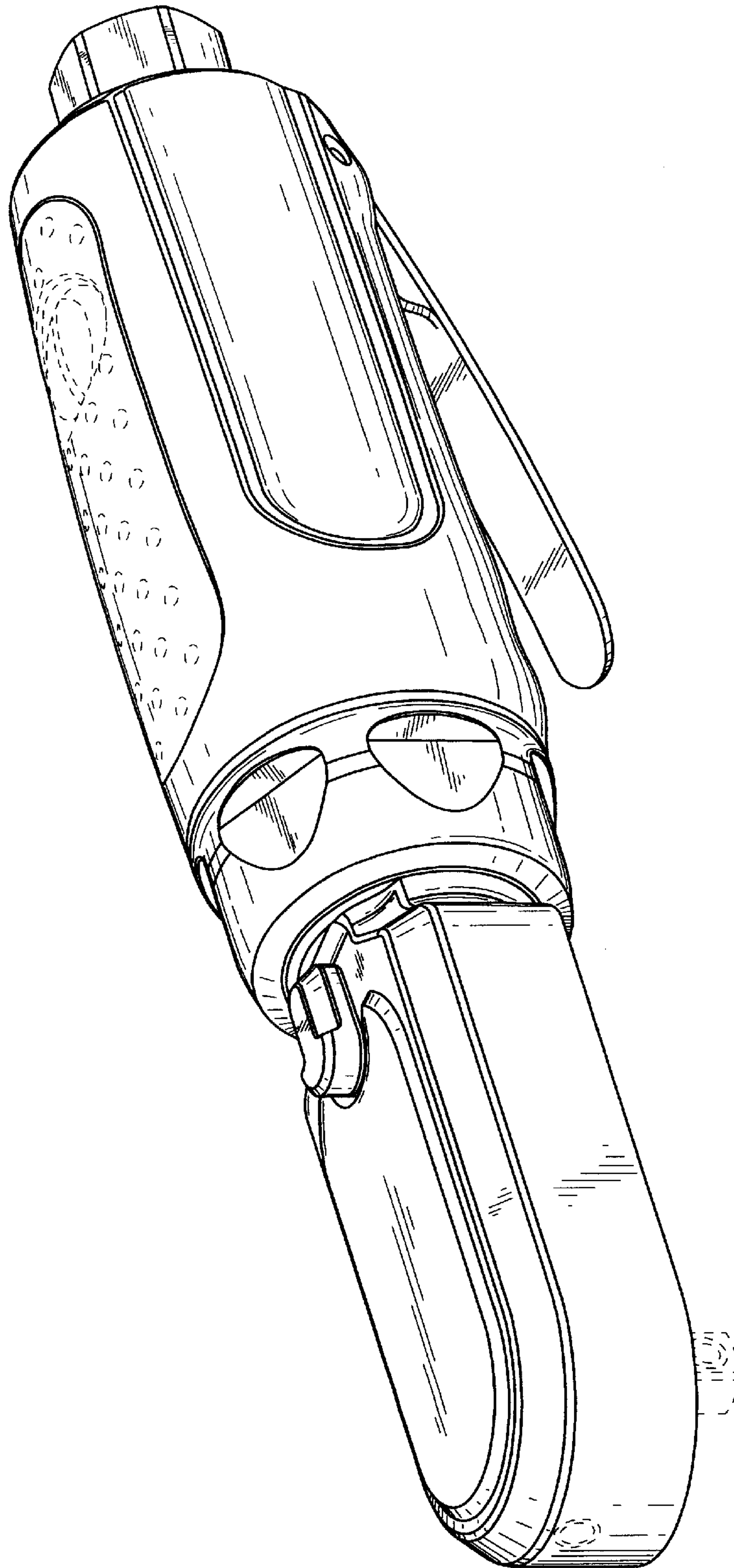


FIG. 1

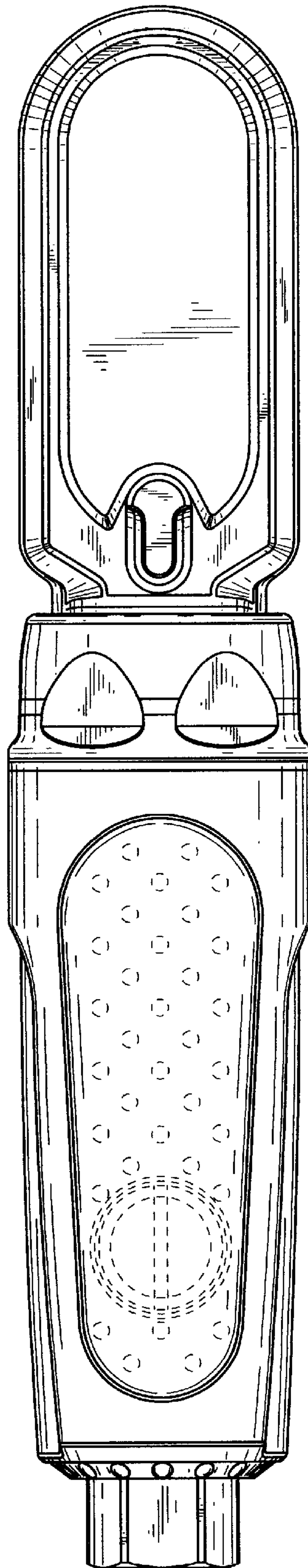


FIG. 2

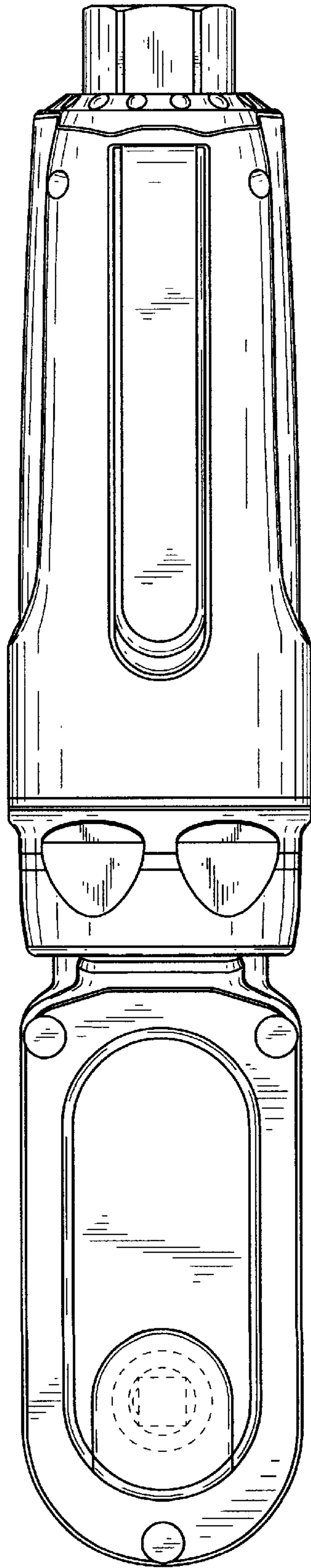


FIG. 3

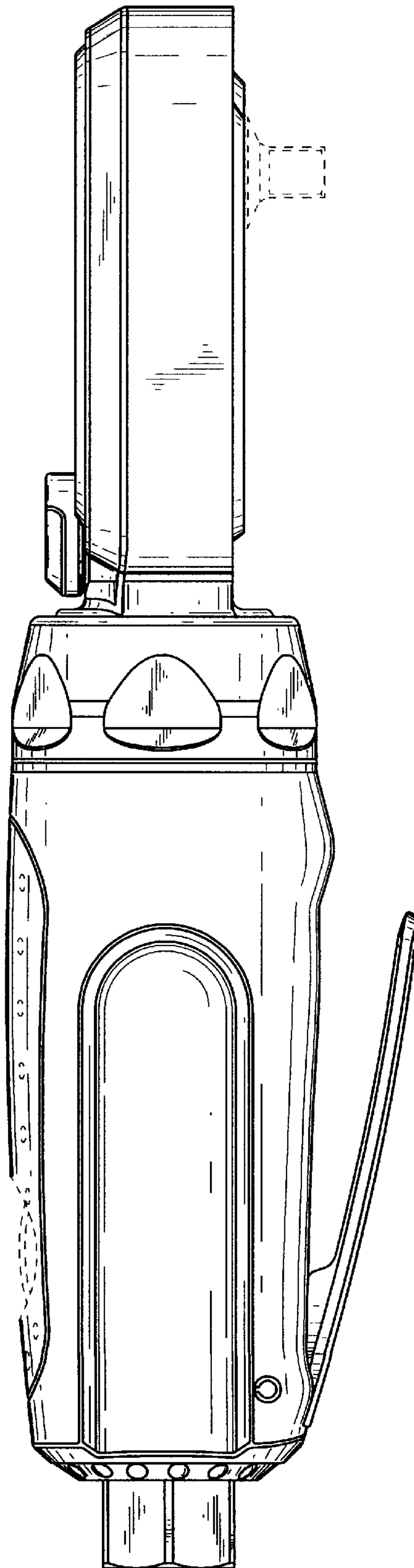


FIG. 4

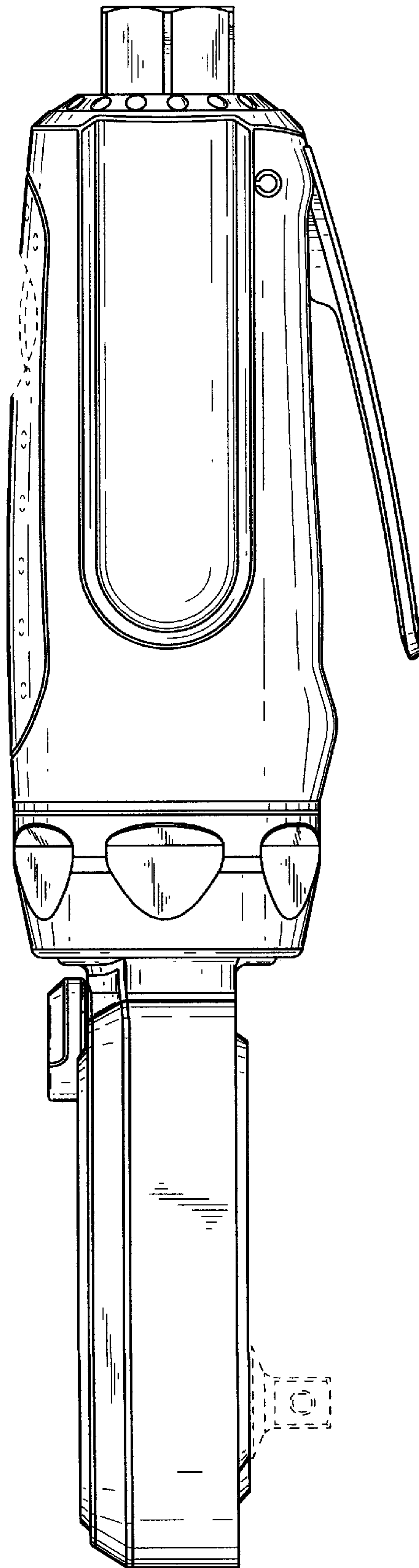


FIG. 5

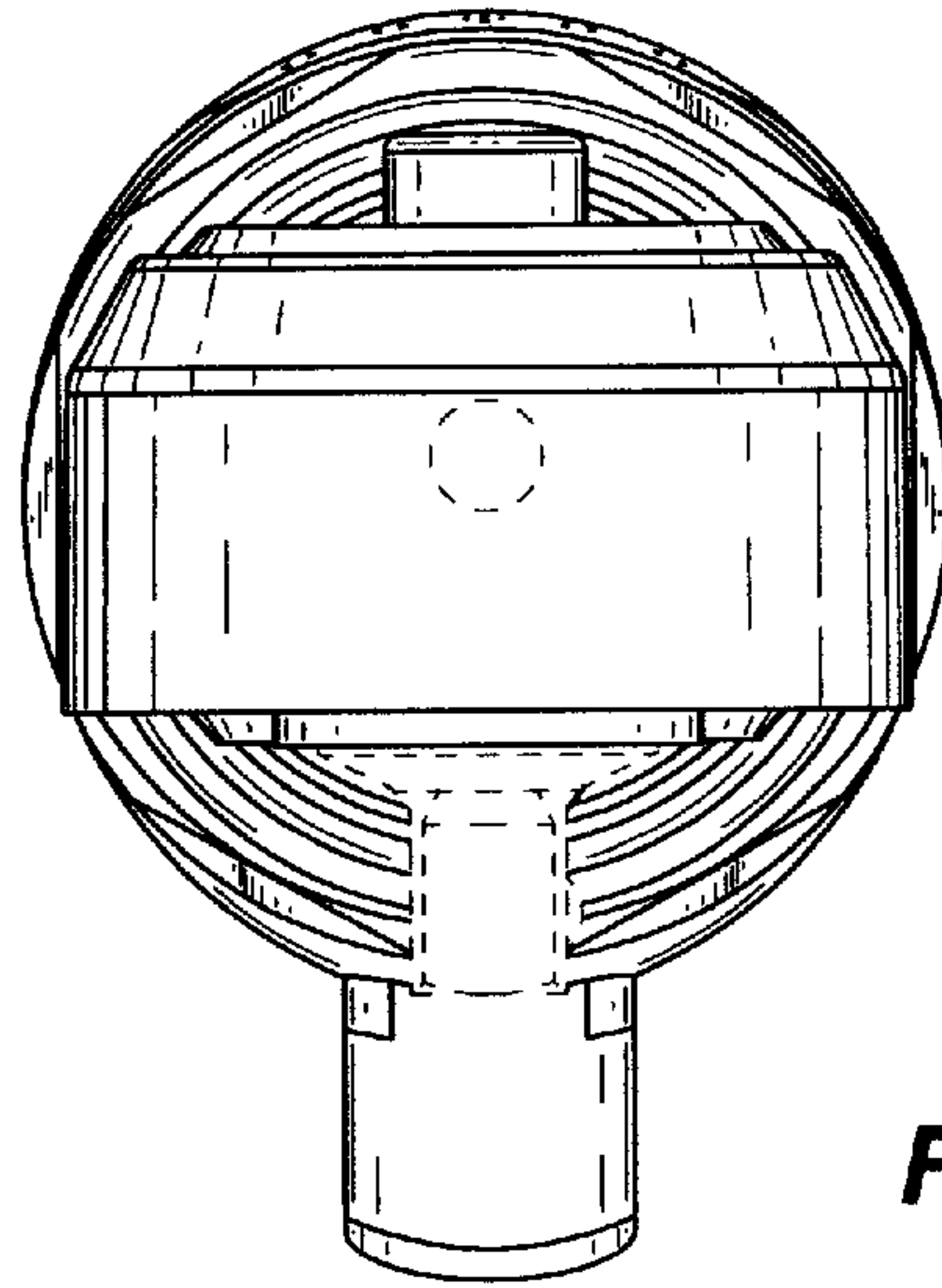


FIG. 6

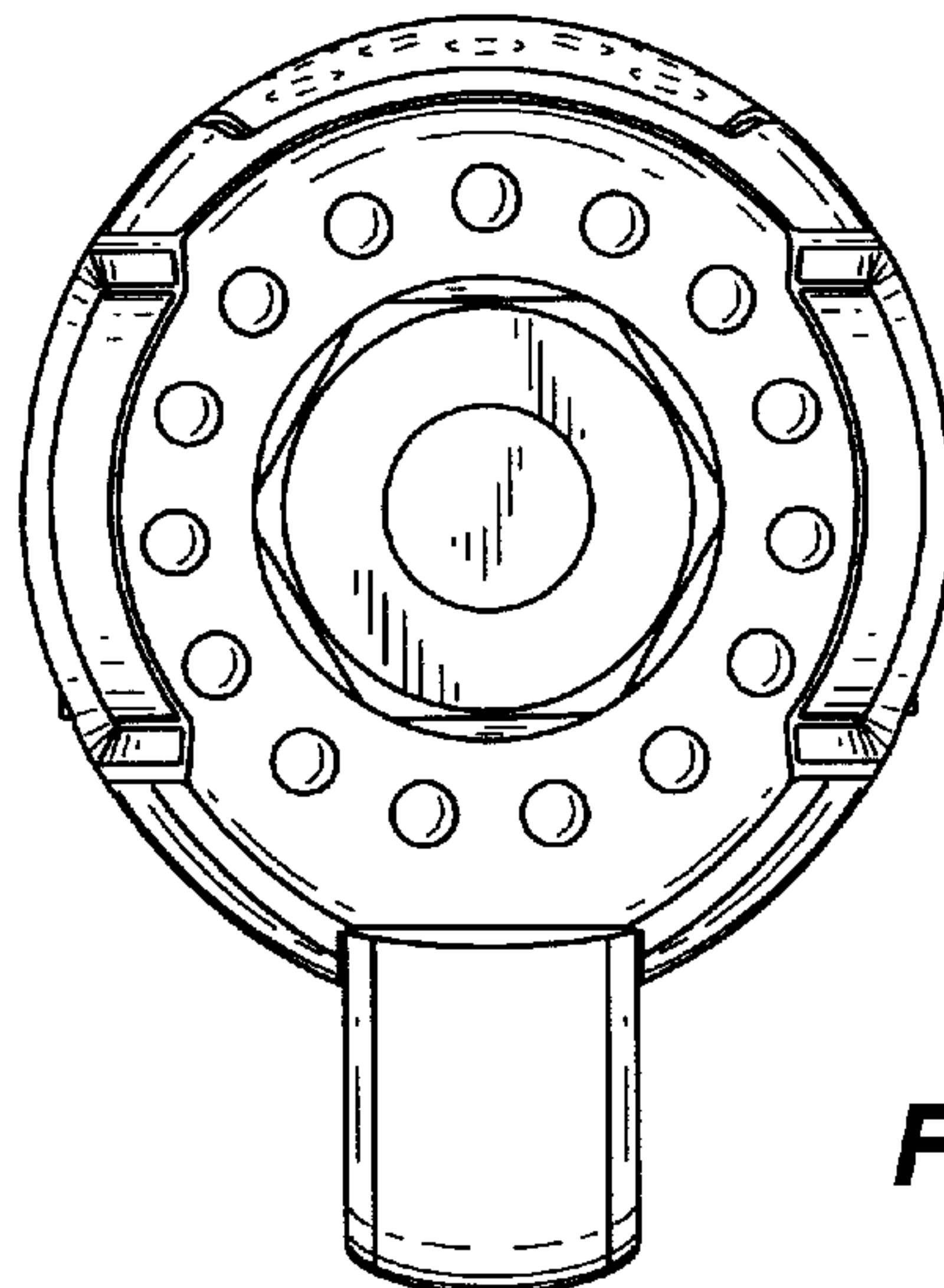


FIG. 7