



US00D527592S

(12) **United States Design Patent**
Hayakawa et al.

(10) **Patent No.:** **US D527,592 S**

(45) **Date of Patent:** **** Sep. 5, 2006**

(54) **POWER WRENCH**

(75) Inventors: **Naohiro Hayakawa**, Anjo (JP);
Manabu Sugimoto, Anjo (JP); **Yuji Sakakibara**, Anjo (JP); **Taiju Tsuboi**, Anjo (JP)

(73) Assignee: **Makita Corporation**, Aichi-ken (JP)

(**) Term: **14 Years**

(21) Appl. No.: **29/205,795**

(22) Filed: **May 21, 2004**

(30) **Foreign Application Priority Data**

Nov. 28, 2003 (JP) 2003-038911

(51) **LOC (8) Cl.** **08-04**

(52) **U.S. Cl.** **D8/61**

(58) **Field of Classification Search** D8/61,
D8/62, 68, 70; 81/57.11, 57.13, 57.14, 57.26,
81/57.29, 57.39, 57.42, 63.1, 429, 464, 467,
81/469, 470, 473; 173/168, 169, 170, 176,
173/177, 178, 181, 216, 217; 73/862.21;
310/50

See application file for complete search history.

(56) **References Cited**

U.S. PATENT DOCUMENTS

D298,908 S * 12/1988 Clemens D8/61
D323,961 S * 2/1992 Fushiya et al. D8/61
D335,808 S * 5/1993 Bruno et al. D8/61
D336,228 S * 6/1993 Anderson et al. D8/61
D352,645 S * 11/1994 Ichikawa D8/61
D372,850 S * 8/1996 Dubuque et al. D8/61

D414,093 S * 9/1999 Zurwelle D8/61
D444,363 S * 7/2001 Hayakawa et al. D8/61
6,460,629 B1 * 10/2002 Bookshar et al. 173/176
6,715,380 B1 * 4/2004 Listl et al. 81/57.13
D496,568 S * 9/2004 Izumisawa D8/25
6,929,074 B1 * 8/2005 Lai 173/178
D510,513 S * 10/2005 Aglassinger D8/61
6,968,908 B1 * 11/2005 Tokunaga et al. 173/181
2003/0010158 A1 * 1/2003 Listl et al. 81/57.13

FOREIGN PATENT DOCUMENTS

JP 1159422 12/2002
JP 1159861 12/2002

* cited by examiner

Primary Examiner—Cathron C. Brooks

Assistant Examiner—Austin Murphy

(74) *Attorney, Agent, or Firm*—Dennison, Schultz,
Dougherty & MacDonald

(57) **CLAIM**

The ornamental design for a power wrench, as shown and described.

DESCRIPTION

FIG. 1 is a perspective view of a power wrench showing our new design;

FIG. 2 is a front elevation view thereof;

FIG. 3 is a rear elevation view thereof;

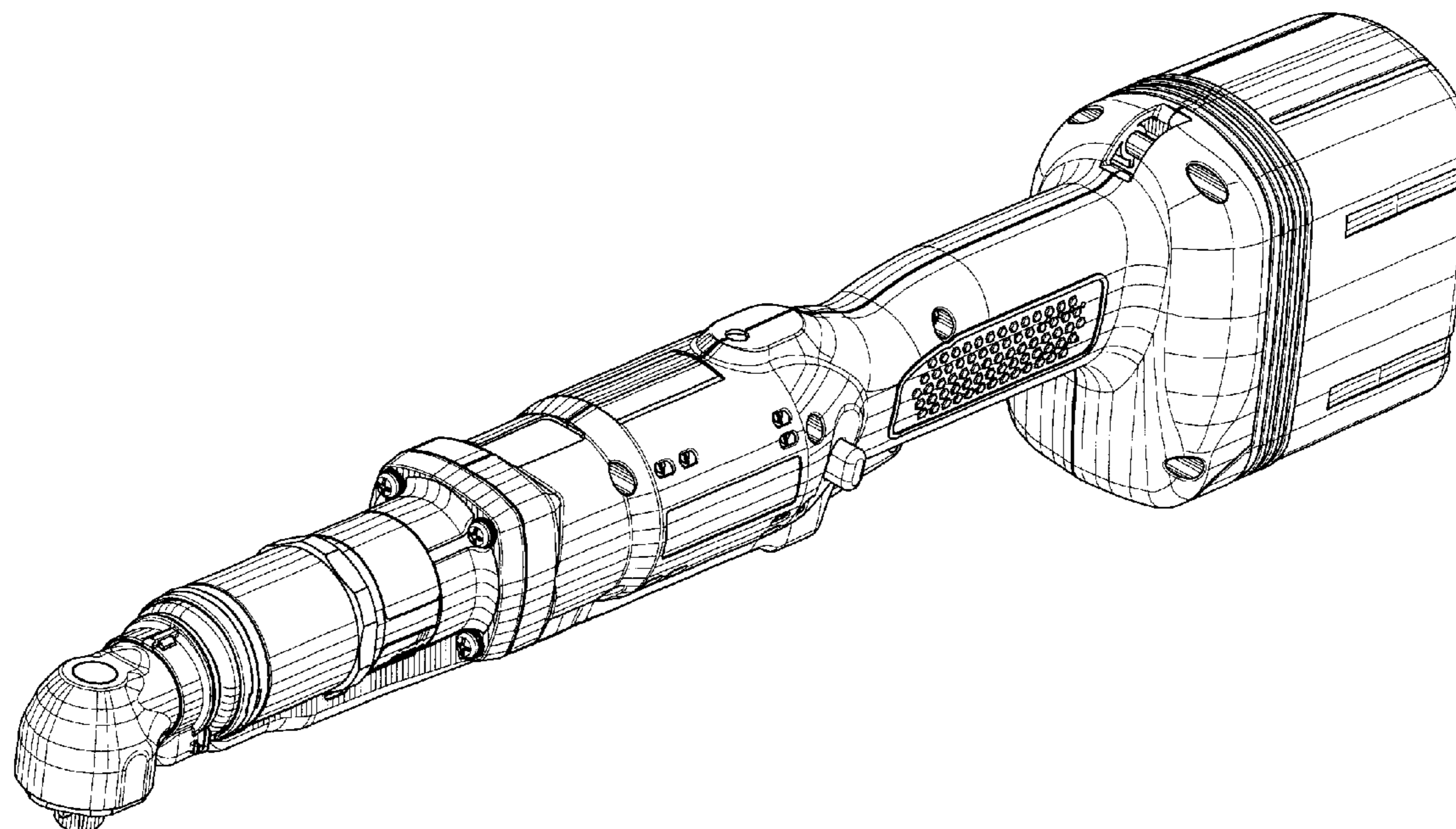
FIG. 4 is a left side elevation view thereof;

FIG. 5 is a right side elevation view thereof;

FIG. 6 is a top plan view thereof; and,

FIG. 7 is a bottom plan view thereof.

1 Claim, 4 Drawing Sheets



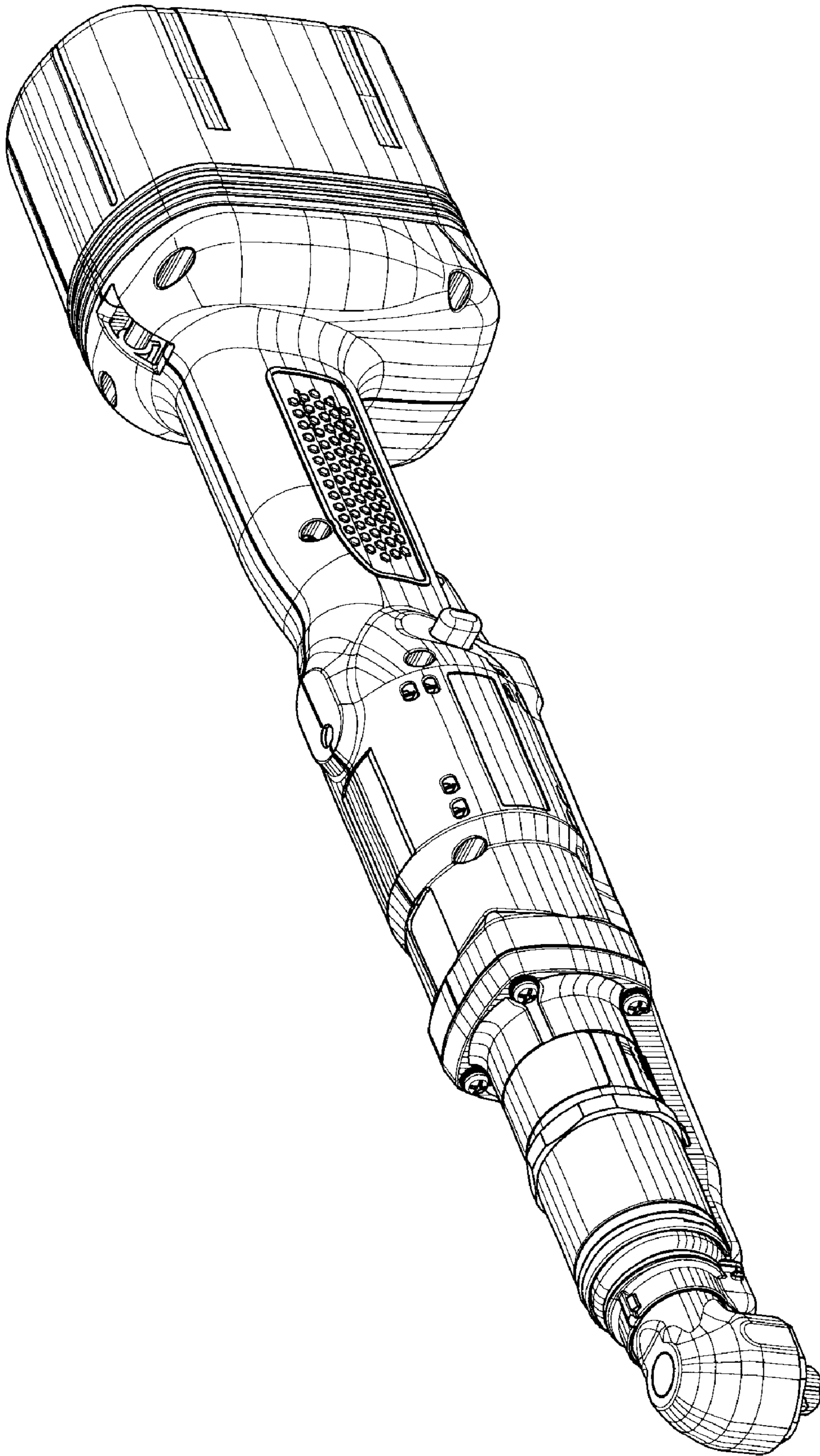


FIG. 1

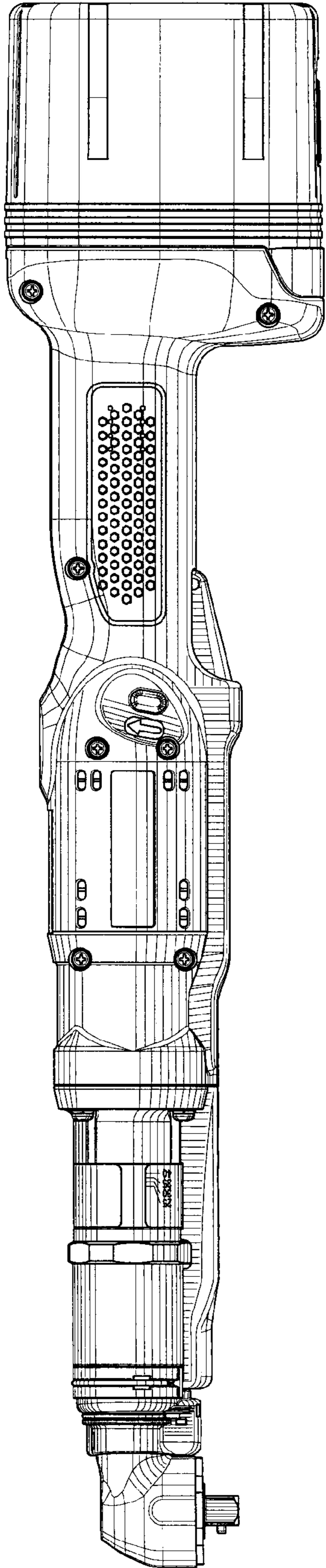


FIG. 2

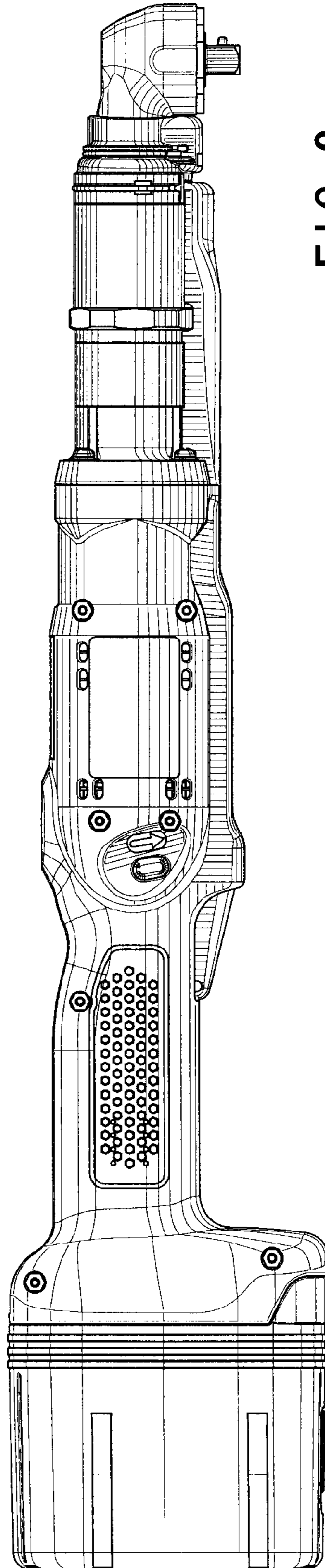


FIG. 3

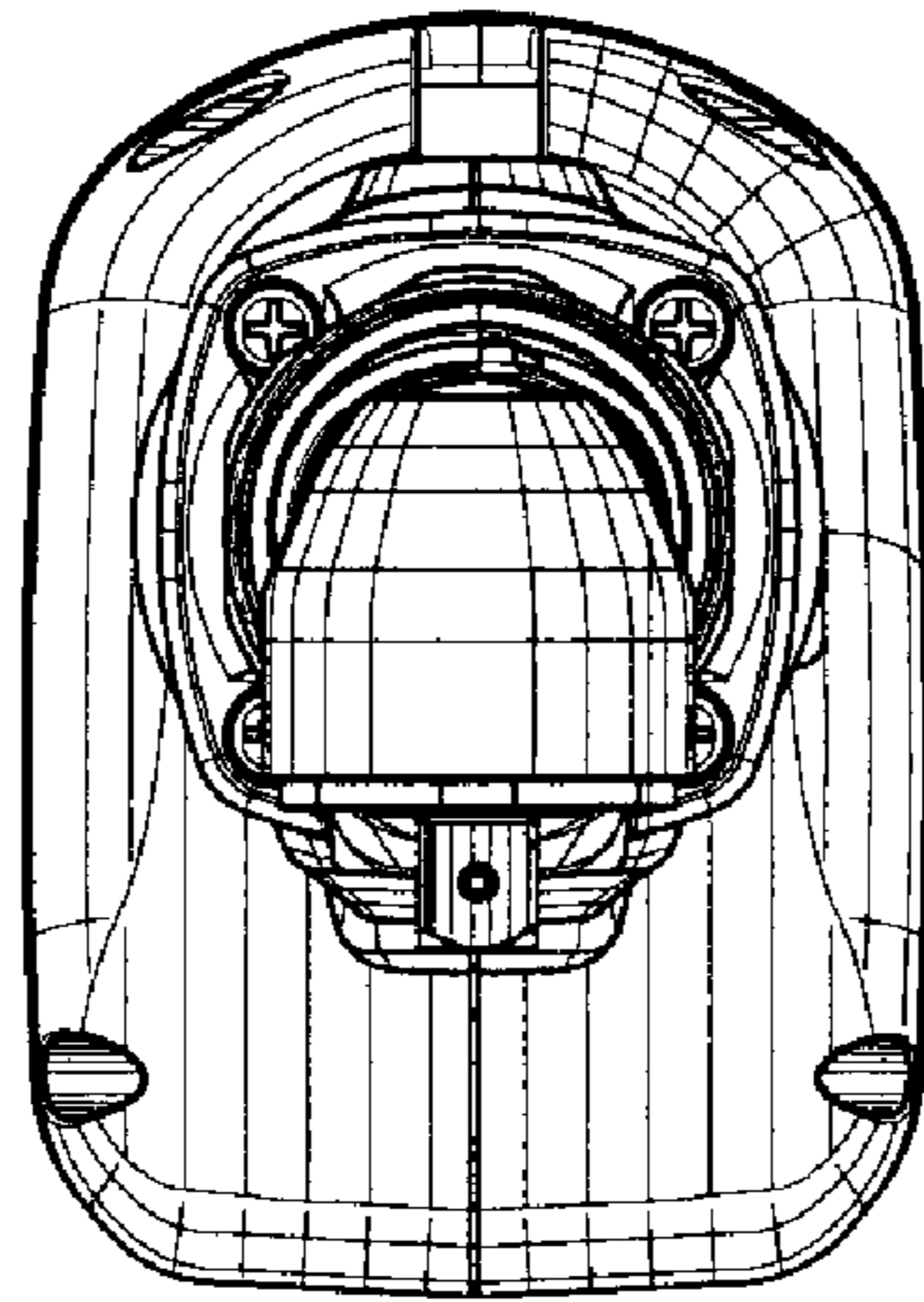


FIG. 4

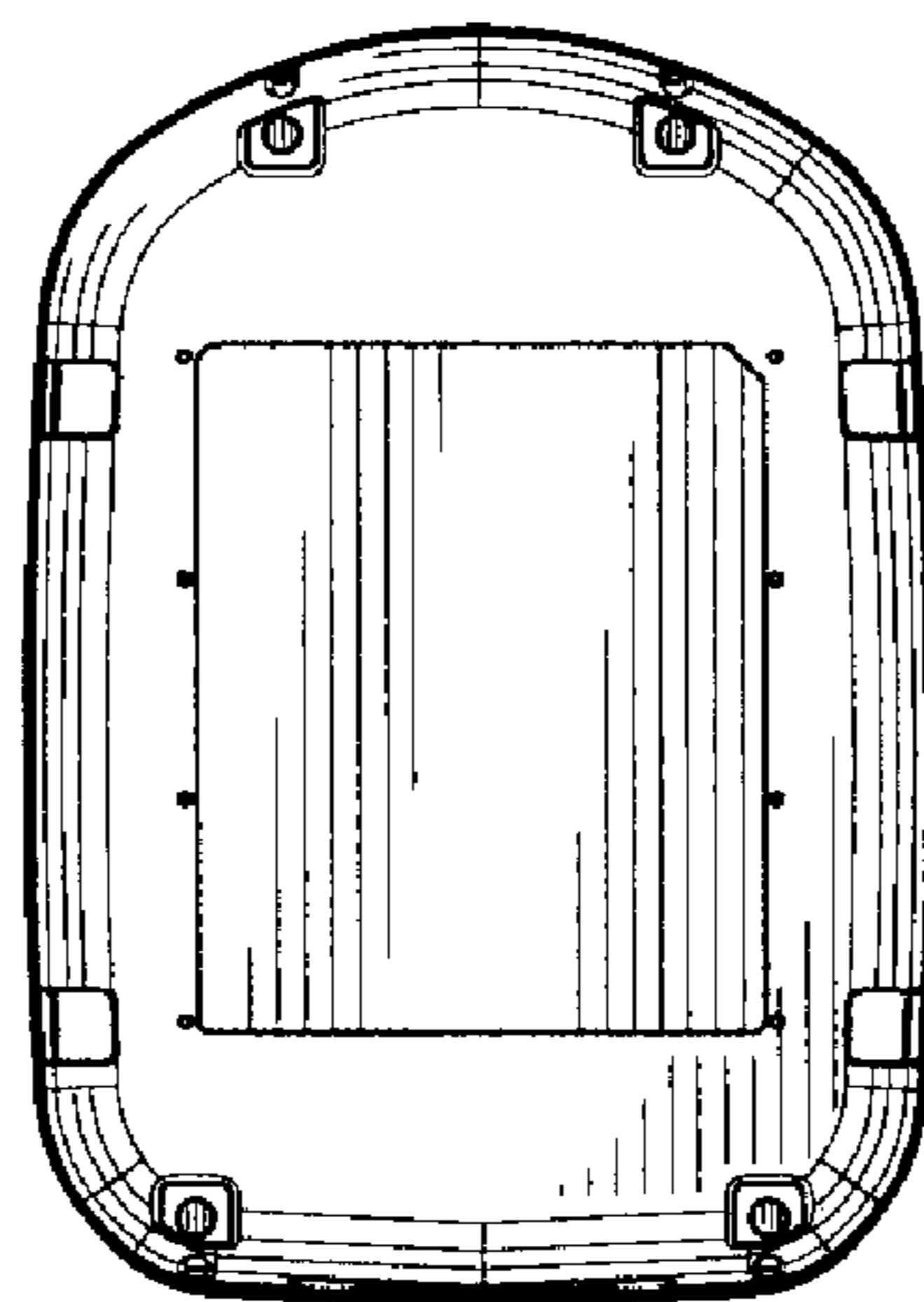


FIG. 5

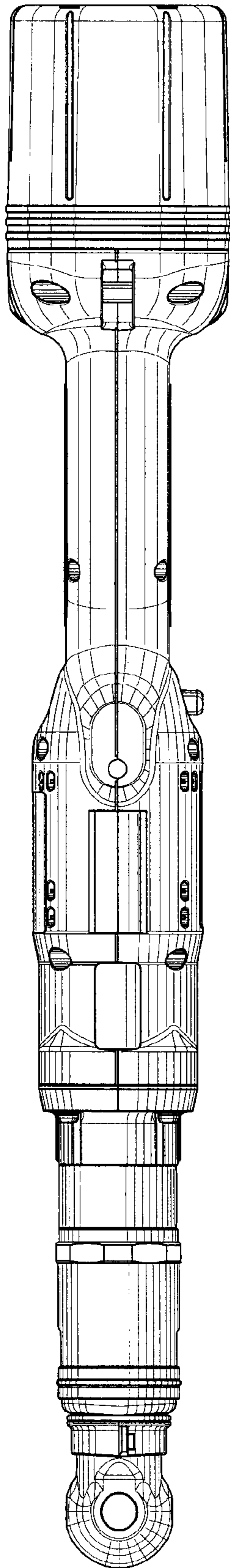


FIG. 6

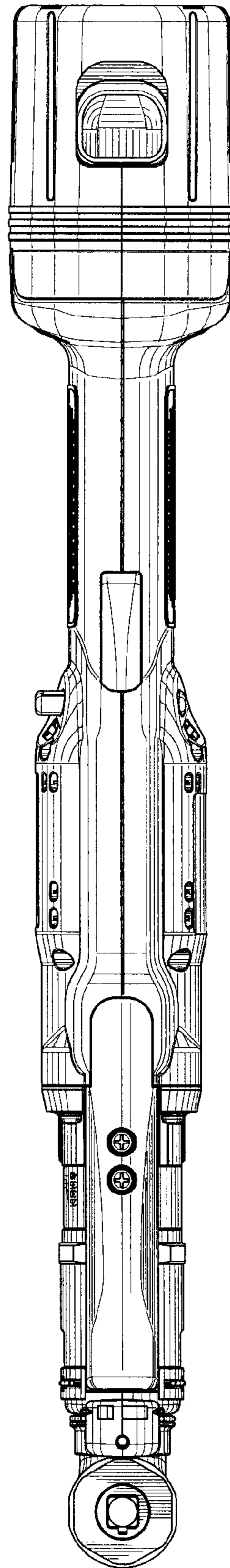


FIG. 7