



US00D527590S

(12) **United States Design Patent**
Dee et al.

(10) **Patent No.:** **US D527,590 S**

(45) **Date of Patent:** **** Sep. 5, 2006**

(54) **PRESSURE POINTING AND GROUTING GUN**

4,147,282 A * 4/1979 Levy 222/387
D321,309 S * 11/1991 Myers D8/14.1
D333,242 S * 2/1993 Gonzales D8/14.1
D409,059 S * 5/1999 Wilson et al. D8/14.1

(76) Inventors: **Colin Dee**, 11 The Avenue, Coxhoe, Durham, DH6 4AD (GB); **Graham Dunn**, 8 Broadway Avenue, Trimdon, County Durham, TS29 6PU (GB); **Peter Prickett**, Great North Road Cottage, Whitesmocks, Durham, DH1 4HN (GB); **John Williams**, 121 Wallington Road, Billingham, Cleveland, TS23 3XQ (GB)

* cited by examiner

Primary Examiner—Holly Baynham
(74) *Attorney, Agent, or Firm*—MacMillan, Sobanski & Todd, LLC

(**) **Term:** **14 Years**

(57) **CLAIM**

The ornamental design for a pressure pointing and grouting gun, as shown.

(21) **Appl. No.:** **29/203,843**

DESCRIPTION

(22) **Filed:** **Apr. 20, 2004**

(51) **LOC (8) Cl.** **08-05**

(52) **U.S. Cl.** **D8/14.1**

(58) **Field of Classification Search** D8/14.1;
222/251, 255–256, 324, 386, 387–392
See application file for complete search history.

FIG. 1 is a front elevational view of a pressure pointing and grouting gun embodying my design.

FIG. 2 is a rear elevational view thereof.

FIG. 3 is a left side elevational view thereof.

FIG. 4 is a right side elevational view thereof.

FIG. 5 is a top plan view thereof; and,

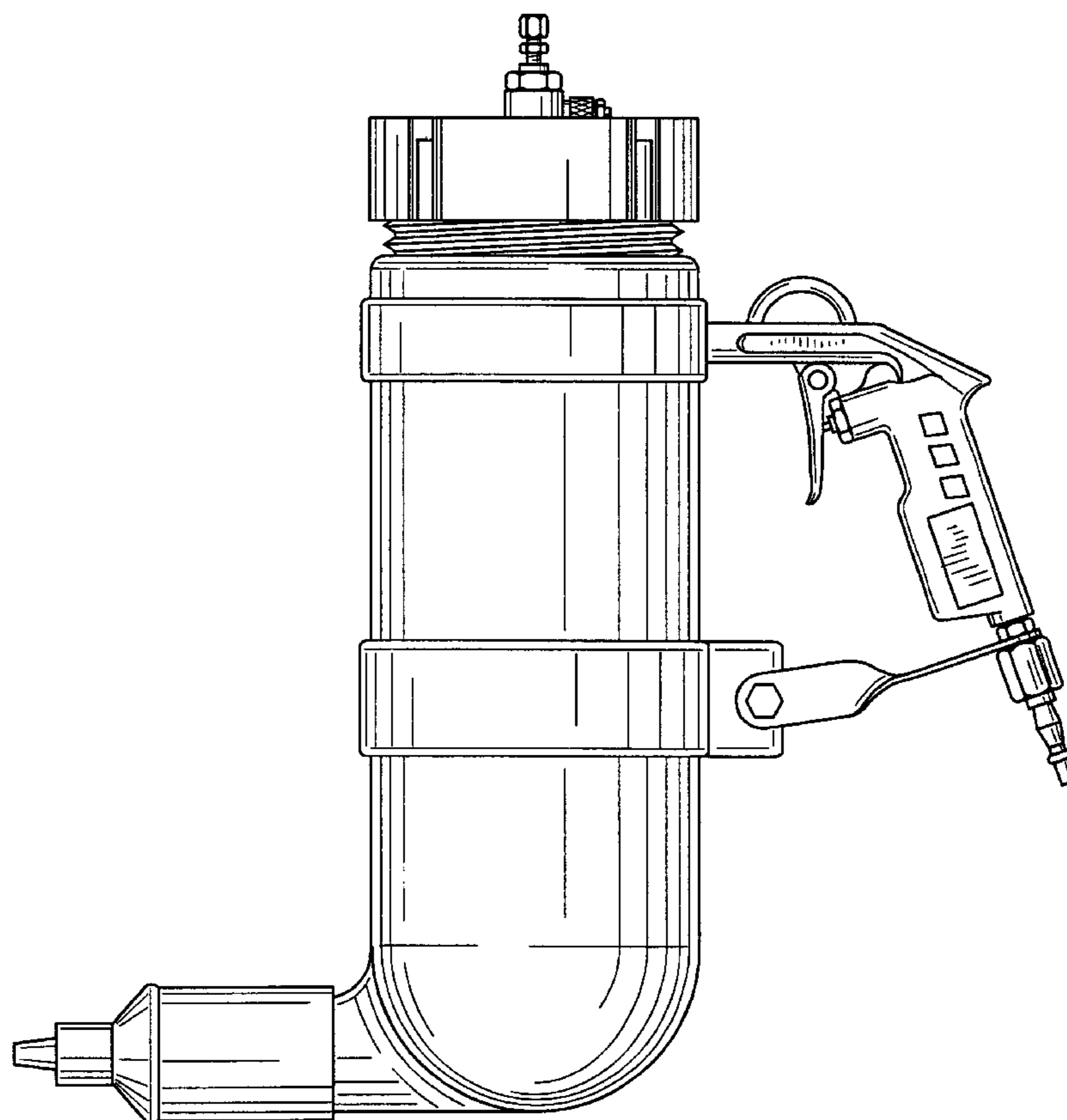
FIG. 6 is a bottom plan view thereof.

(56) **References Cited**

U.S. PATENT DOCUMENTS

2,388,391 A * 11/1945 Czerner 222/256

1 Claim, 6 Drawing Sheets



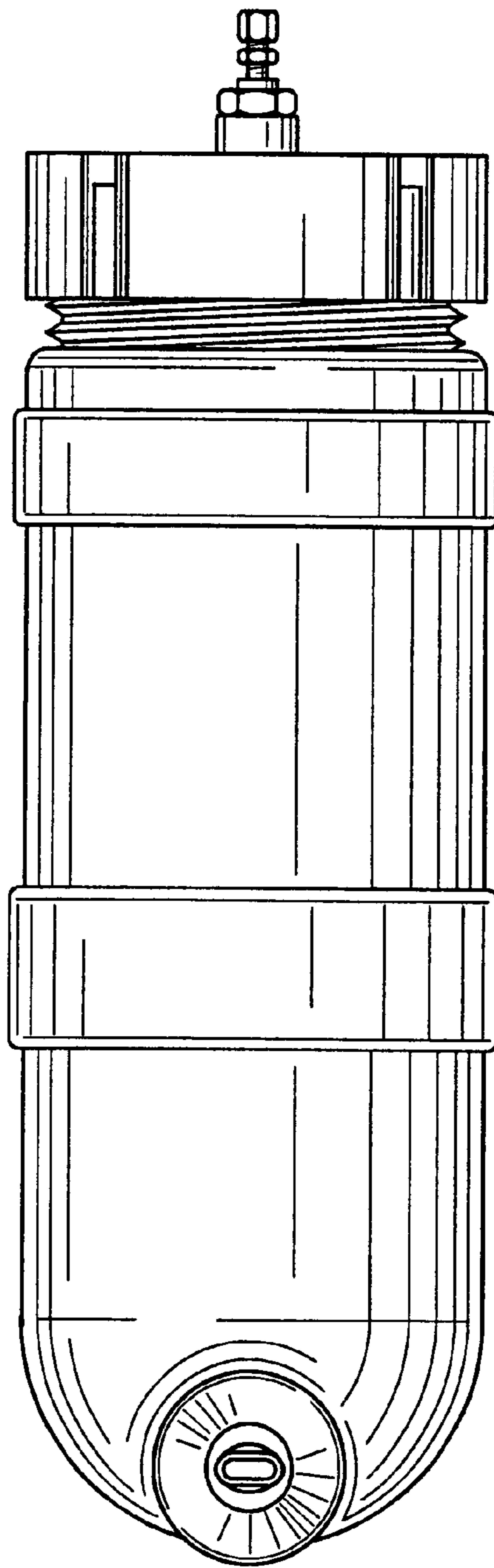


FIG. 1

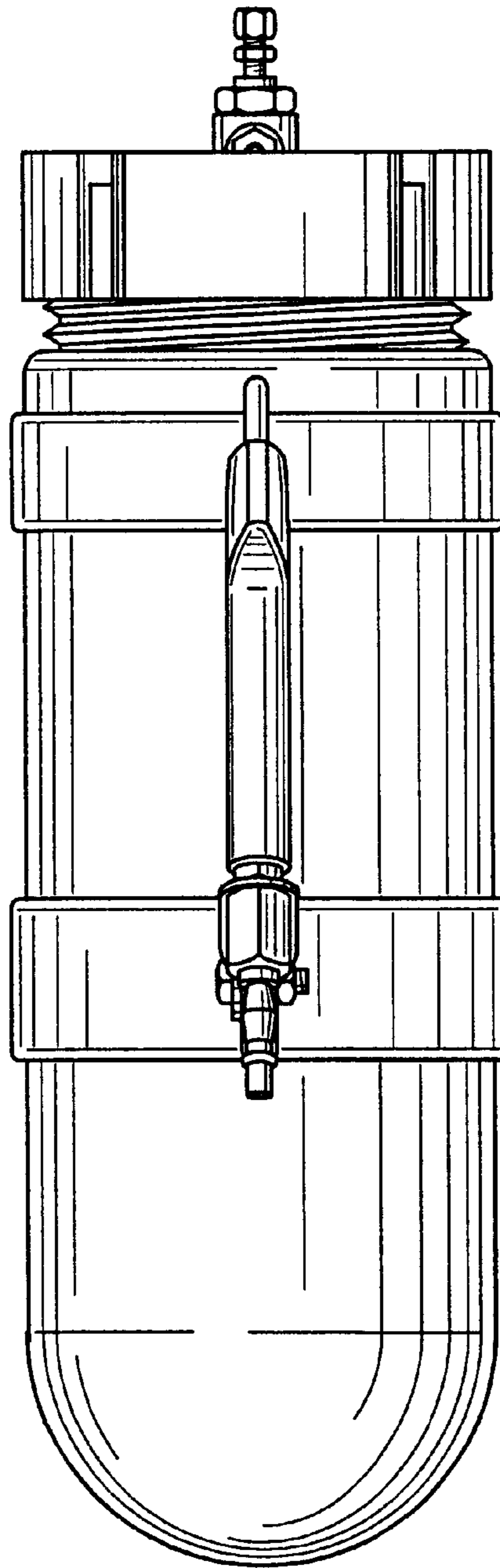


FIG. 2

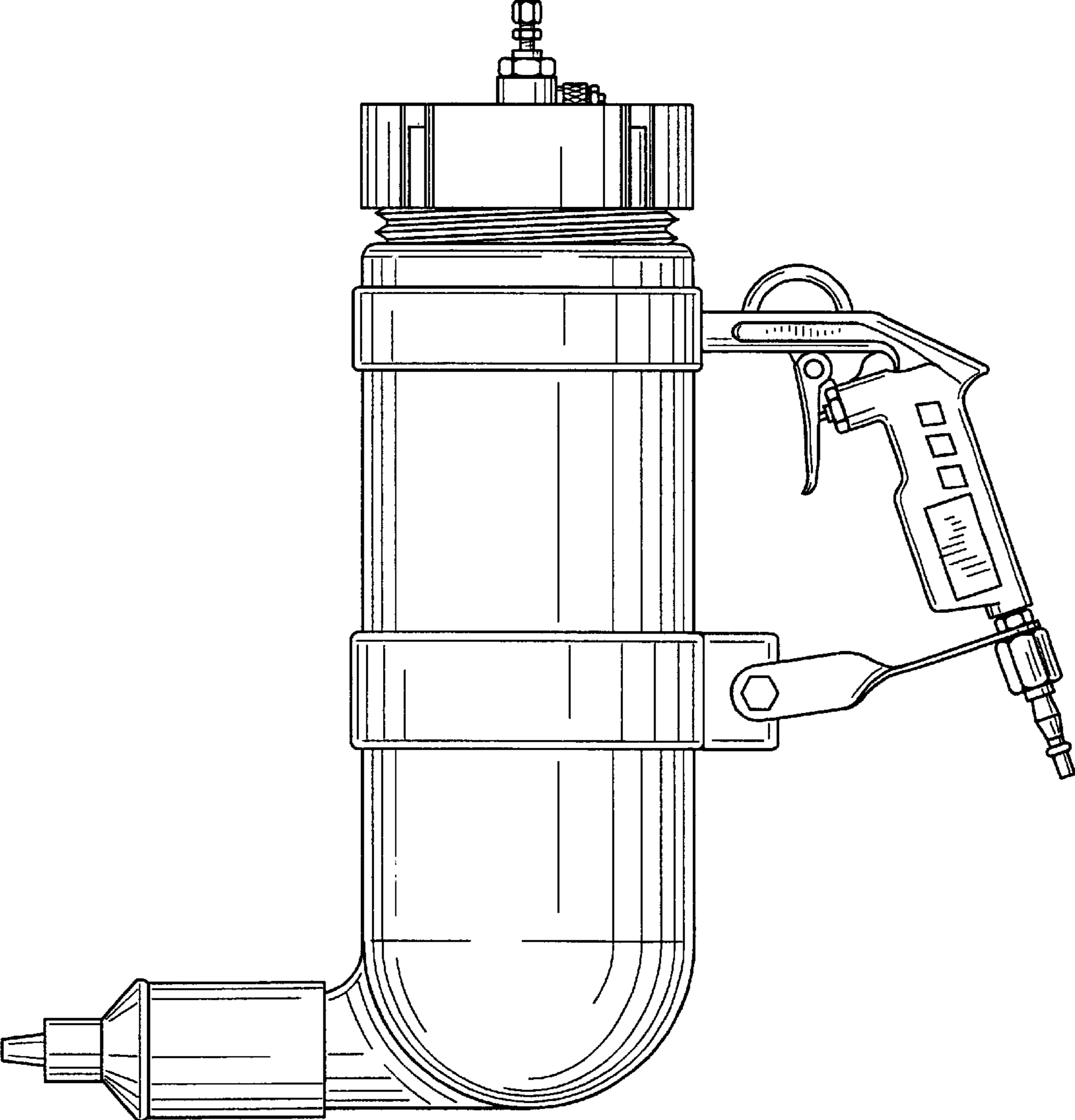


FIG. 3

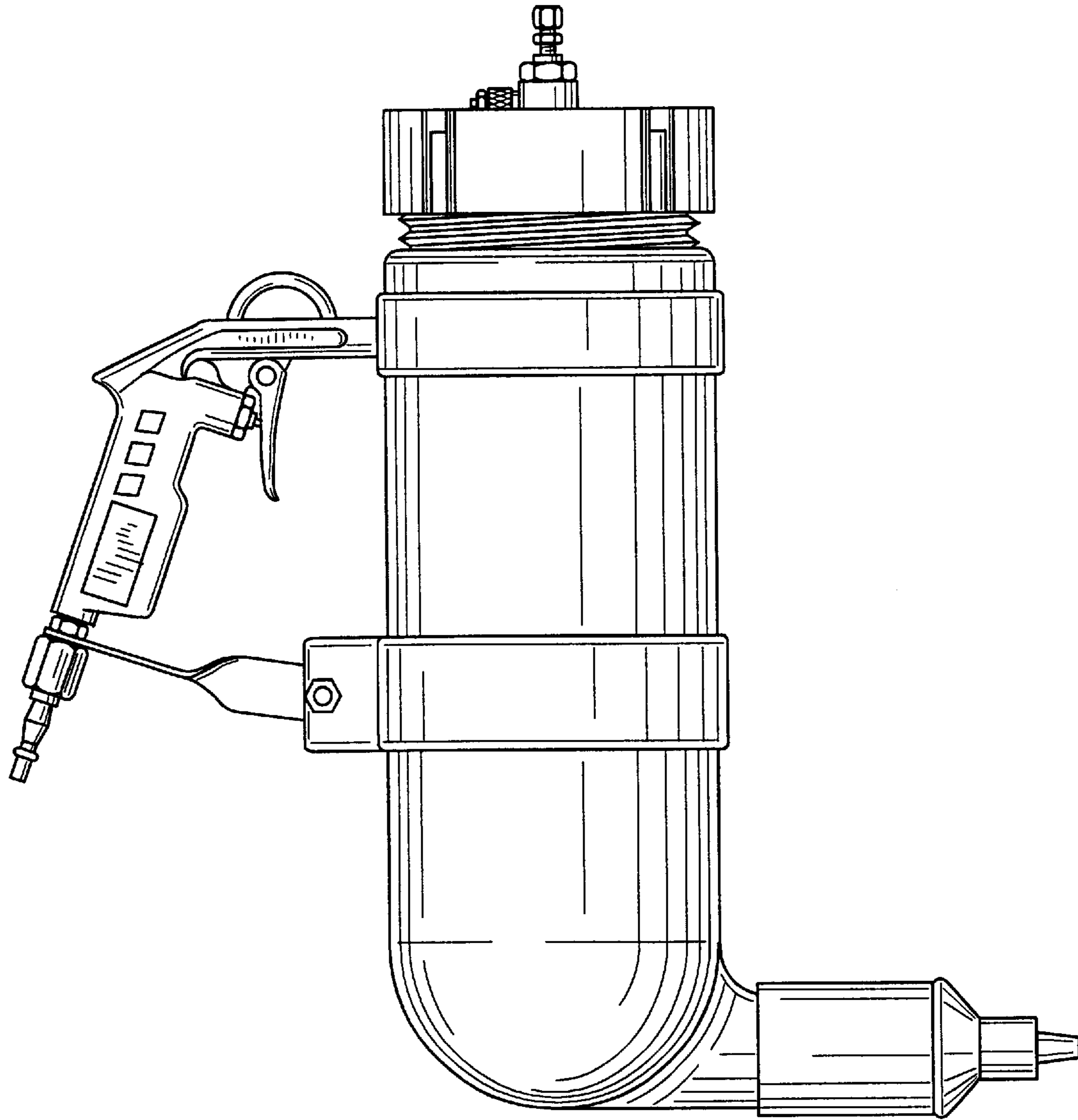


FIG. 4

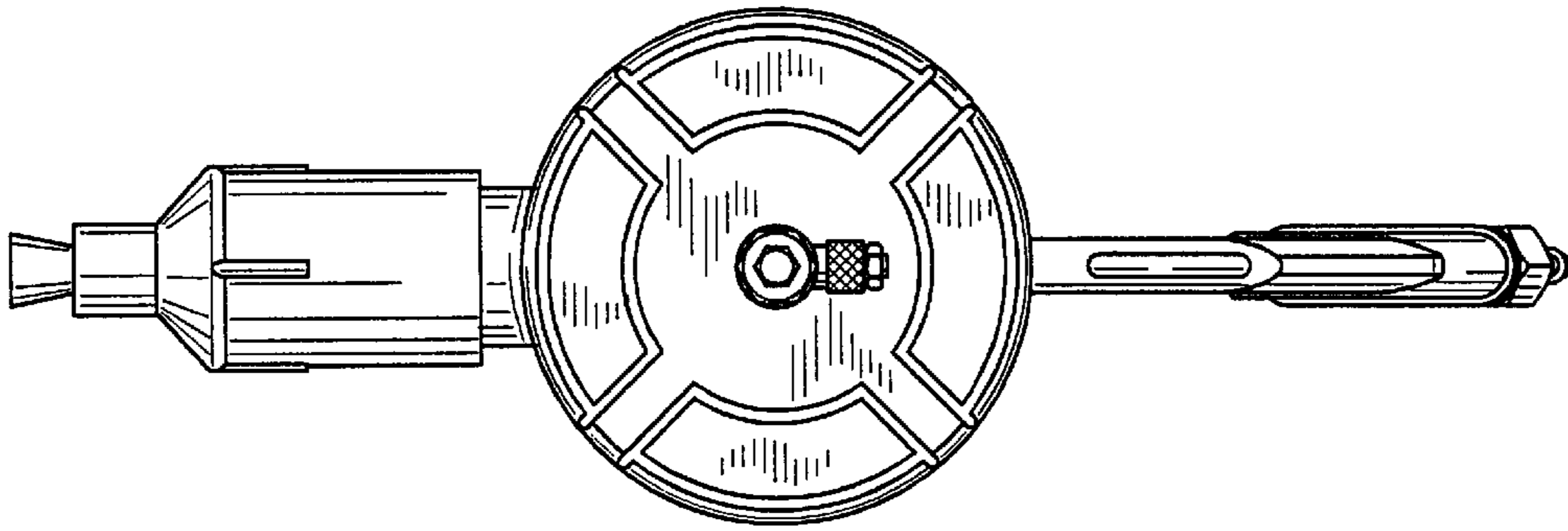


FIG. 5

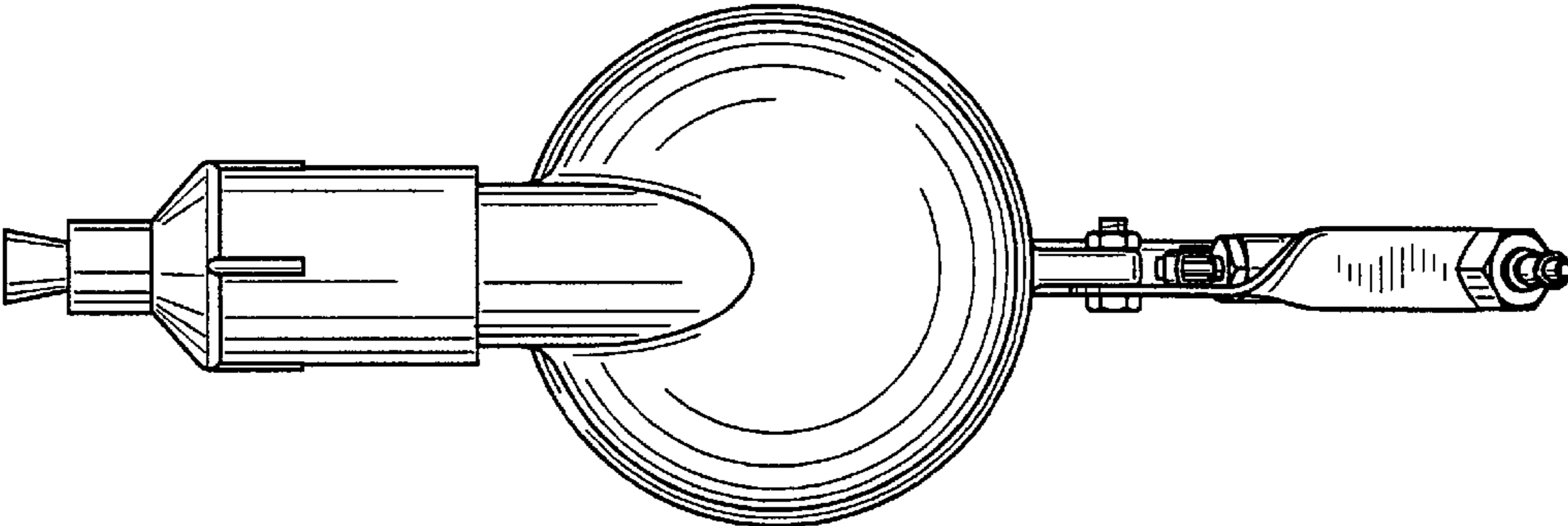


FIG. 6