



US00D527586S

(12) **United States Design Patent**
Bacchus

(10) **Patent No.:** **US D527,586 S**

(45) **Date of Patent:** **** Sep. 5, 2006**

(54) **BEVERAGE BOTTLE DISPLAY STAND**

(76) Inventor: **Riyad Bacchus**, 7781 N W. 13th Ct.,
Plantation, FL (US) 33322

(**) Term: **14 Years**

(21) Appl. No.: **29/245,526**

(22) Filed: **Dec. 27, 2005**

(51) **LOC (8) Cl.** **07-06**

(52) **U.S. Cl.** **D7/619.2**

(58) **Field of Classification Search** D7/619.1-625;
D6/465, 466, 469; 211/74, 75, 133.6, 73,
211/71.01; 248/146, 176.1, 174, 311.2, 312
See application file for complete search history.

(56) **References Cited**

U.S. PATENT DOCUMENTS

4,496,124 A * 1/1985 Cole 248/146
D329,781 S 9/1992 Ito
5,180,066 A 1/1993 McArdle

5,197,612 A 3/1993 Thomson
D350,039 S 8/1994 Gener
5,558,236 A 9/1996 Williams et al.
D433,632 S * 11/2000 Bender D7/619.1
D488,358 S * 4/2004 Cook D7/619.1

* cited by examiner

Primary Examiner—Terry A. Wallace

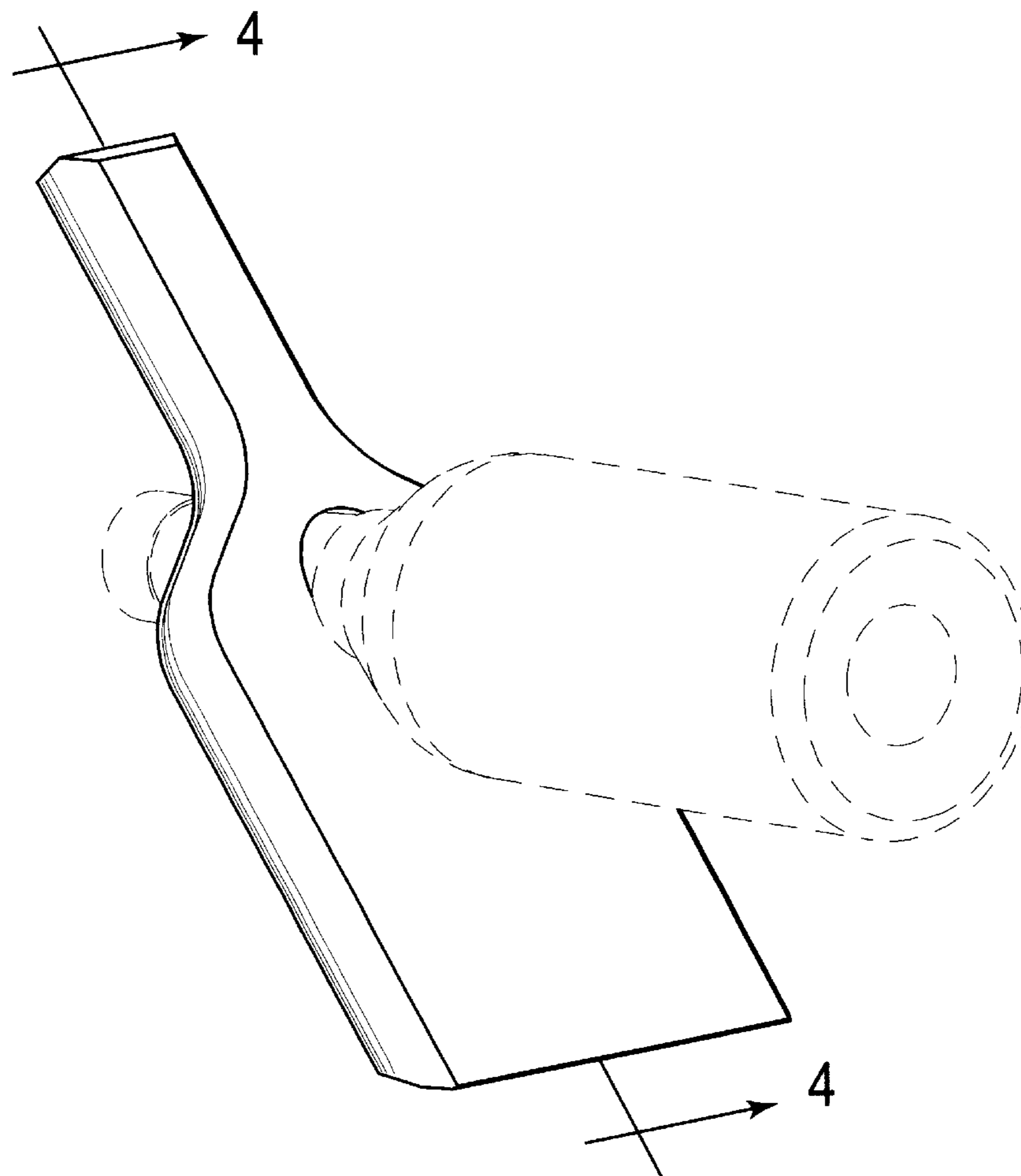
(57) **CLAIM**

The ornamental design for a beverage bottle display stand,
as shown and described.

DESCRIPTION

FIG. 1 is a perspective view showing a beverage bottle
supported along a horizontal plan;
FIG. 2 is a side elevational view thereof; and,
FIG. 3 is a front elevational view thereof.
The broken lines are for illustrative purposes only and form
no part of the claimed design.

1 Claim, 3 Drawing Sheets



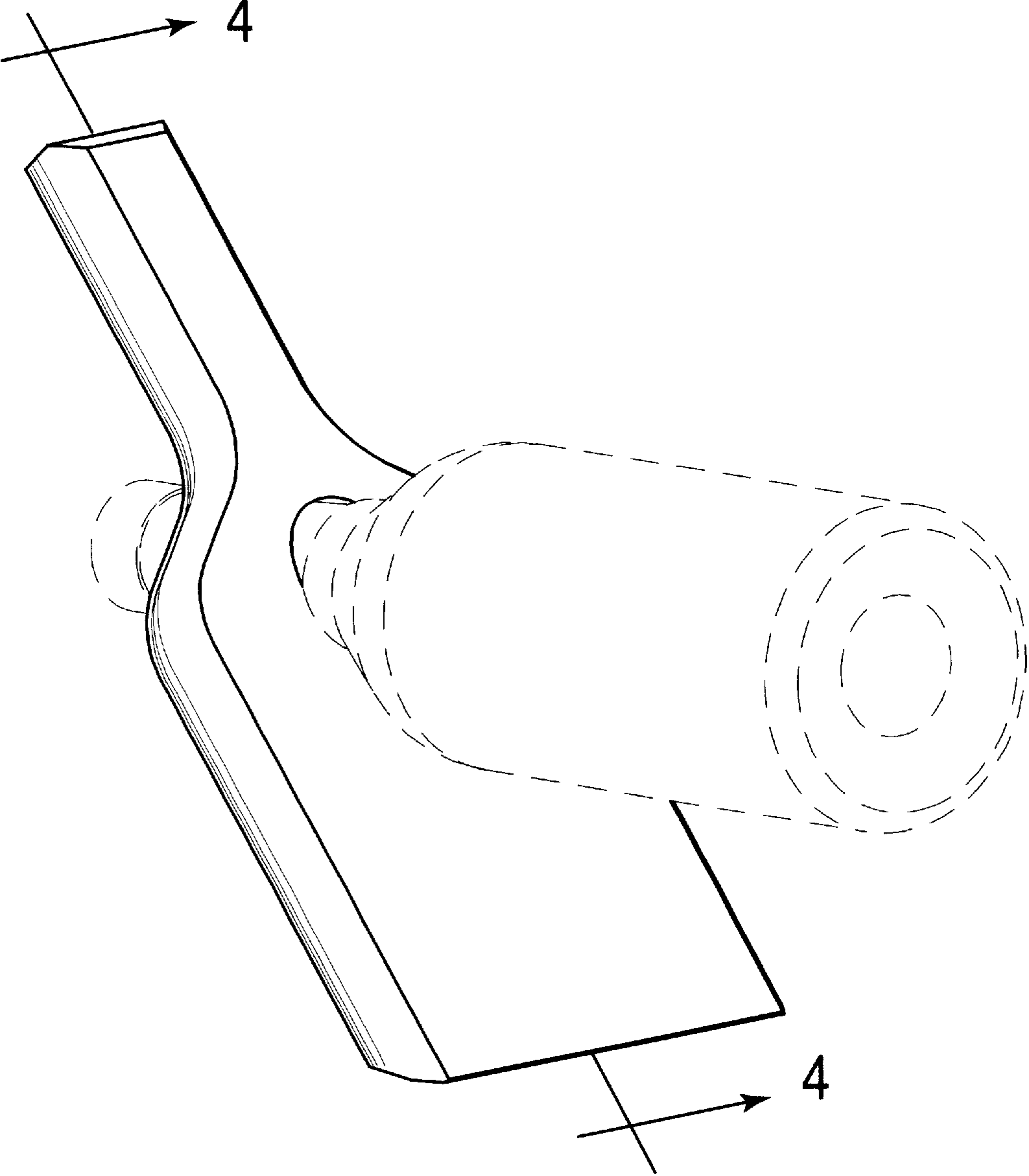


FIG. 1

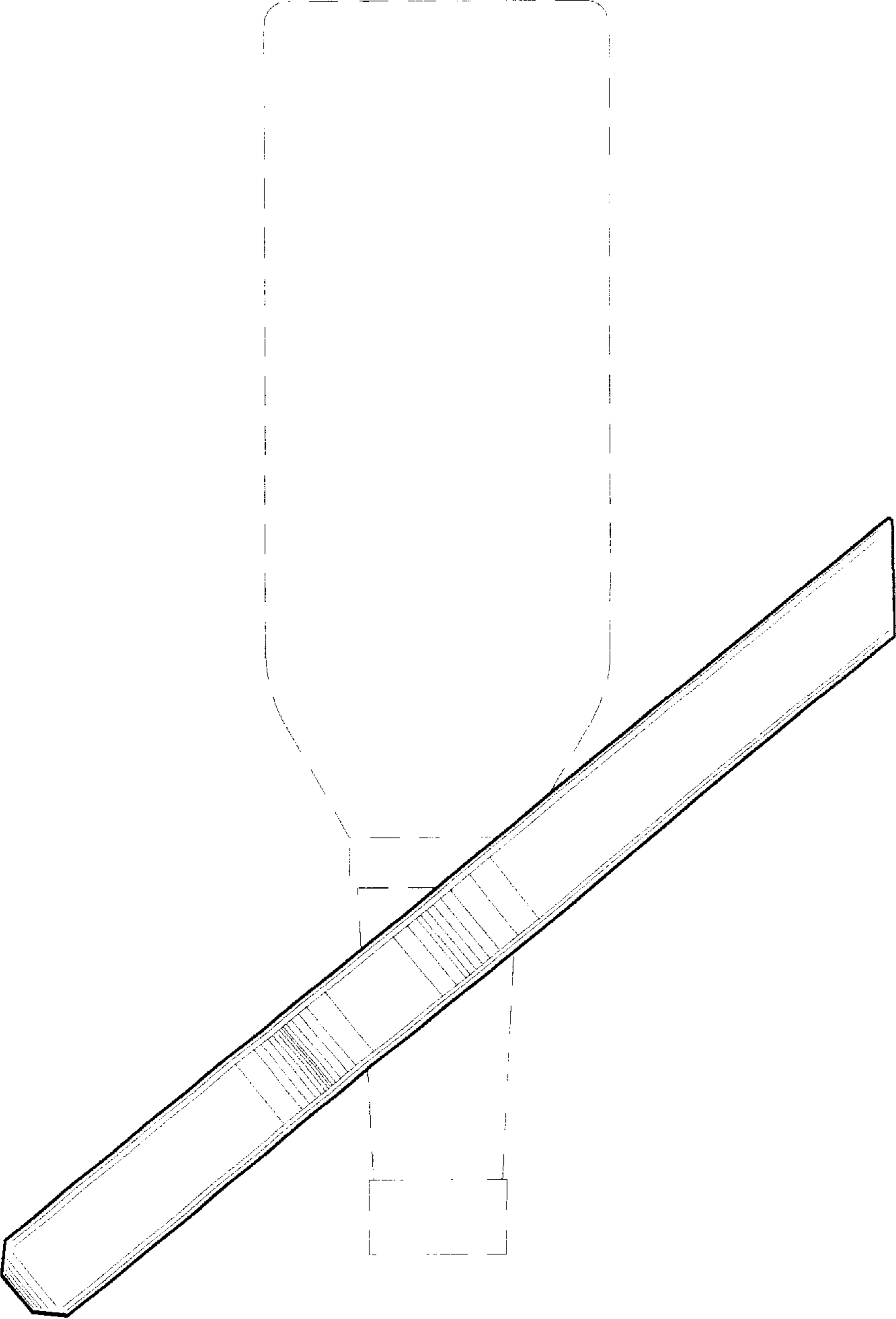


FIG. 2

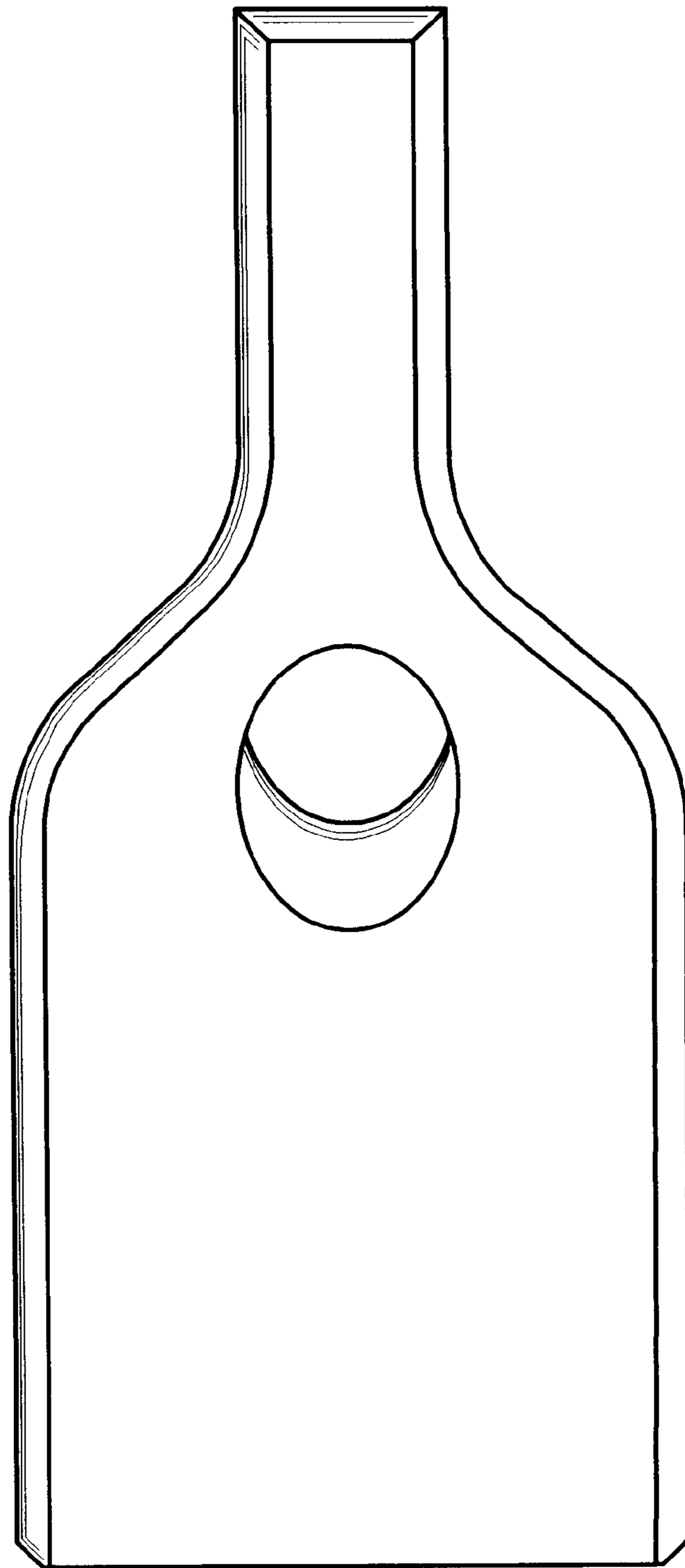


FIG. 3