



US00D527584S

(12) **United States Design Patent**
Hayes et al.

(10) **Patent No.:** **US D527,584 S**

(45) **Date of Patent:** **** *Sep. 5, 2006**

(54) **BOWL**

(75) Inventors: **Thomas J. Hayes**, McHenry, IL (US);
Scott D. Brown, Winthrop Harbor, IL (US)

(73) Assignee: **Pactiv Corporation**, Lake Forest, IL (US)

(*) Notice: This patent is subject to a terminal disclaimer.

(**) Term: **14 Years**

(21) Appl. No.: **29/207,864**

(22) Filed: **Jun. 18, 2004**

Related U.S. Application Data

(63) Continuation-in-part of application No. 10/277,303, filed on Oct. 22, 2002, now Pat. No. 6,886,704.

(51) **LOC (8) Cl.** **07-01**

(52) **U.S. Cl.** **D7/570; D7/545; D7/565; D7/588; D7/584**

(58) **Field of Classification Search** D7/571, D7/554.2, 545, 562, 565, 566, 568, 570, 572, D7/584, 585, 588, 551.1, 586, 582, 396.5, D7/610, 396.1, 608, 602, 359; 220/642, 657, 220/573.1, 781, 573, 574, 575, 780, 521, 220/405, 23.6, 604, 4.21, 4.29, 4.23, 4.26, 220/574.3, 495.06, 783; 206/457, 217, 19, 206/557, 223, 541, 508, 509, 515; 426/120; 229/406, 407, 123.1, 122.34; 215/6, 227, 215/232; 428/84, 35.7, 36.5, 66.7; D18/24; D9/428, 416, 426, 425, 429; 126/275 R
See application file for complete search history.

(56) **References Cited**

U.S. PATENT DOCUMENTS

D39,588 S * 9/1908 Straker, Jr. D7/396.5
D78,661 S * 5/1929 Simmons D7/585
2,125,793 A * 8/1938 Linderman 220/574
RE20,934 E * 12/1938 Collins 220/574.3

2,260,651 A 10/1941 Annen
2,720,332 A 10/1955 Holt
2,738,915 A 3/1956 St. Clair
2,798,631 A 7/1957 Engel
2,986,300 A 5/1961 Parrish

(Continued)

FOREIGN PATENT DOCUMENTS

BE 740346 10/1969
DE 2349382 4/1975
JP 41-29239 9/1941
JP 50-34641 8/1950
JP 48-7205 2/1973
JP 51-81203 6/1976
JP 58-3456 1/1983
JP 59-11852 4/1984
JP 63-34069 3/1988
JP 63-62315 4/1988
JP 64-20462 2/1989
JP 2269665 11/1990
JP 8053148 2/1996
JP 11059711 3/1999
JP 2001002045 1/2001
JP 2002166951 6/2002
JP 30-0308474 9/2002

OTHER PUBLICATIONS

PCT International Search Report for International Application No. PCT/US03/33373, dated Mar. 19, 2004 (4 pages). English translation of Belgian Patent No. 740,346 dated Oct. 16, 1969 (8 pages).

Primary Examiner—M. N. Pandozzi
(74) *Attorney, Agent, or Firm*—Jenkins & Gilchrist

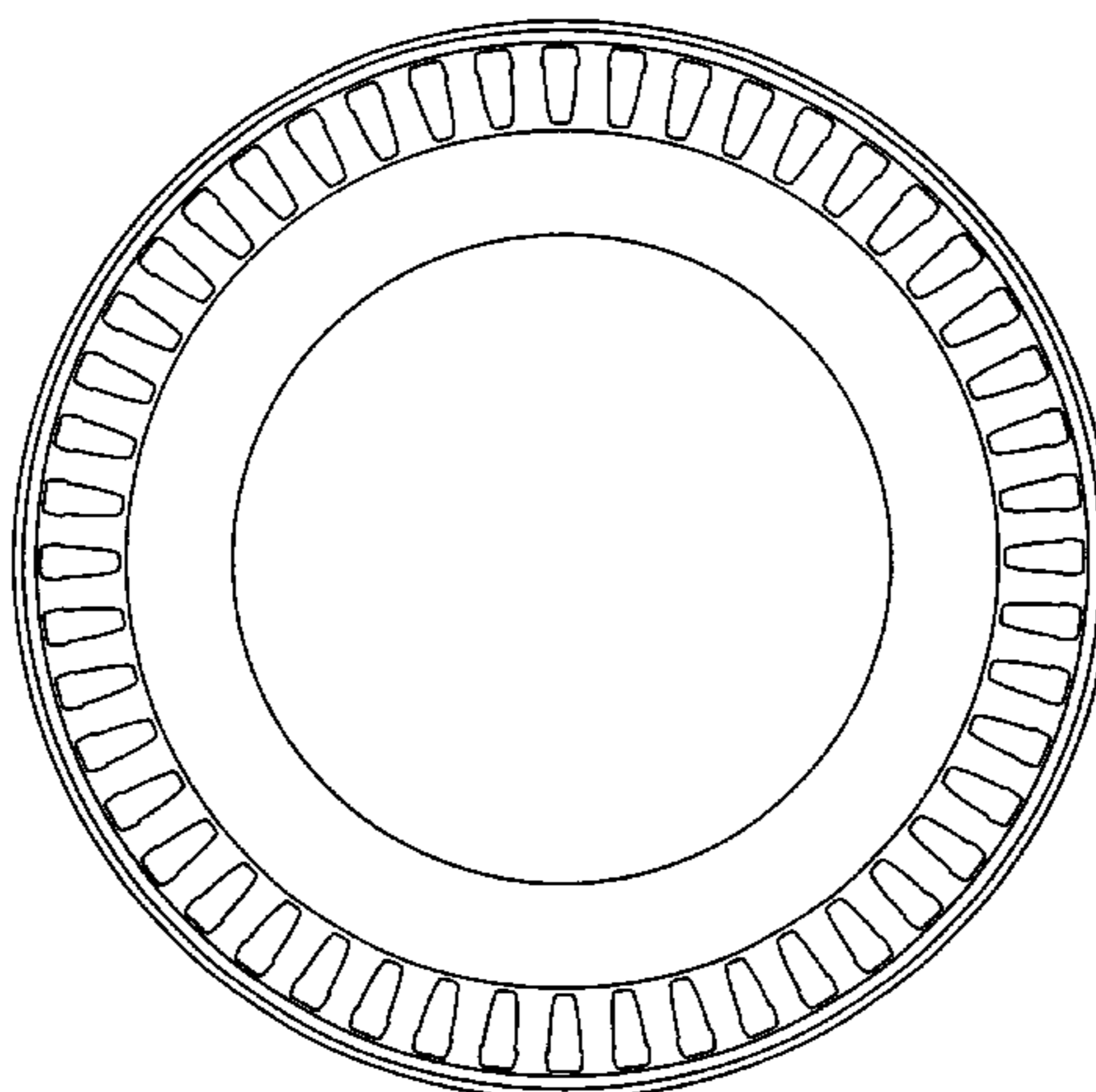
(57) **CLAIM**

The ornamental design for a bowl, as shown and described.

DESCRIPTION

FIG. 1 is a top plan view of a bowl.
FIG. 2 is a side elevational view of the bowl of FIG. 1, the opposite side and ends being identical thereto.
FIG. 3 is a bottom plan view of the bowl of FIG. 1; and,
FIG. 4 is a perspective view of the bowl of FIG. 1.

1 Claim, 2 Drawing Sheets



US D527,584 S

| U.S. PATENT DOCUMENTS | | | | | |
|-----------------------|----------|-------------------------------|-----------------|-----------|--------------------------------|
| | | | | | |
| 2,999,611 A | 9/1961 | Paulson | 4,819,824 A | 4/1989 | Longbottom et al. 220/266 |
| 3,007,602 A | 11/1961 | Frank | 4,838,444 A | 6/1989 | Bitel 220/4 |
| 3,049,259 A | 8/1962 | Mazzi et al. | 4,854,472 A | 8/1989 | Semersky 220/306 |
| 3,097,780 A | * 7/1963 | Witmer 220/574 | 4,856,707 A | 8/1989 | Lorenz |
| D214,283 S | * 5/1969 | Takeka D7/585 | 4,878,595 A | 11/1989 | Uhlig 220/306 |
| 3,459,356 A | 8/1969 | Sparks | 4,890,740 A | 1/1990 | Tabler 206/509 |
| 3,520,440 A | 7/1970 | Kinnavy et al. | 4,930,636 A | 6/1990 | Meadows 206/503 |
| 3,565,146 A | 2/1971 | Arnolds | 4,971,774 A | 11/1990 | Schwanke et al. 422/310 |
| 3,572,413 A | 3/1971 | Livingstone | 4,974,738 A | 12/1990 | Kidd et al. |
| 3,620,403 A | 11/1971 | Rump | 5,036,980 A | 8/1991 | Vigue et al. 206/515 |
| 3,664,538 A | 5/1972 | Fioretti | 5,042,674 A | 8/1991 | Ramsay et al. 220/4.24 |
| 3,720,365 A | * 3/1973 | Unger 229/406 | 5,060,851 A | 10/1991 | Lorenz |
| D227,639 S | * 7/1973 | Elcholz D7/585 | 5,069,354 A | 12/1991 | Tannenbaum 220/4.22 |
| 3,902,540 A | 9/1975 | Commisso | 5,097,977 A | 3/1992 | Straub 220/307 |
| 3,933,295 A | 1/1976 | Congleton | 5,161,711 A | 11/1992 | Picozza et al. 220/282 |
| 3,938,726 A | 2/1976 | Holden, Jr. et al. | 5,170,905 A | 12/1992 | Luch 220/276 |
| 3,938,727 A | 2/1976 | Andersson | 5,181,626 A | 1/1993 | Daenen et al. 220/282 |
| 3,982,651 A | 9/1976 | Braun et al. | D334,323 S | * 3/1993 | Rohrbeck D7/554.2 |
| 4,014,450 A | 3/1977 | Girotti et al. | D338,136 S | * 8/1993 | Melamed et al. D7/586 |
| 4,114,668 A | 9/1978 | Hickey | D339,741 S | 9/1993 | Lorenz |
| 4,124,141 A | 11/1978 | Armentrout et al. | 5,265,749 A | 11/1993 | Zutler 220/4.24 |
| D250,928 S | * 1/1979 | Franklin D7/555 | 5,273,174 A | 12/1993 | Fisher |
| D250,930 S | * 1/1979 | Franklin D7/565 | 5,303,839 A | 4/1994 | Blumenschein 220/306 |
| 4,149,578 A | 4/1979 | Hickey | 5,310,070 A | 5/1994 | Haas et al. 220/4.24 |
| 4,171,062 A | 10/1979 | Allen et al. | 5,332,114 A | 7/1994 | Sano et al. 220/4.24 |
| 4,180,179 A | 12/1979 | Hoenig et al. | 5,356,023 A | 10/1994 | Krupa 220/4.24 |
| 4,195,746 A | 4/1980 | Cottrell | 5,377,860 A | 1/1995 | Littlejohn et al. 220/306 |
| 4,201,301 A | 5/1980 | Aggio | 5,379,934 A | 1/1995 | Lorenz |
| 4,201,311 A | 5/1980 | Underwood | 5,388,714 A | 2/1995 | Zutler 220/4.24 |
| 4,238,047 A | 12/1980 | Helms et al. | 5,390,807 A | 2/1995 | Galaburda 220/4.24 |
| 4,266,689 A | 5/1981 | Asher | 5,437,386 A | 8/1995 | Von Holdt 220/306 |
| 4,294,371 A | 10/1981 | Davis | 5,437,388 A | 8/1995 | Bartelt et al. |
| 4,307,817 A | 12/1981 | Cotroneo | 5,605,231 A | 2/1997 | Borsboom et al. 206/551 |
| 4,334,631 A | 6/1982 | Ballester | 5,634,559 A | 6/1997 | Foos et al. 206/518 |
| 4,350,263 A | 9/1982 | Hoffman | 5,666,875 A | 9/1997 | Wener 99/422 |
| 4,360,118 A | 11/1982 | Stern | 5,785,203 A | 7/1998 | Arshinoff et al. 220/783 |
| 4,362,265 A | 12/1982 | Williams | 5,875,918 A | 3/1999 | Sheffler 220/783 |
| 4,378,895 A | 4/1983 | Woinarski | 5,992,679 A | 11/1999 | Porchia et al. 220/782 |
| 4,388,998 A | 6/1983 | Underwood et al. 220/307 | 6,021,917 A | 2/2000 | Lovell et al. 220/782 |
| 4,394,922 A | 7/1983 | Wimmer 215/300 | 6,029,803 A | 2/2000 | Ovadia et al. |
| 4,397,404 A | 8/1983 | Blanchette 220/306 | D424,934 S | * 5/2000 | McCann D9/428 |
| 4,446,986 A | 5/1984 | Bowen et al. 220/307 | D432,417 S | * 10/2000 | McCann D9/428 |
| 4,457,432 A | 7/1984 | Solheim 206/503 | 6,250,494 B1 | 6/2001 | Diamond 220/783 |
| 4,458,825 A | 7/1984 | Holota 220/307 | 6,260,723 B1 | 7/2001 | Bergholtz 215/344 |
| 4,487,326 A | 12/1984 | Uhlig 215/307 | 6,491,185 B1 | 12/2002 | Azzarello et al. 220/783 |
| 4,520,943 A | 6/1985 | Nielsen 220/281 | 6,715,630 B1 | * 4/2004 | Littlejohn et al. 220/573 |
| 4,524,882 A | 6/1985 | Buc 220/306 | D504,282 S | * 4/2005 | McMullin D7/545 |
| 4,555,043 A | 11/1985 | Bernhardt 220/306 | 2002/0175164 A1 | 11/2002 | Dees et al. |
| 4,664,254 A | 5/1987 | Sitwell et al. 206/1.7 | 2002/0179612 A1 | * 12/2002 | Toussant 220/574 |
| 4,741,434 A | 5/1988 | Liebman 206/38 | 2003/0057207 A1 | 3/2003 | Wong |
| 4,765,500 A | 8/1988 | Ingram 220/4 | 2004/0074902 A1 | 4/2004 | Hayes et al. |
| 4,811,550 A | 3/1989 | Hautemont 53/478 | 2004/0222228 A1 | * 11/2004 | Price 220/574 |

* cited by examiner

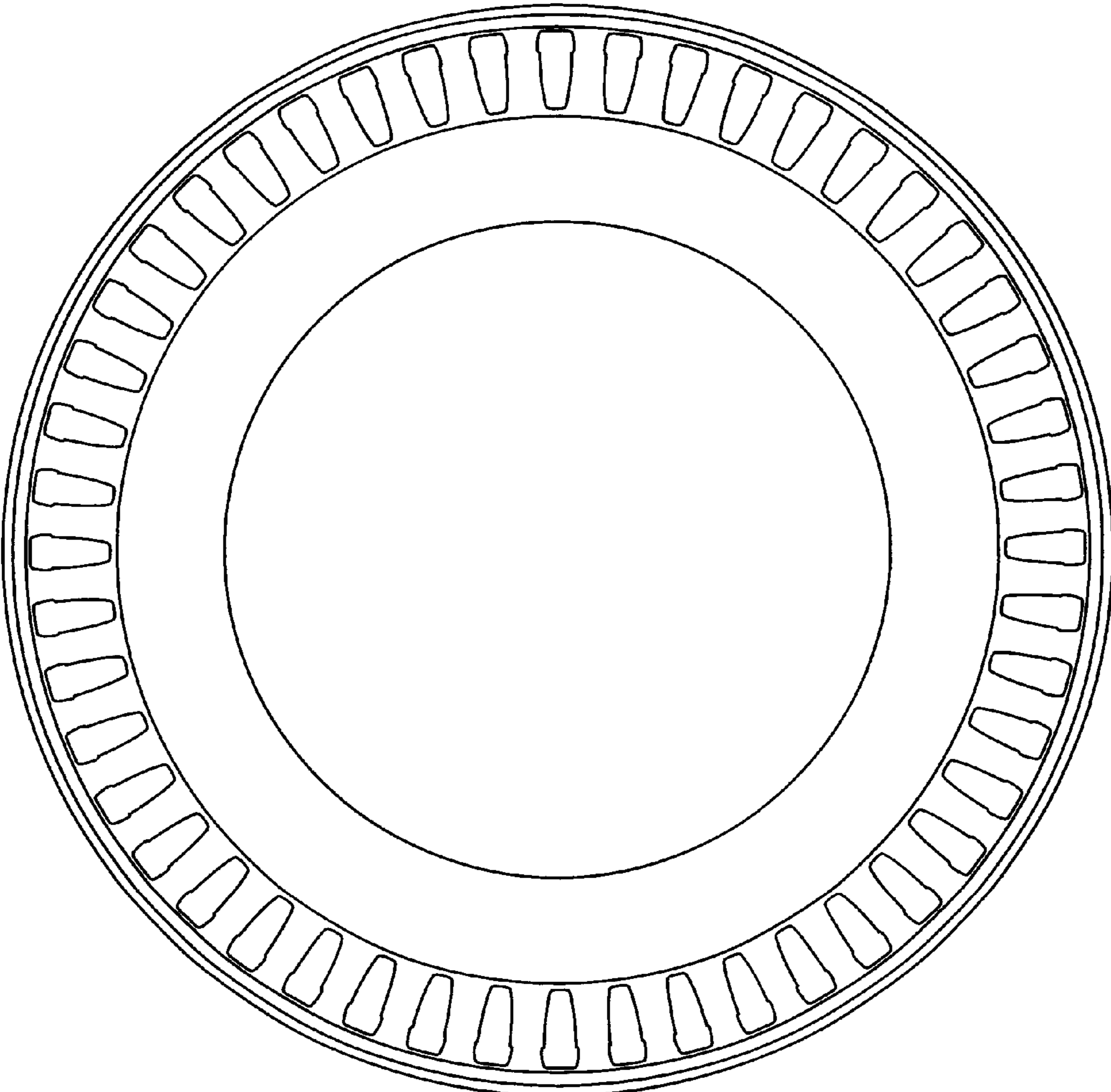


Fig.1

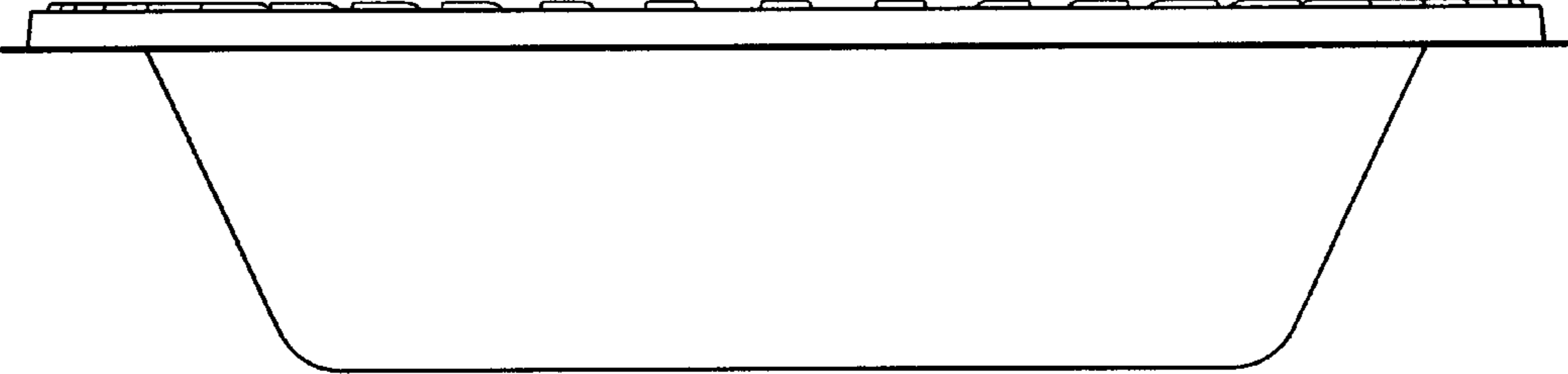


Fig.2

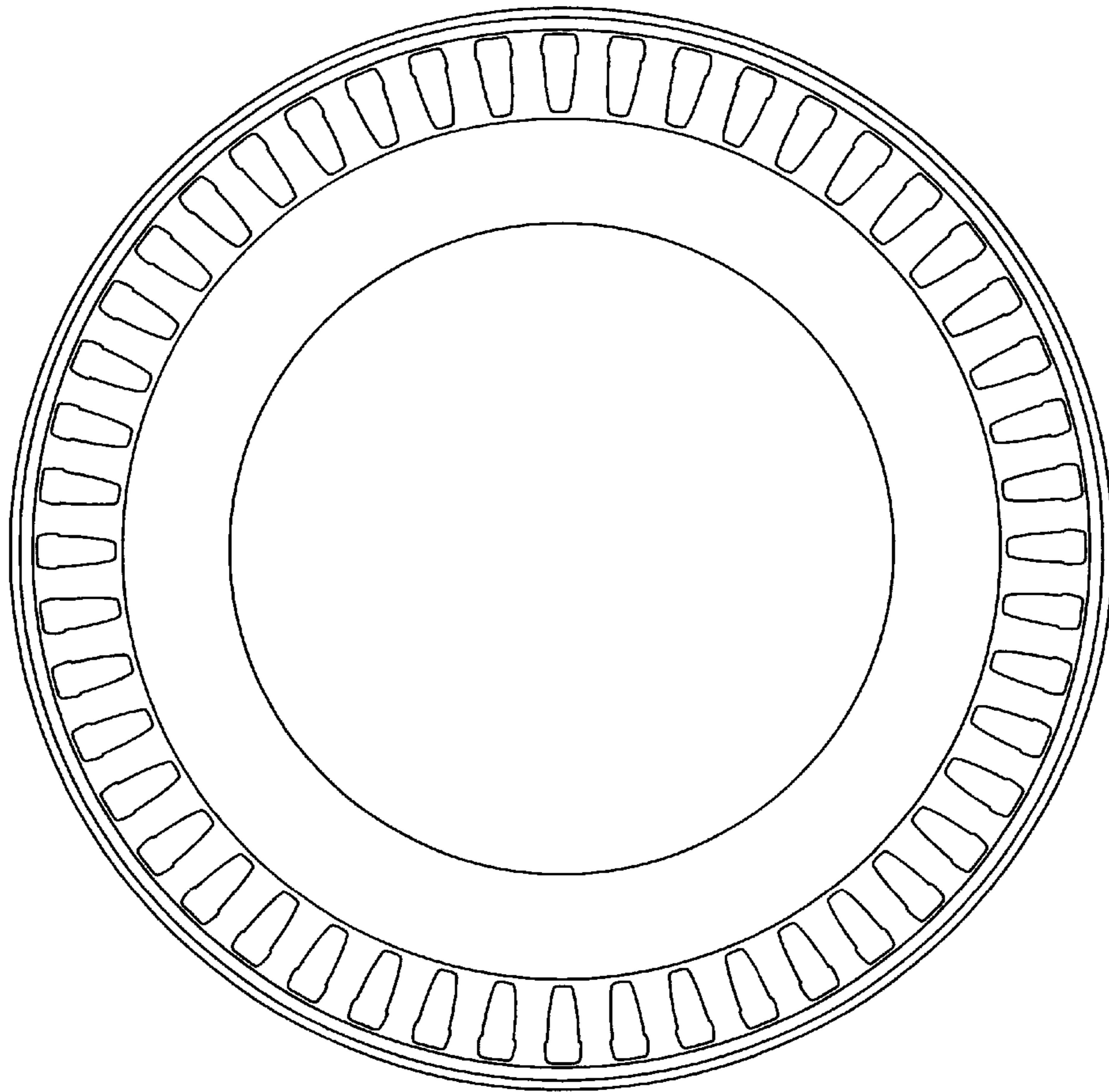


Fig.3

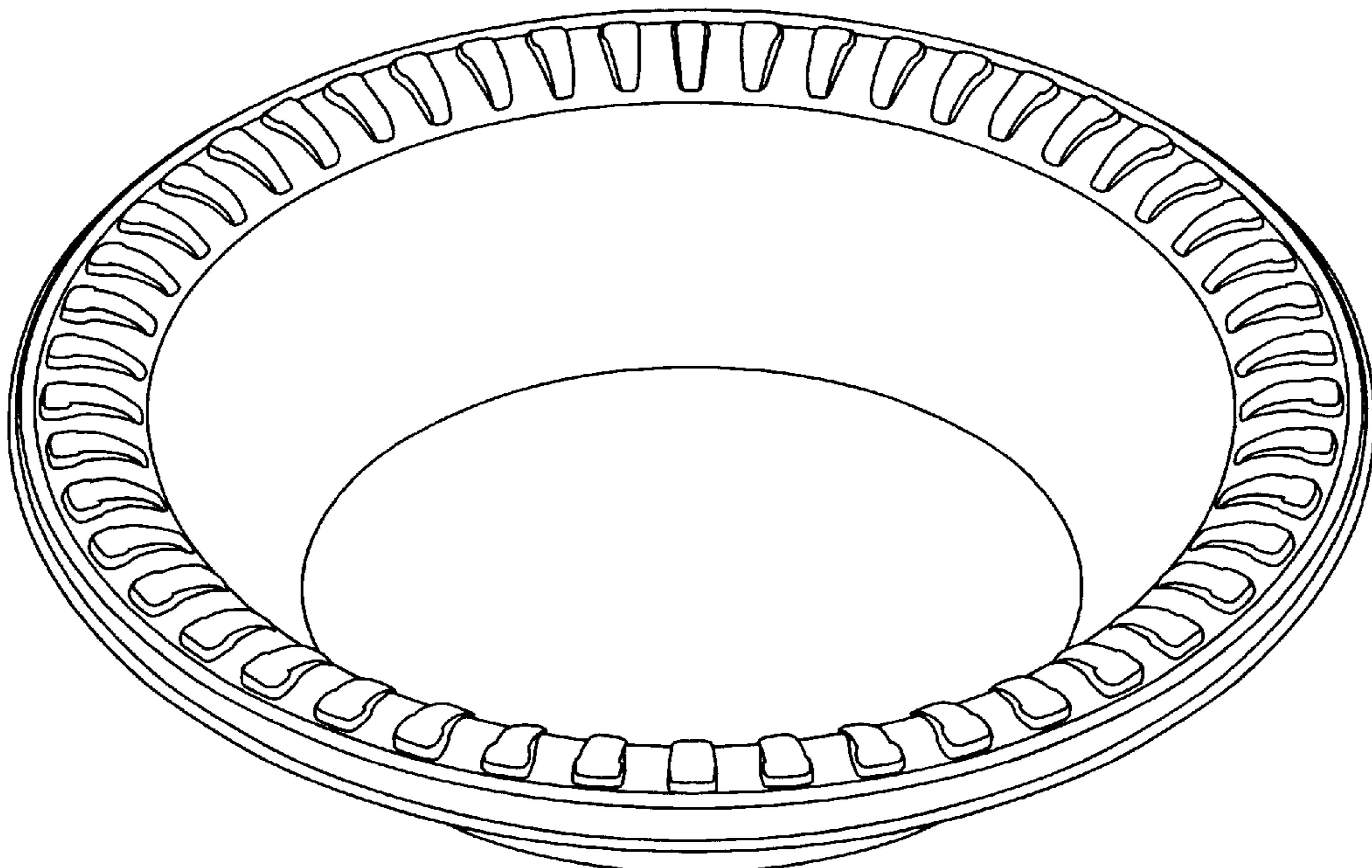


Fig.4