

US00D527577S

(12) **United States Design Patent**  
**Magnouloux**

(10) **Patent No.:** **US D527,577 S**

(45) **Date of Patent:** **\*\* Sep. 5, 2006**

(54) **SIDE HANDLE FOR COOKING UTENSIL**

(75) Inventor: **Guy Magnouloux**, Annecy (FR)

(73) Assignee: **Tefal**, Rumilly (FR)

(\*\*) Term: **14 Years**

(21) Appl. No.: **29/219,262**

(22) Filed: **Dec. 14, 2004**

(30) **Foreign Application Priority Data**

Jun. 21, 2004 (FR) ..... 04 3072

(51) **LOC (8) Cl.** ..... **07-02**

(52) **U.S. Cl.** ..... **D7/393**

(58) **Field of Classification Search** ..... D7/354-361,  
D7/393-395, 401.2; D8/107, 300, 301, 307;  
D4/138, 129; 16/430, 431, 110.1, 407; 220/573.1-573.5,  
220/752, 753, 755, 756, 912  
See application file for complete search history.

(56) **References Cited**

**U.S. PATENT DOCUMENTS**

D174,223 S \* 3/1955 Howle ..... D7/393  
D281,050 S \* 10/1985 Cesaroni et al. .... D7/360  
D377,581 S \* 1/1997 Rohrer ..... D7/393

D395,376 S \* 6/1998 Montgelard ..... D7/393  
D410,817 S \* 6/1999 Brunianyn ..... D7/393  
D436,000 S \* 1/2001 Munari ..... D7/393  
D448,972 S \* 10/2001 Knorr ..... D7/393  
D461,092 S \* 8/2002 Coudurier ..... D7/393  
D482,565 S \* 11/2003 Knor ..... D7/393  
D487,212 S \* 3/2004 Park ..... D7/360

\* cited by examiner

*Primary Examiner*—Holly Baynham

*Assistant Examiner*—Cynthia M. Chin

(74) *Attorney, Agent, or Firm*—Harness, Dickey & Pierce,  
PLC

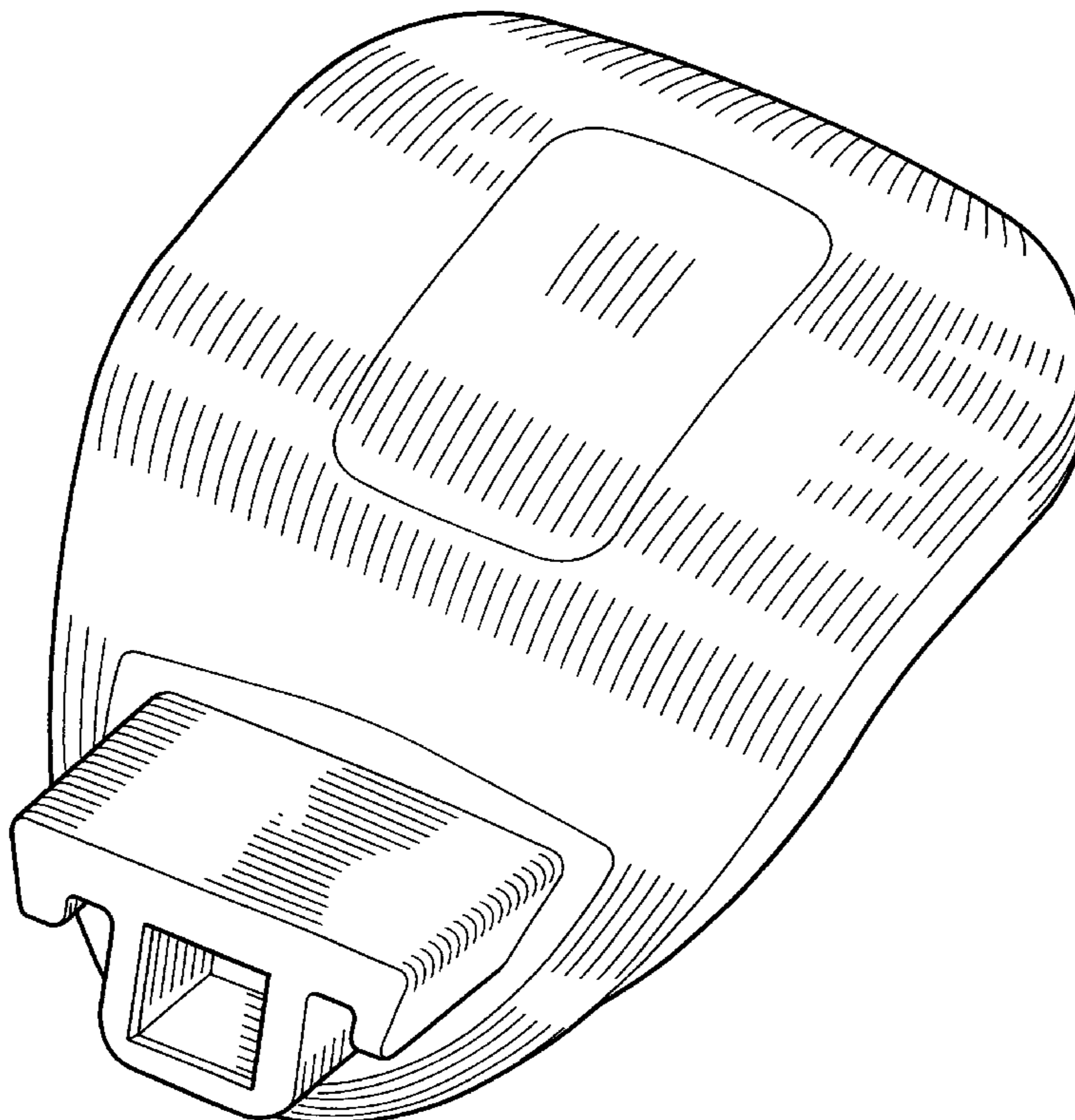
(57) **CLAIM**

The ornamental design for a side handle for cooking utensil, as shown and described.

**DESCRIPTION**

FIG. 1 is a perspective view;  
FIG. 2 is a front view;  
FIG. 3 is a rear view;  
FIG. 4 is a left side view;  
FIG. 5 is a right side view;  
FIG. 6 is a top view; and,  
FIG. 7 is a bottom view.

**1 Claim, 7 Drawing Sheets**



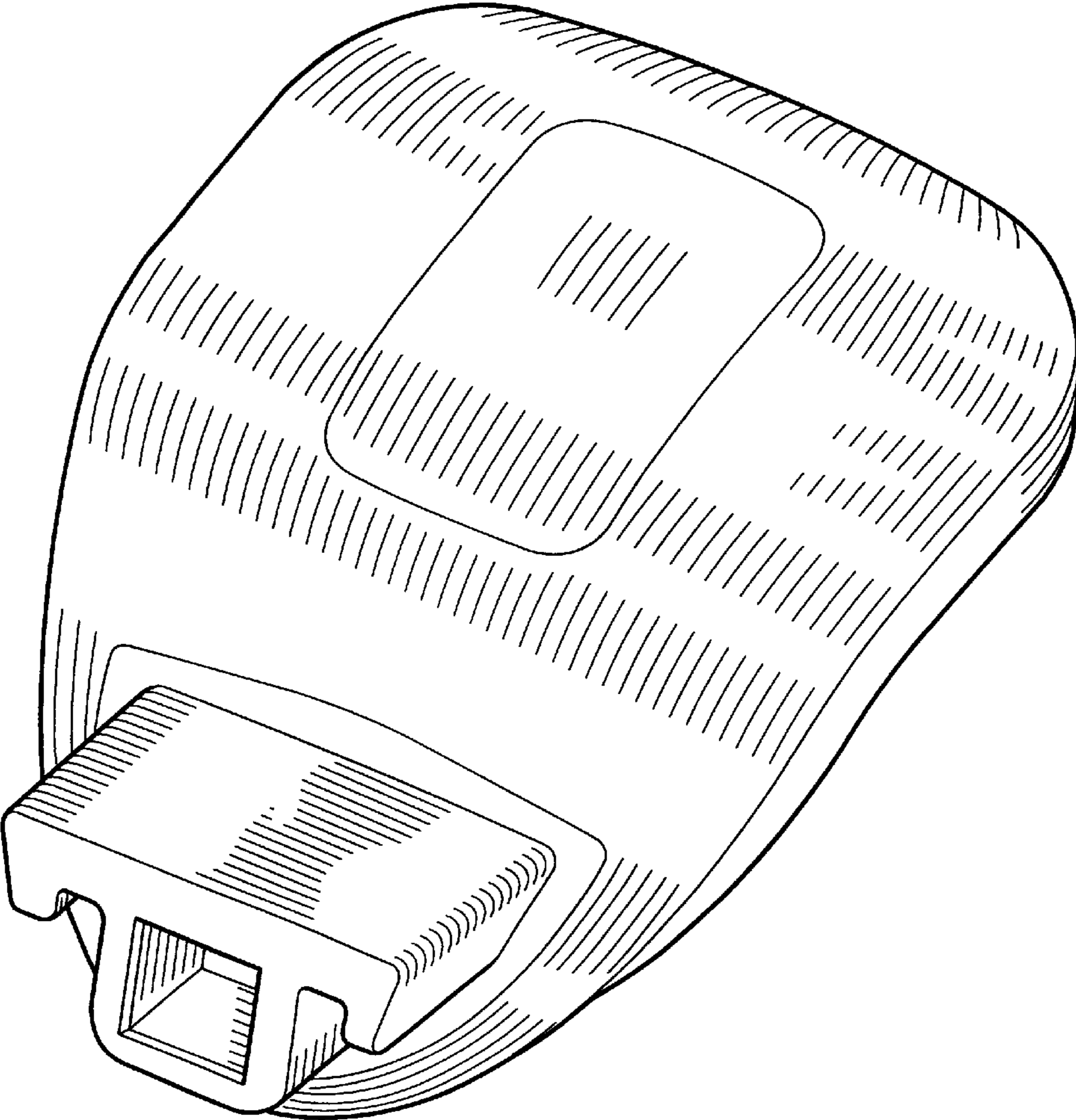


Fig. 1

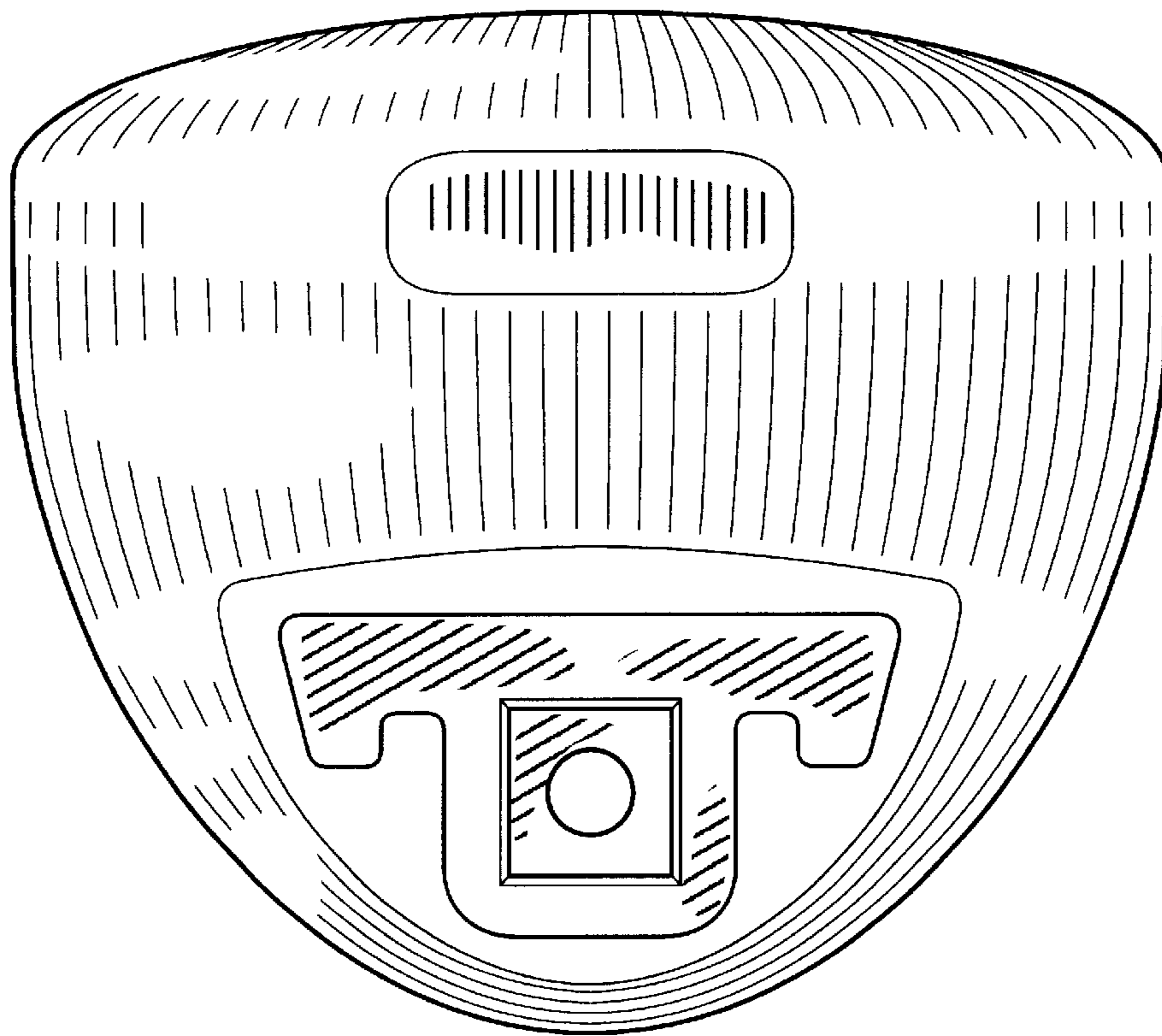


Fig. 2

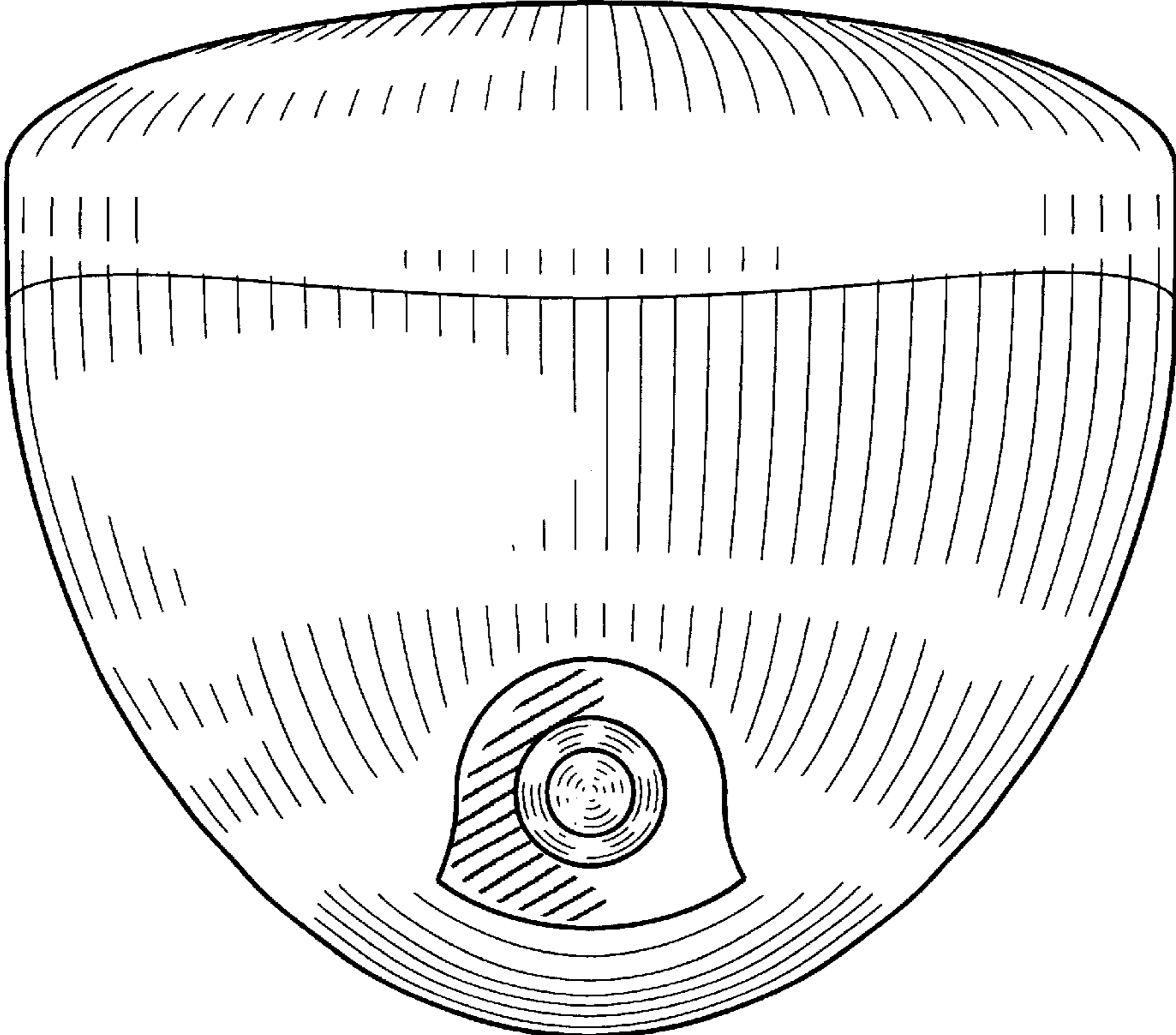


Fig. 3

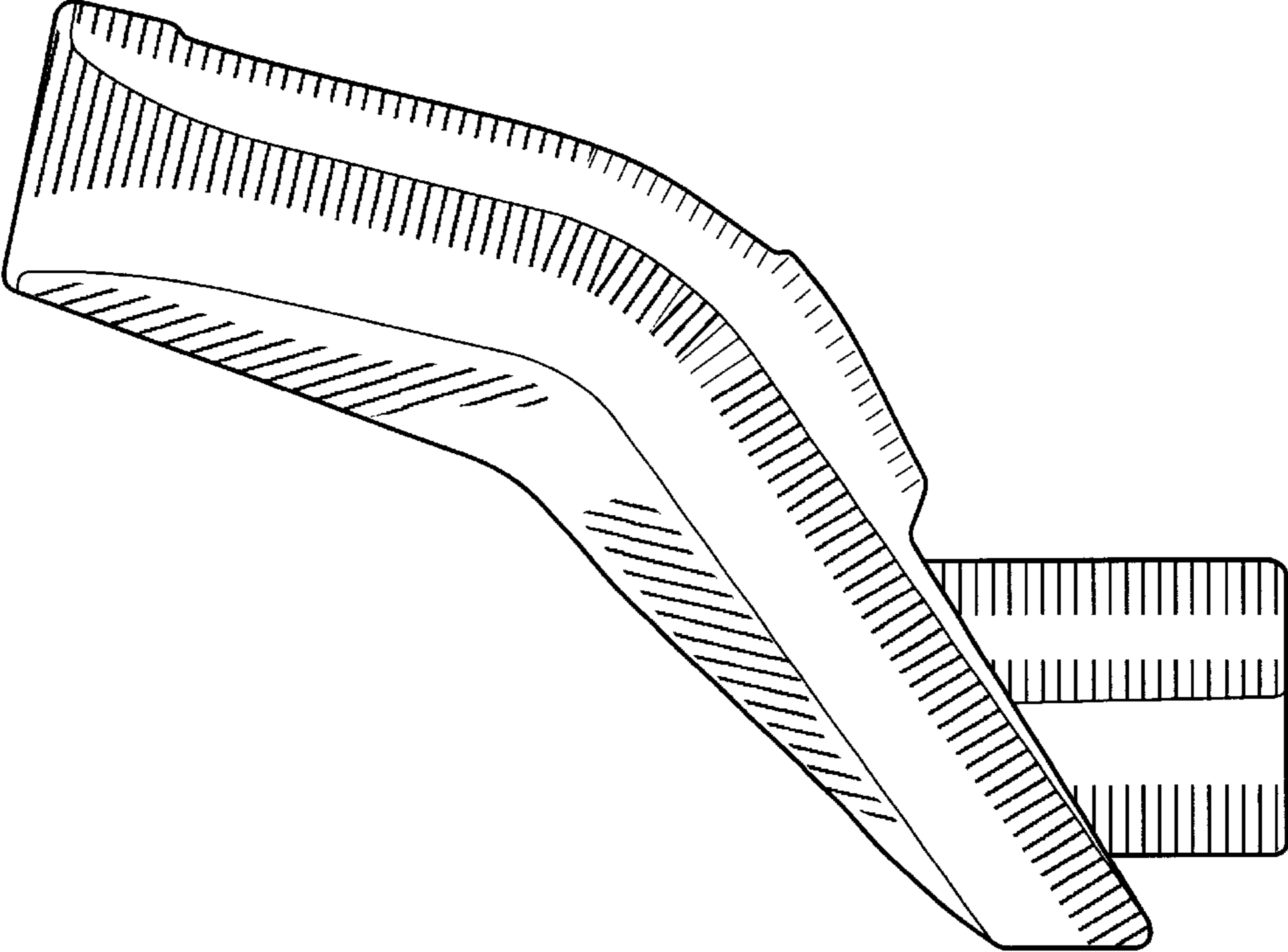


Fig. 4

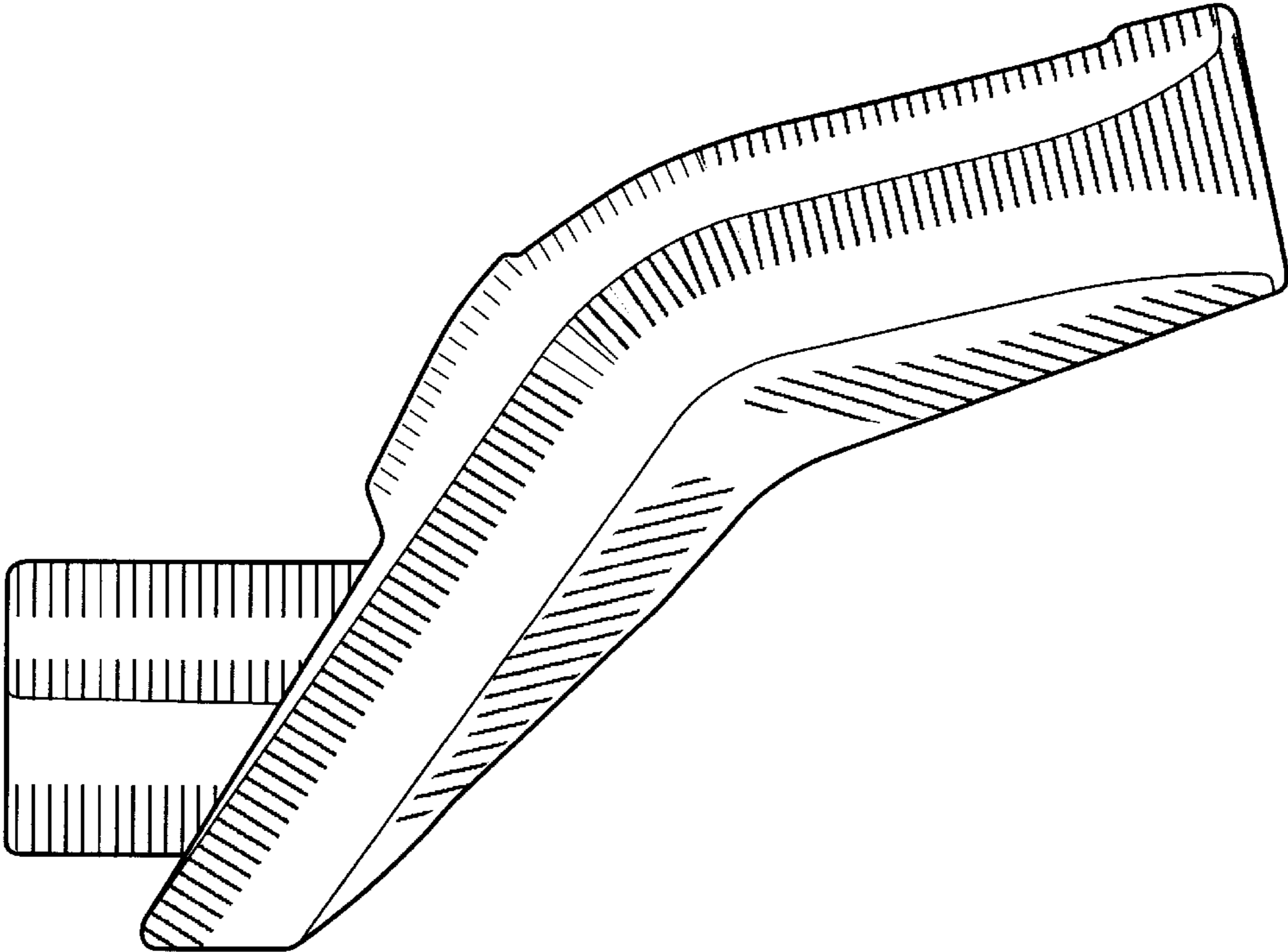


Fig. 5

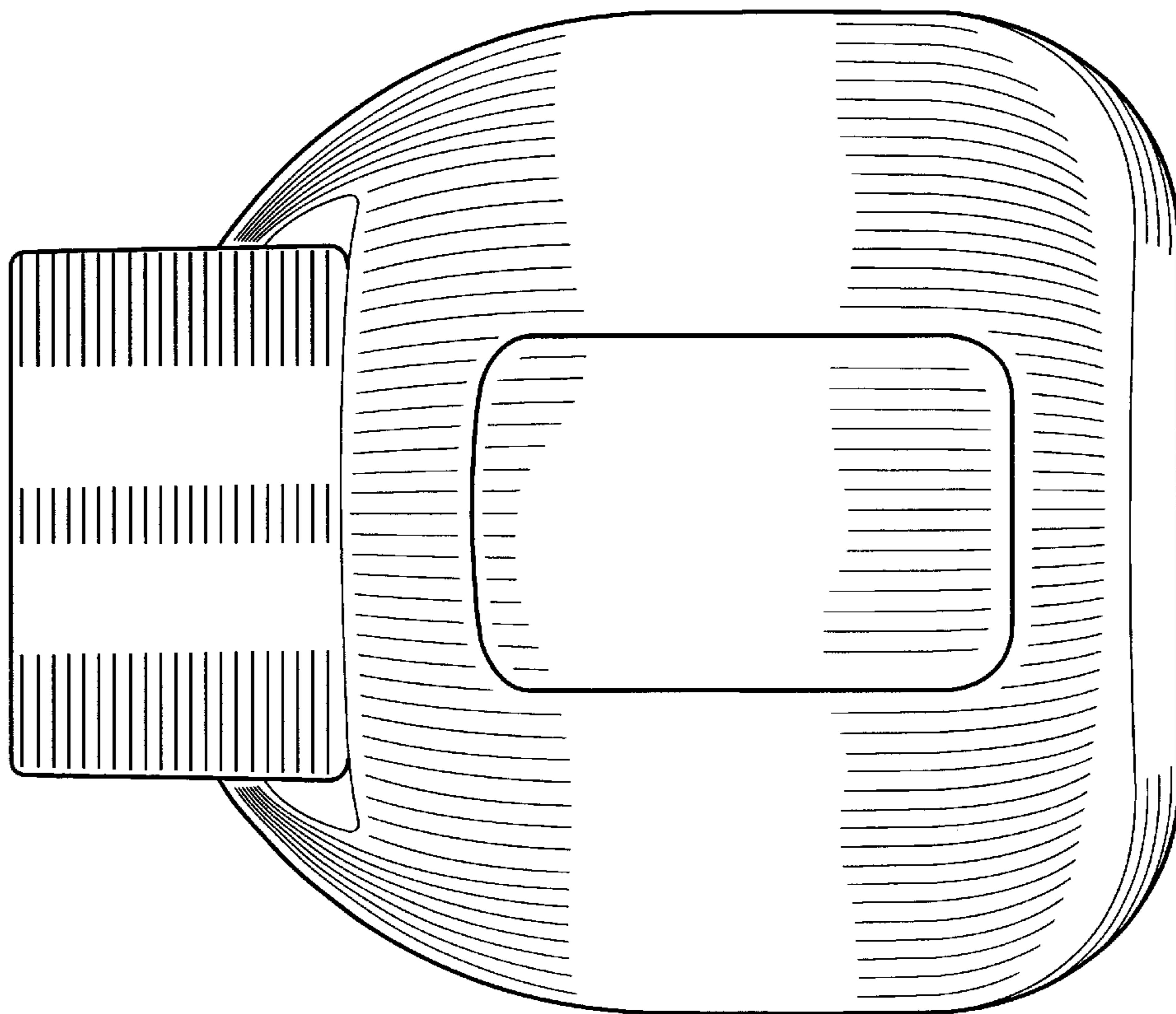


Fig. 6

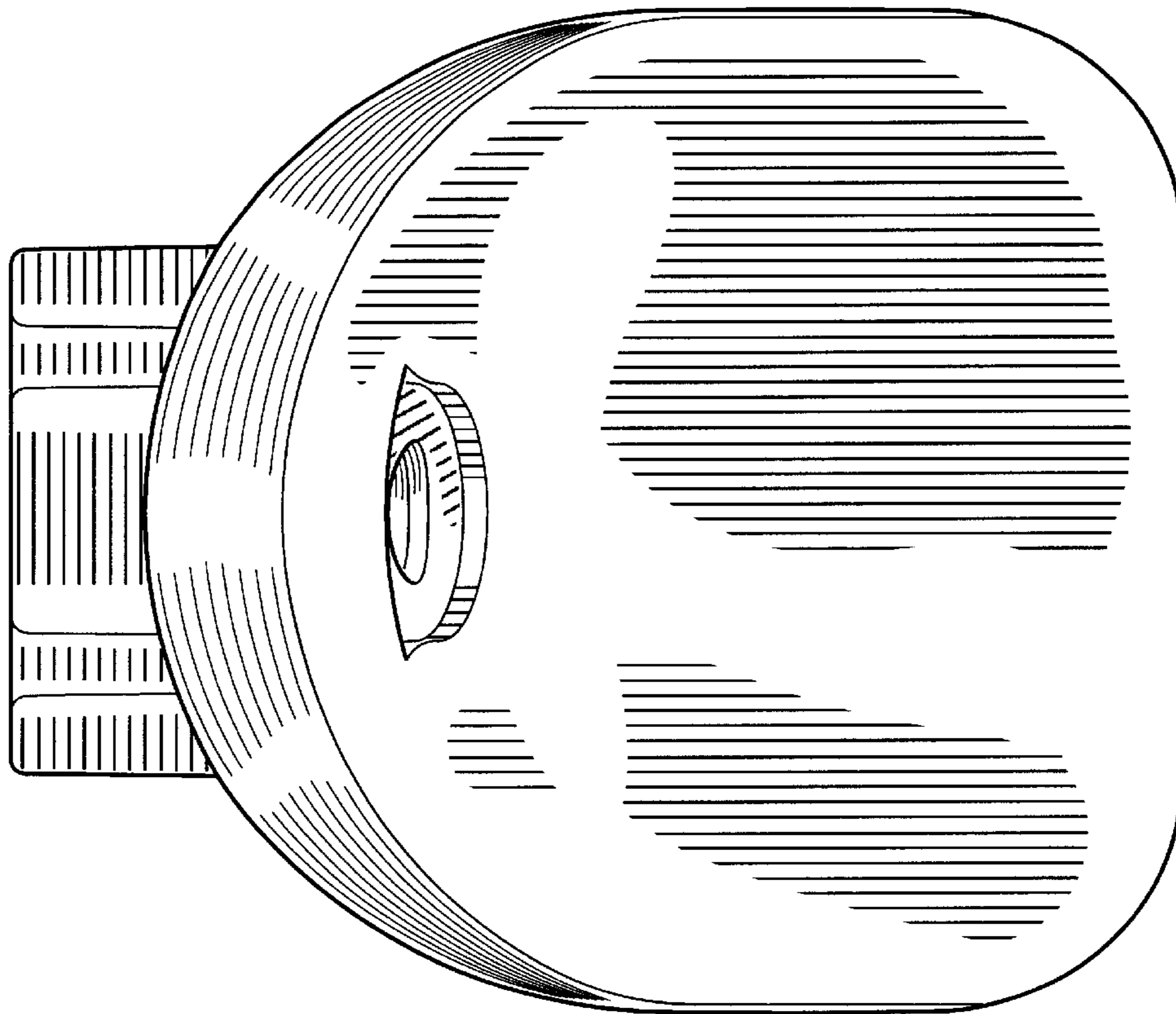


Fig. 7