



US00D527576S

(12) **United States Design Patent**
Gluck

(10) **Patent No.:** **US D527,576 S**

(45) **Date of Patent:** **** Sep. 5, 2006**

(54) **SPILL-PROOF LID**

(75) Inventor: **J. Robert Gluck**, New York, NY (US)

(73) Assignee: **Robert Gordon Industries, Ltd.**,
Lynbrook, NY (US)

(**) Term: **14 Years**

(21) Appl. No.: **29/217,242**

(22) Filed: **Nov. 16, 2004**

(51) **LOC (8) Cl.** **07-02**

(52) **U.S. Cl.** **D7/392.1**

(58) **Field of Classification Search** D7/317-319,
D7/391-392.1, 396.2, 510-511, 629; D9/435,
D9/440, 444, 447, 449-450, 454, 503-504;
215/211, 200, 224, 243; 220/700, 701, 703,
220/711, 713-715, 719

See application file for complete search history.

(56) **References Cited**

U.S. PATENT DOCUMENTS

D360,556 S	*	7/1995	DeCoster	D7/318
D415,651 S	*	10/1999	Trombly	D7/392.1
D416,436 S	*	11/1999	Miller	D7/391
D442,029 S	*	5/2001	Otake	D7/510
D507,934 S	*	8/2005	Featherston et al.	D7/510
D508,379 S	*	8/2005	Doliwa	D7/629

* cited by examiner

Primary Examiner—Holly Baynham

Assistant Examiner—Cynthia M. Chin

(74) *Attorney, Agent, or Firm*—Greenblum & Bernstein,
P.L.C.

(57) **CLAIM**

I claim the ornamental design for a spill-proof lid, as shown and described.

DESCRIPTION

FIG. 1 is a top perspective view of a first embodiment of a spill-proof lid;

FIG. 2 is a right side view of the design embodiment shown in FIG. 1;

FIG. 3 is a left side view of the design embodiment shown in FIG. 1;

FIG. 4 is a front view of the design embodiment shown in FIG. 1;

FIG. 5 is a back view of the design embodiment shown in FIG. 1;

FIG. 6 is a top view of the design embodiment shown in FIG. 1;

FIG. 7 is a bottom view of the design embodiment shown in FIG. 1;

FIG. 8 is a top perspective view of a second embodiment of a spill-proof lid;

FIG. 9 is a right side view of the design embodiment shown in FIG. 8;

FIG. 10 is a left side view of the design embodiment shown in FIG. 8;

FIG. 11 is a front view of the design embodiment shown in FIG. 8;

FIG. 12 is a back view of the design embodiment shown in FIG. 8;

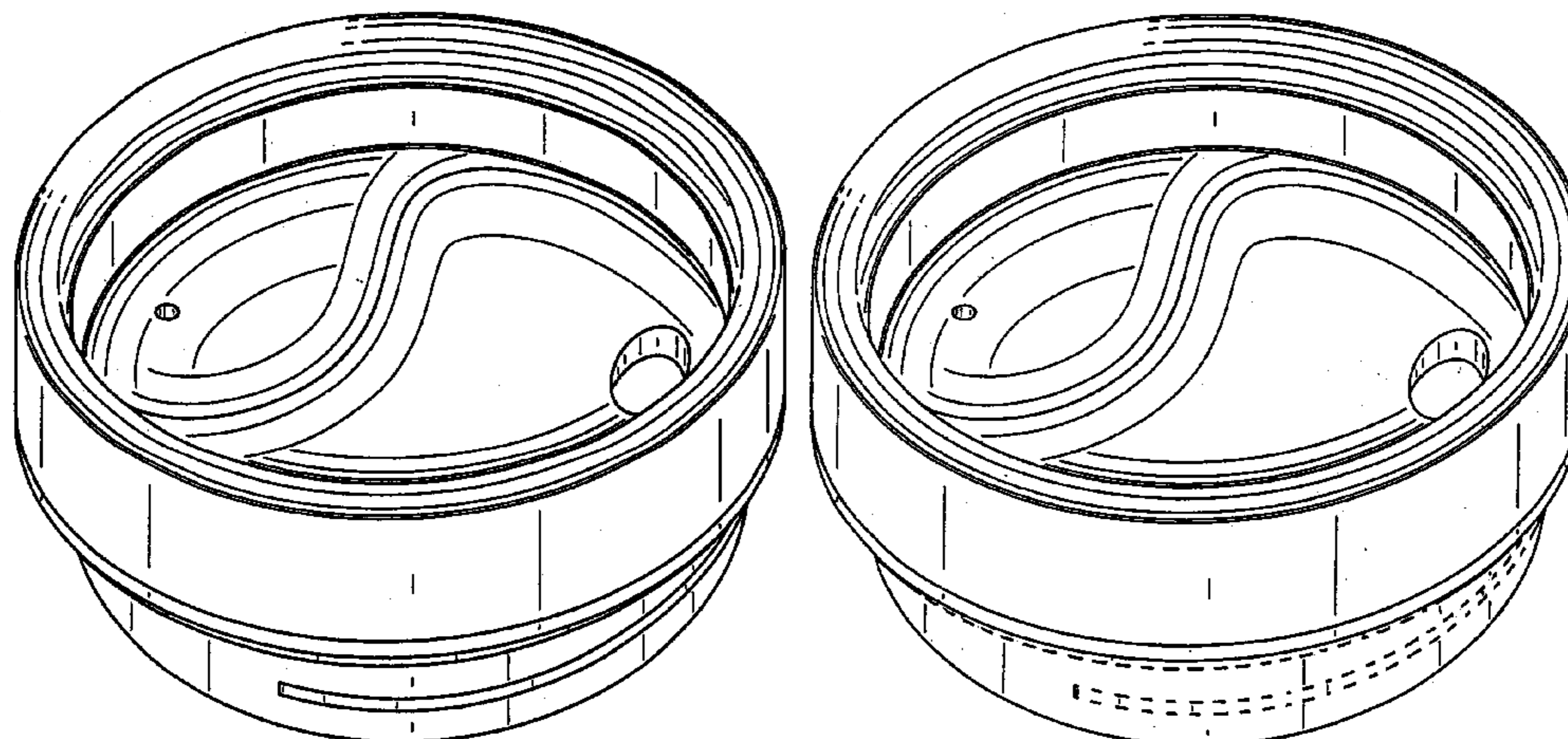
FIG. 13 is a top view of the design embodiment shown in FIG. 8; and,

FIG. 14 is a bottom view of the design embodiment shown in FIG. 8.

Applicant expressly reserves the right to modify FIGS. 1-14 to show in solid lines any the features shown in FIGS. 1-14 in dashed-lines; and to show in dashed-lines any the features shown in FIGS. 1-14 in solid lines.

The subject matter shown in dashed lines, and any surfaces of the design not shown, including interior surfaces, form no part of the claimed invention.

1 Claim, 14 Drawing Sheets



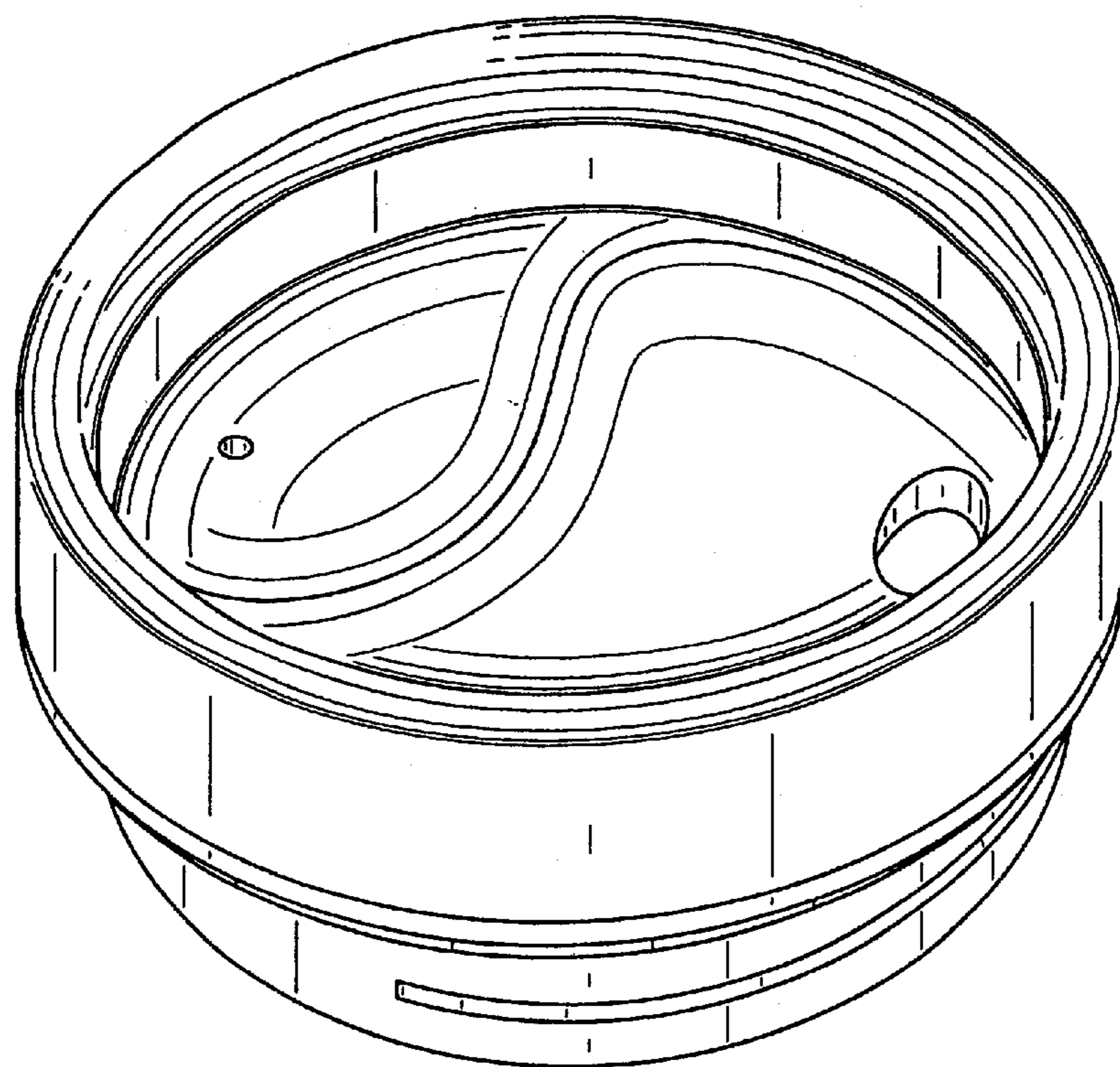


FIG. 1

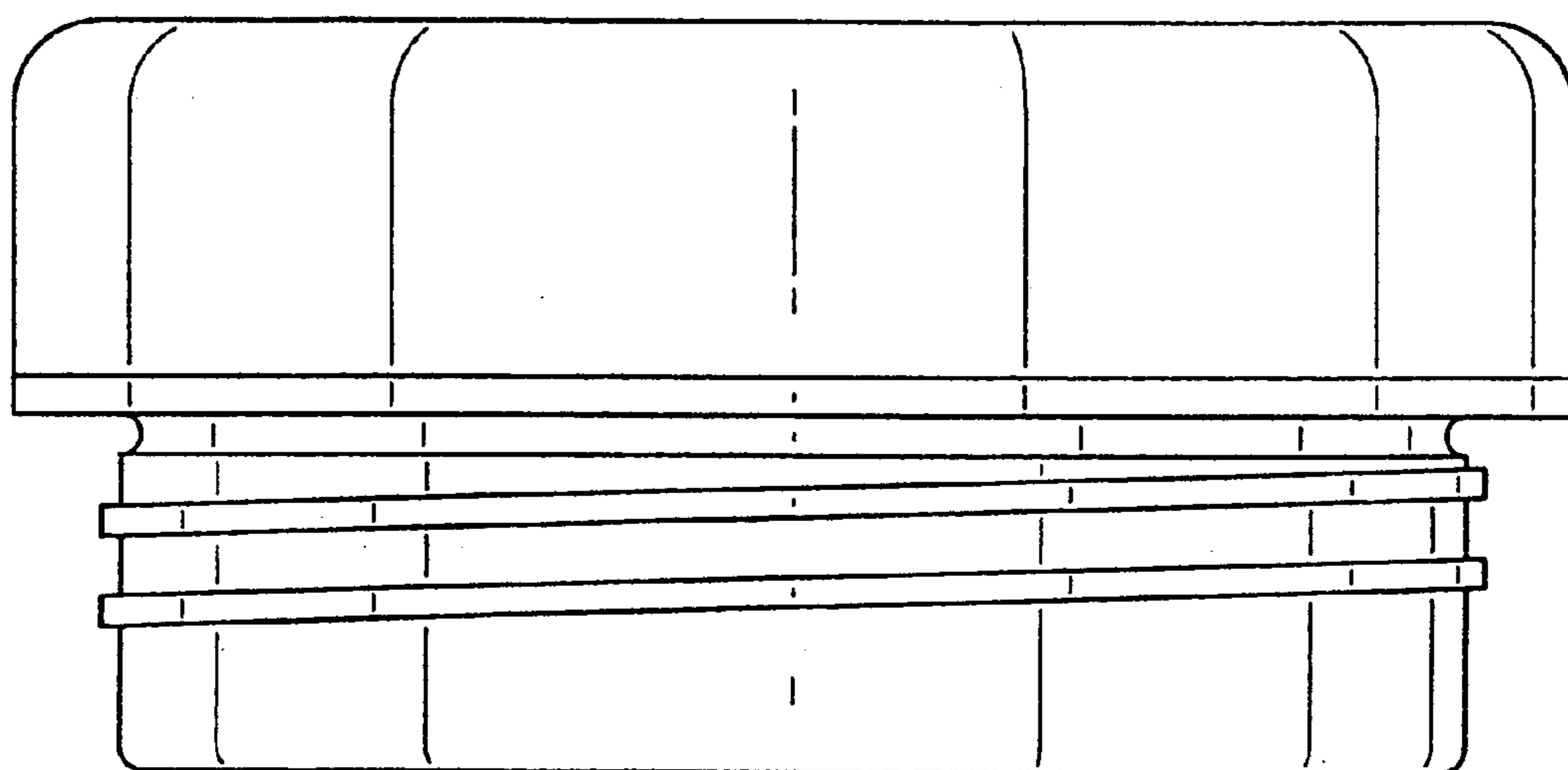


FIG. 2

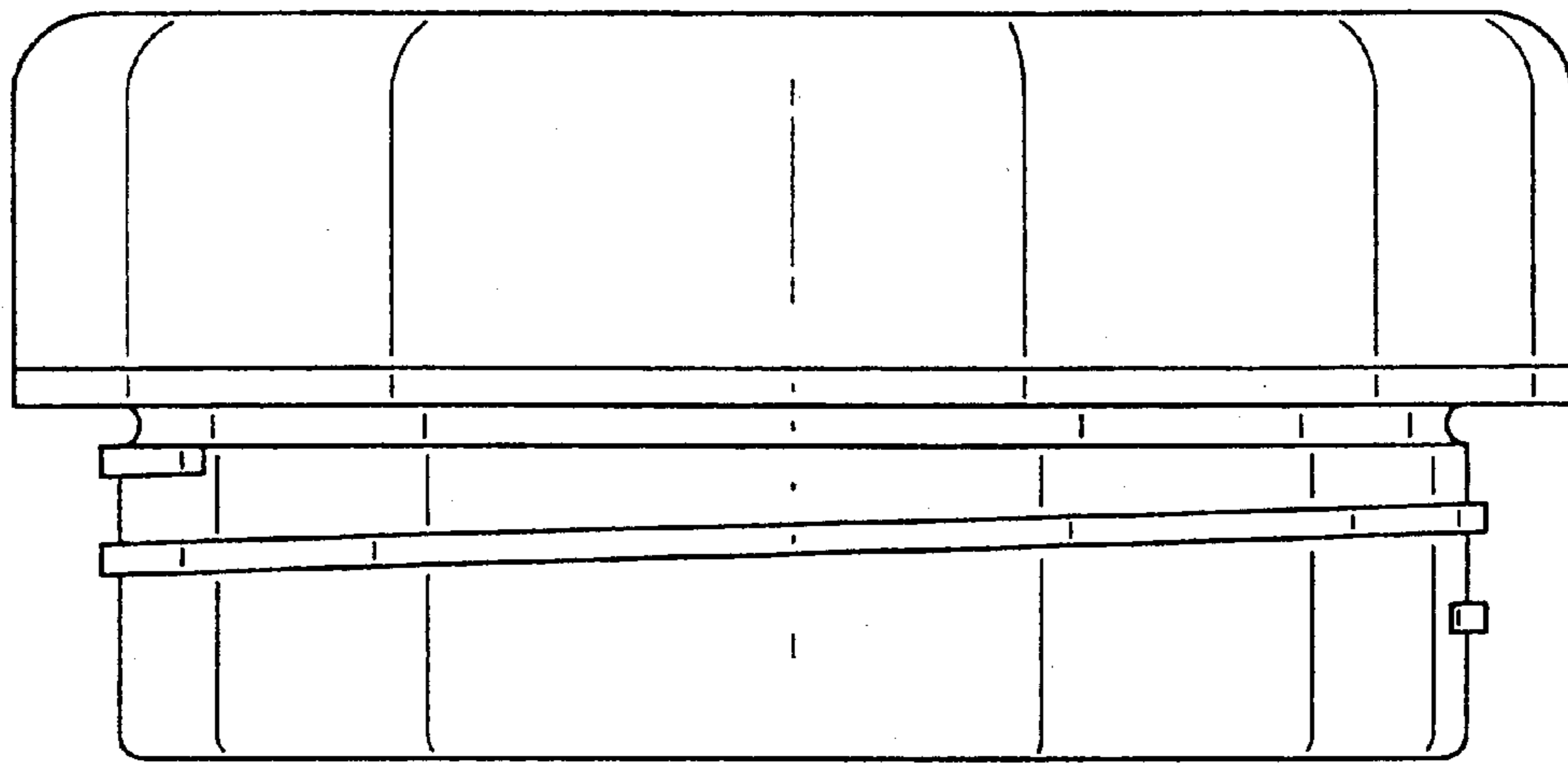


FIG. 3

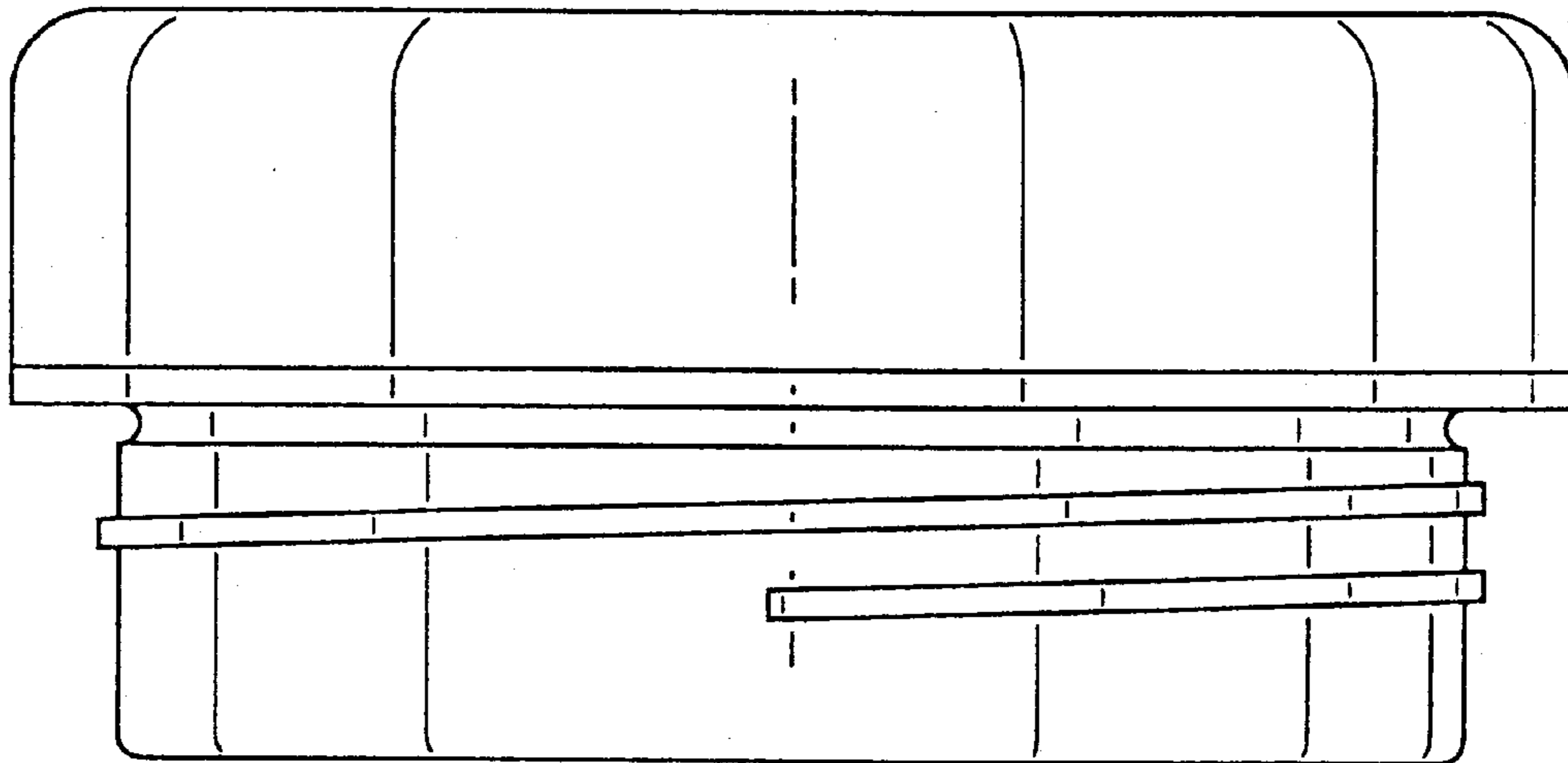


FIG. 4

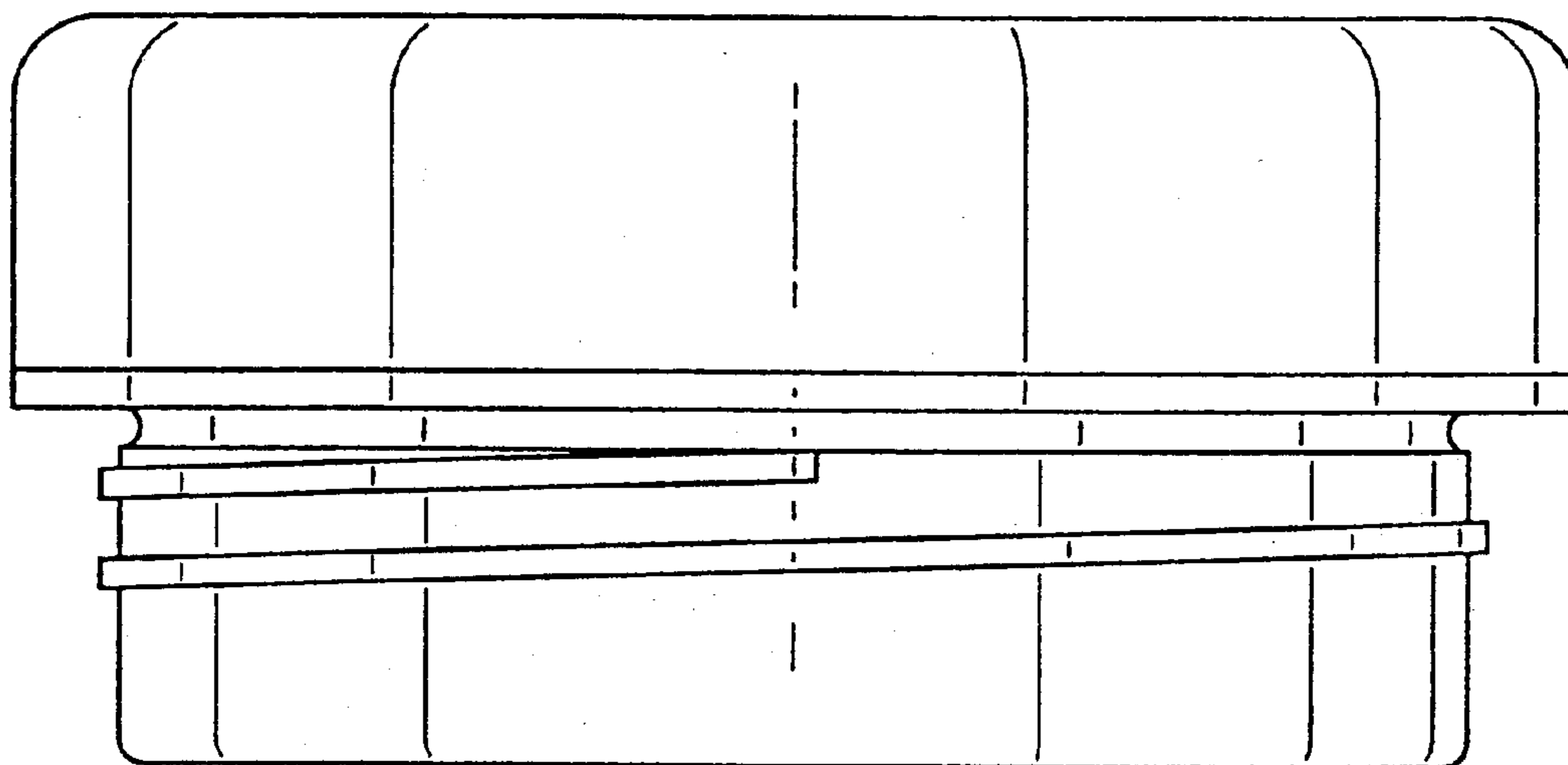


FIG. 5

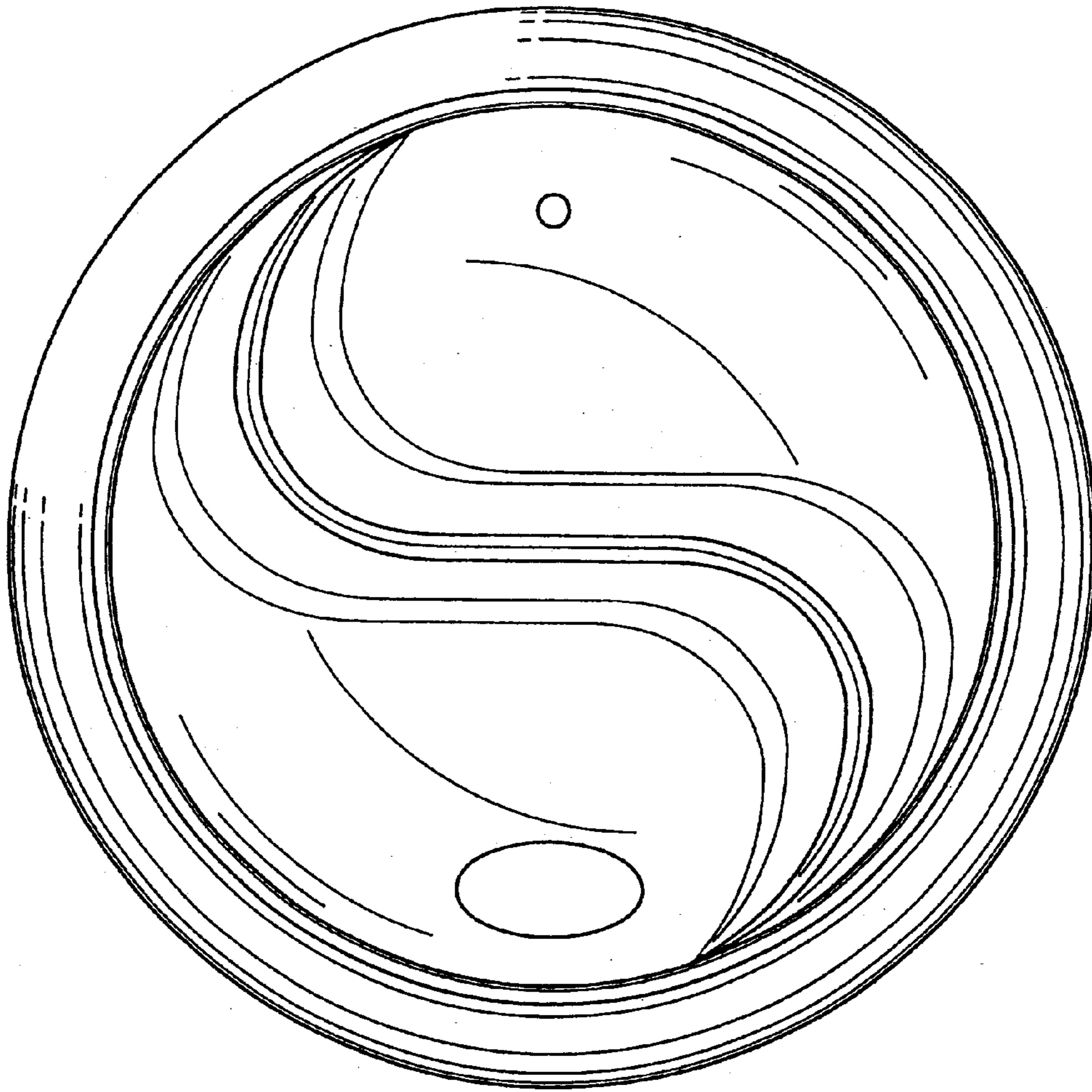


FIG. 6

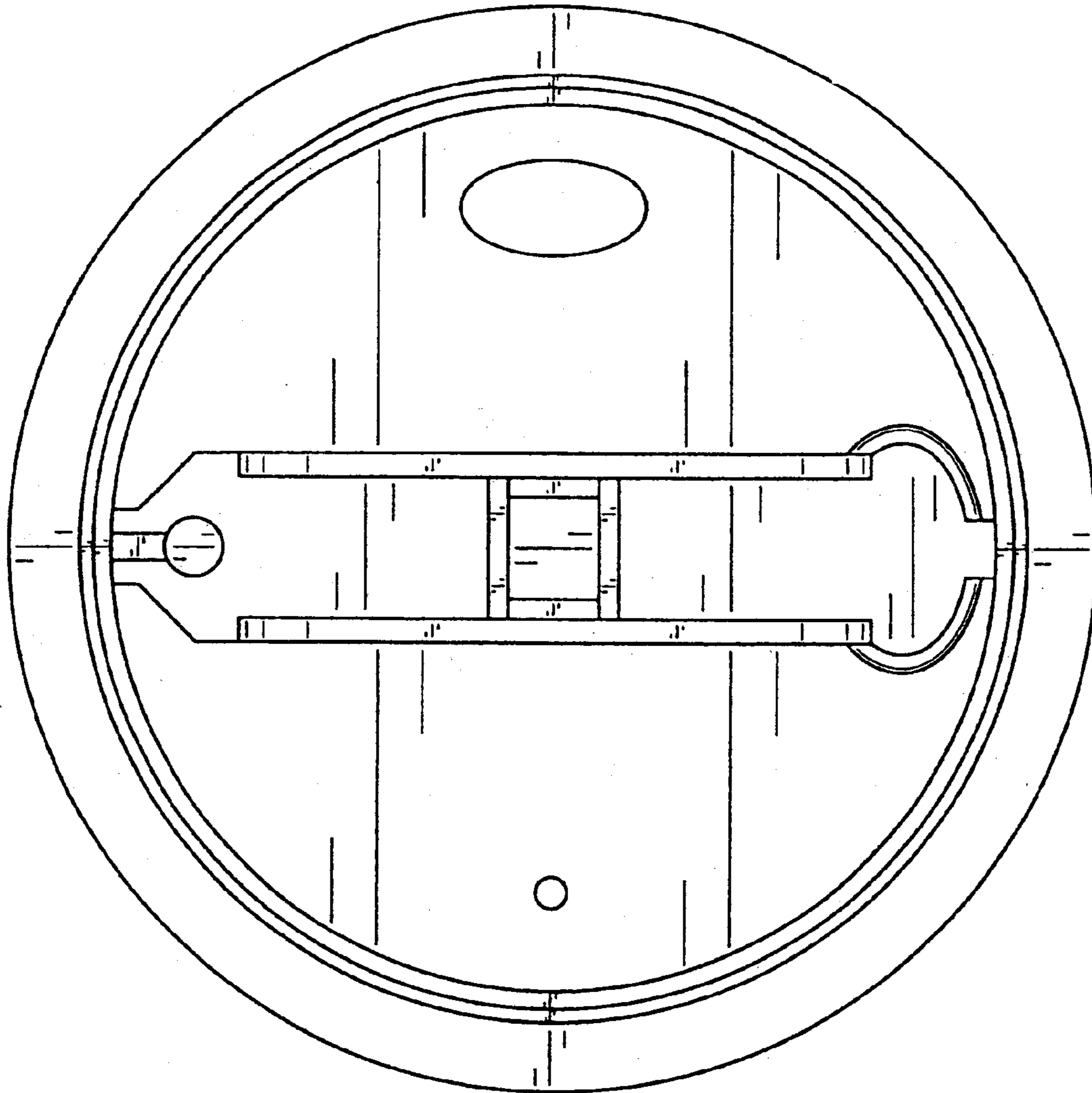


FIG. 7

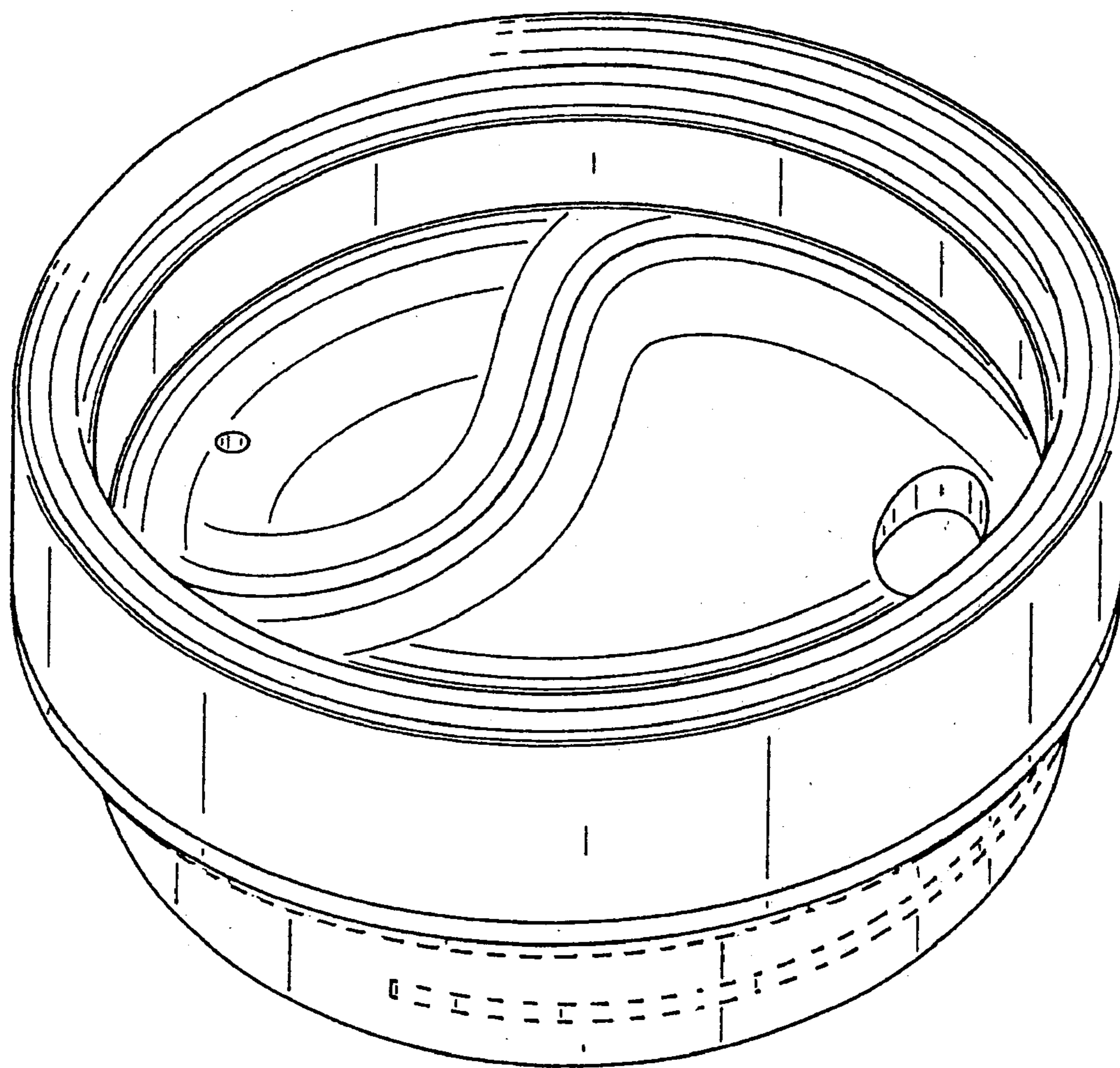


FIG. 8

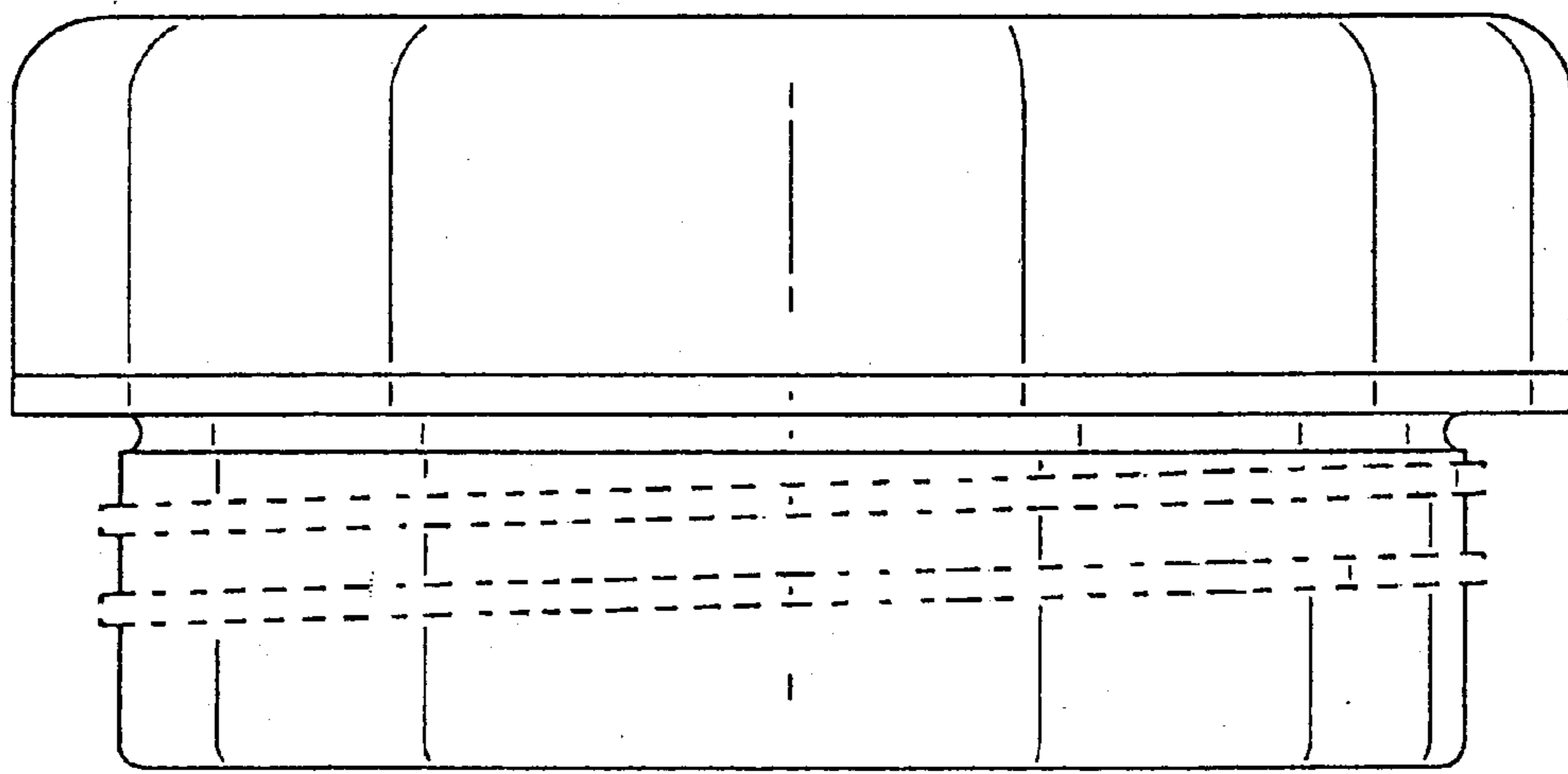


FIG. 9

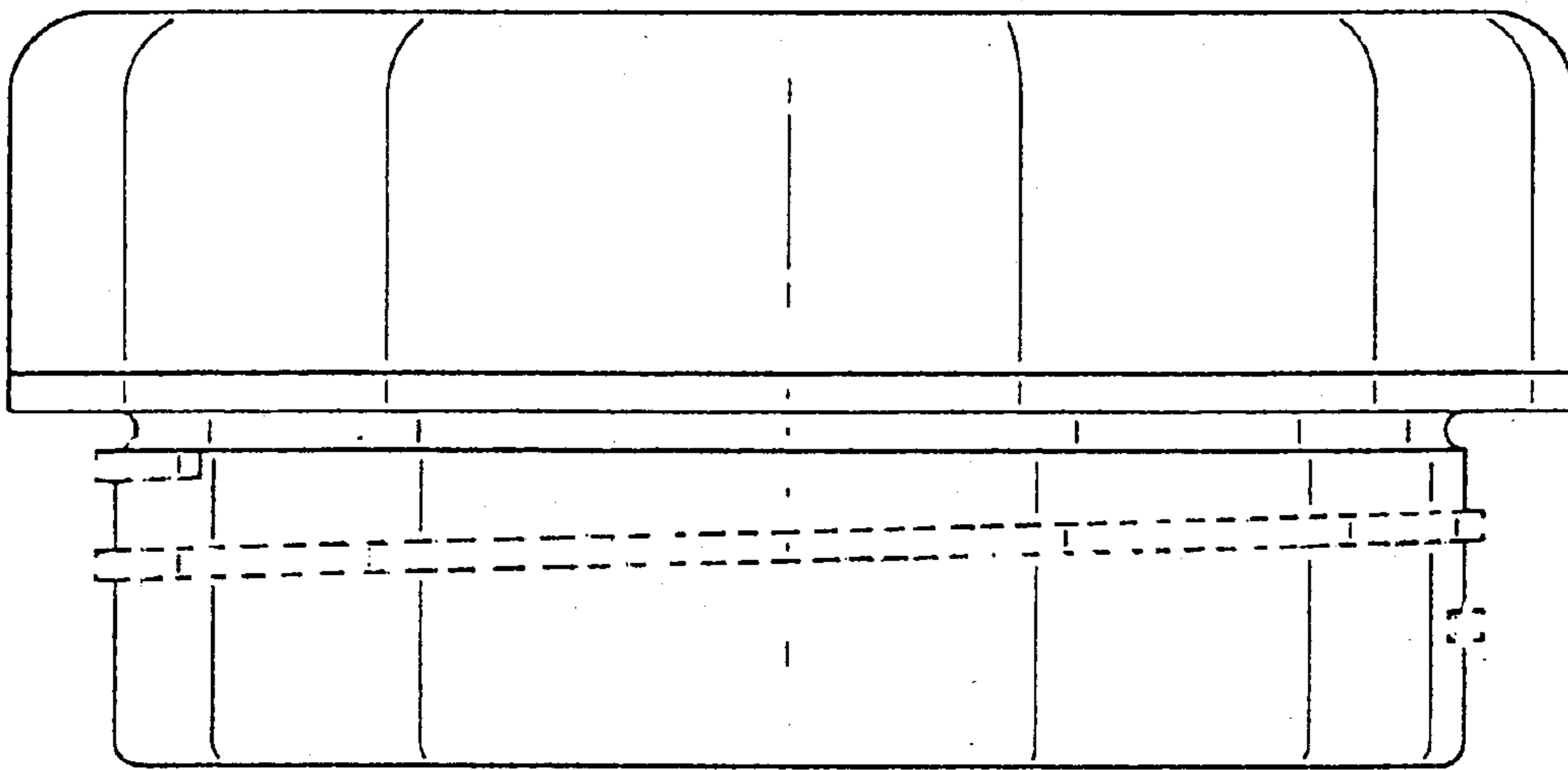


FIG. 10

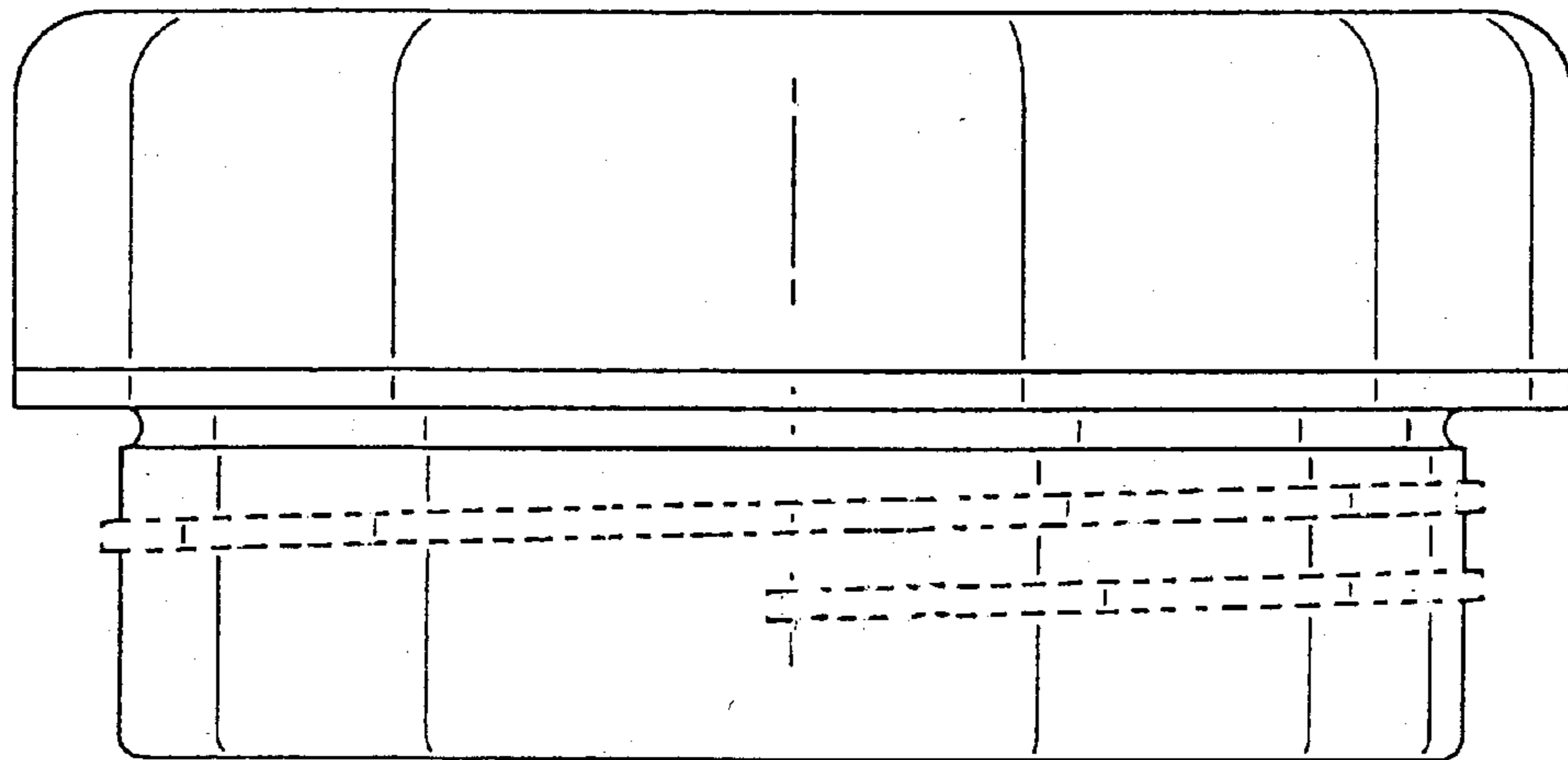


FIG. 11

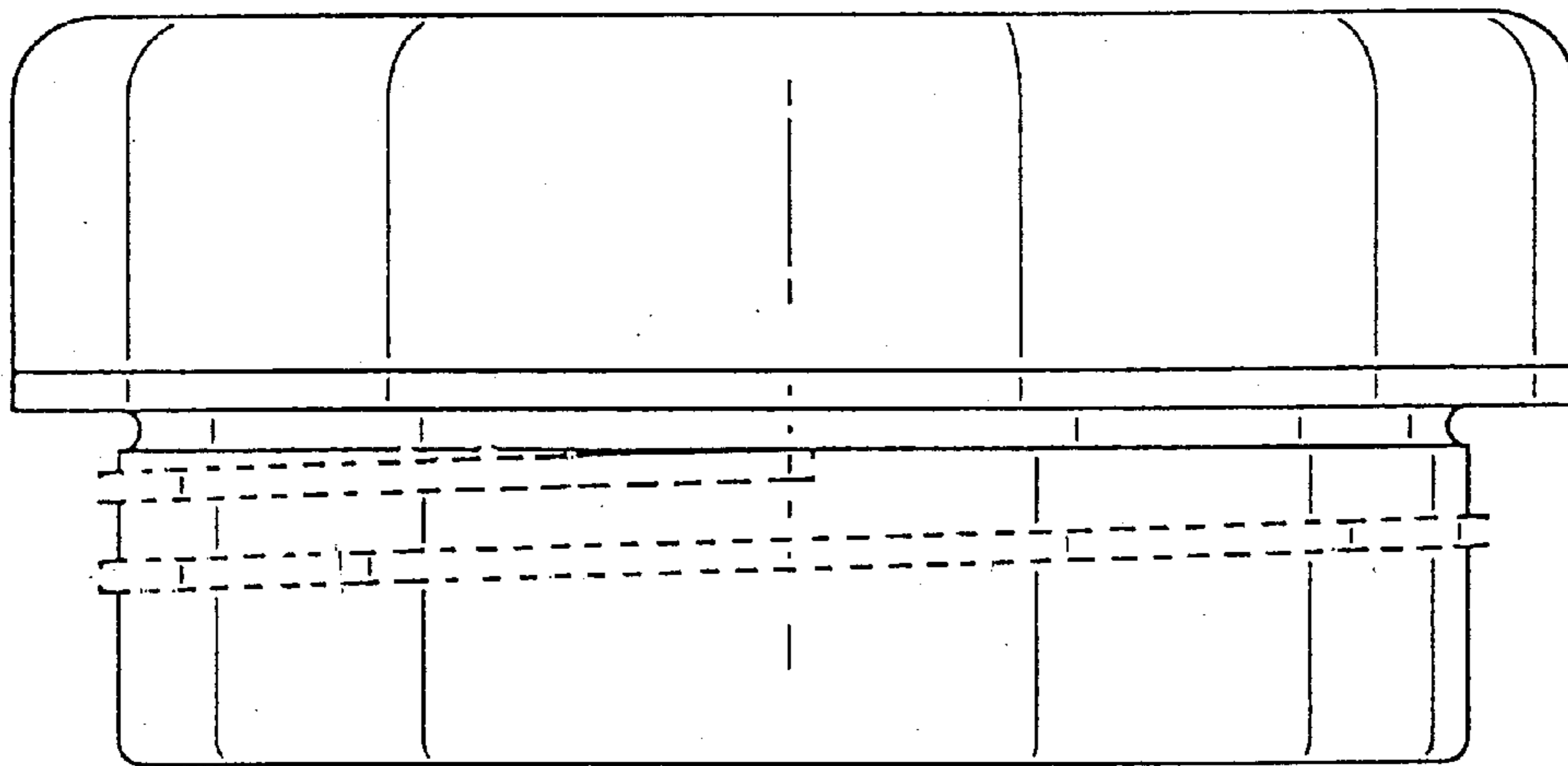


FIG. 12

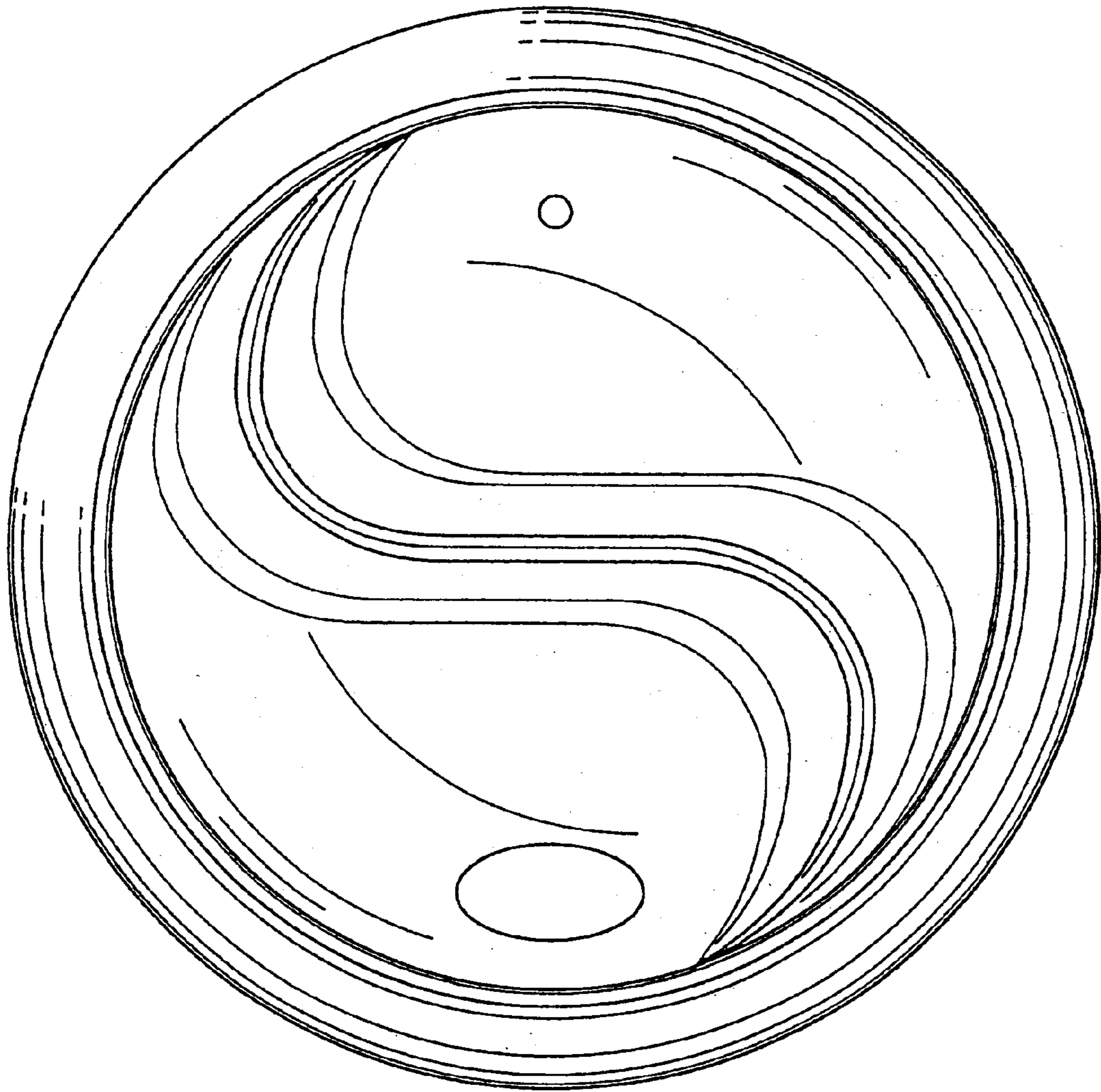


FIG. 13

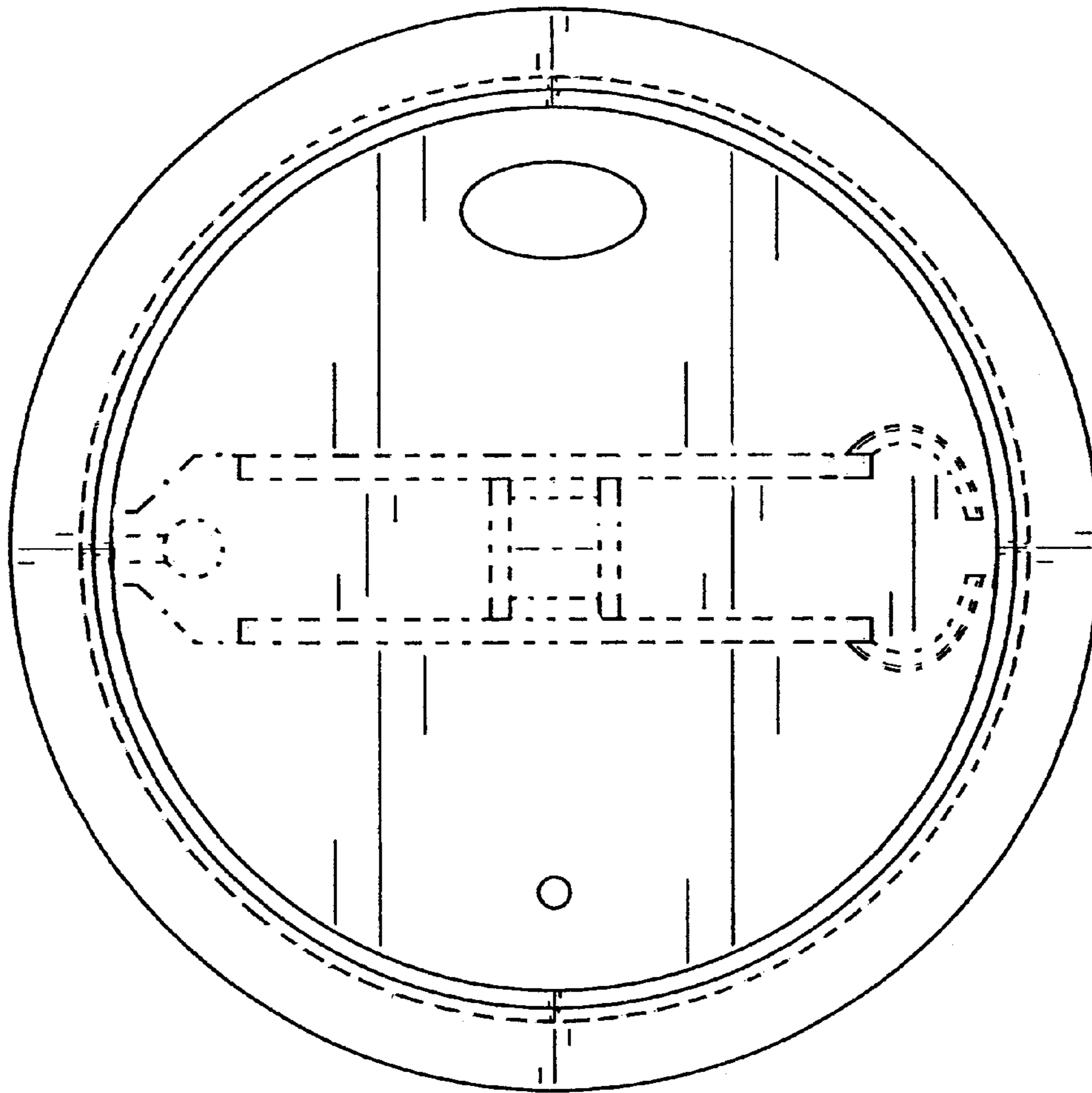


FIG. 14