

US00D527575S

(12) **United States Design Patent**  
**Ulanski et al.**

(10) **Patent No.:** **US D527,575 S**

(45) **Date of Patent:** **\*\* Sep. 5, 2006**

(54) **PLUG FOR A BLENDER LID**

D500,444 S \* 1/2005 Jebb et al. .... D9/503

(75) Inventors: **Robert M. Ulanski**, Broadview Heights, OH (US); **Jonathan M. Katz**, Solon, OH (US)

(73) Assignee: **Vita-Mix Corporation**, Cleveland, OH (US)

(\*\*) Term: **14 Years**

(21) Appl. No.: **29/229,640**

(22) Filed: **May 11, 2005**

(51) **LOC (8) Cl.** ..... **07-02**

(52) **U.S. Cl.** ..... **D7/392**

(58) **Field of Classification Search** ..... D7/317-319, D7/391-392.1, 396.2, 510-511, 629; D9/435, D9/440, 444, 447, 449-450, 454, 503-504; 215/211, 200, 224, 243; 220/700, 701, 703, 220/711, 713-715, 719

See application file for complete search history.

(56) **References Cited**

**U.S. PATENT DOCUMENTS**

D227,541 S	*	7/1973	Himmel	.....	D7/412
D248,373 S	*	7/1978	Allen	.....	D9/503
D336,590 S		6/1993	Barnard	.....	D7/378
D345,488 S		3/1994	Barnard et al.	.....	D7/412
D353,521 S	*	12/1994	Booten	.....	D7/629
D366,418 S	*	1/1996	Lown et al.	.....	D9/449
D374,590 S	*	10/1996	Ahern, Jr.	.....	D7/392.1
D383,041 S	*	9/1997	McGill	.....	D7/629
D407,979 S	*	4/1999	Zemlo	.....	D9/454
D412,639 S	*	8/1999	Demore	.....	D7/391

**OTHER PUBLICATIONS**

Brochure "Margarita Madness", Waring Commercial, New Hartford, Connecticut, 2 pages (undated).

Brochure excerpt "Hamilton Beach", Hamilton Beach Commercial, Glen Allen, Virginia, 2 pages (Aug. 1998).

Brochure "vita-prep™ The Professional Chef's Power Tool", Vita-Mix Corporation, Cleveland, Ohio, 4 pages (May 1998).

Brochure "What more can the world's best blender offer? More quiet.", Vita-Mix Corporation, Cleveland, Ohio, 4 pages (Apr. 1998).

\* cited by examiner

*Primary Examiner*—Holly Baynham

*Assistant Examiner*—Cynthia M. Chin

(74) *Attorney, Agent, or Firm*—Renner, Kenner, Greive, Bobak, Taylor & Weber

(57) **CLAIM**

The ornamental design for a plug for a blender lid, as shown and described.

**DESCRIPTION**

FIG. 1 is a top, front, right side perspective view of a plug for a blender lid showing our new design;

FIG. 2 is a bottom, rear, left side perspective view thereof;

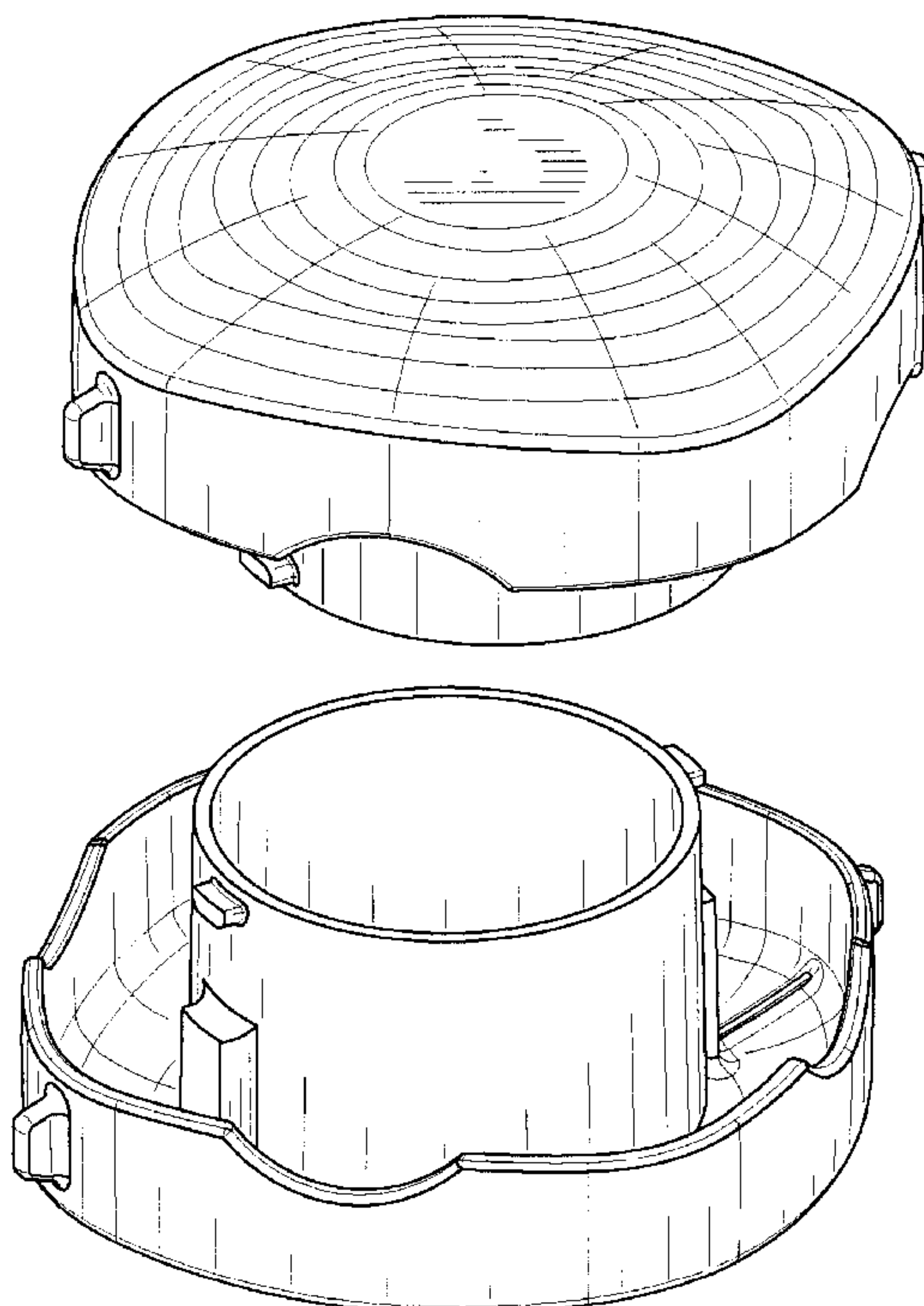
FIG. 3 is a top plan view thereof;

FIG. 4 is a bottom plan view thereof;

FIG. 5 is a side elevational view thereof; and,

FIG. 6 is a side elevational view thereof taken ninety degrees of FIG. 5.

**1 Claim, 3 Drawing Sheets**



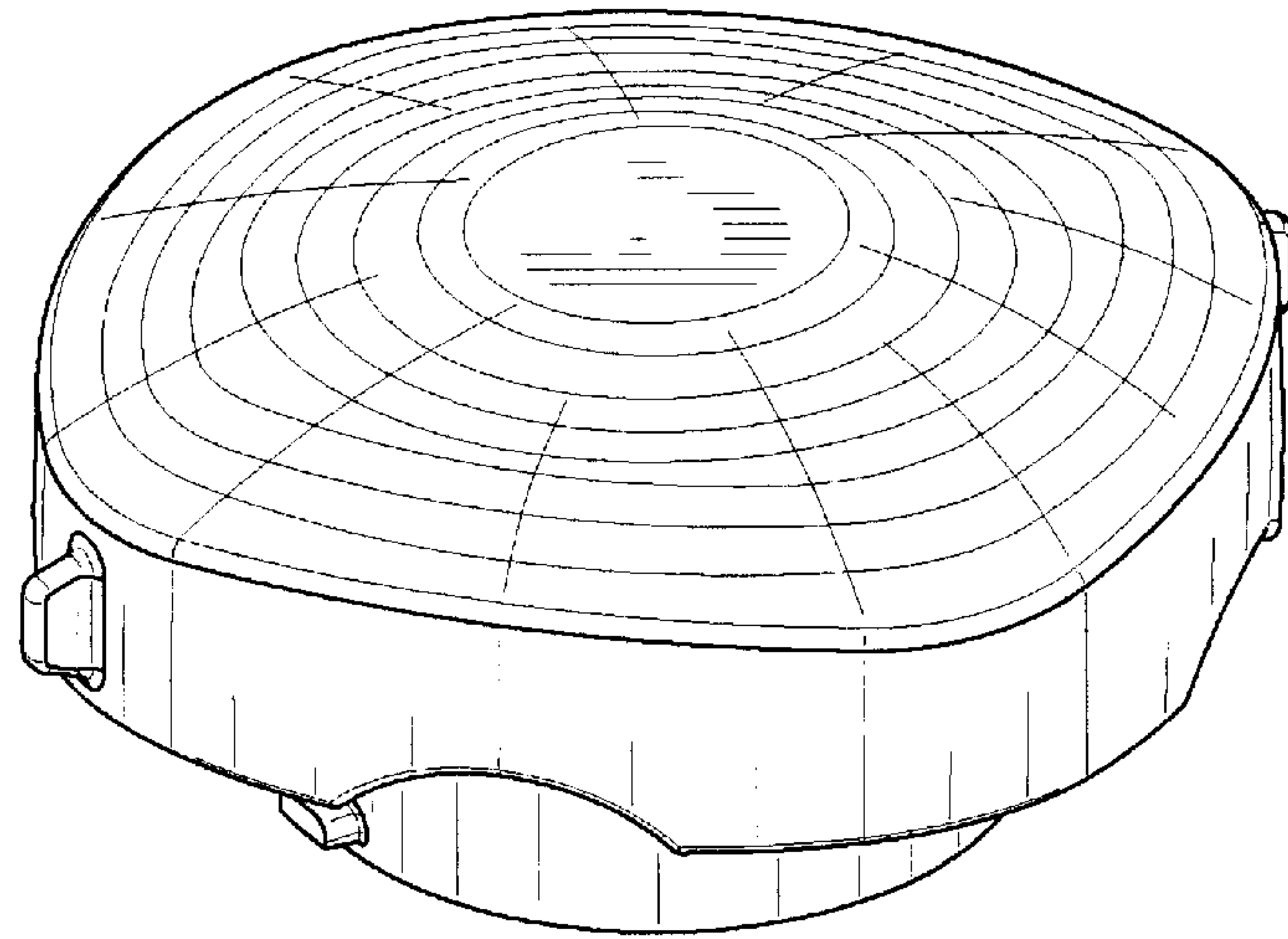


FIG-1

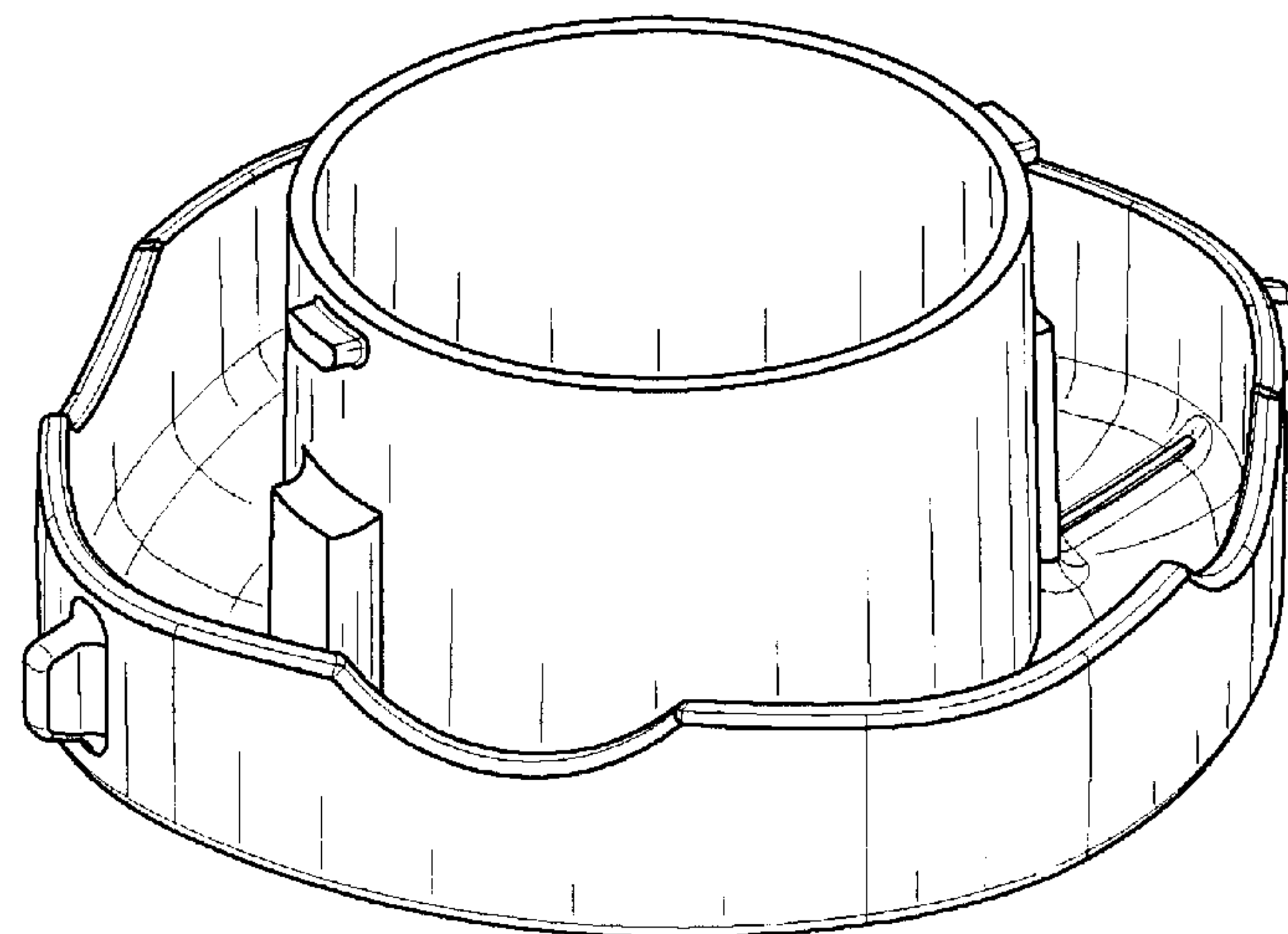


FIG-2

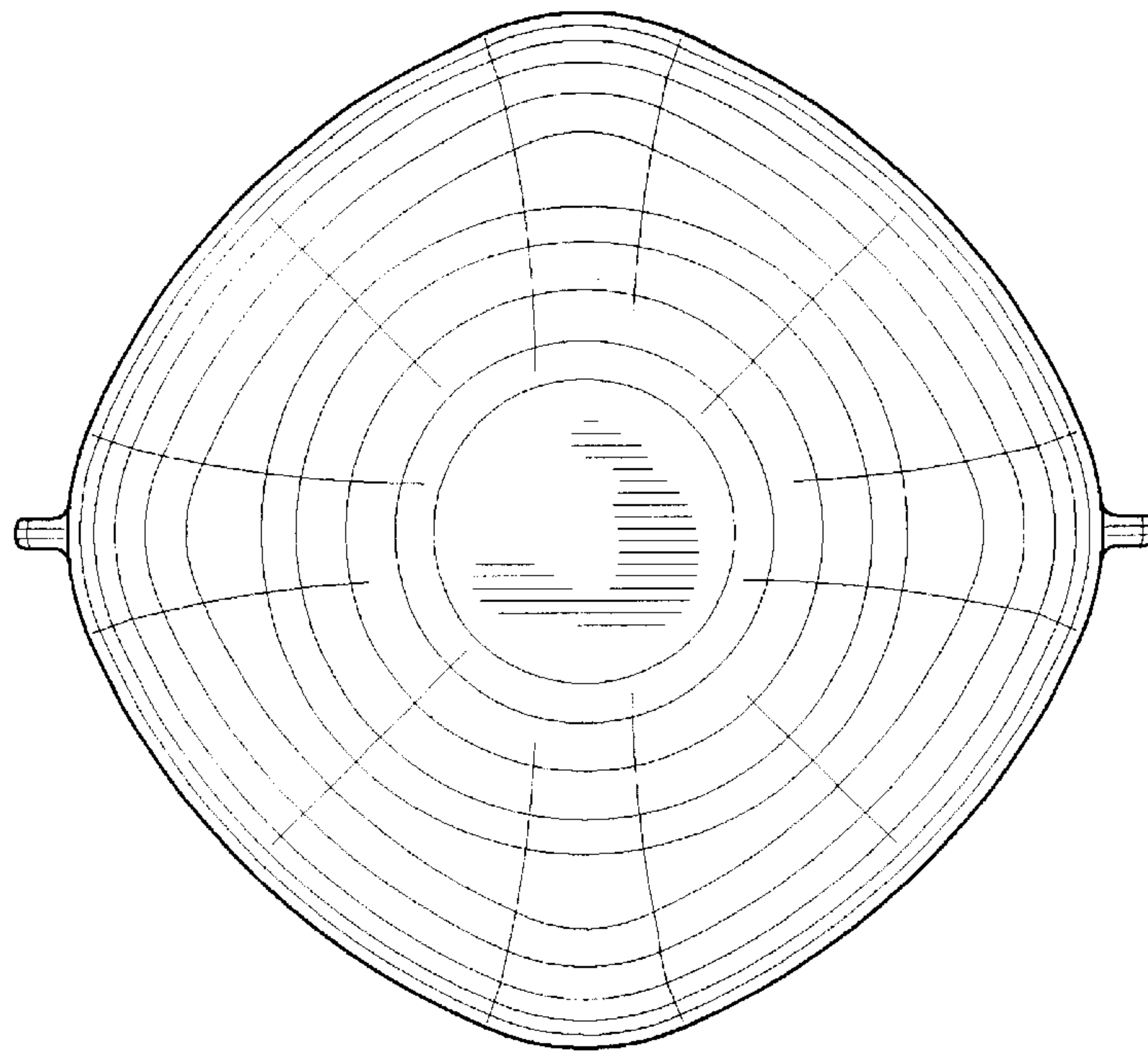


FIG-3

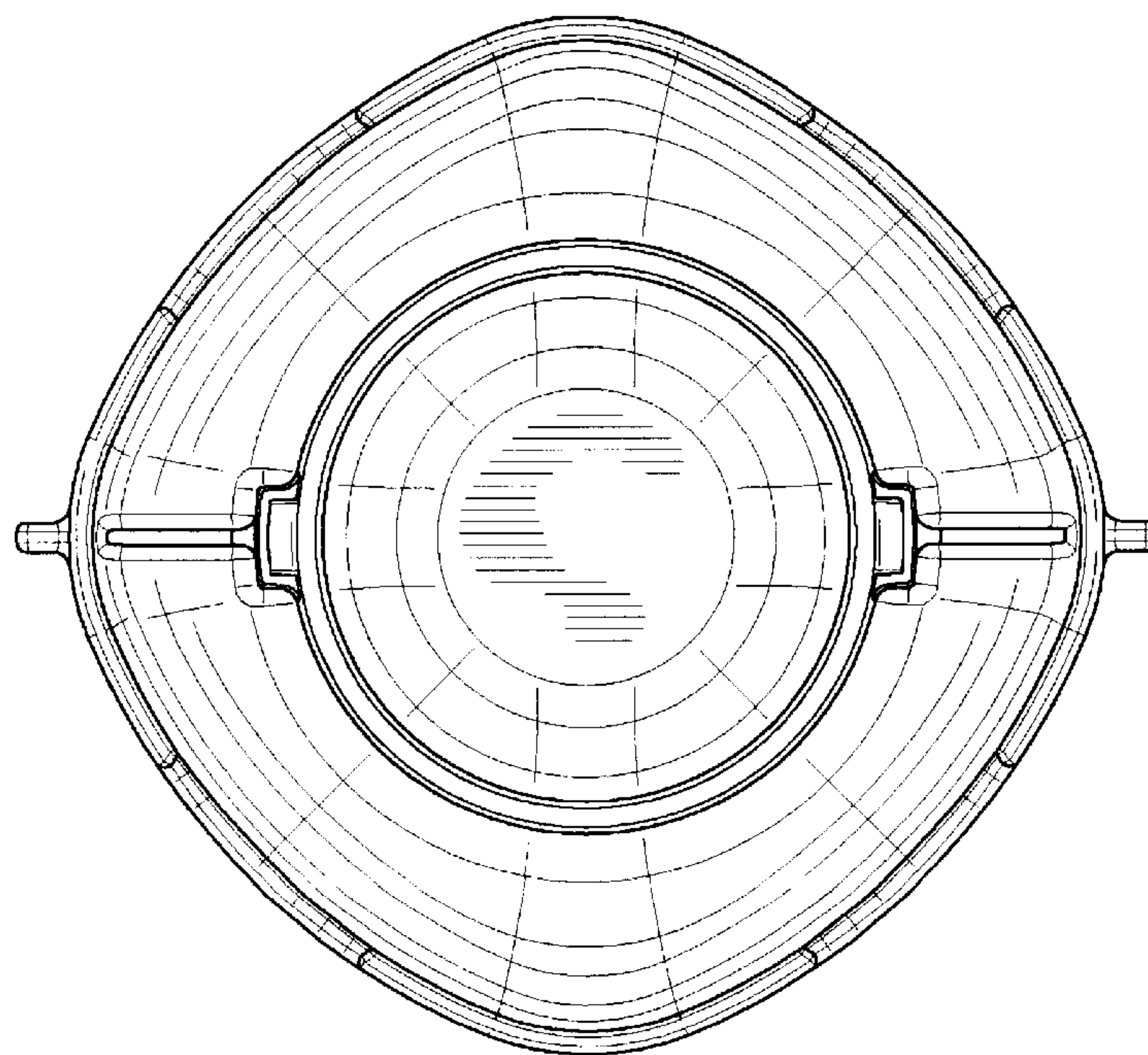


FIG-4

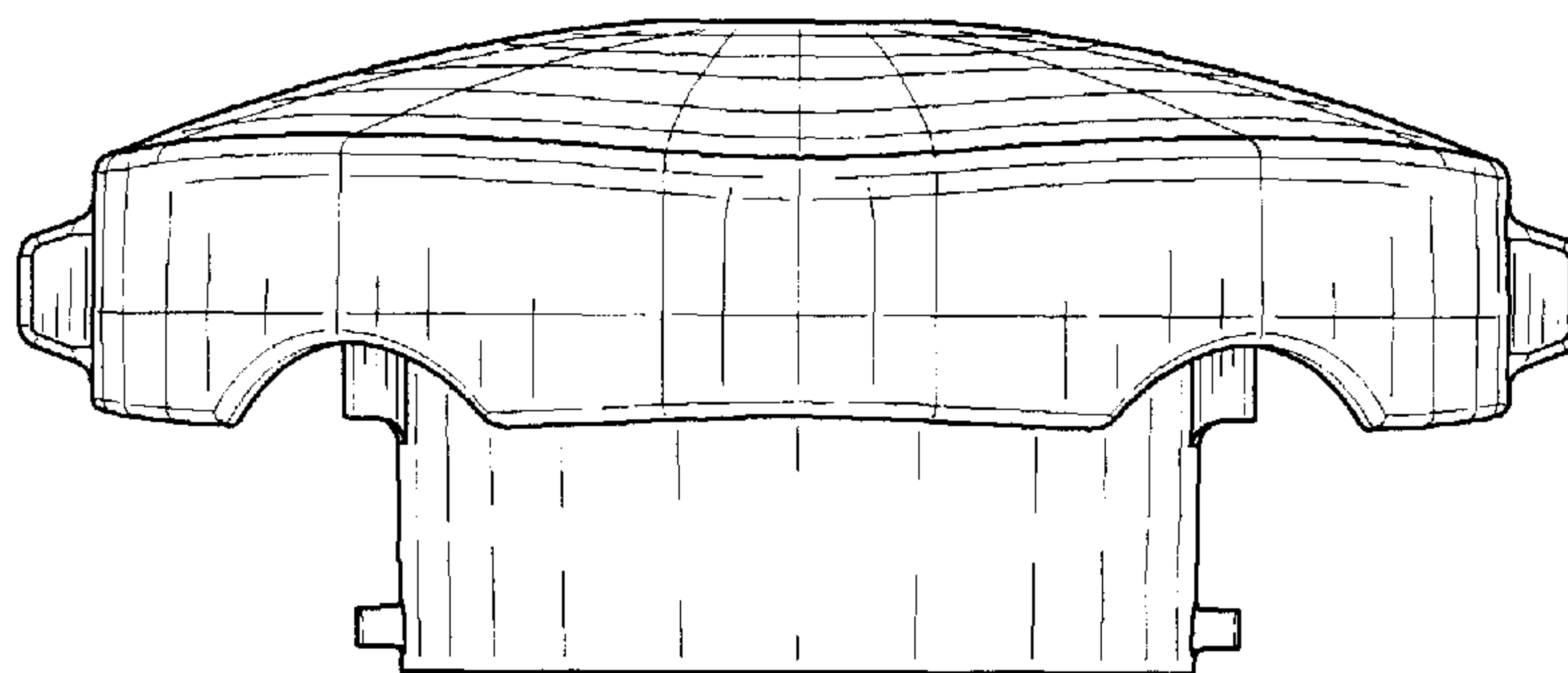


FIG-5

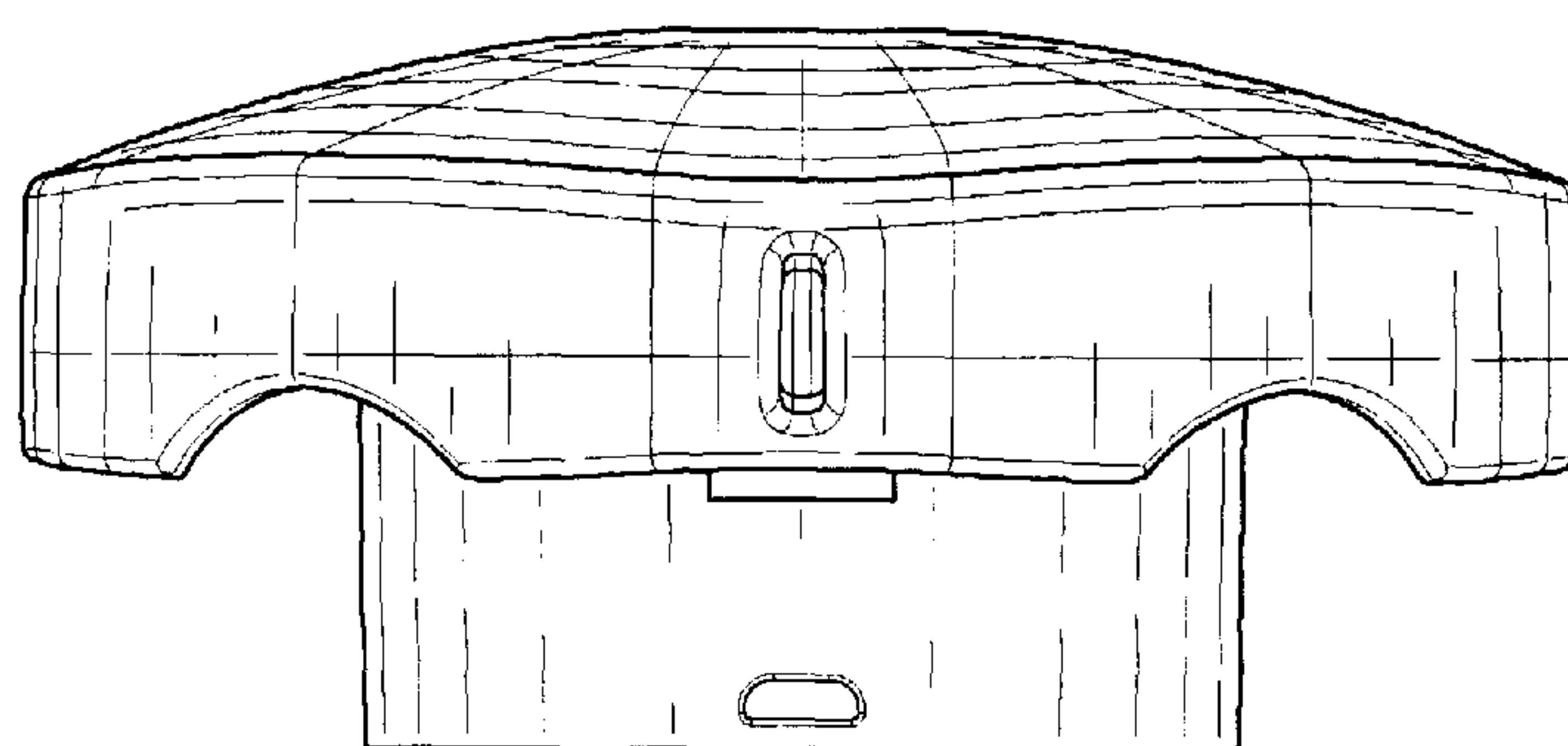


FIG-6