



US00D527571S

(12) **United States Design Patent**
Chung

(10) **Patent No.:** **US D527,571 S**

(45) **Date of Patent:** **** Sep. 5, 2006**

(54) **BARBECUE GRILL**

(76) Inventor: **Kiosky Chung**, 8F-1, No.497,
Jhongming S. Rd., West District,
Taichung City 403 (TW)

(**) Term: **14 Years**

(21) Appl. No.: **29/226,413**

(22) Filed: **Mar. 29, 2005**

(51) **LOC (8) Cl.** **07-02**

(52) **U.S. Cl.** **D7/332**

(58) **Field of Classification Search** D7/332,
D7/334-337, 402-405; 126/25 R, 25 A,
126/25 AA, 25 B, 29-30, 41 R, 38, 37 R,
126/9 R, 40, 50, 304 R, 305; 99/419, 421 R,
99/444, 450; 312/140.1, 140.3, 236; 248/129;
108/44, 519

See application file for complete search history.

(56) **References Cited**

U.S. PATENT DOCUMENTS

D478,772 S	*	8/2003	Chung	D7/337
D498,113 S	*	11/2004	Zhang	D7/332
D498,114 S	*	11/2004	Zhang	D7/337
D499,299 S	*	12/2004	Zhang	D7/337
D503,868 S	*	4/2005	Pai	D7/337

D504,275 S	*	4/2005	Pai	D7/337
D511,070 S	*	11/2005	Pai	D7/402
D511,266 S	*	11/2005	Pai	D7/337
D511,433 S	*	11/2005	Zhang	D7/337
D512,268 S	*	12/2005	Pai	D7/402
D512,871 S	*	12/2005	Chung	D7/332
D513,149 S	*	12/2005	Zhang	D7/337
D514,870 S	*	2/2006	Chung	D7/337

* cited by examiner

Primary Examiner—Ruth McInroy

(74) *Attorney, Agent, or Firm*—Charles E. Baxley

(57) **CLAIM**

I claim the ornamental design for a barbecue grill, as shown and described.

DESCRIPTION

FIG. 1 is a perspective view of a barbecue grill, showing my new design;

FIG. 2 is a front elevational view thereof;

FIG. 3 is a rear elevational view thereof;

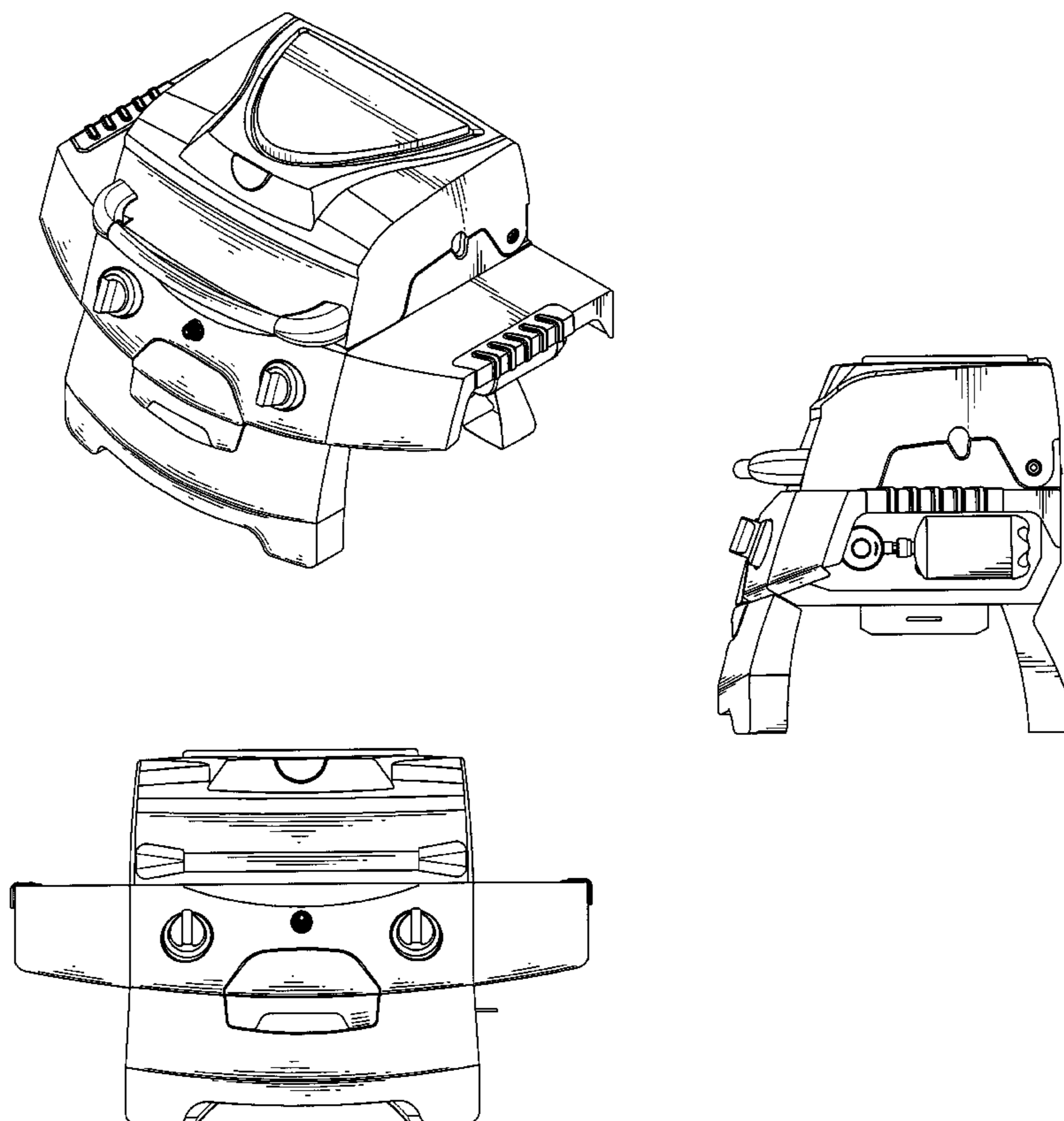
FIG. 4 is a left side elevational view thereof;

FIG. 5 is a right side elevational view thereof;

FIG. 6 is a top plan view thereof; and,

FIG. 7 is a bottom plan view thereof.

1 Claim, 7 Drawing Sheets



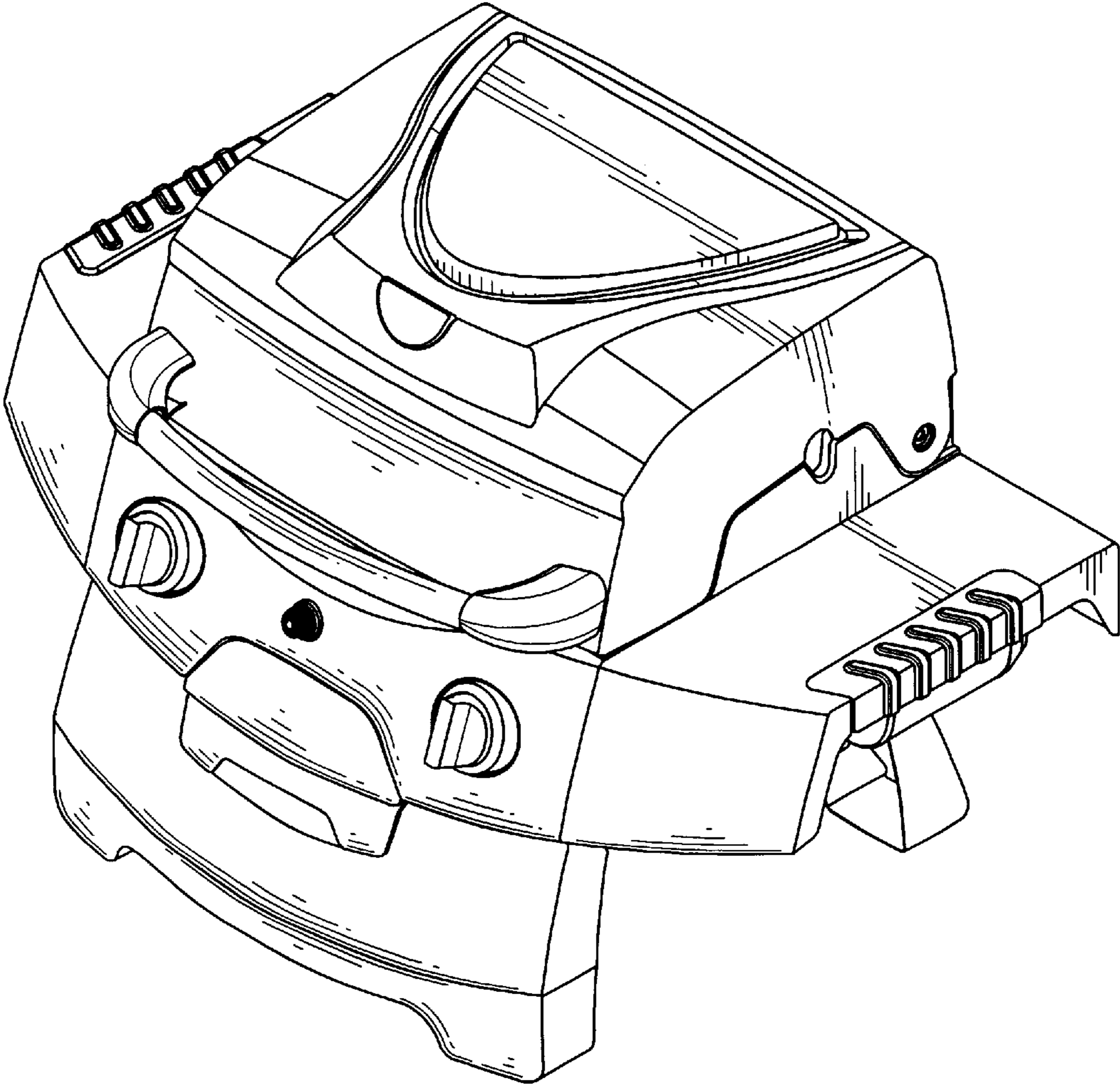


FIG. 1

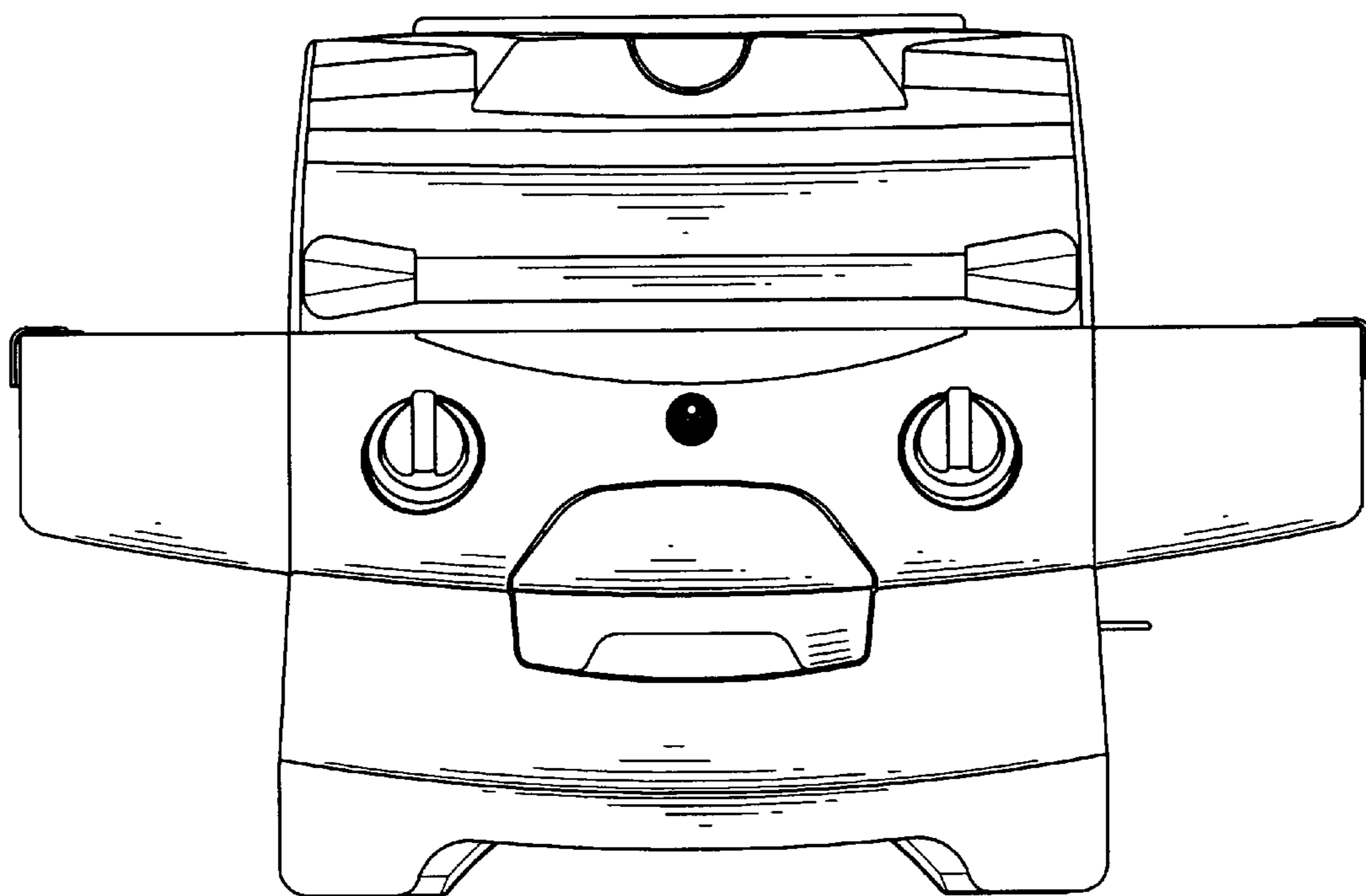


FIG. 2

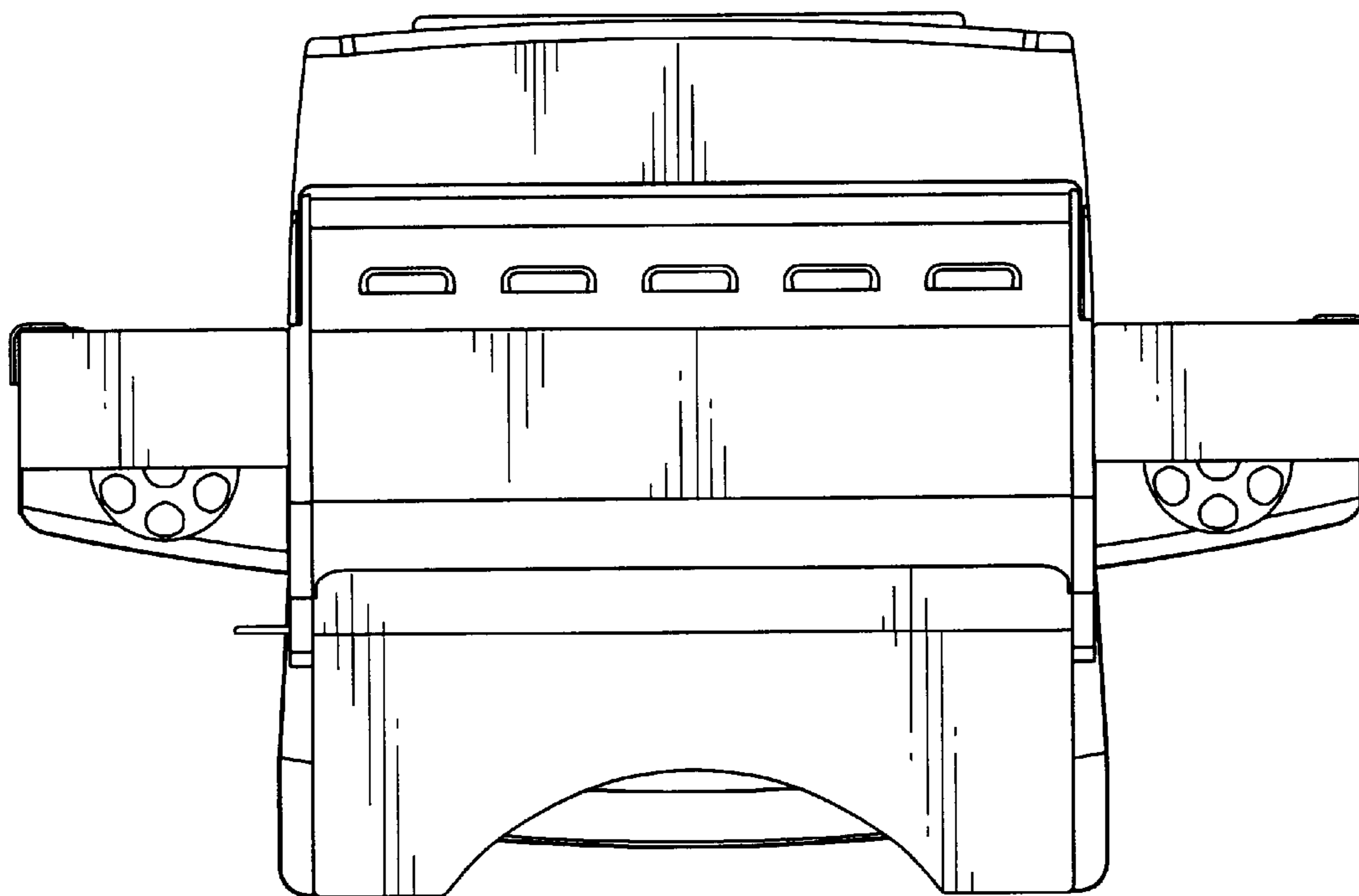


FIG. 3

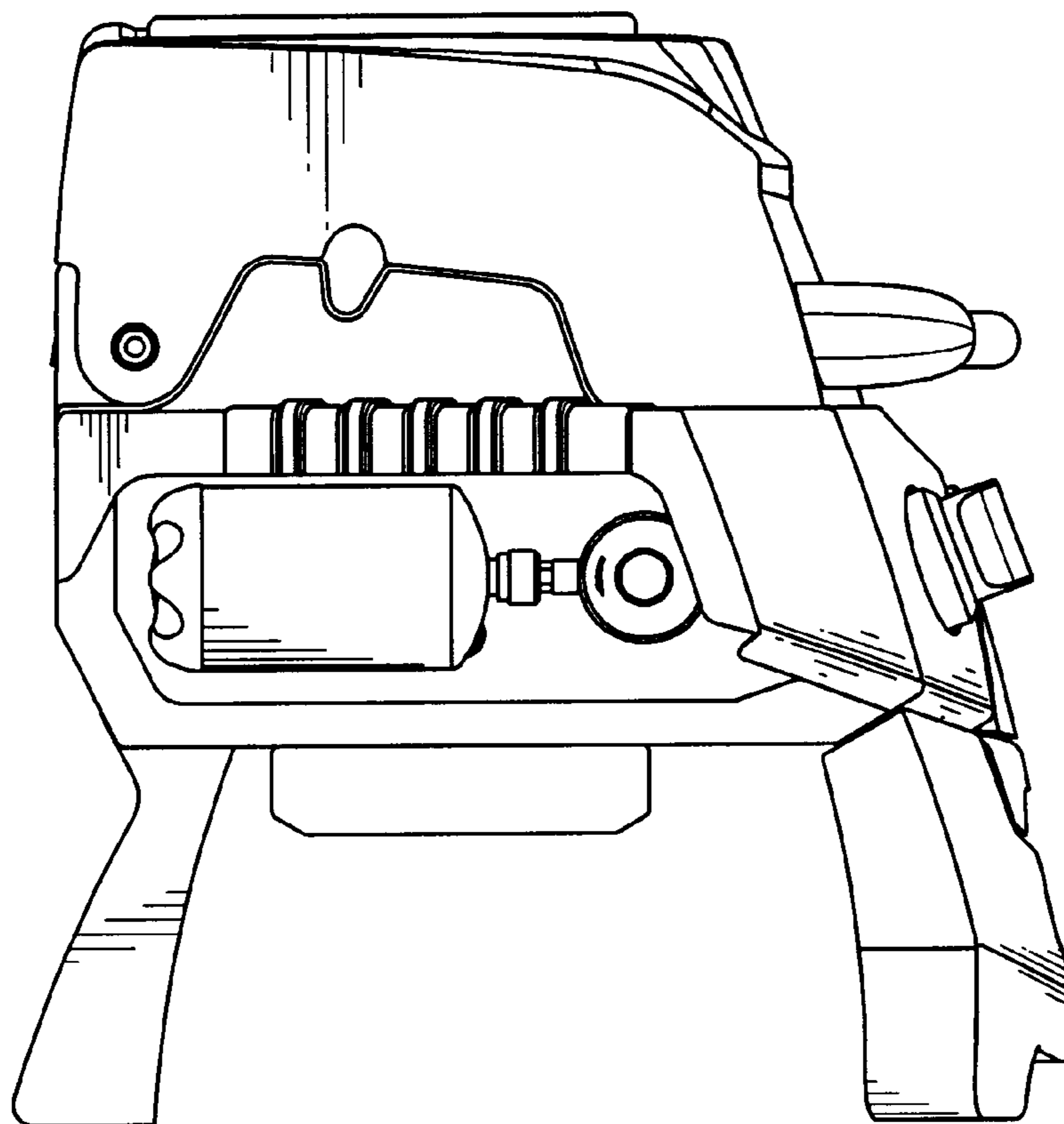


FIG. 4

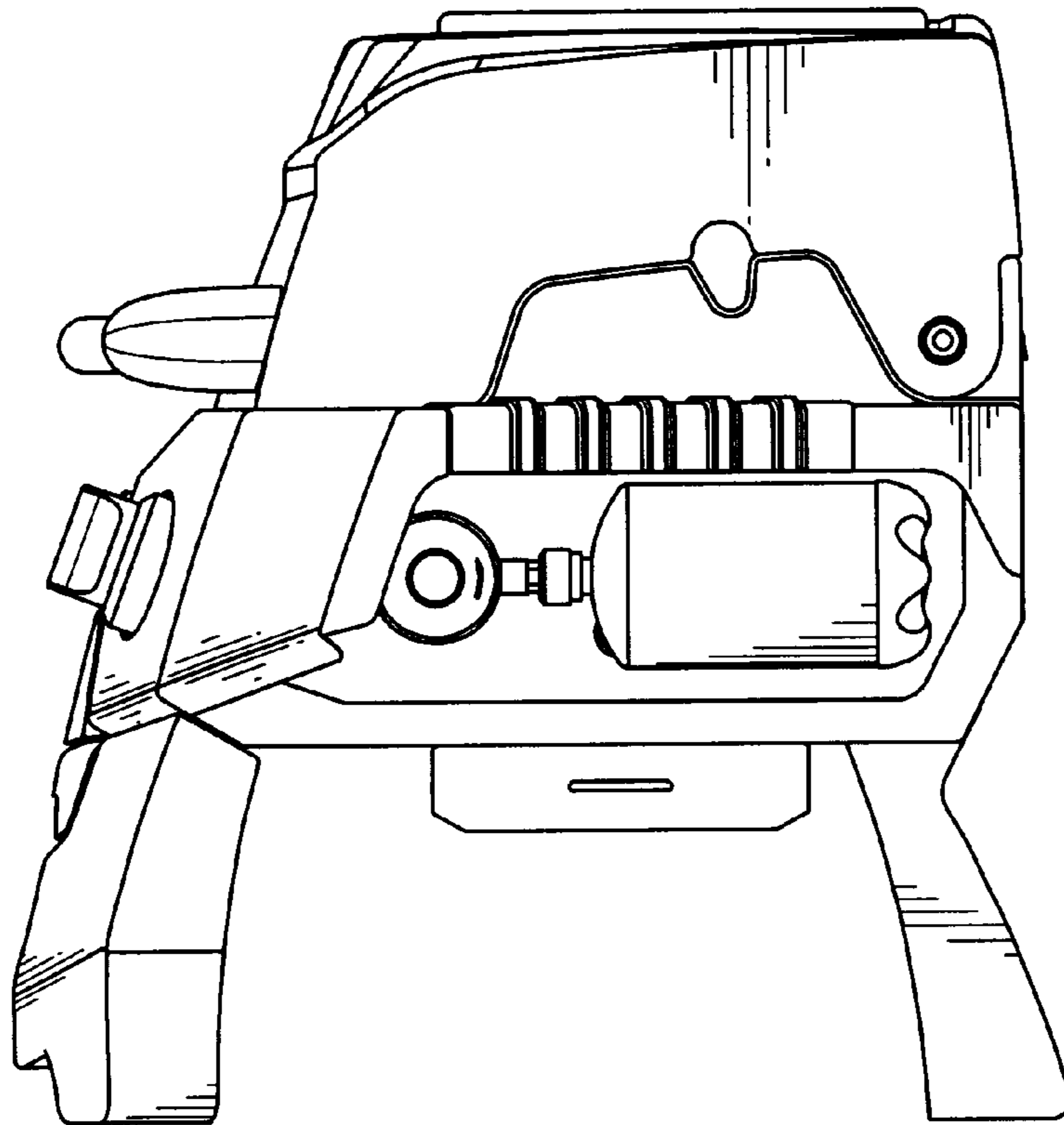


FIG. 5

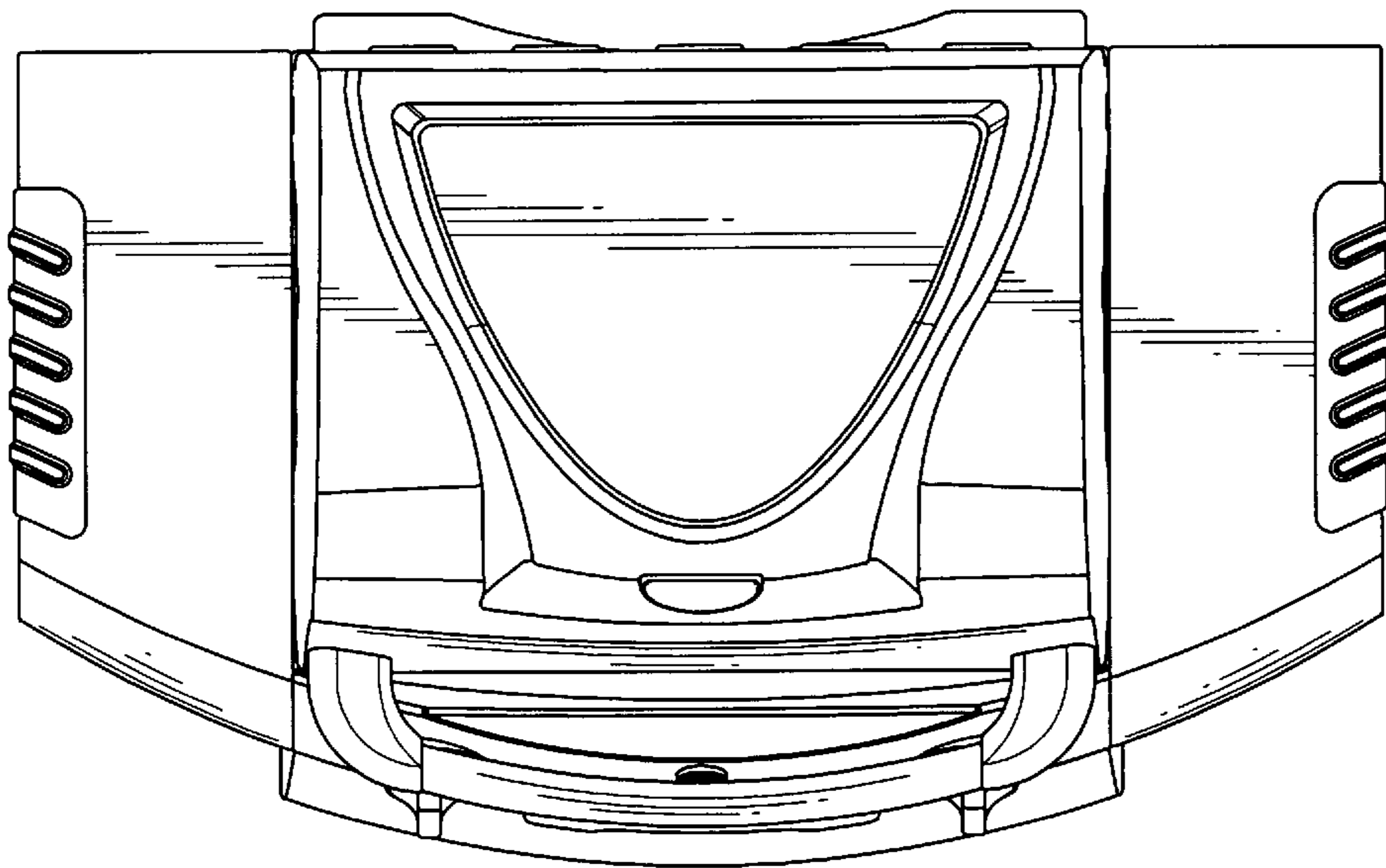


FIG. 6

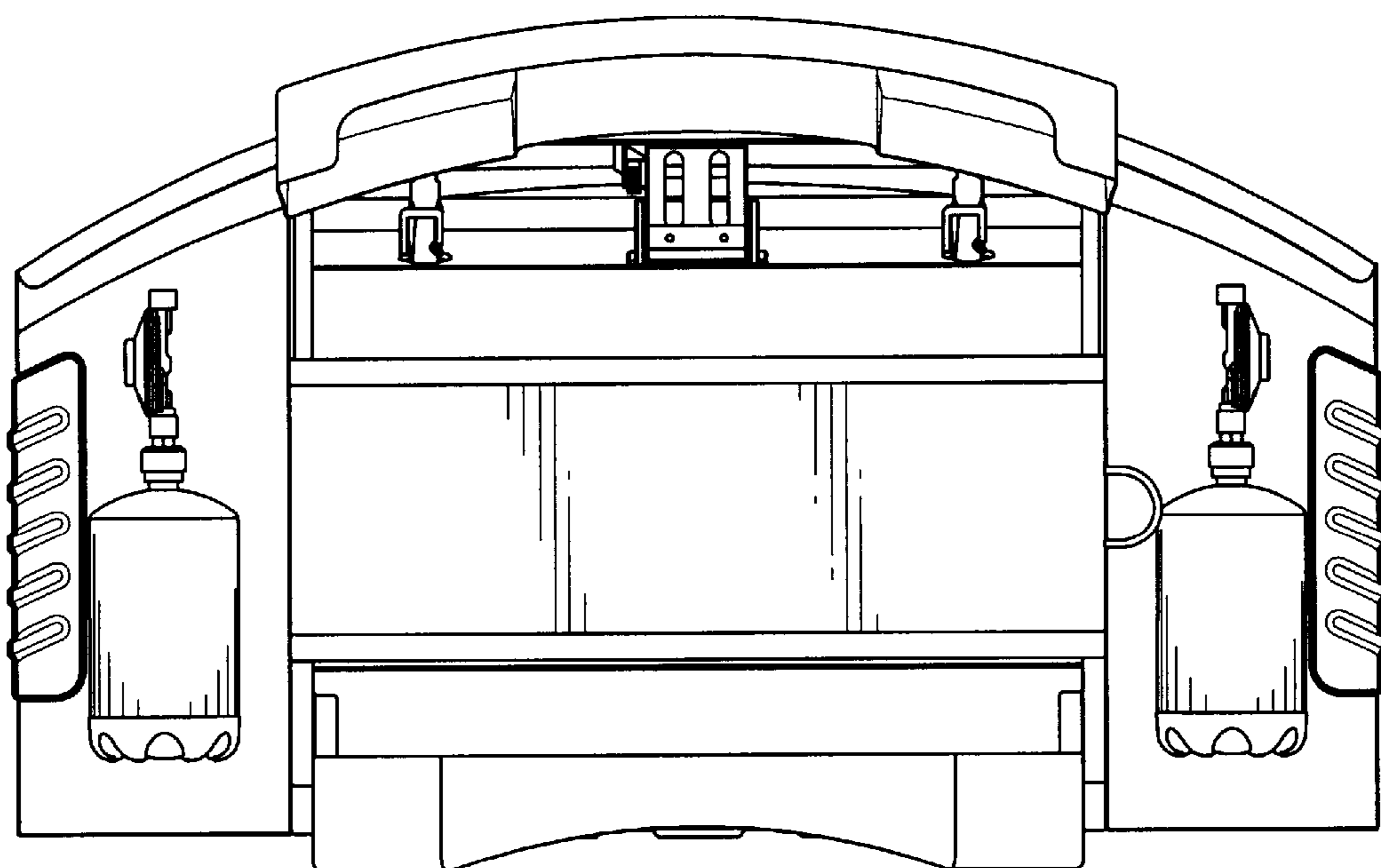


FIG. 7