



US00D527570S

(12) **United States Design Patent** (10) **Patent No.:** **US D527,570 S**  
**Averty** (45) **Date of Patent:** **\*\* Sep. 5, 2006**

(54) **TOASTER**

2004/0211324 A1 \* 10/2004 Wanat ..... 99/385  
 2005/0204927 A1 \* 9/2005 Boyle et al. .... 99/389

(75) Inventor: **Lionel Averty**, Dijon (FR)

FOREIGN PATENT DOCUMENTS

(73) Assignee: **SEB**, Selongey (FR)

GB 2057792 \* 1/1996

(\*\*) Term: **14 Years**

OTHER PUBLICATIONS

(21) Appl. No.: **29/234,838**

Frontgate—Outfitting America’s Finest Homes, Fall 2002 Catalog, T-Fal, Item #16243 Chrome 4-slice Toaster.\*

(22) Filed: **Jul. 25, 2005**

\* cited by examiner

(30) **Foreign Application Priority Data**

Feb. 3, 2005 (FR) ..... 05 0733

*Primary Examiner*—Caron D. Veynar

*Assistant Examiner*—Ricky Pham

(51) **LOC (8) Cl.** ..... **07-02**

(74) *Attorney, Agent, or Firm*—Young & Thompson

(52) **U.S. Cl.** ..... **D7/330**

(57) **CLAIM**

(58) **Field of Classification Search** ..... D7/323,  
 D7/328–333, 385, 390, 340, 341, 346, 365,  
 D7/367, 402, 405, 406, 407, 411; D13/158,  
 D13/162, 162.1, 163; D21/525; 99/331, 332,  
 99/357, 375, 385; 219/214, 388, 405, 443.1,  
 219/450.1, 492

The ornamental design for a toaster, as shown.

See application file for complete search history.

**DESCRIPTION**

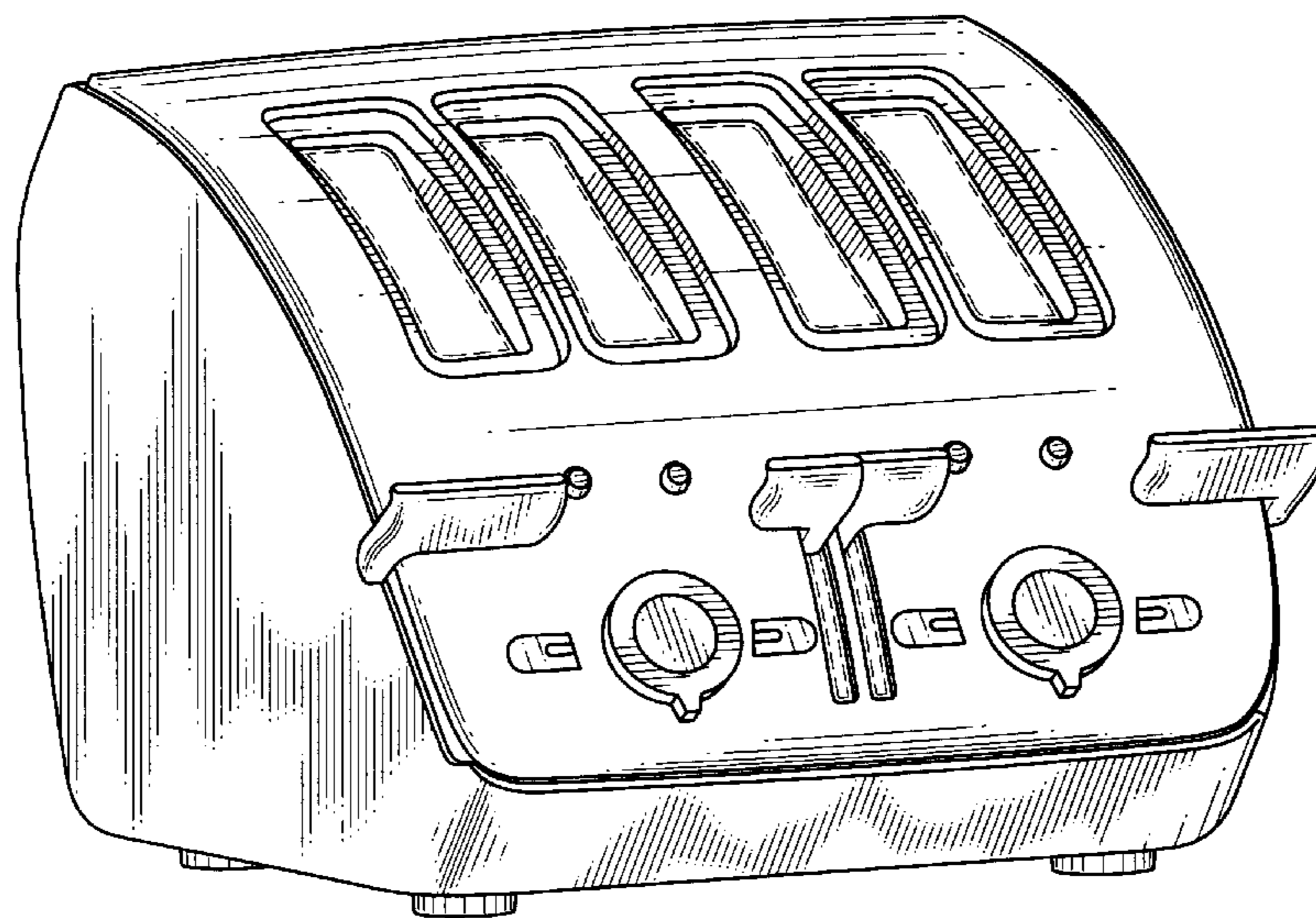
(56) **References Cited**

U.S. PATENT DOCUMENTS

D383,352 S \* 9/1997 Powel ..... D7/330  
 D461,088 S \* 8/2002 Cheah et al. .... D7/330  
 D461,089 S \* 8/2002 Cheah et al. .... D7/330  
 D473,094 S \* 4/2003 Aeshbacher ..... D7/330  
 D489,565 S \* 5/2004 Averty ..... D7/330  
 D496,819 S \* 10/2004 Enriquez et al. .... D7/330

FIG. 1 is a top, front and side perspective view of a toaster showing my new design;  
 FIG. 2 is a front elevational view thereof;  
 FIG. 3 is a side elevational view thereof from the left of FIG. 2;  
 FIG. 4 is a side elevational view thereof from the right of FIG. 2;  
 FIG. 5 is a rear elevational view thereof;  
 FIG. 6 is a top plan view thereof; and,  
 FIG. 7 is a bottom plan view thereof.

**1 Claim, 7 Drawing Sheets**



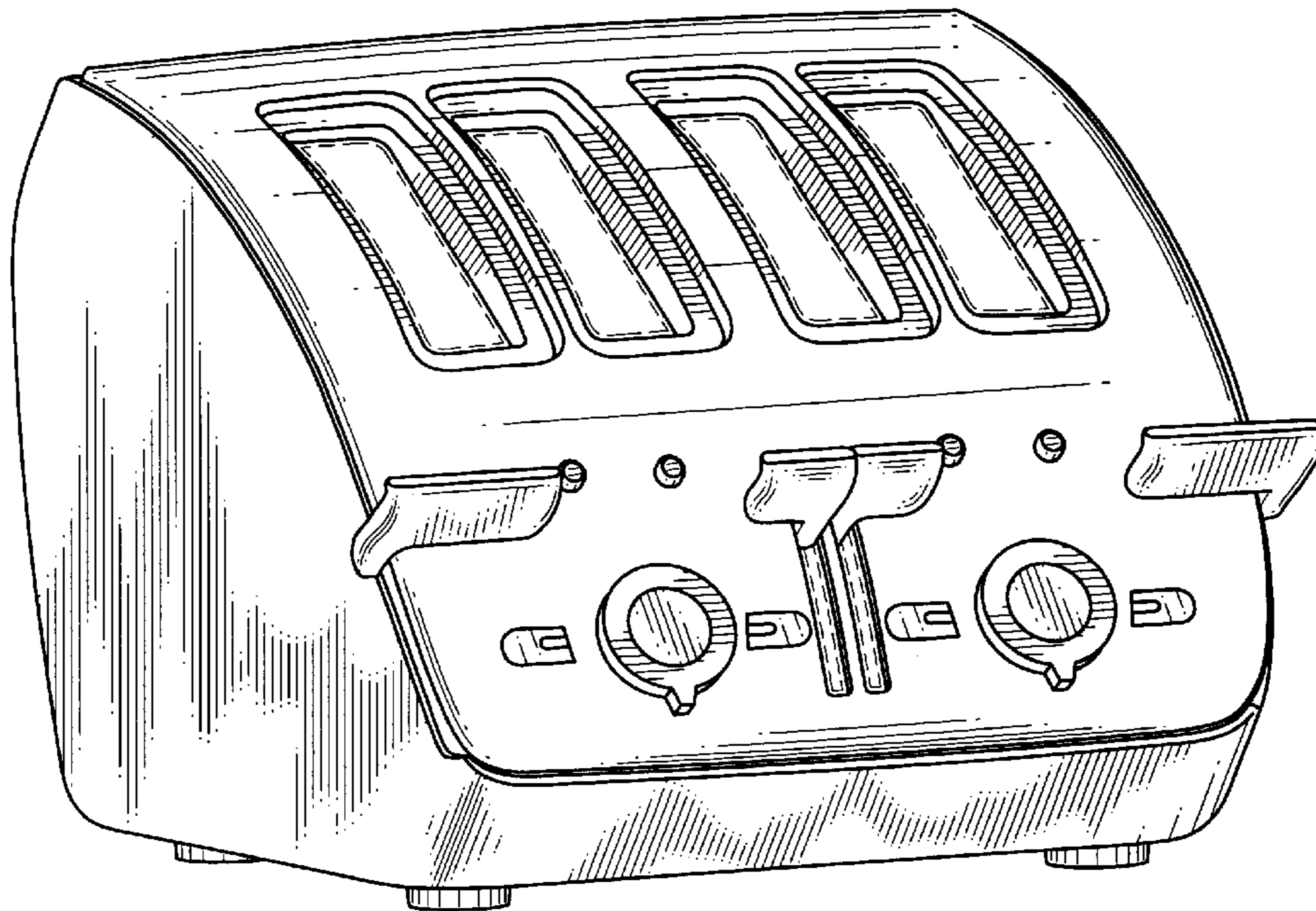


FIG. 1

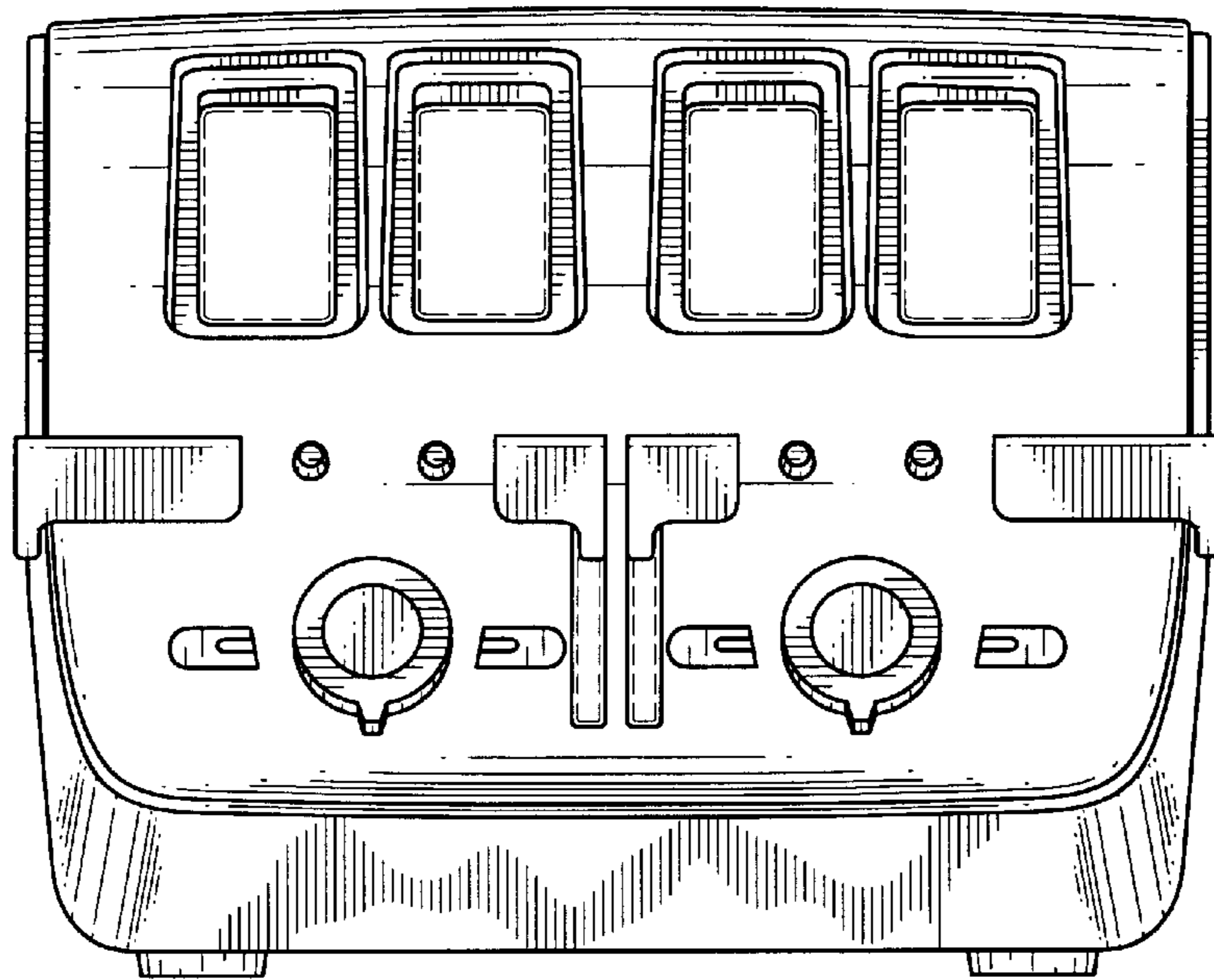


FIG. 2

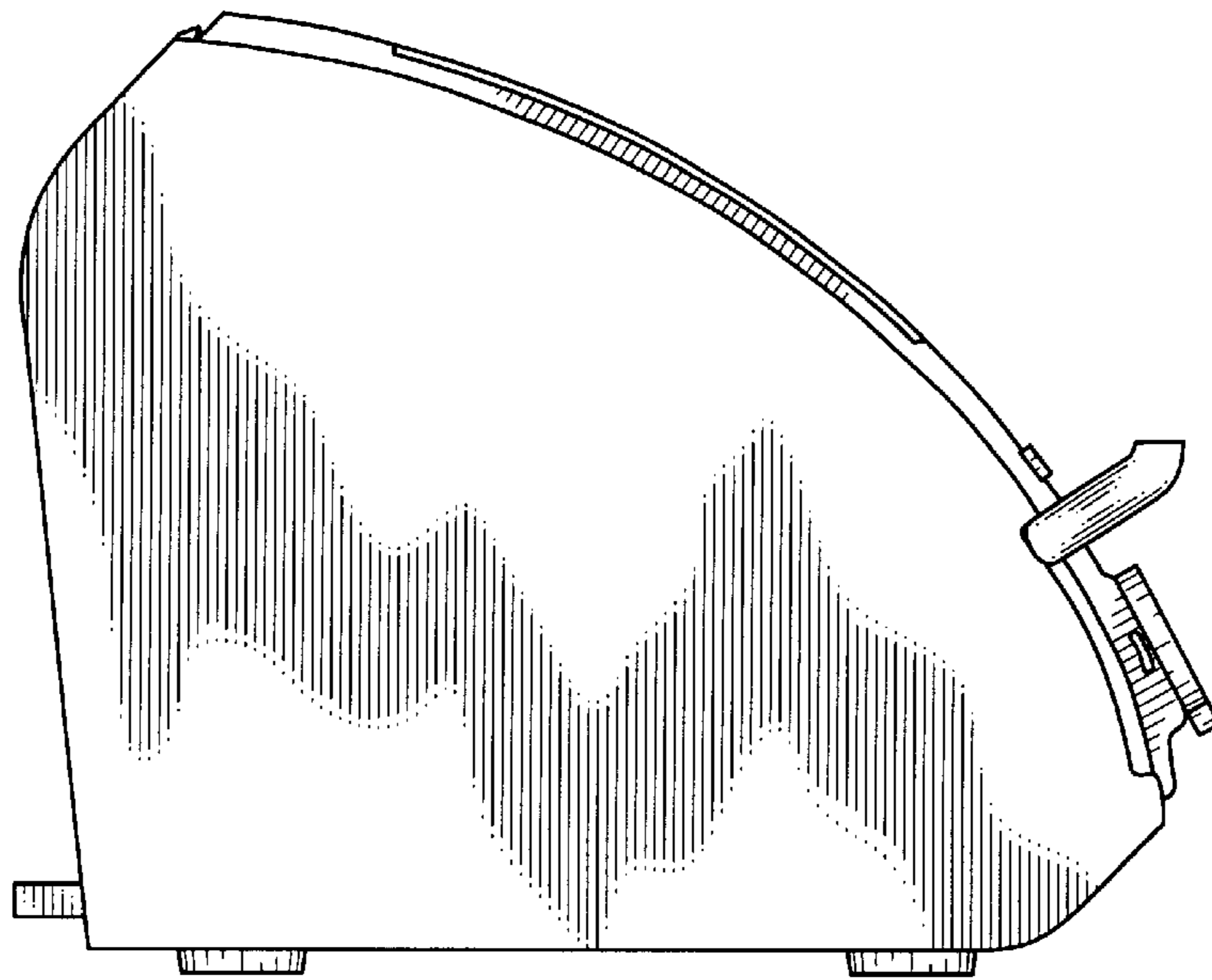


FIG.3

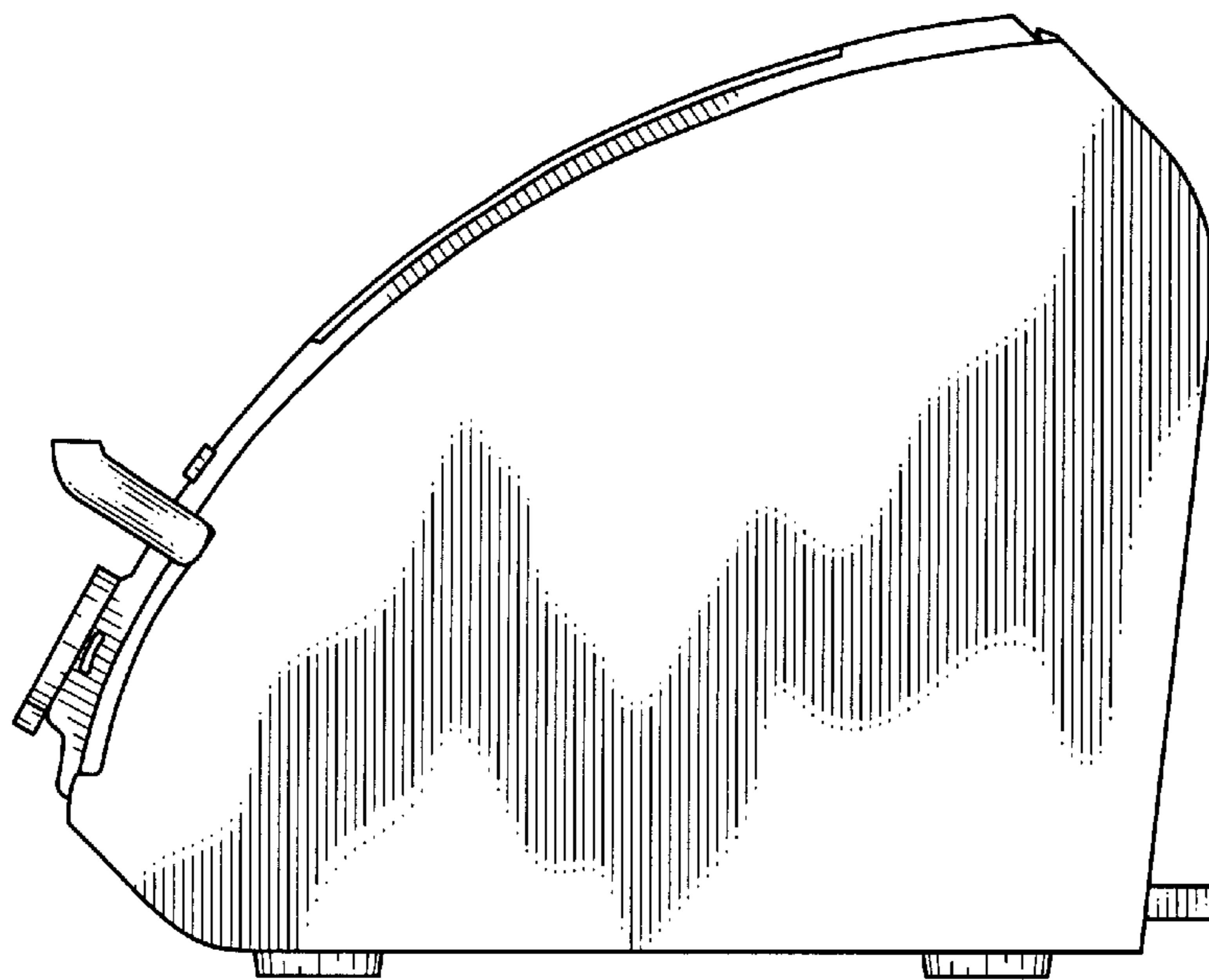


FIG.4

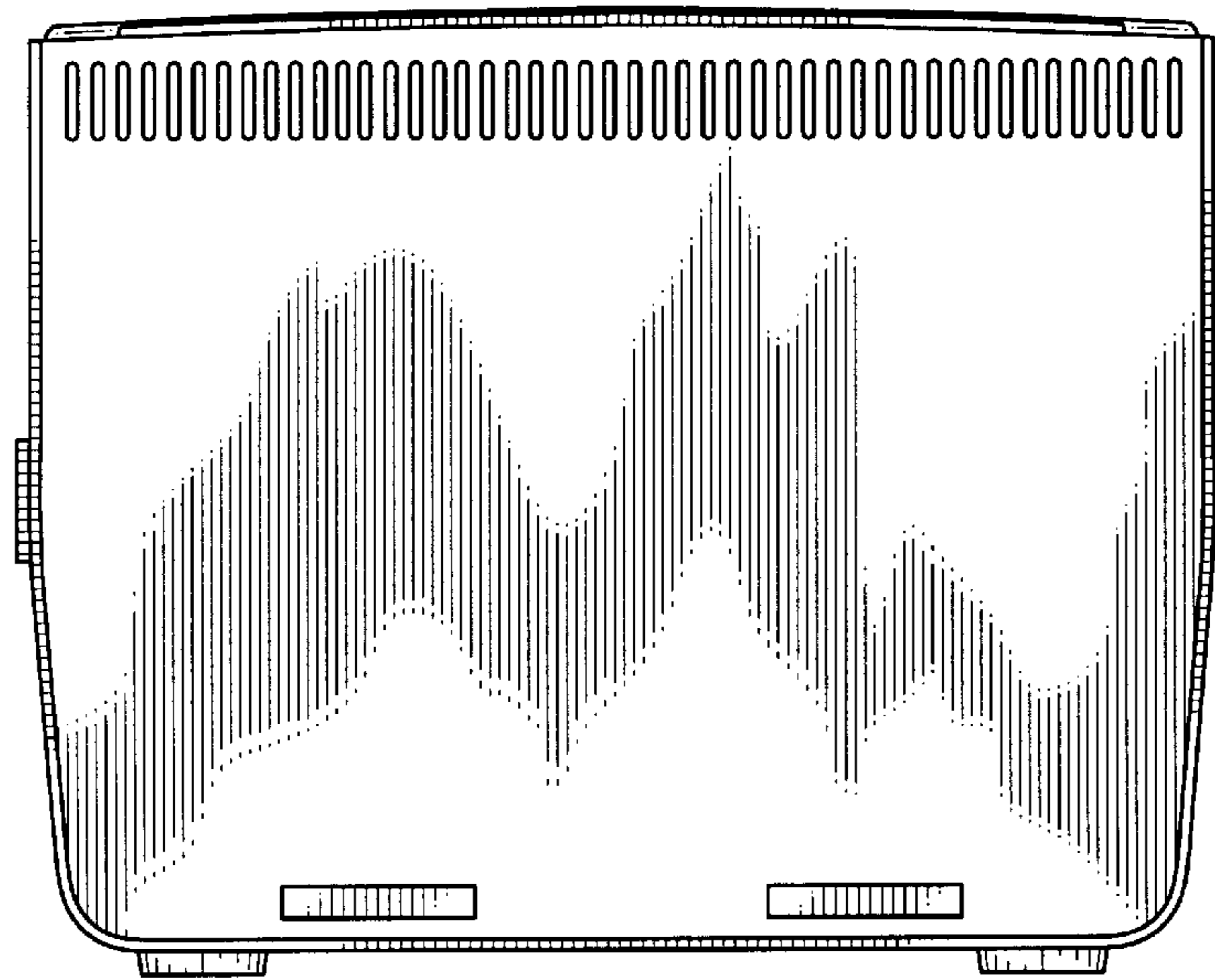


FIG.5

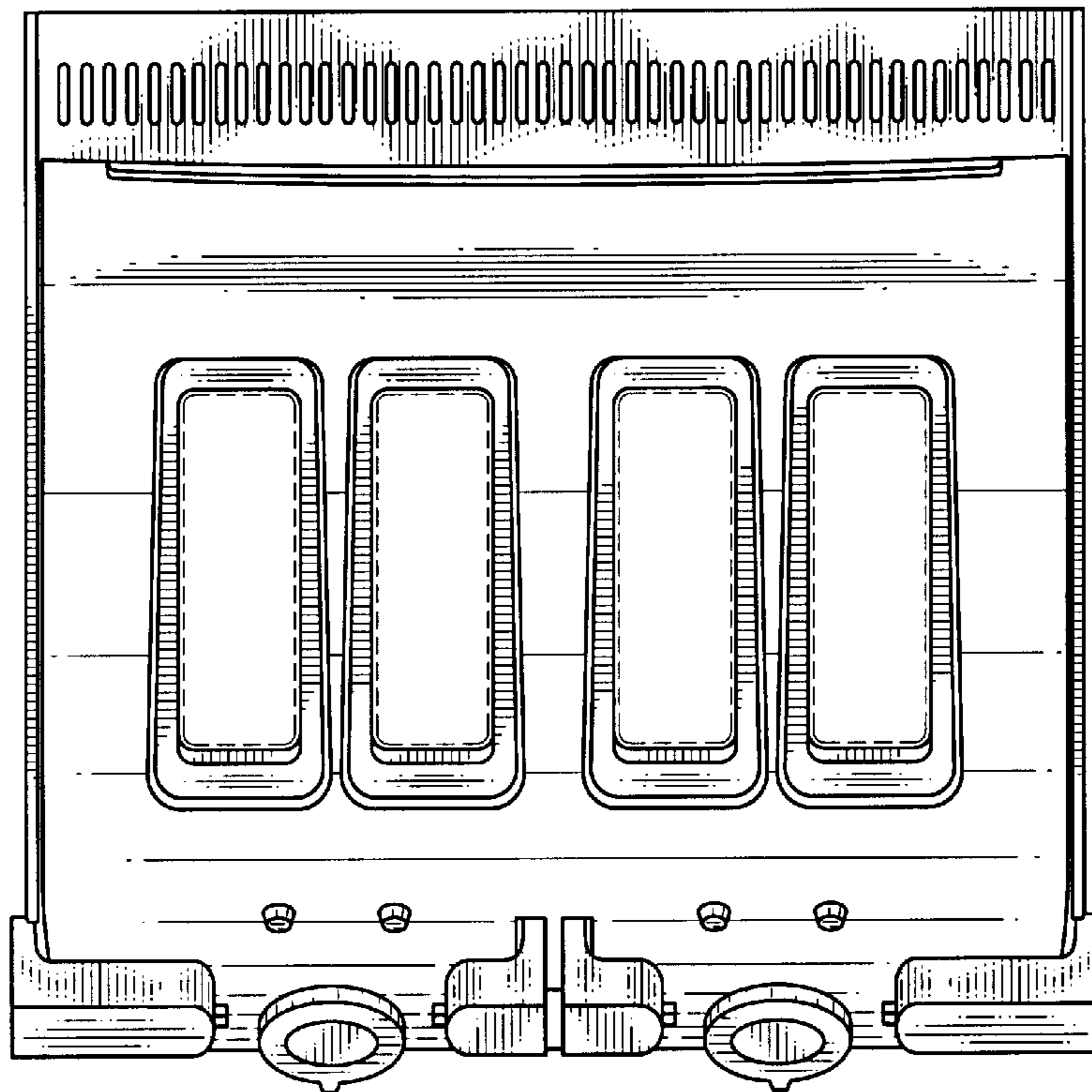


FIG. 6

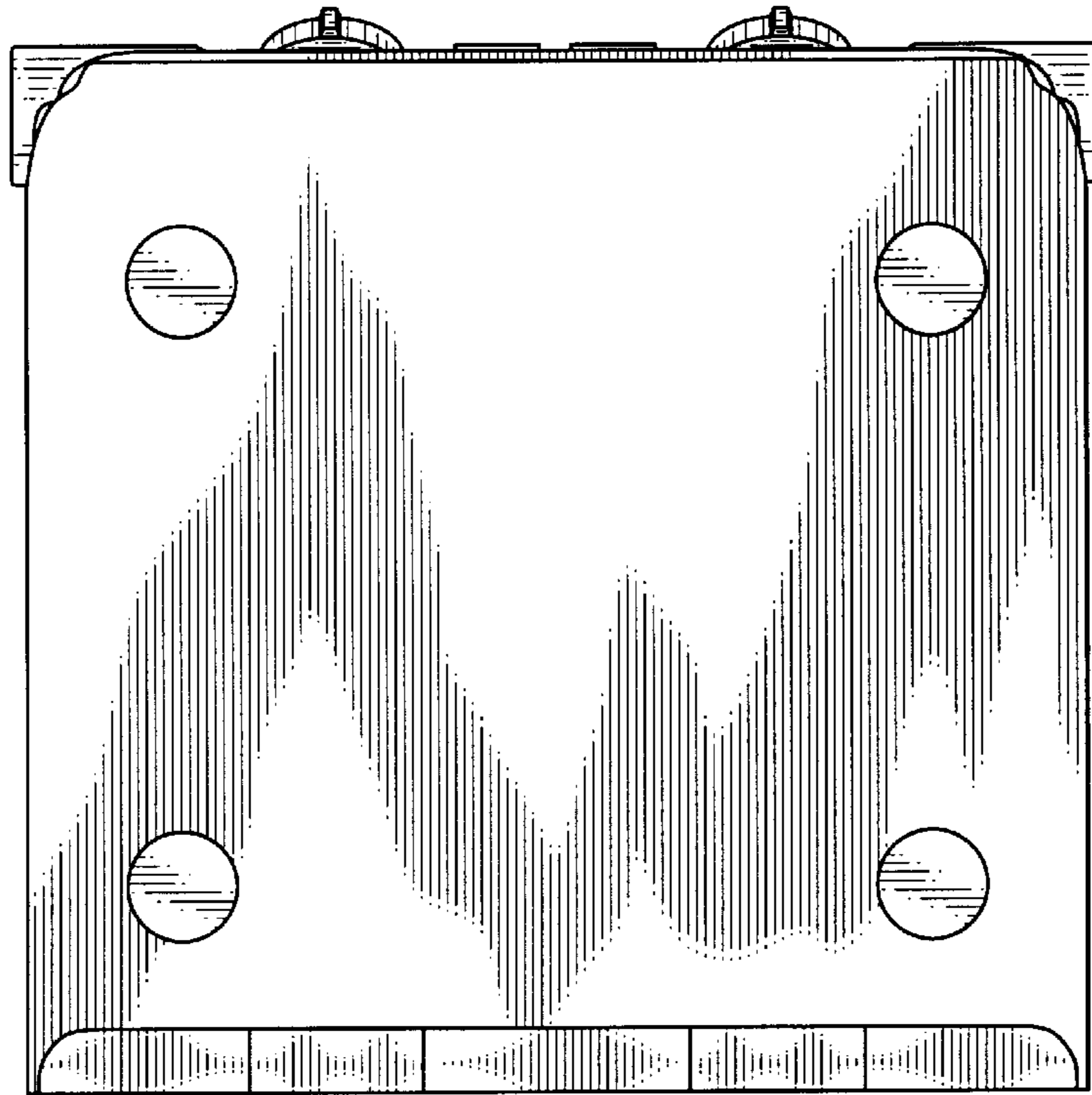


FIG. 7