



US00D527569S

(12) **United States Design Patent**  
**Cohen et al.**

(10) **Patent No.:** **US D527,569 S**

(45) **Date of Patent:** **\*\* Sep. 5, 2006**

(54) **TOASTER**

(75) Inventors: **Paul Cohen**, Watsons Bay (AU);  
**Gerard White**, Alexandria (AU)

(73) Assignee: **Breville Pty Limited**, Botany (AU)

(\*\*) Term: **14 Years**

(21) Appl. No.: **29/218,864**

(22) Filed: **Dec. 9, 2004**

(51) **LOC (8) Cl.** ..... **07-02**

(52) **U.S. Cl.** ..... **D7/330**

(58) **Field of Classification Search** ..... D7/323,  
D7/328-333, 385, 390, 340, 341, 346, 365,  
D7/367, 402, 405, 406, 407, 411; D13/158,  
D13/162, 162.1, 163; D21/525; 99/331, 332,  
99/357, 375, 385; 219/214, 388, 405, 443.1,  
219/450.1, 492

See application file for complete search history.

(56) **References Cited**

**U.S. PATENT DOCUMENTS**

D338,368 S \* 8/1993 Naft et al. .... D7/330  
D378,971 S \* 4/1997 Cruz ..... D7/330  
D415,924 S \* 11/1999 Powel ..... D7/330

D422,833 S \* 4/2000 Cruz et al. .... D7/330  
D424,362 S \* 5/2000 Parker et al. .... D7/330  
D428,759 S \* 8/2000 Hughes ..... D7/330  
D436,792 S \* 1/2001 Parker et al. .... D7/330  
D488,664 S \* 4/2004 Seum et al. .... D7/330

**FOREIGN PATENT DOCUMENTS**

GB 3019730 \* 12/2004

\* cited by examiner

*Primary Examiner*—Caron D. Veynar

*Assistant Examiner*—Ricky Pham

(74) *Attorney, Agent, or Firm*—Molins & Co

(57) **CLAIM**

The ornamental design for a toaster, as shown.

**DESCRIPTION**

FIG. 1 is a perspective view of a toaster showing my new design;

FIG. 2 is a front elevational view thereof;

FIG. 3 is a right side elevational view thereof;

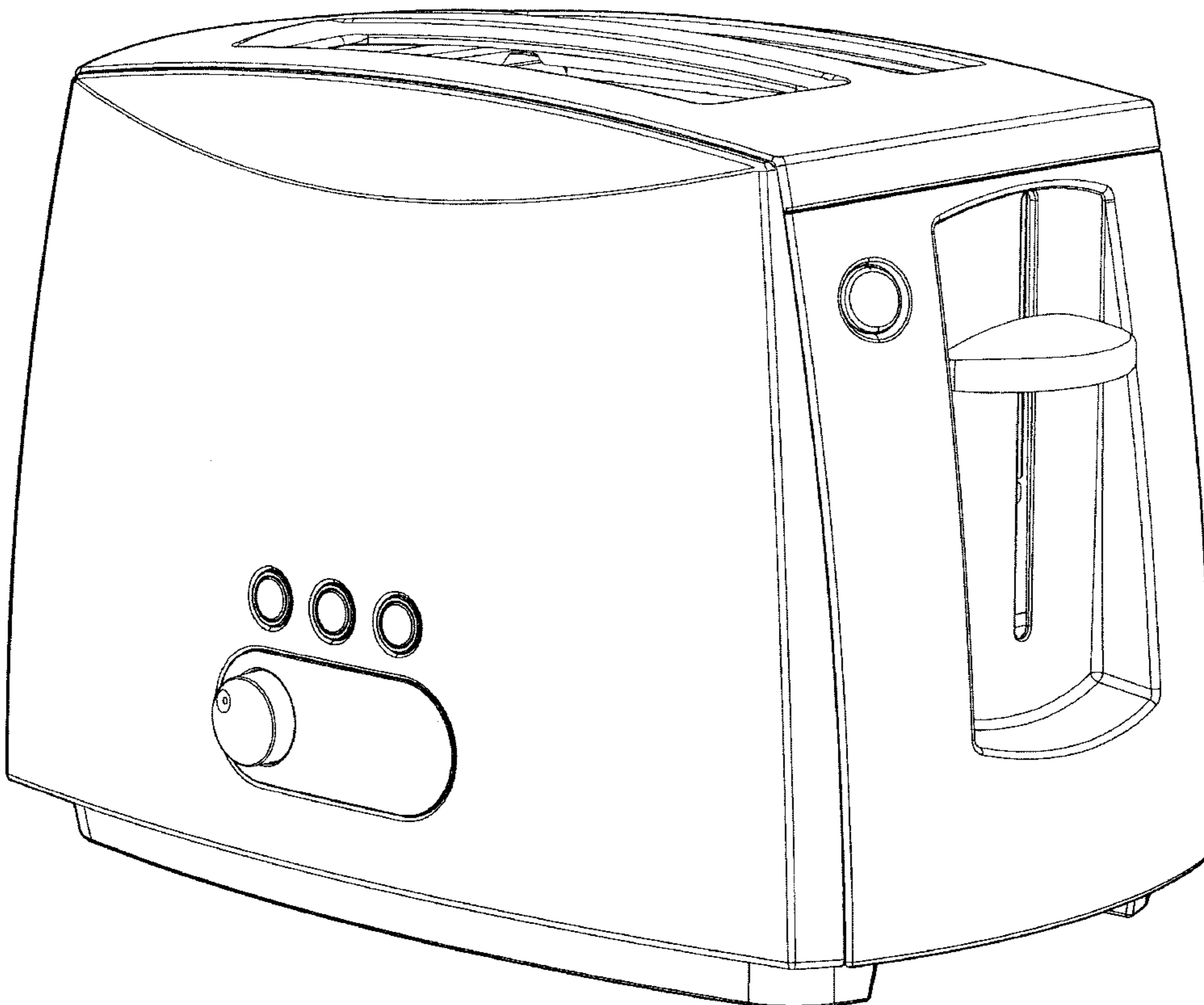
FIG. 4 is a rear elevational view thereof;

FIG. 5 is a left side elevational view thereof;

FIG. 6 is a top plan view thereof; and,

FIG. 7 is a bottom plan view.

**1 Claim, 7 Drawing Sheets**



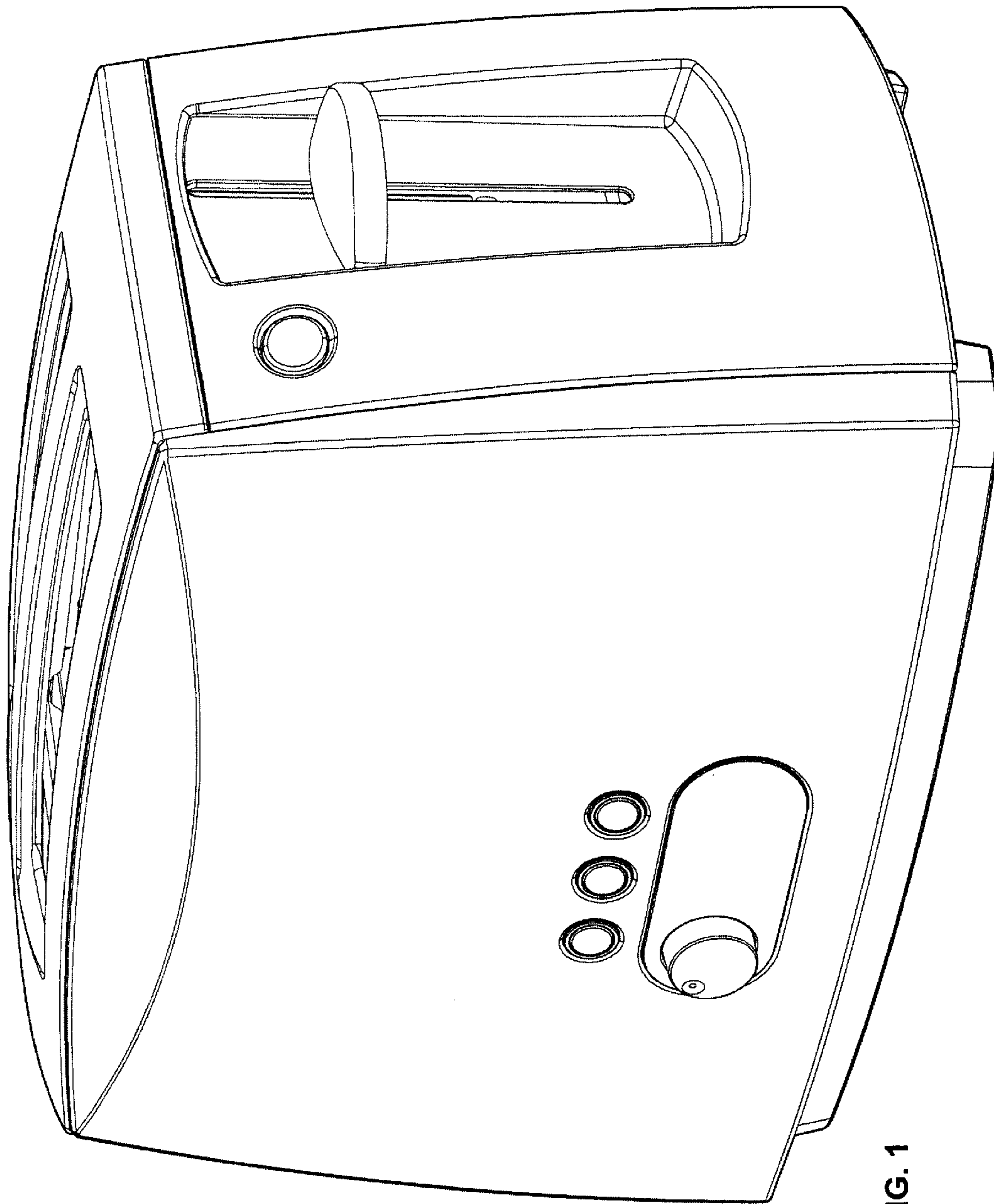


FIG. 1

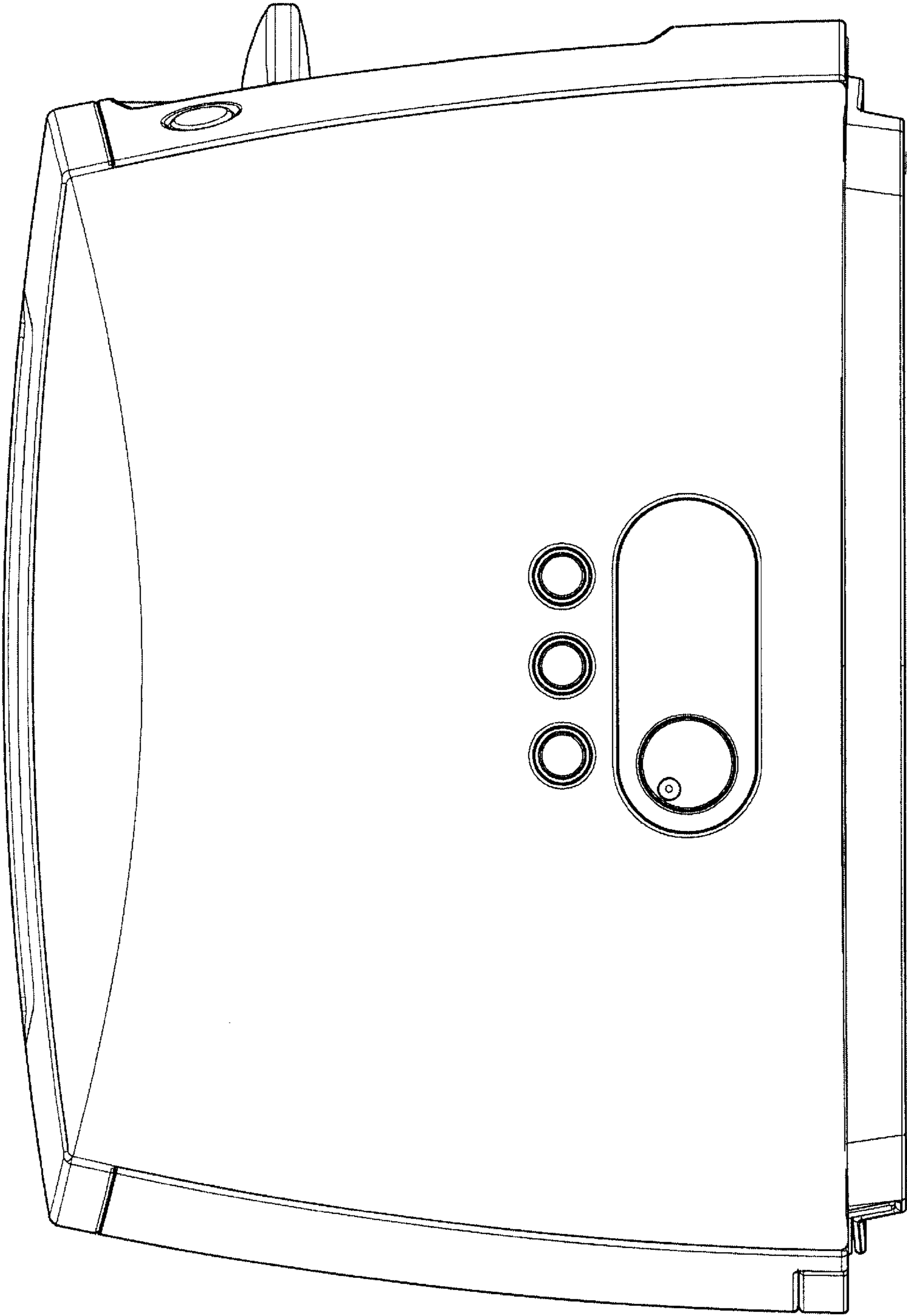


FIG. 2

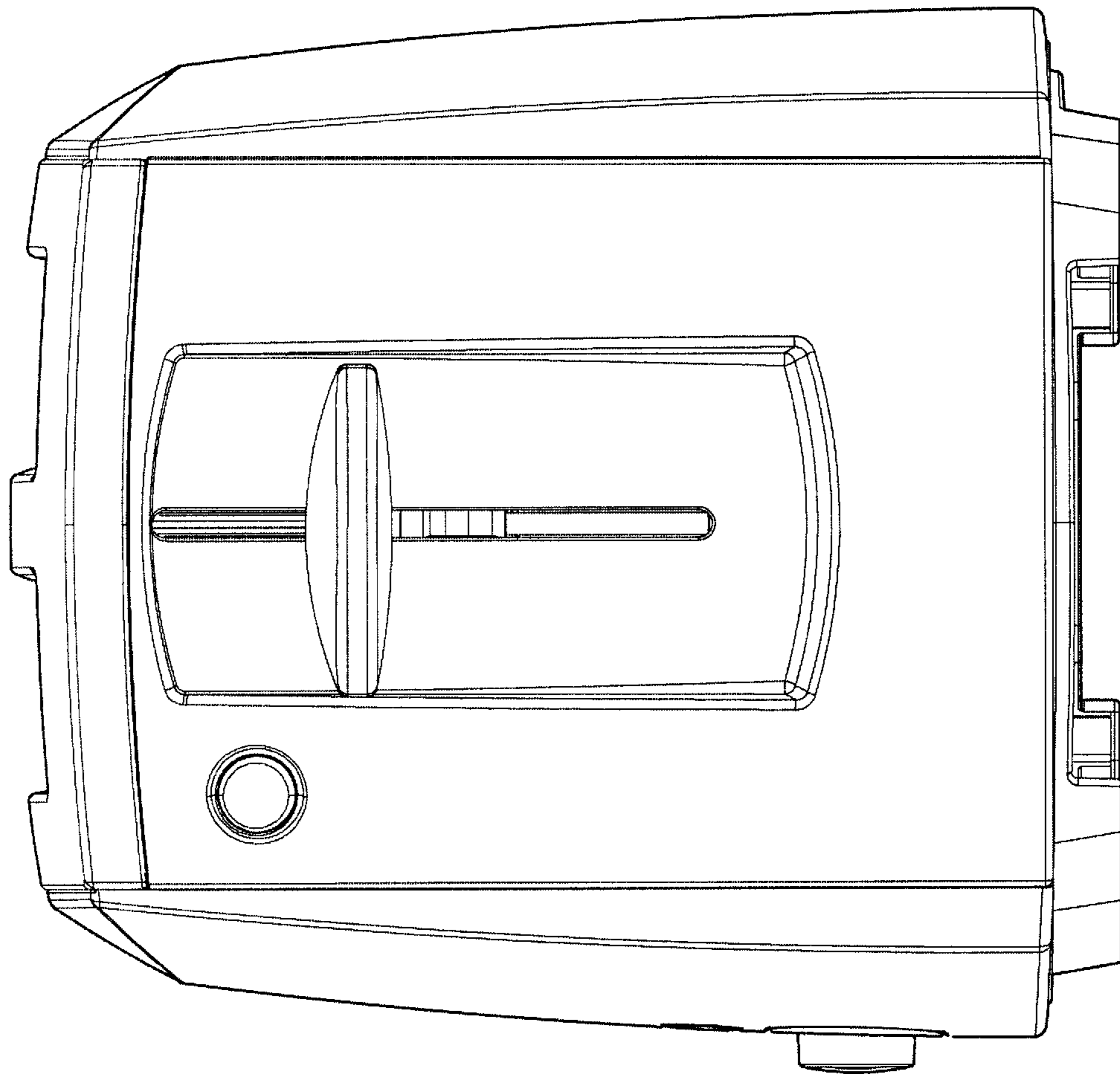


FIG. 3

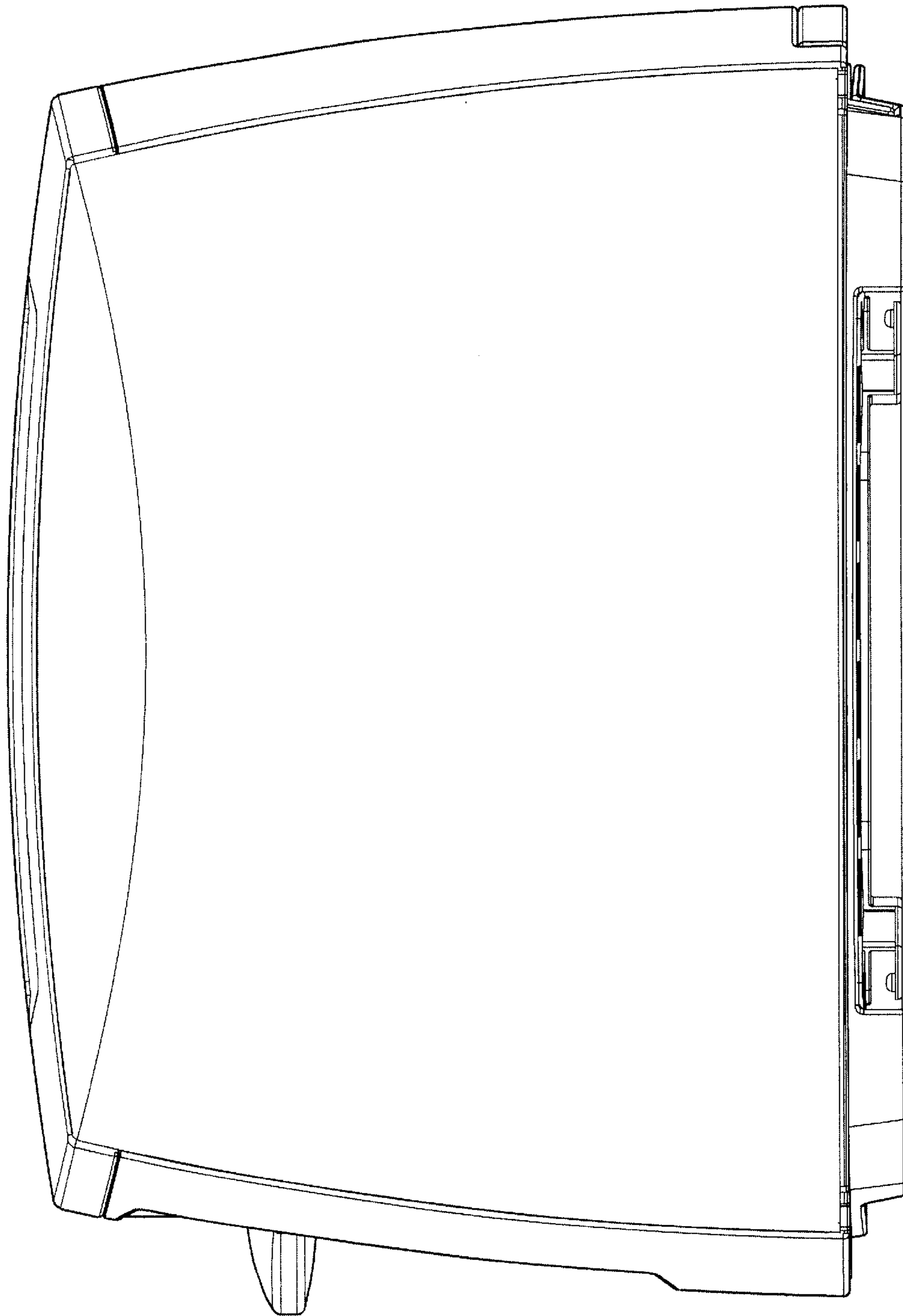


FIG. 4

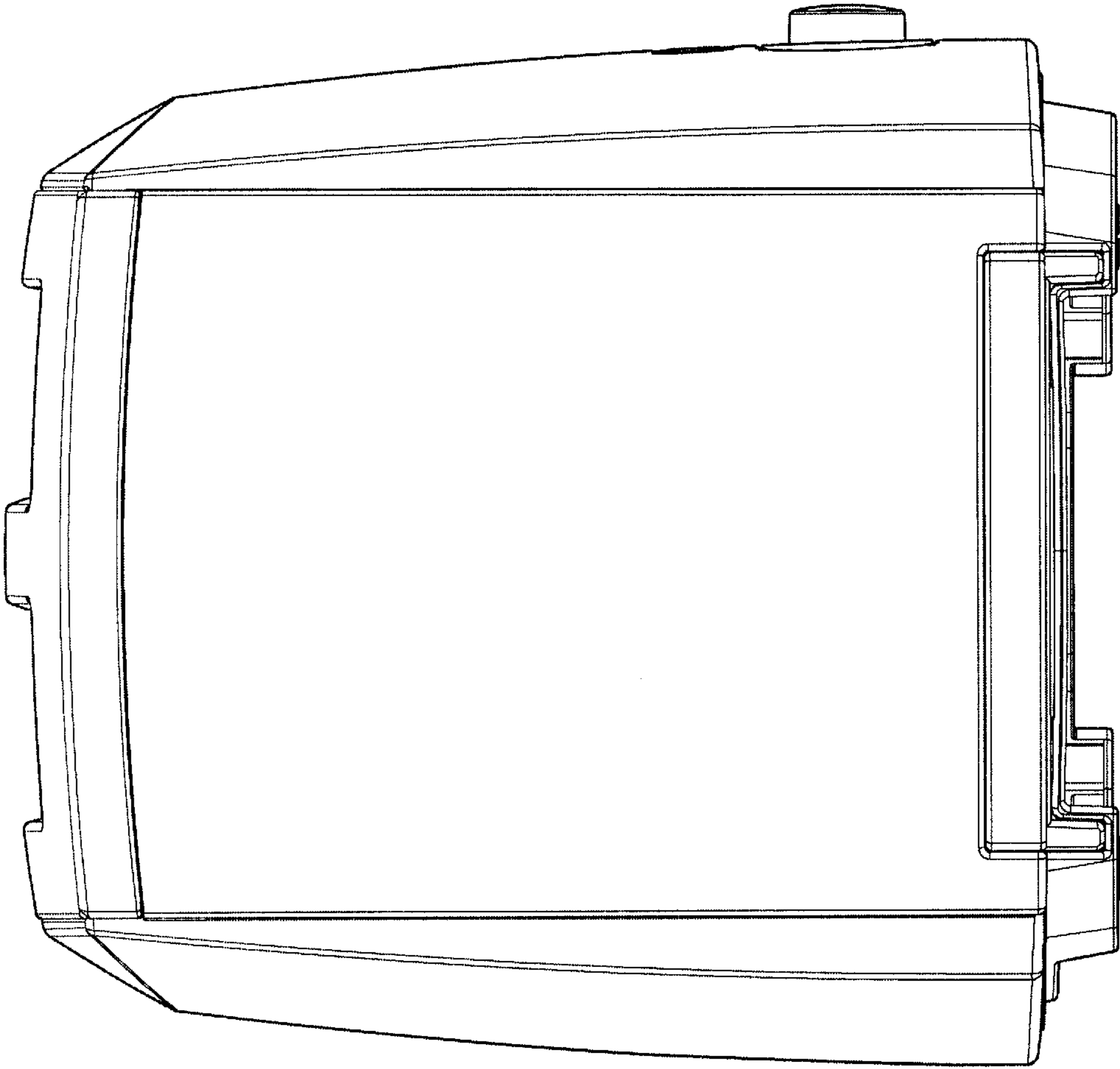


FIG. 5

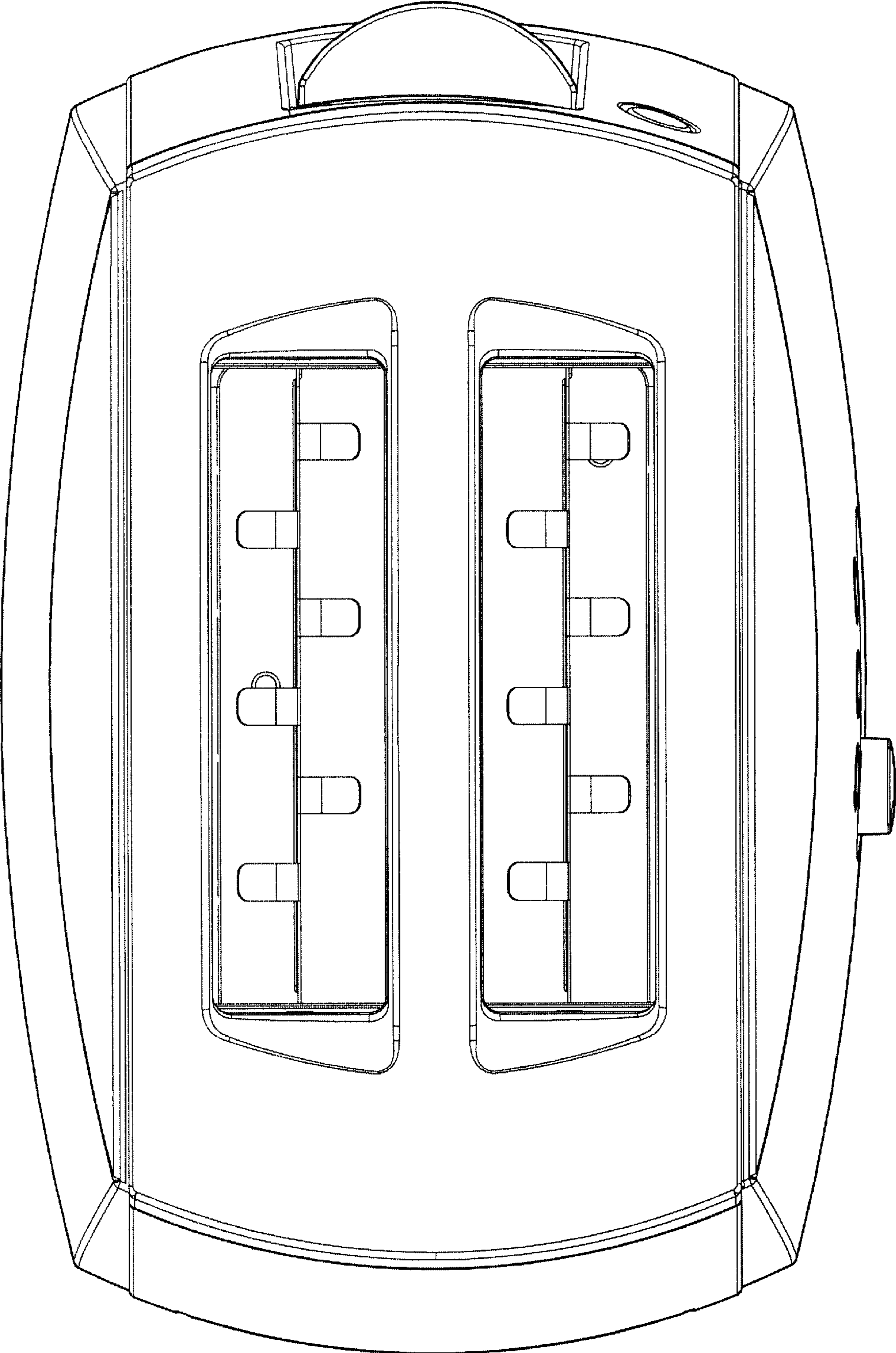


FIG. 6

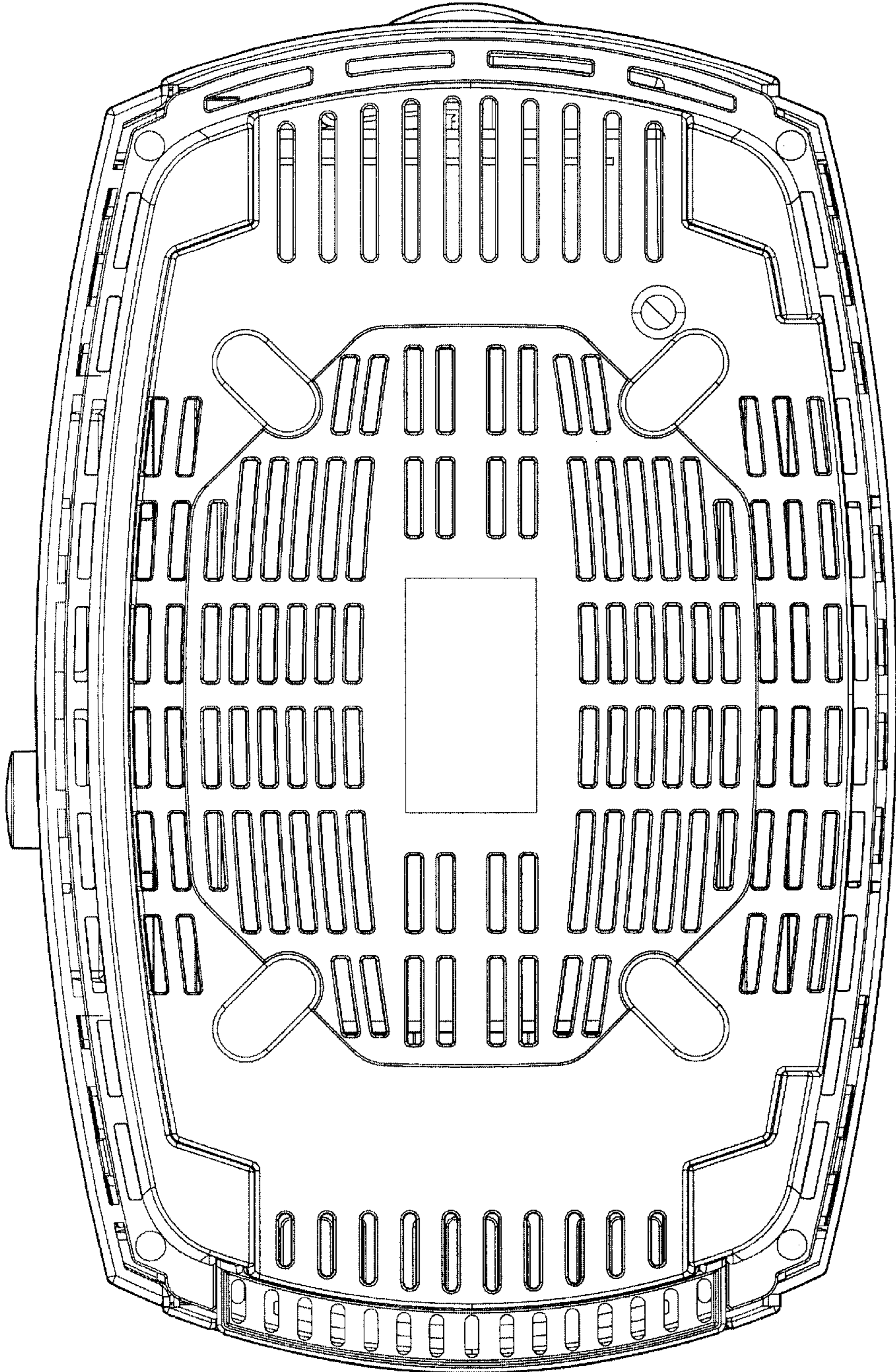


FIG. 1 UNDER SIDE VIEW



UNITED STATES PATENT AND TRADEMARK OFFICE  
**CERTIFICATE OF CORRECTION**

PATENT NO. : Des. 527,569 S  
APPLICATION NO. : 29/218864  
DATED : September 5, 2006  
INVENTOR(S) : Paul Cohen and Gerard White

Page 1 of 1

It is certified that error appears in the above-identified patent and that said Letters Patent is hereby corrected as shown below:

On Title Page item 30

The first page of the Patent does not list the priority information, being:

Country: Australia      Priority No.: 200413188      Priority Date: 29 June 2004

Signed and Sealed this

Twelfth Day of December, 2006

A handwritten signature in black ink on a light gray dotted background. The signature reads "Jon W. Dudas" in a cursive style.

JON W. DUDAS

*Director of the United States Patent and Trademark Office*