



US00D527568S

(12) **United States Design Patent**
Page et al.

(10) **Patent No.:** **US D527,568 S**
(45) **Date of Patent:** **** Sep. 5, 2006**

(54) **TWO SLICE TOASTER**
(75) Inventors: **Mike Page**, Fort Lauderdale, FL (US);
Nate Lynch, Fort Lauderdale, FL (US)
(73) Assignee: **Sunbeam Products, Inc.**, Boca Raton,
FL (US)
(**) Term: **14 Years**

D422,833 S * 4/2000 Cruz et al. D7/330
D428,759 S * 8/2000 Hughes D7/330
D432,345 S * 10/2000 Saltet D7/330
D436,792 S * 1/2001 Parker et al. D7/330
D440,460 S * 4/2001 Davis et al. D7/330
D470,355 S * 2/2003 Xie et al. D7/330
D474,640 S * 5/2003 Holderfield et al. D7/330
D488,664 S * 4/2004 Seum et al. D7/330
D502,629 S * 3/2005 Guyett et al. D7/330
D509,702 S * 9/2005 Picozza et al. D7/330
D510,676 S * 10/2005 Picozza et al. D7/330
D511,923 S * 11/2005 Wu D7/330

(21) Appl. No.: **29/213,734**
(22) Filed: **Sep. 21, 2004**

* cited by examiner

(51) **LOC (8) Cl.** **07-02**
(52) **U.S. Cl.** **D7/330**
(58) **Field of Classification Search** D7/323,
D7/328-333, 385, 390, 340, 341, 346, 365,
D7/367, 402, 405, 406, 407, 411; D13/158,
D13/162, 162.1, 163; D21/525; 99/331, 332,
99/357, 375, 385; 219/214, 388, 405, 443.1,
219/450.1, 492

Primary Examiner—Caron D. Veynar
Assistant Examiner—Ricky Pham
(74) *Attorney, Agent, or Firm*—Lawrence J. Shurupoff

See application file for complete search history.

(57) **CLAIM**

The ornamental design for a two slice toaster, as shown and described.

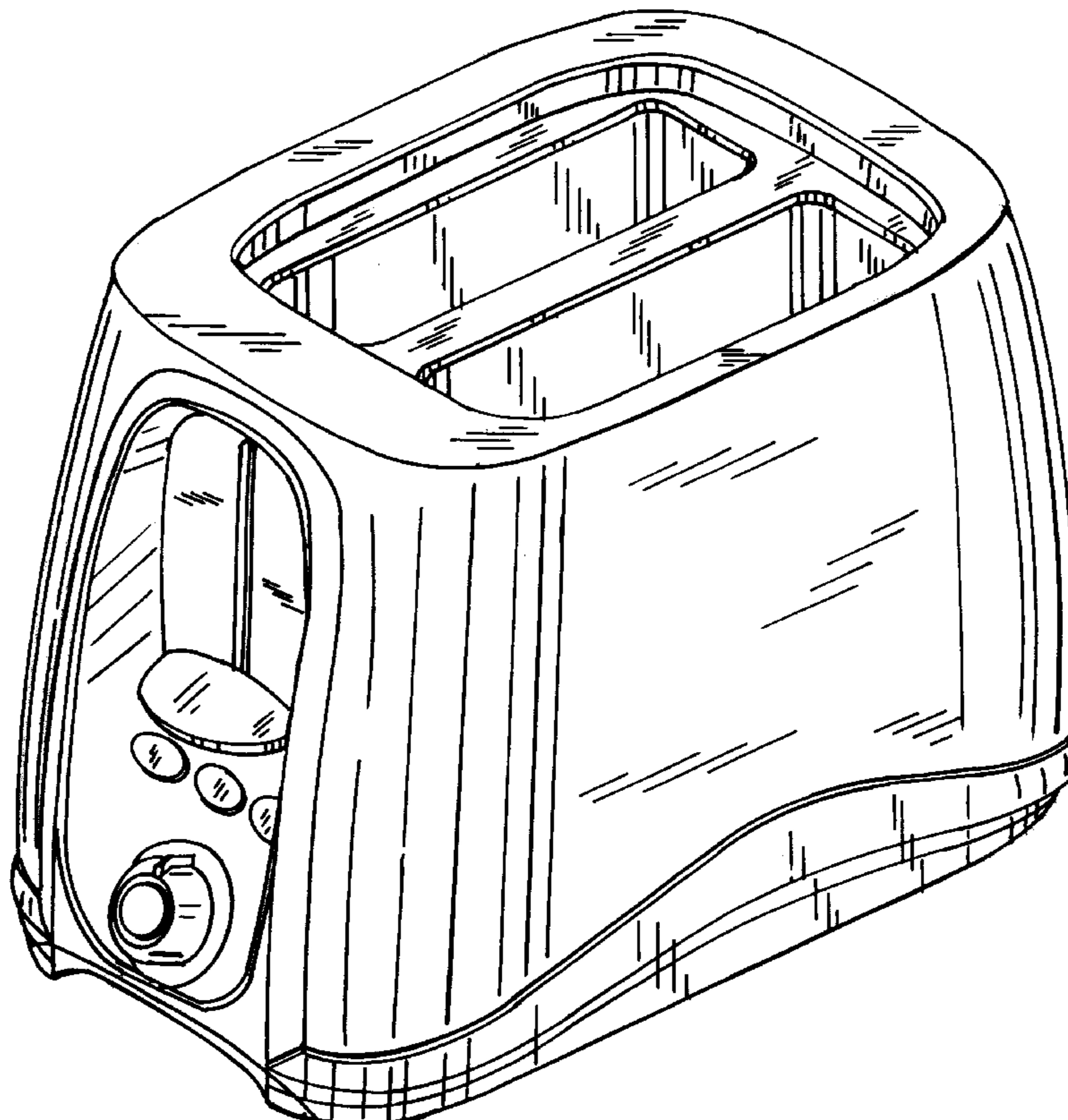
DESCRIPTION

FIG. 1 is a right side elevational view of a two slice toaster and is a mirror image of the left side elevation view; FIG. 2 is a top plan view thereof; FIG. 3 is a front elevational view thereof; FIG. 4 is a back elevational view thereof; and, FIG. 5 is a top right perspective view thereof.

(56) **References Cited**
U.S. PATENT DOCUMENTS

D144,870 S * 5/1946 Platkin D7/329
D158,210 S * 4/1950 Madl D7/330
D338,368 S * 8/1993 Naft et al. D7/330
D401,471 S * 11/1998 Barker D7/330
D415,924 S * 11/1999 Powel D7/330

1 Claim, 4 Drawing Sheets



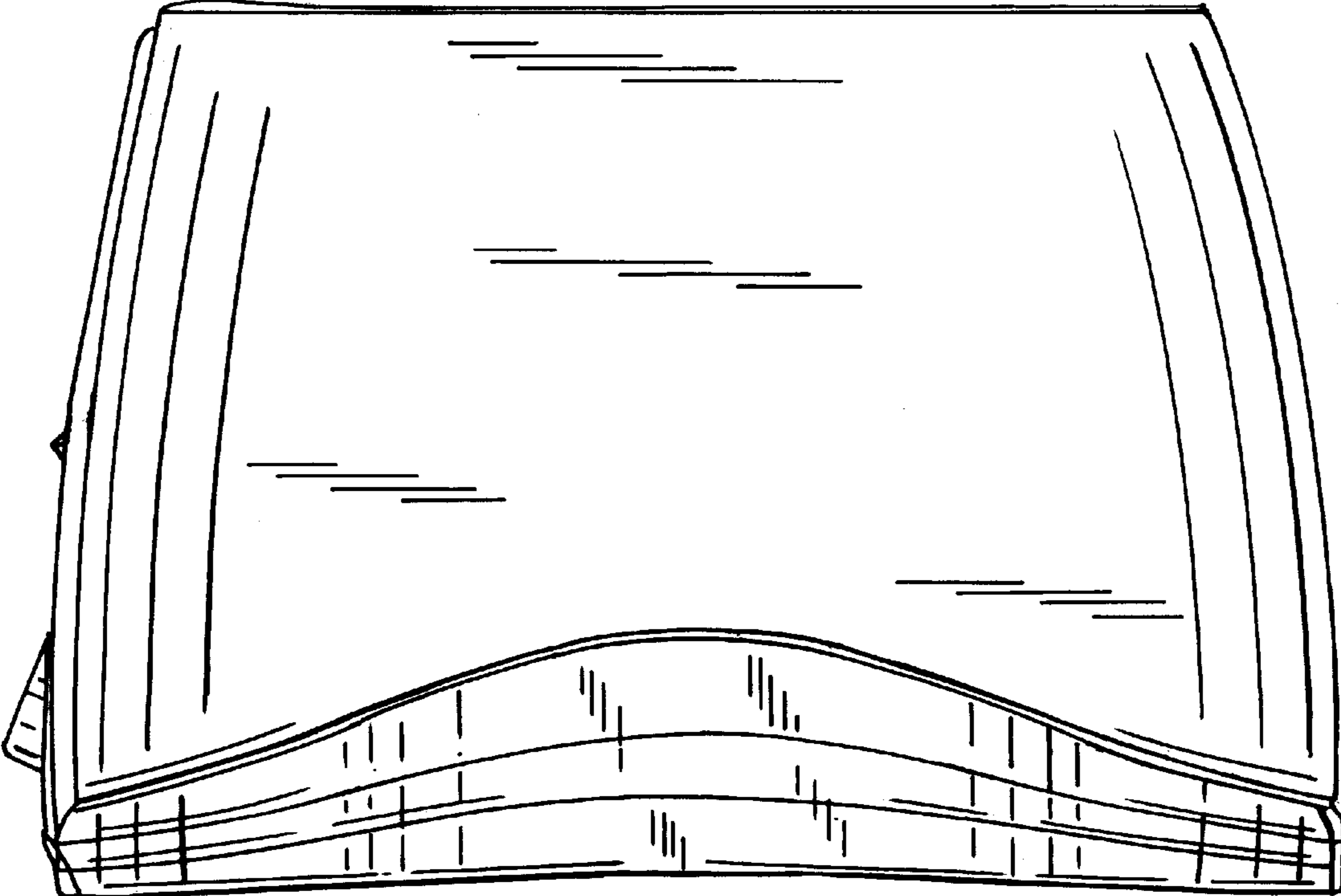


FIG. 1

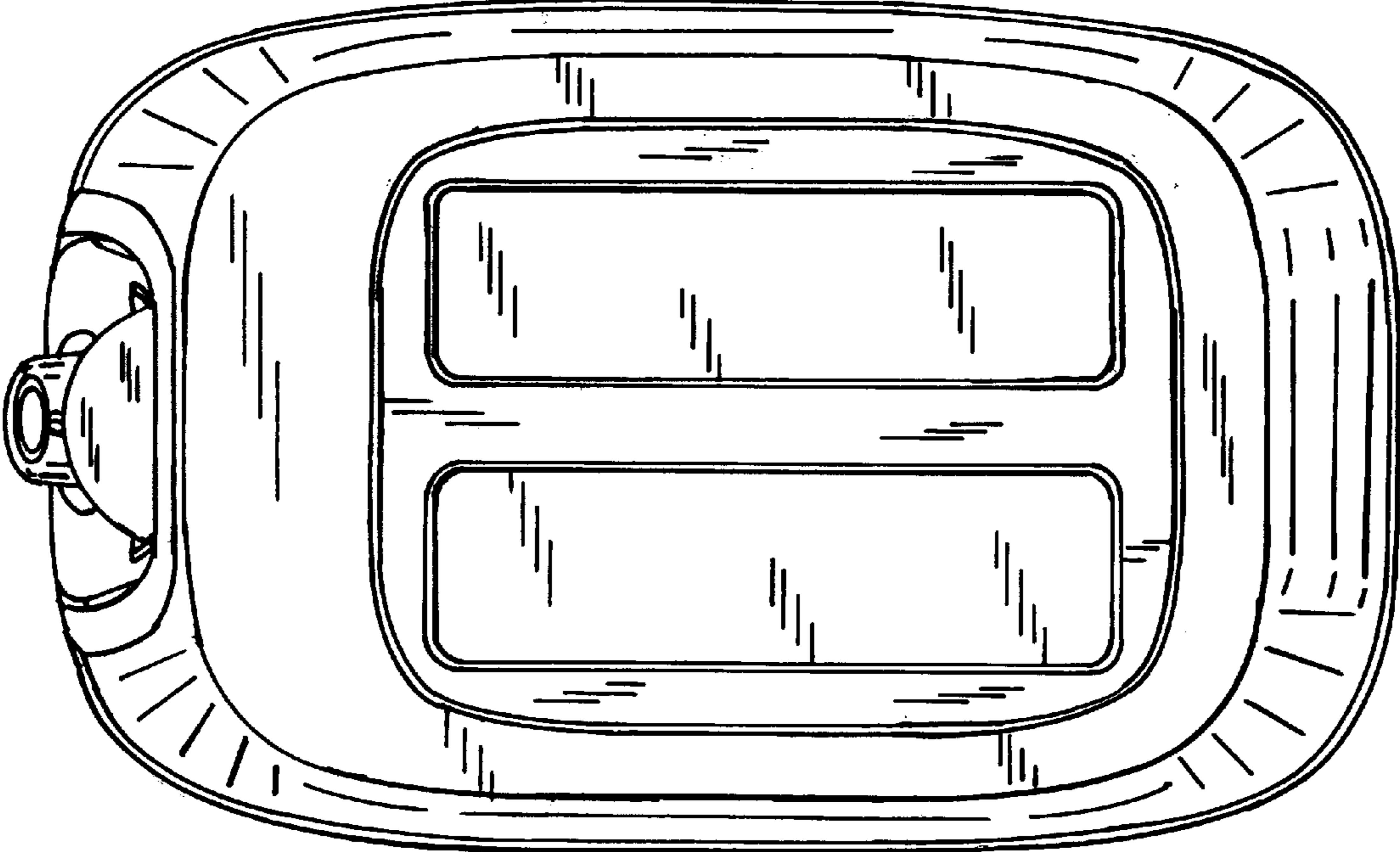


FIG. 2

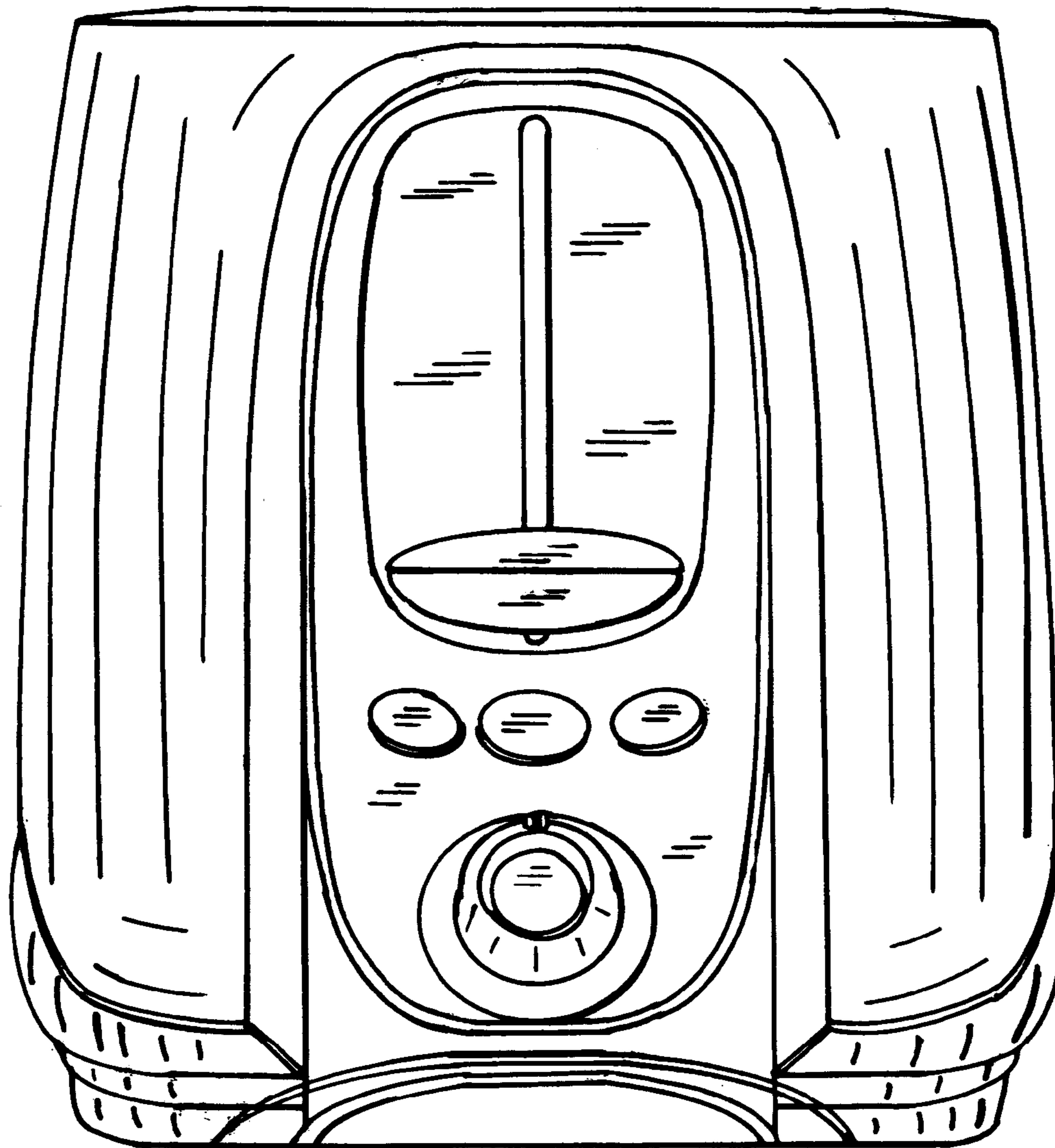


FIG. 3

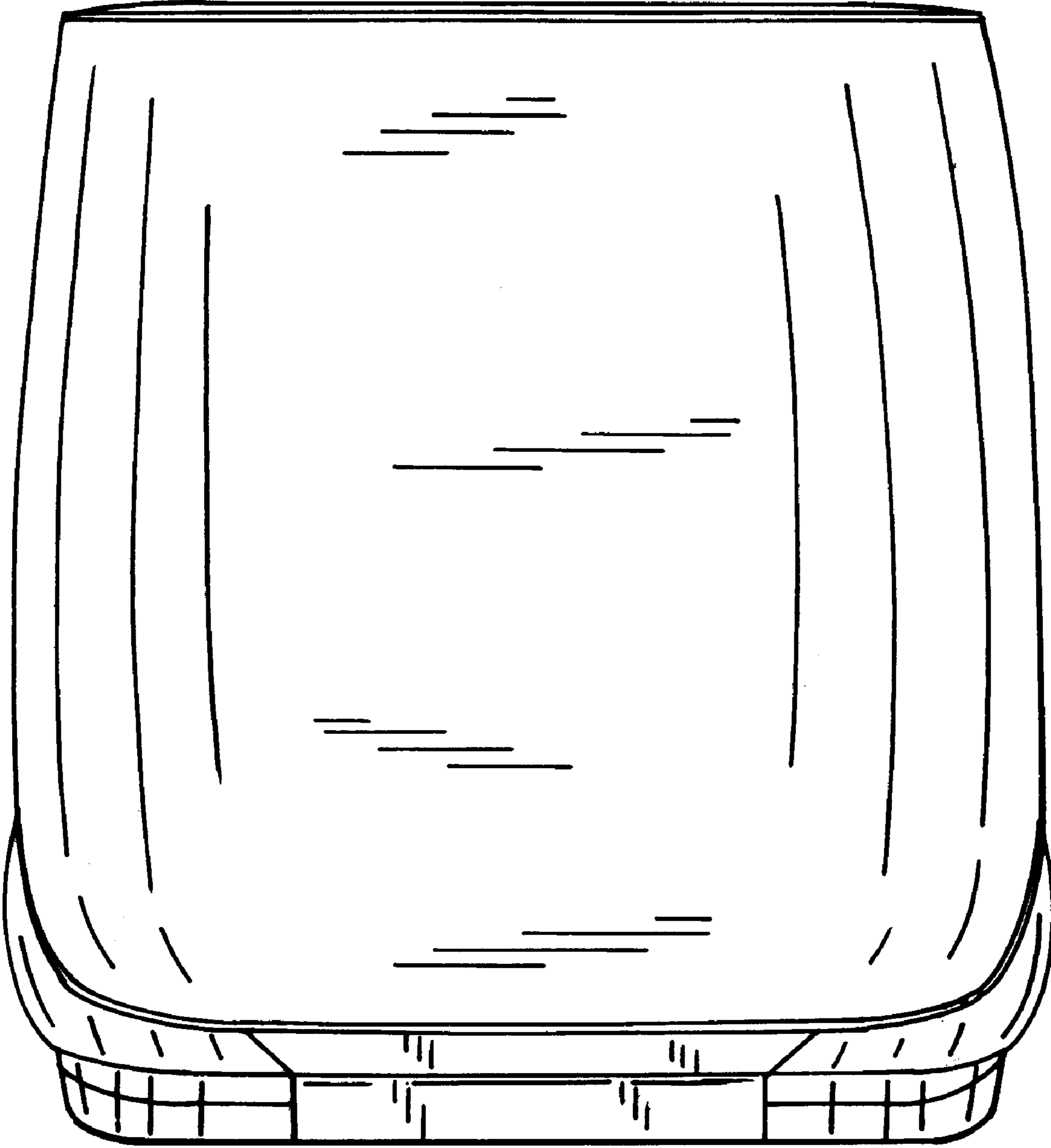


FIG.4

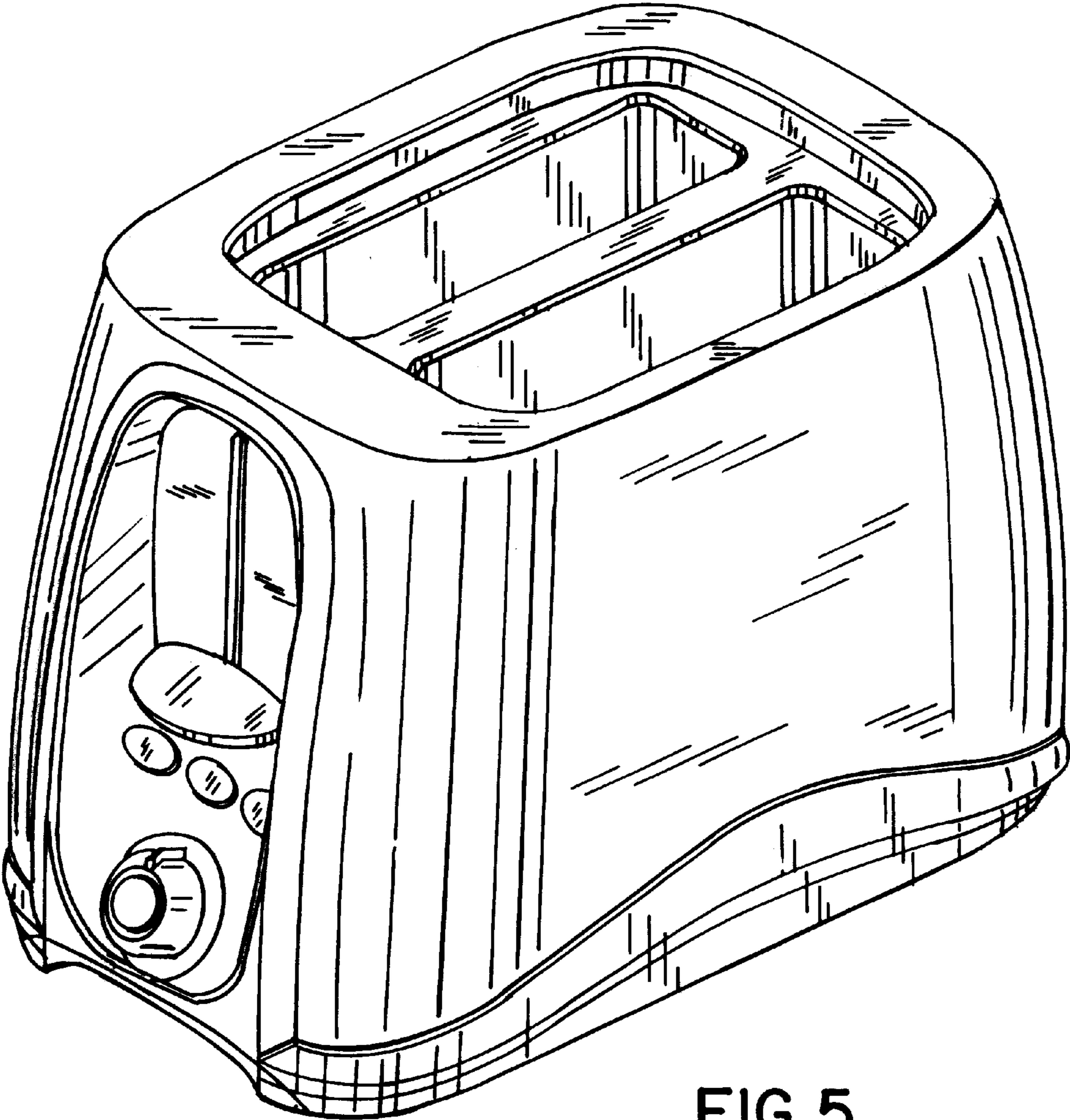


FIG. 5