

US00D527561S

(12) **United States Design Patent** (10) **Patent No.:** **US D527,561 S**
Jonson (45) **Date of Patent:** **** Sep. 5, 2006**

(54) **SHOWER ROLLFRONT**

(75) Inventor: **Carl Jonson**, Lund (SE)

(73) Assignee: **Carlsrum Design AB**, Lund (SE)

(**) Term: **14 Years**

(21) Appl. No.: **29/210,233**

(22) Filed: **Jul. 28, 2004**

(51) **LOC (8) Cl.** **06-10**

(52) **U.S. Cl.** **D6/575**

(58) **Field of Classification Search** D6/575;
4/567, 558

See application file for complete search history.

(56) **References Cited**

U.S. PATENT DOCUMENTS

2,774,973	A	*	12/1956	Aarnio	4/558
3,062,280	A	*	11/1962	Kellogg	160/341
3,101,485	A	*	8/1963	Kirshenbaum	4/567
4,777,673	A	*	10/1988	Patteson et al.	4/558
D443,455	S	*	6/2001	Hynniman	D6/575
6,276,002	B1	*	8/2001	Oschmann	4/558
D468,950	S	*	1/2003	Judkins	D6/575

* cited by examiner

Primary Examiner—Holly H. Baynham

(74) *Attorney, Agent, or Firm*—Fredrikson & Byron, P.A.

(57) **CLAIM**

I claim the ornamental design for the shower rollfront, as shown and described.

DESCRIPTION

FIG. 1 is a front view of the shower rollfront of my design;
FIG. 2 is a rear view thereof;

FIG. 3 is a perspective view showing a rear upper portion thereof;

FIG. 4 is a perspective view showing a front upper portion thereof;

FIG. 5 is a side view thereof, wherein the lamellas are in an extended configuration;

FIG. 6 is a side view, wherein the lamellas are in a retracted configuration;

FIG. 7 is a front perspective view thereof, wherein the lamellas are in a retracted configuration;

FIG. 8 is a rear perspective view thereof, wherein the lamellas are in a retracted configuration;

FIG. 9 is a top view thereof;

FIG. 10 is a bottom view thereof

FIG. 11 is an enlarged perspective view of the fastening device;

FIG. 12 is a rear view of the fastening device;

FIG. 13 is a front view of the fastening device;

FIG. 14 is a top view of the fastening device;

FIG. 15 is a bottom view of the fastening device;

FIG. 16 is an enlarged perspective view of the lamella having a fastening device; and,

FIG. 17 is a rear perspective view of a lamella having a fastening component.

The elements of the claimed design are shown separately for ease and clarity of illustration.

The views of FIGS. 3 and 4 are shown fragmented for ease of illustration.

1 Claim, 17 Drawing Sheets

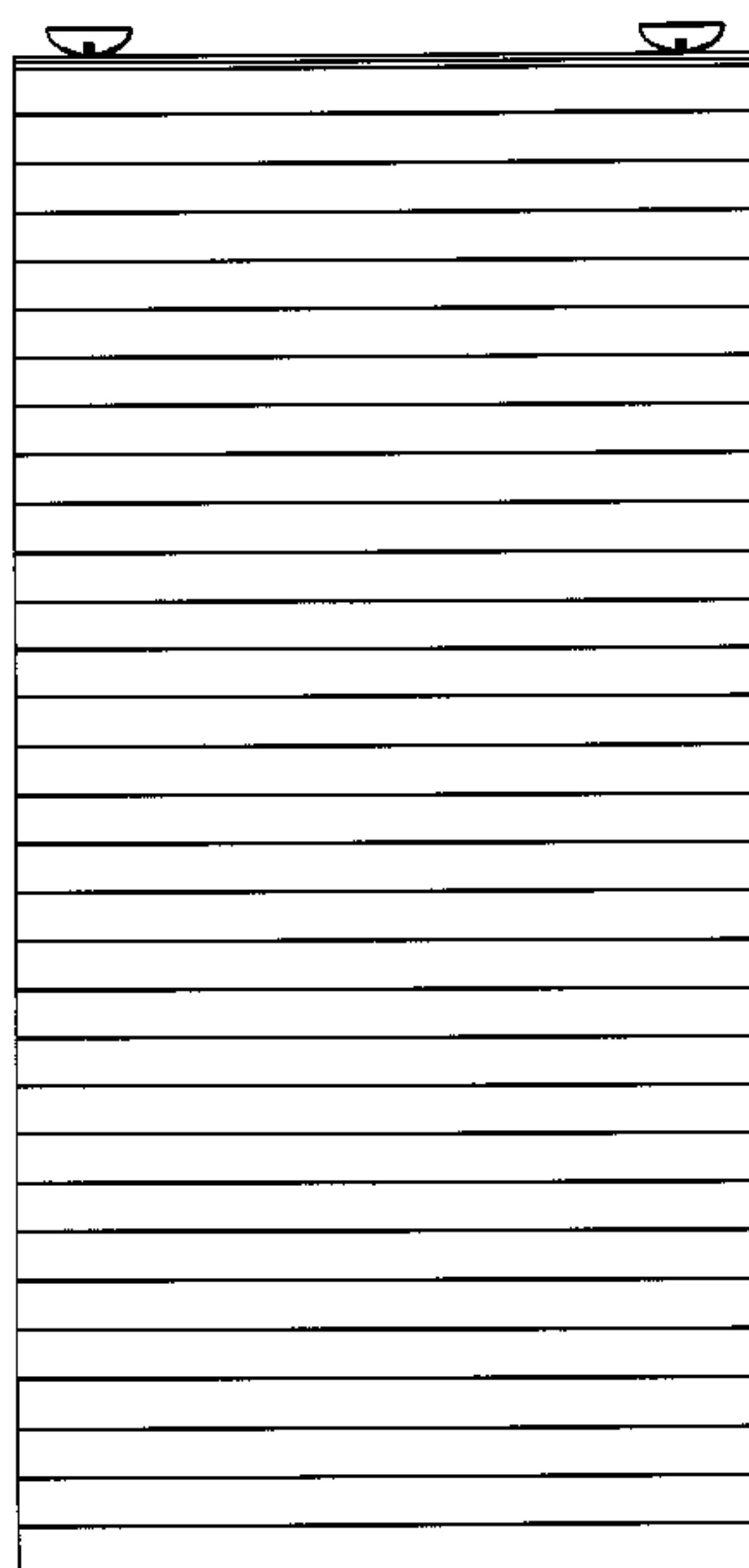


Fig. 1

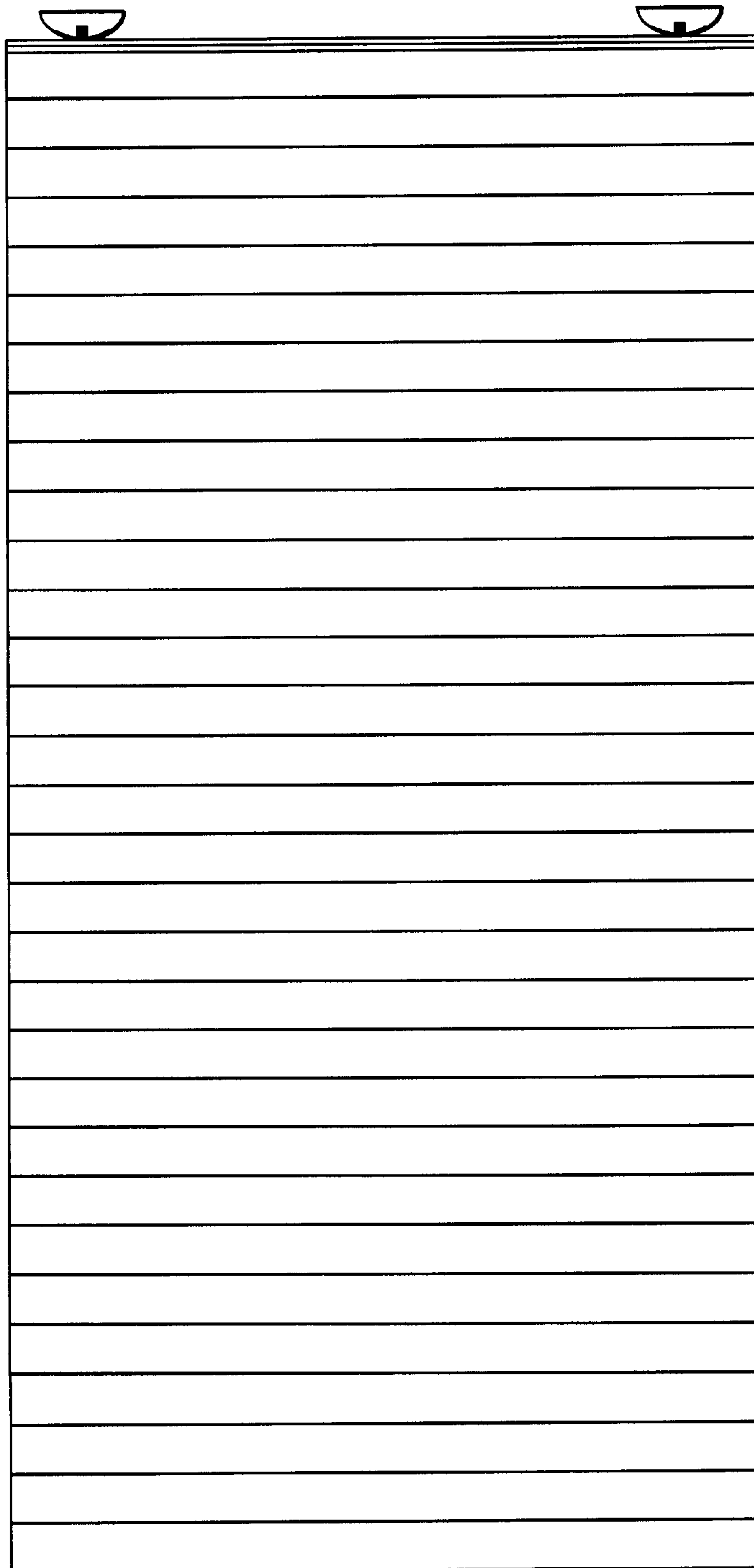


Fig. 2

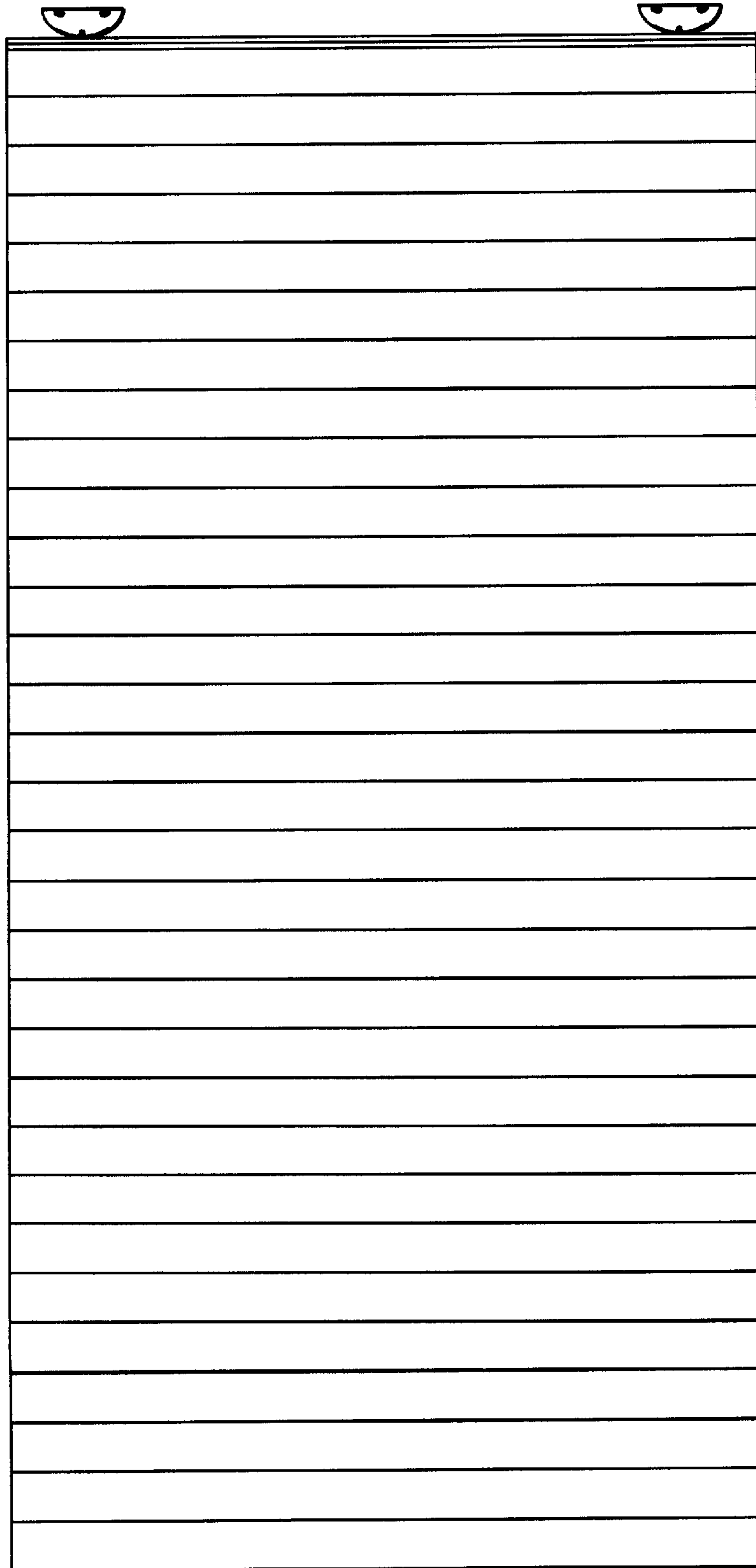


Fig. 3

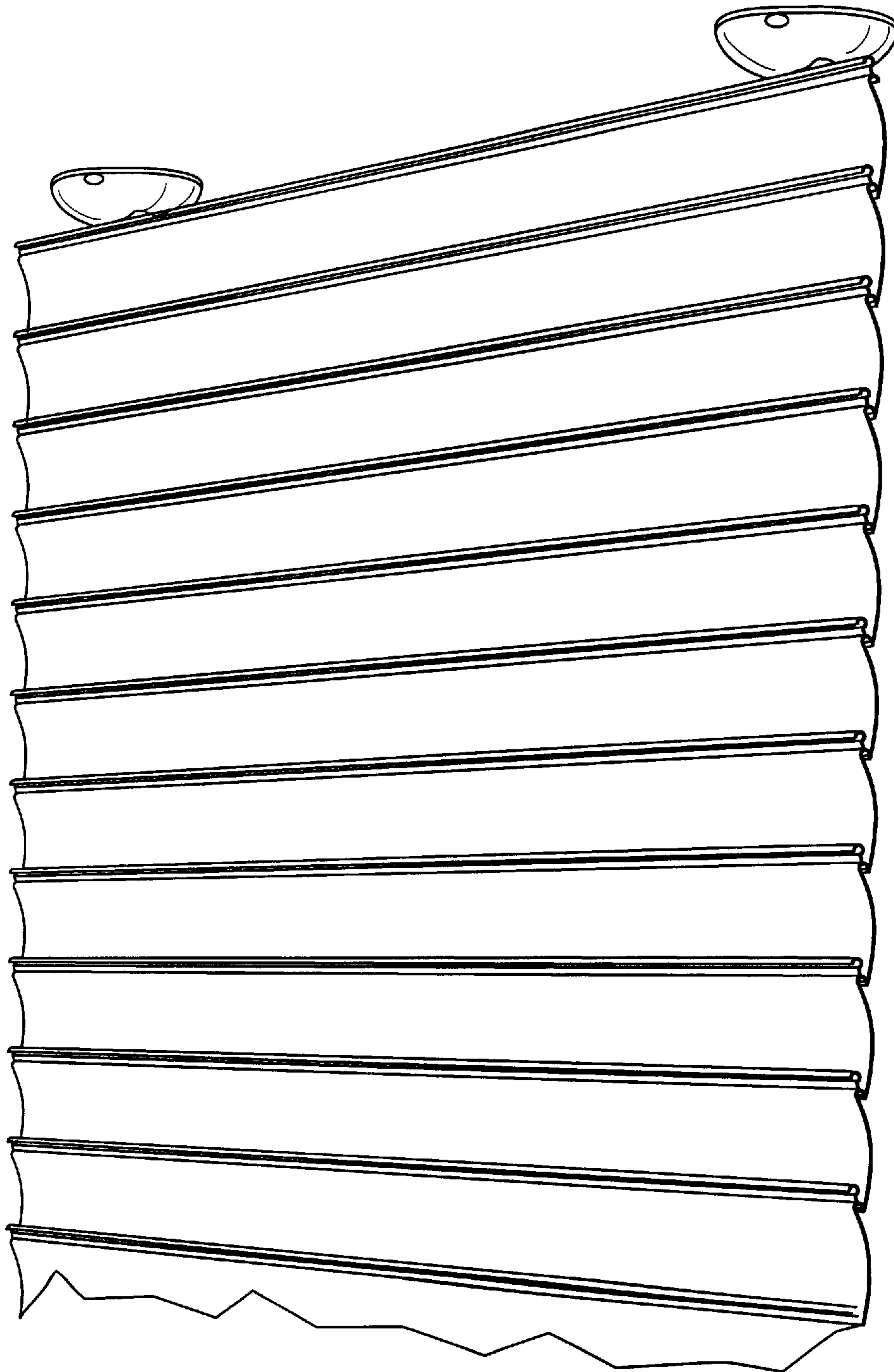


Fig. 4

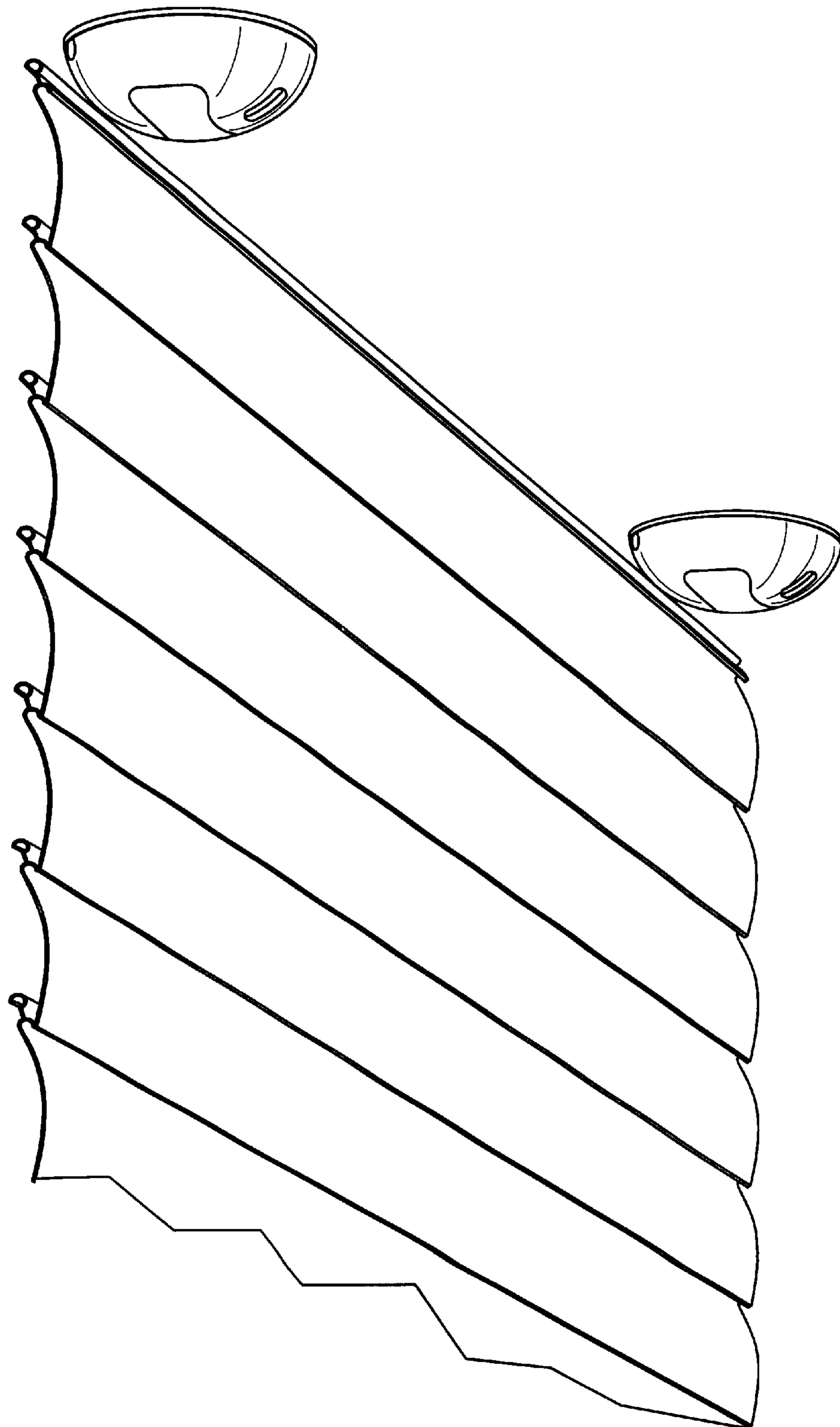


Fig. 5

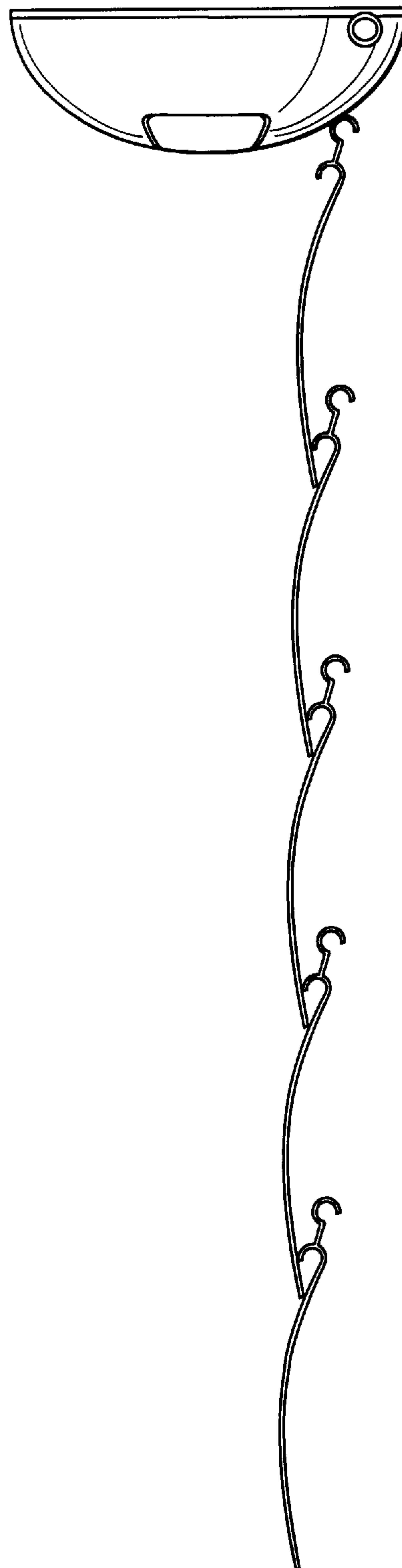


Fig. 6

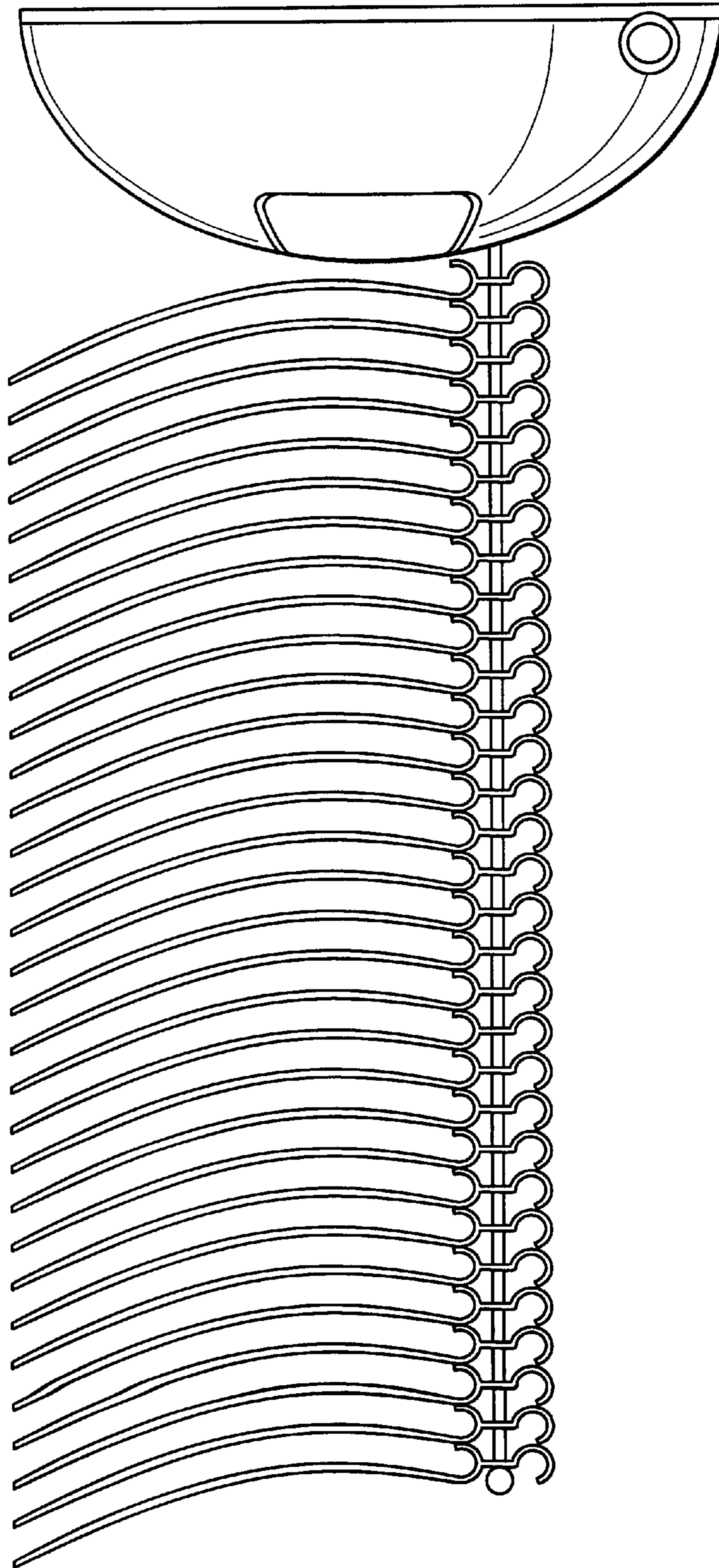


Fig. 7

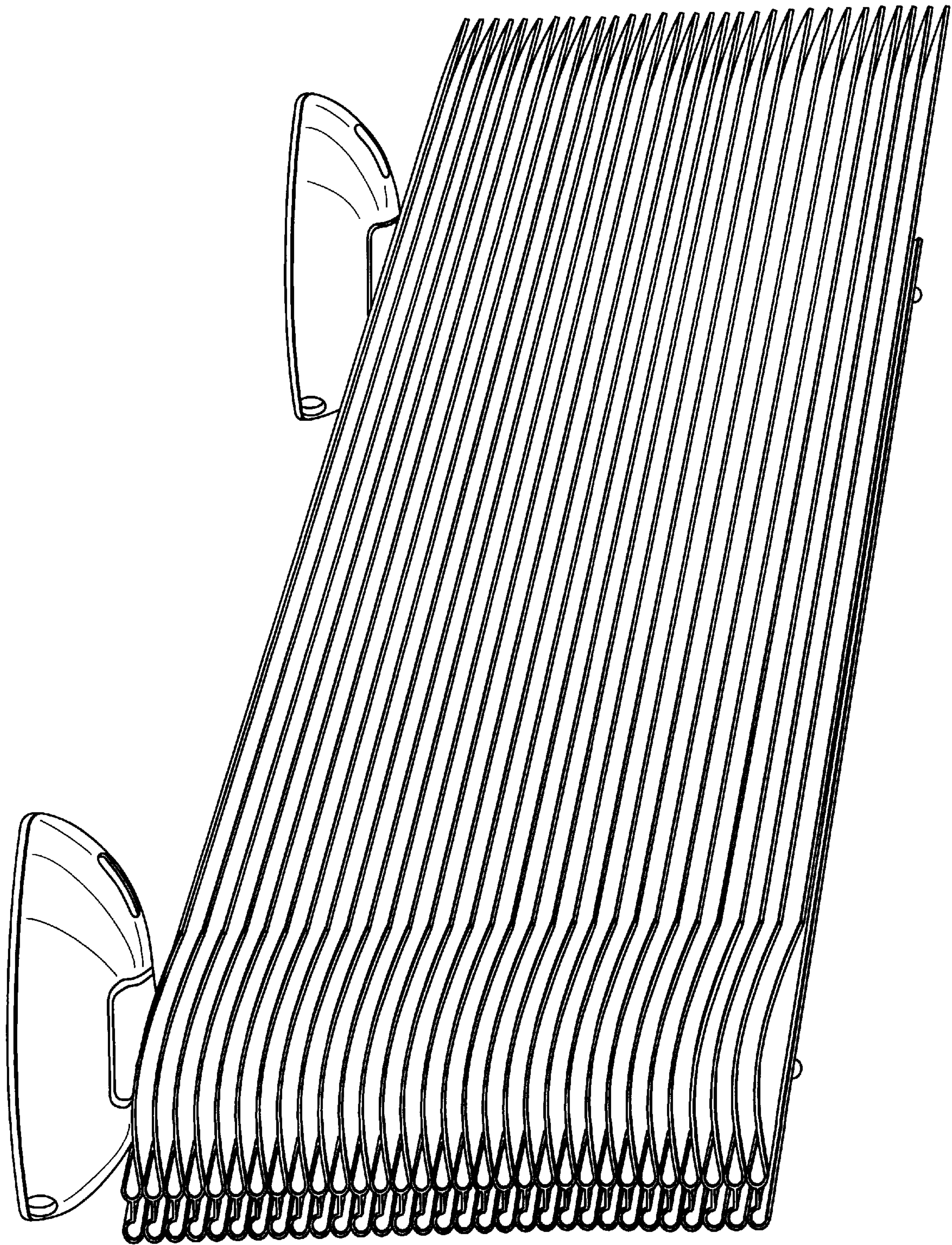


Fig. 8

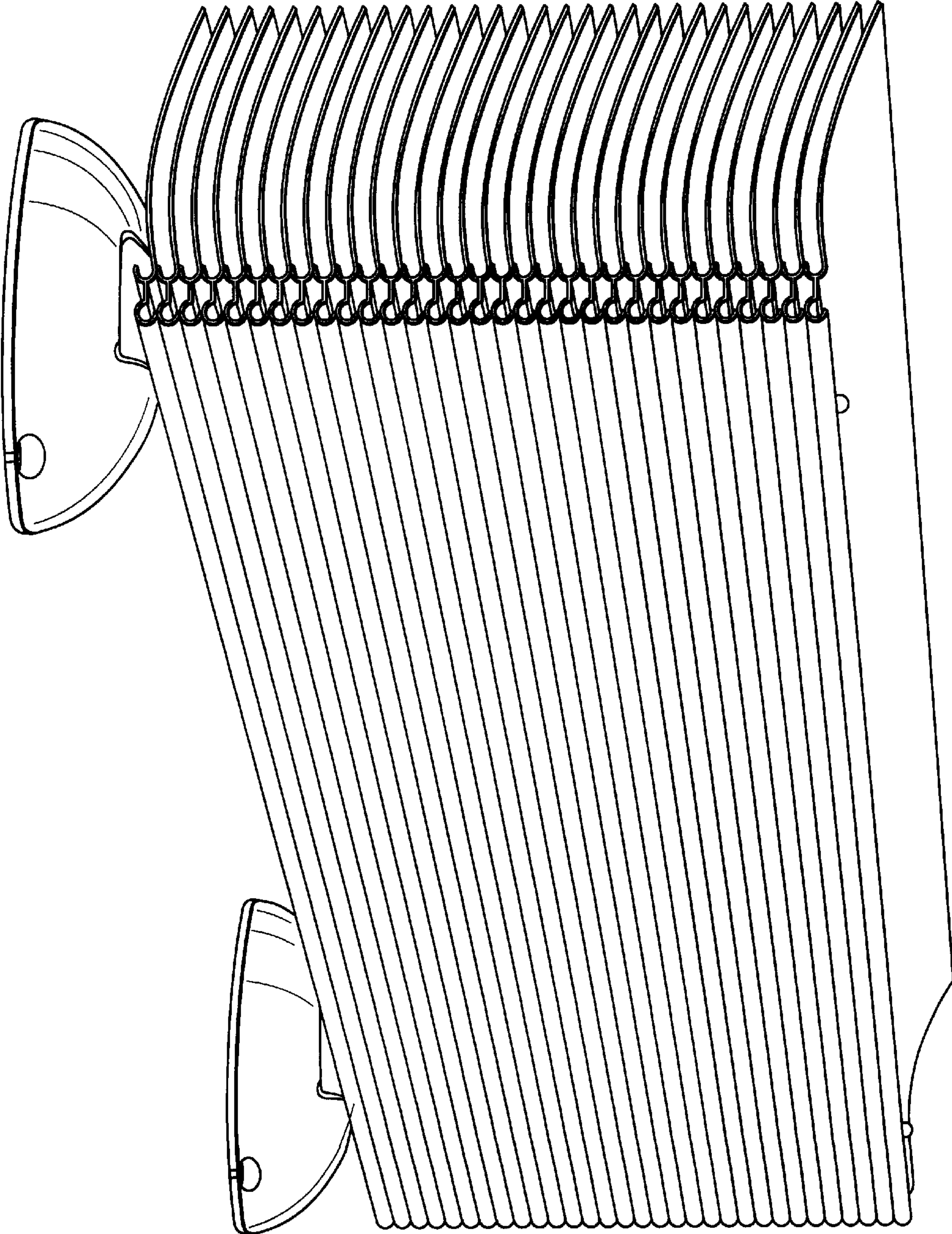


Fig. 9

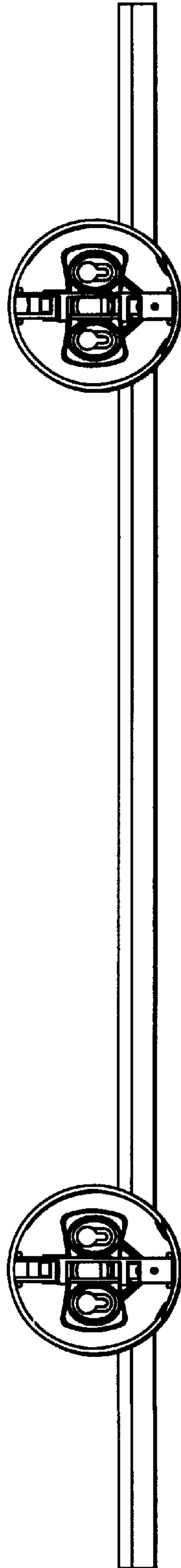


Fig. 10

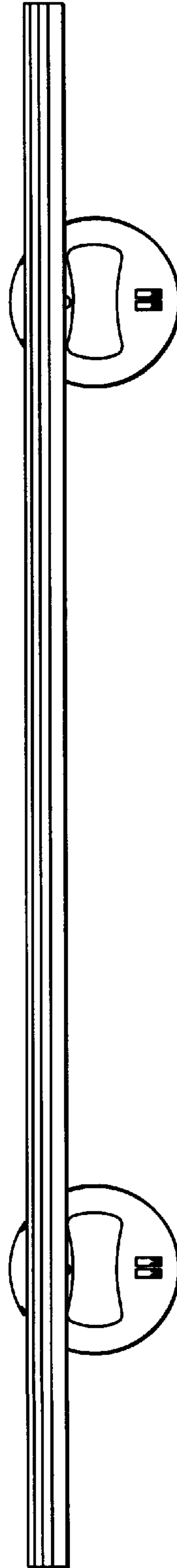


Fig. 11

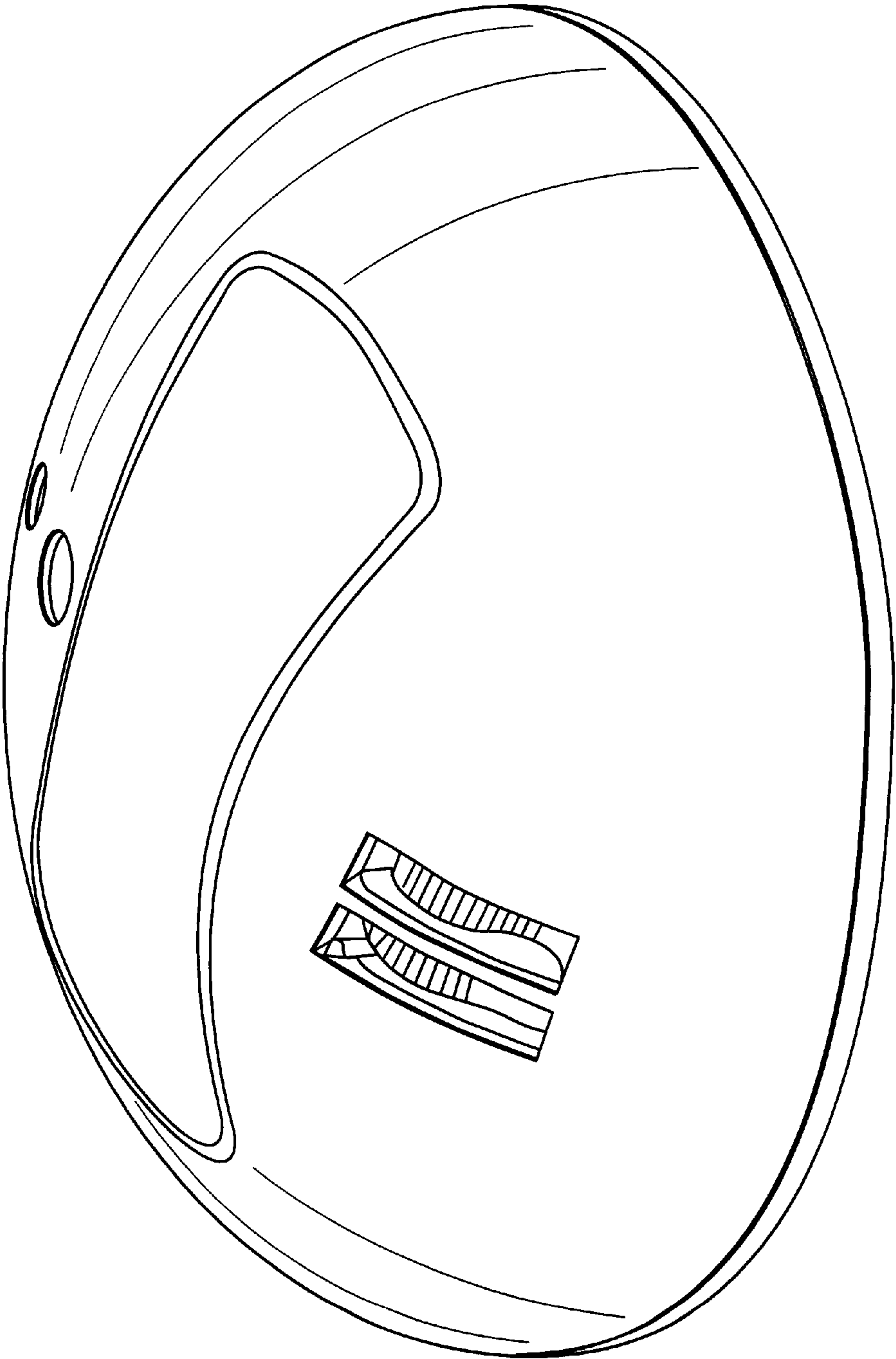


Fig. 12

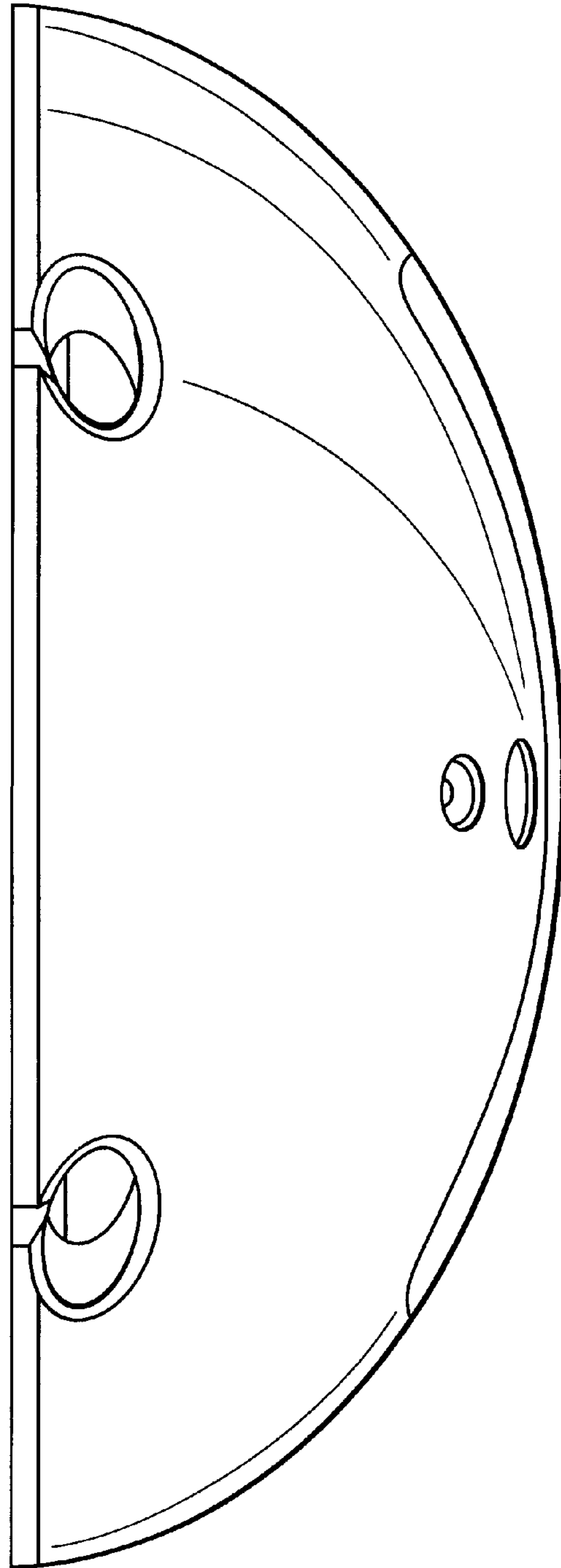


Fig. 13

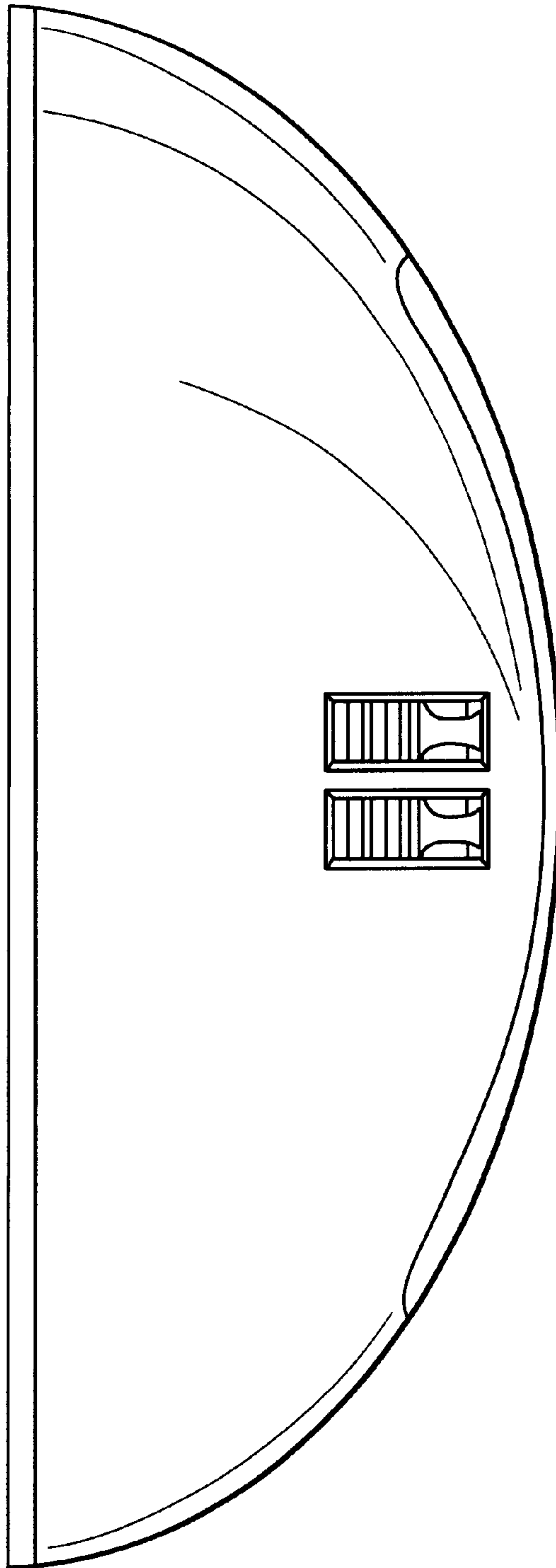


Fig. 14

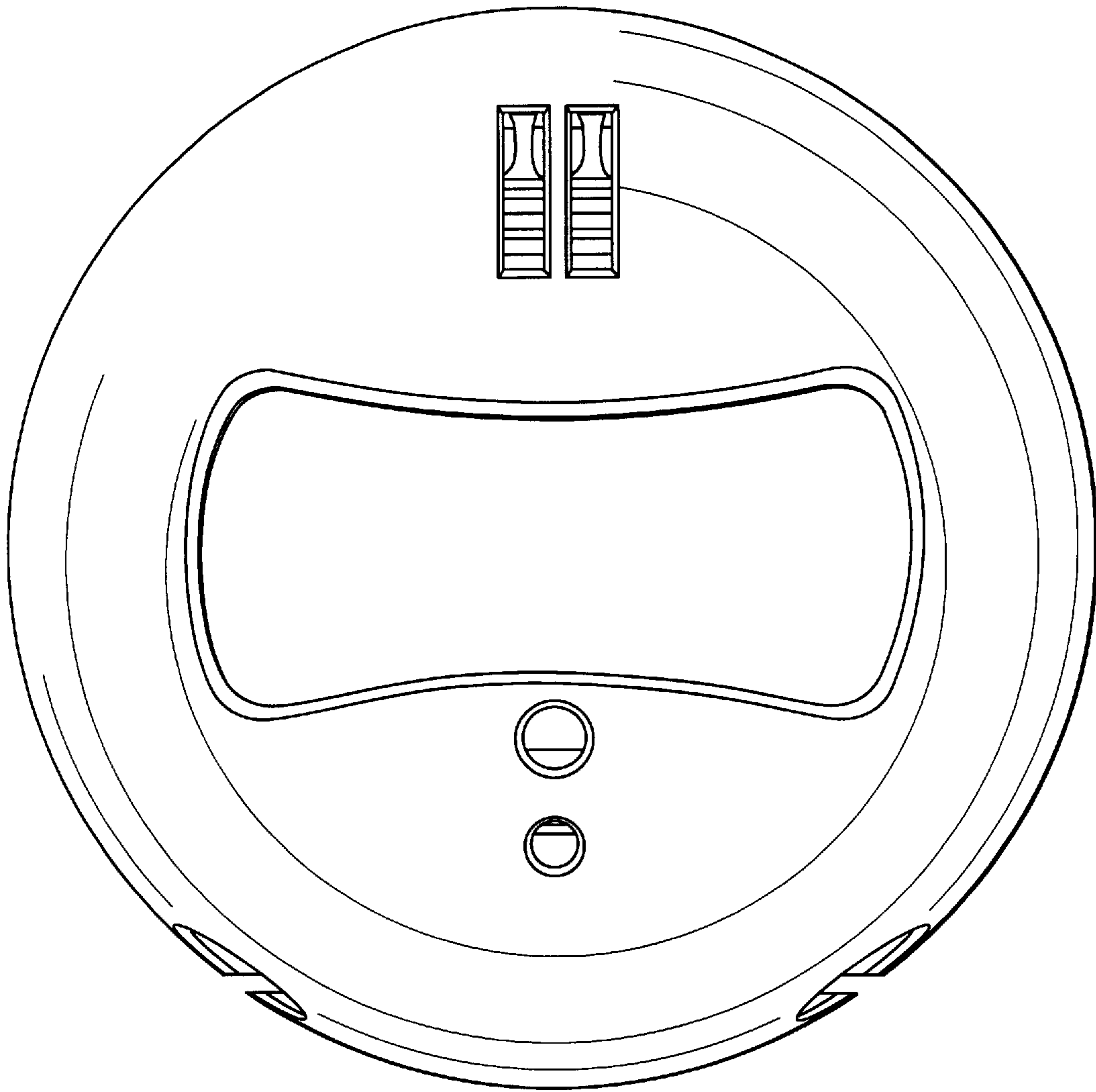


Fig. 15

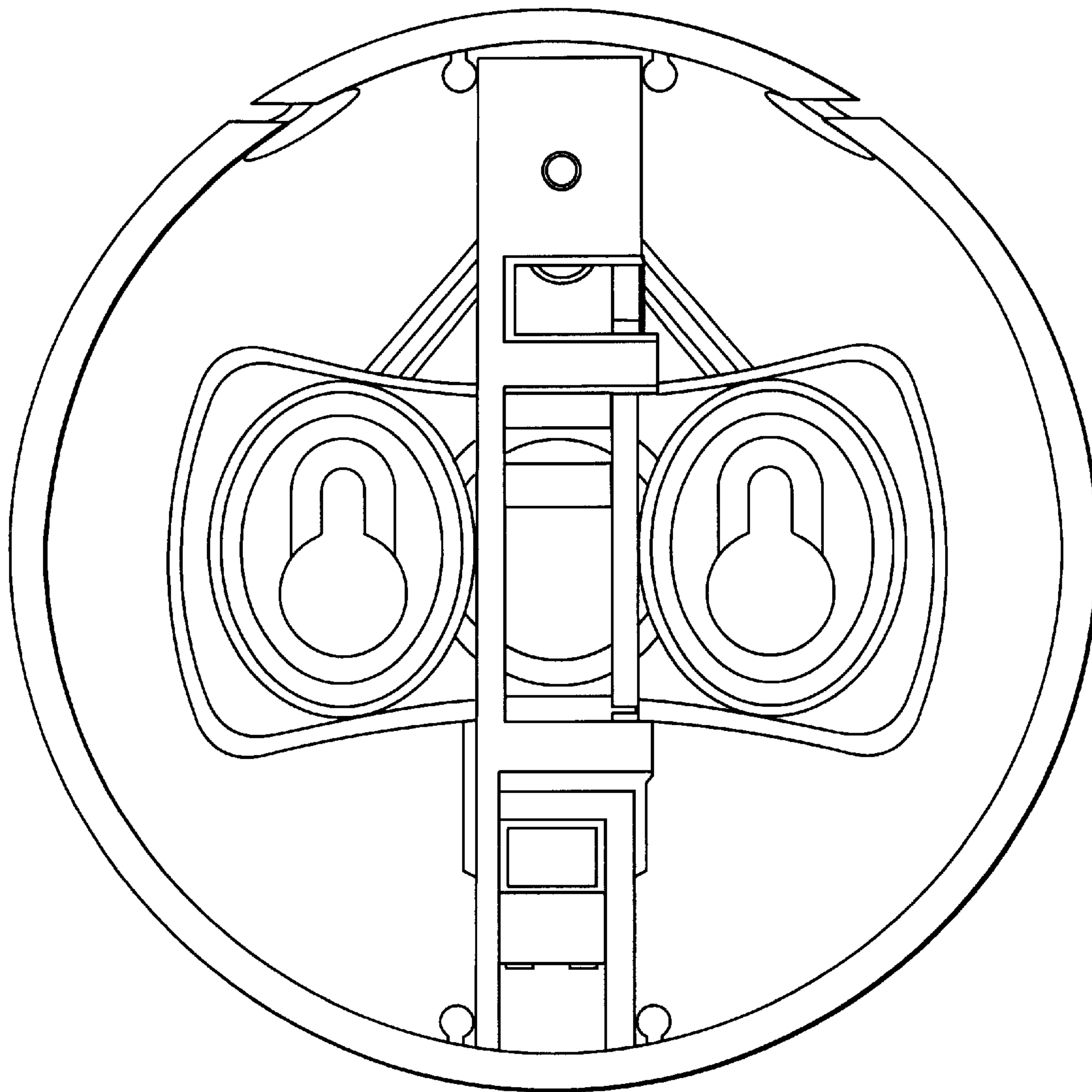


Fig. 16

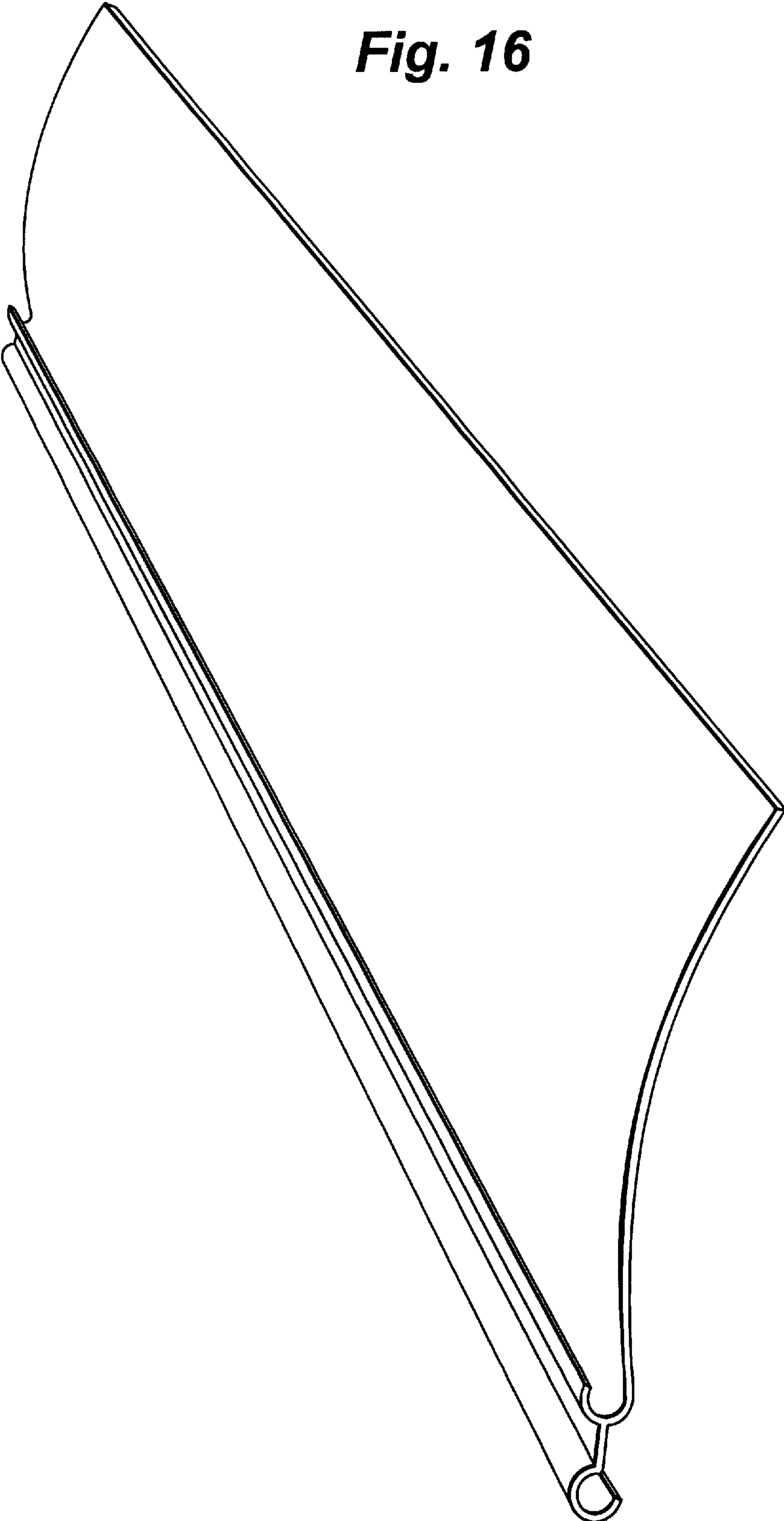


Fig. 17

