

US00D527560S

(12) **United States Design Patent**
Bar Noy

(10) **Patent No.:** **US D527,560 S**

(45) **Date of Patent:** **** Sep. 5, 2006**

(54) **APPARATUS FOR STORING**

(76) **Inventor:** **Gideon Bar Noy**, Harav Kuk St. 40/17,
Kiriath Motzkin. 26360 (IL)

(**) **Term:** **14 Years**

(21) **Appl. No.:** **29/235,289**

(22) **Filed:** **Aug. 1, 2005**

Related U.S. Application Data

(63) Continuation of application No. 10/386,720, filed on Mar. 13, 2003, now Pat. No. 6,994,212.

(51) **LOC (8) Cl.** **06-02**

(52) **U.S. Cl.** **D6/534**

(58) **Field of Classification Search** D6/524,
D6/527, 528, 534; D3/304, 316; 206/207-209.1,
206/361-362, 368-369; 211/13.1; 248/309.1,
248/314, 907

See application file for complete search history.

(56) **References Cited**

U.S. PATENT DOCUMENTS

1,803,194 A	4/1931	Kennedy
3,727,748 A	4/1973	Brown
3,881,868 A	5/1975	Duke
3,884,635 A	5/1975	Sloan
4,214,657 A	7/1980	Winston
4,854,457 A	8/1989	Perler
4,915,219 A	4/1990	Ottimo

D342,636 S	*	12/1993	Booth	D6/534
5,522,497 A		6/1996	Stacy		
D389,686 S		1/1998	Drage		
5,984,100 A		11/1999	Ramsey et al.		
6,119,854 A		9/2000	Prentice et al.		
6,135,279 A		10/2000	Dryer		
6,155,411 A		12/2000	Ho		
6,186,324 B1		2/2001	Catterson		
D440,090 S	*	4/2001	Lillelund et al.	D6/534
D443,158 S	*	6/2001	Ng	D6/534
D454,740 S		3/2002	Baggott		
D478,230 S	*	8/2003	Dretzka	D6/534
D499,918 S	*	12/2004	Snell	D6/534

* cited by examiner

Primary Examiner—Brian N Vinson

(74) *Attorney, Agent, or Firm*—Blank Rome LLP

(57) **CLAIM**

The ornamental design for an apparatus for storing, as shown and described.

DESCRIPTION

FIG. 1 is a top, front perspective view of an apparatus for storing;

FIG. 2 is a front elevational view thereof;

FIG. 3 is a side elevational view thereof;

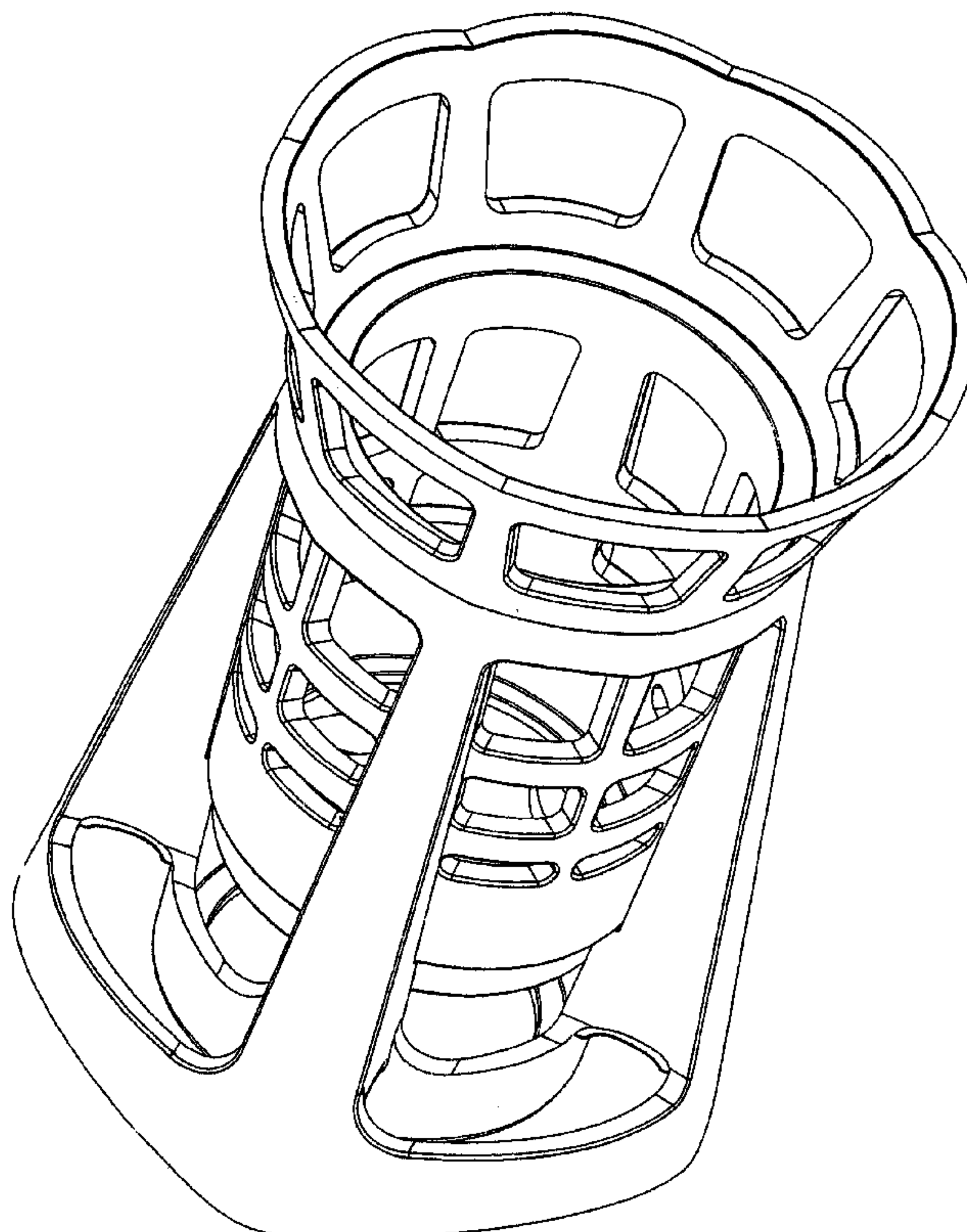
FIG. 4 is a top, rear perspective view thereof;

FIG. 5 is a top plan view thereof;

FIG. 6 is a bottom, front perspective view thereof; and,

FIG. 7 is a bottom plan view thereof.

1 Claim, 7 Drawing Sheets



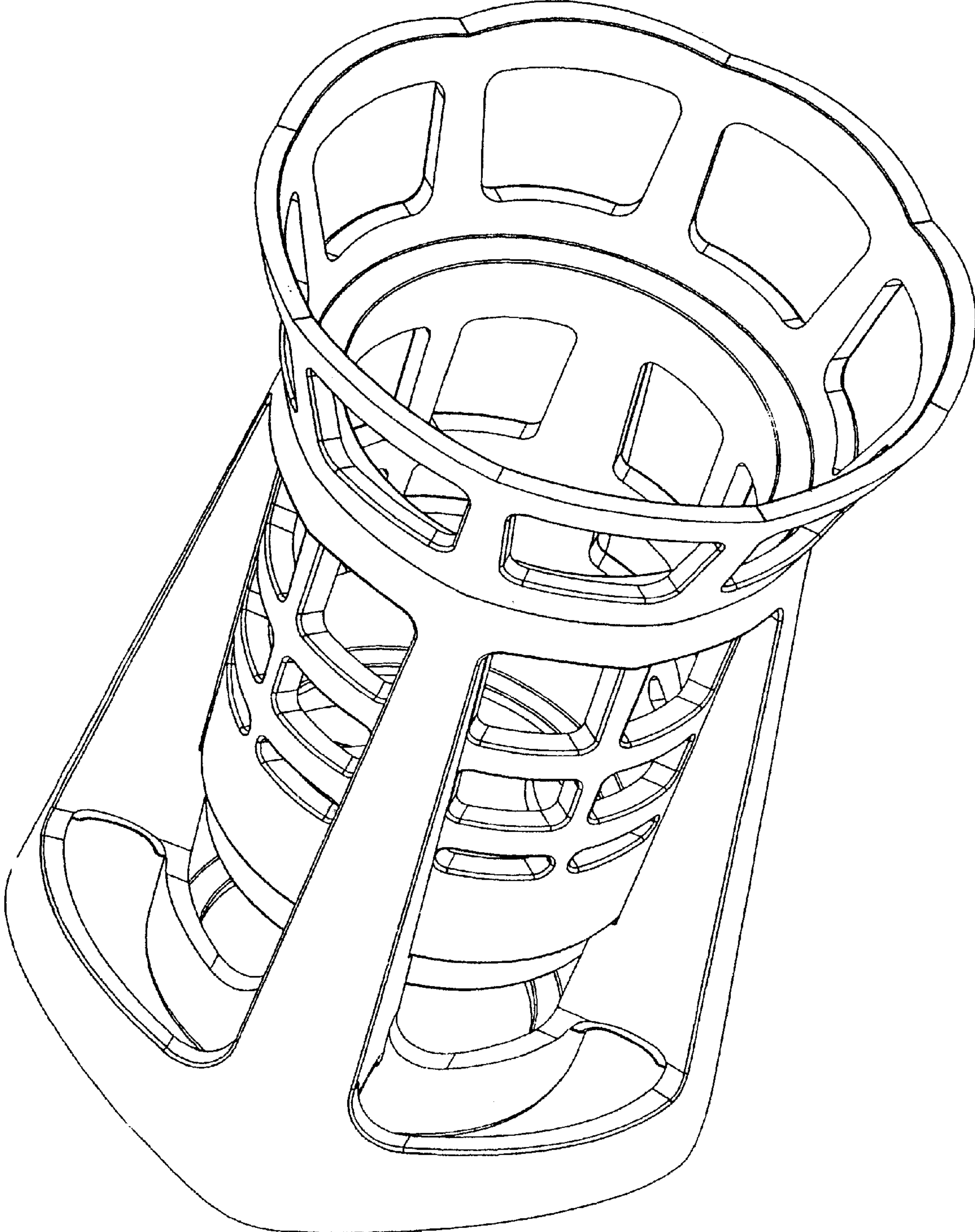


FIG 1

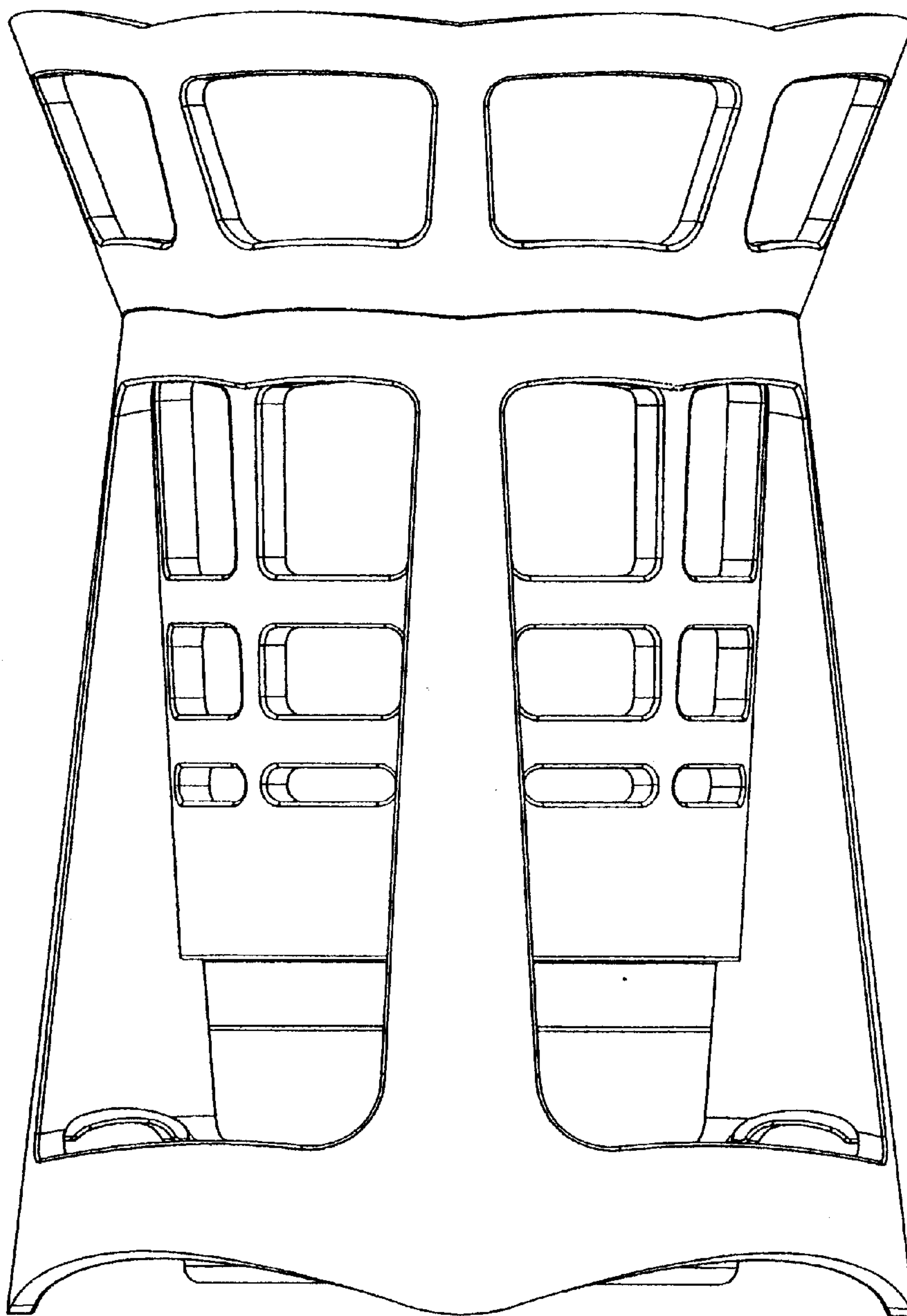


FIG 2

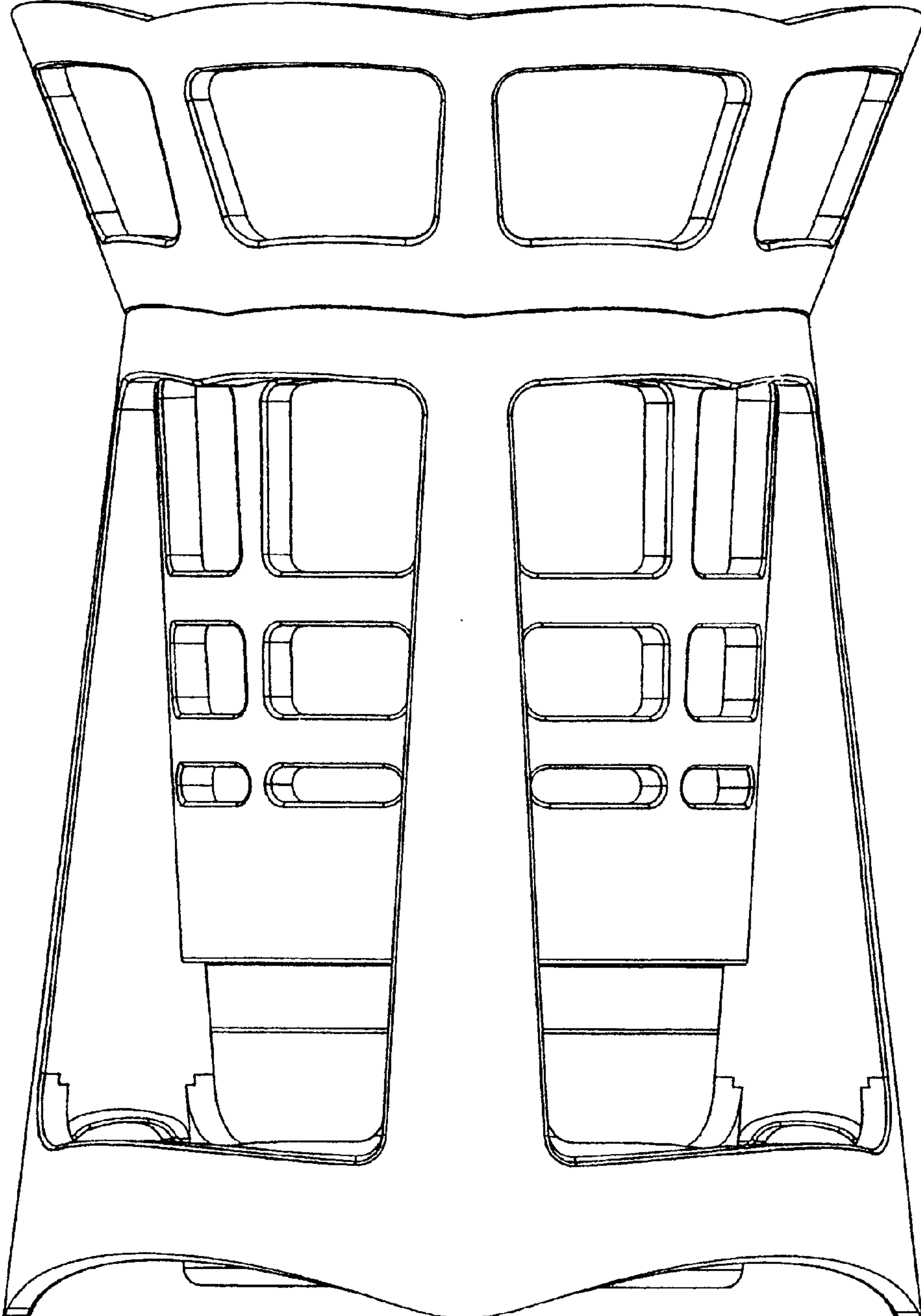


FIG 3

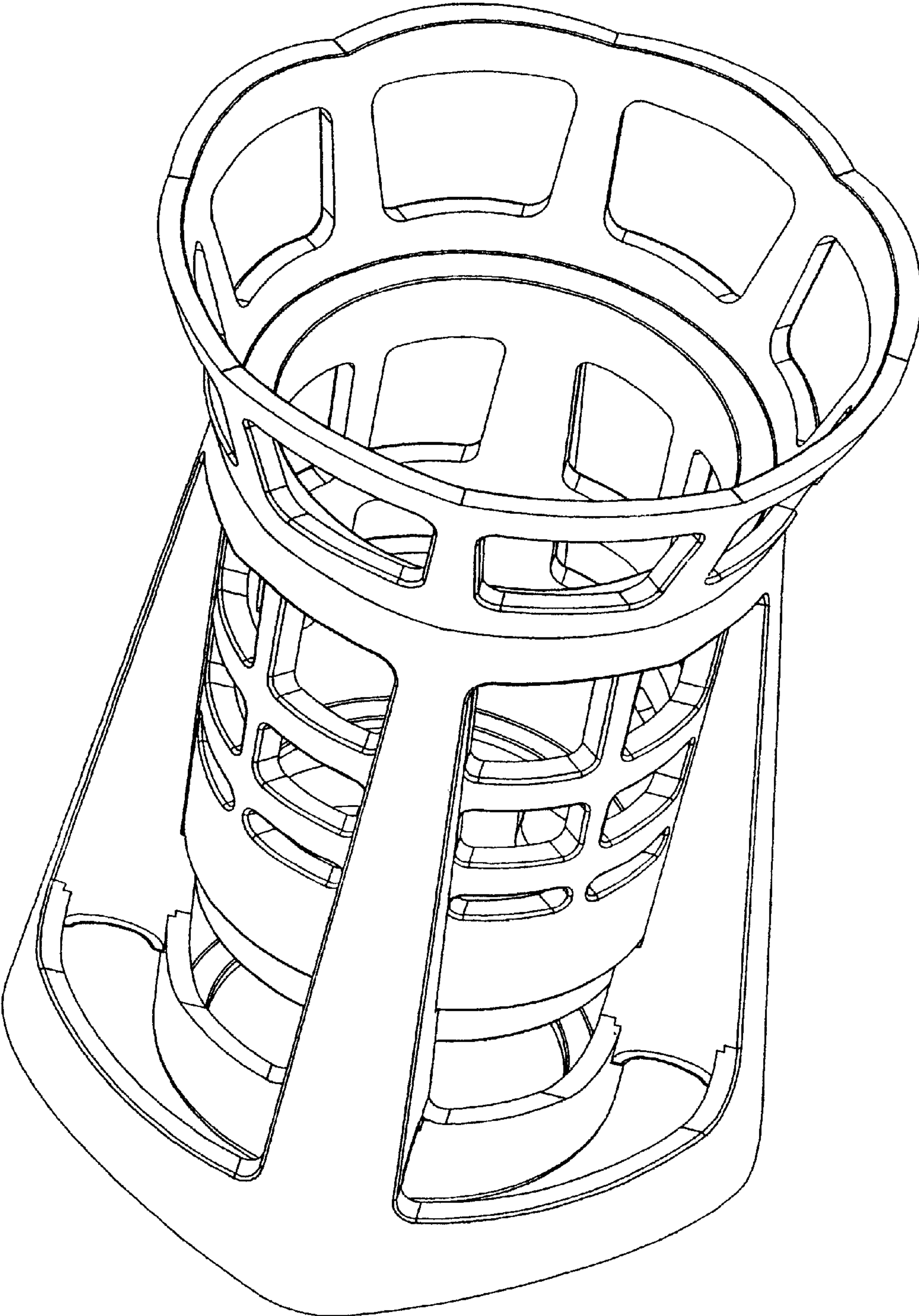


FIG 4

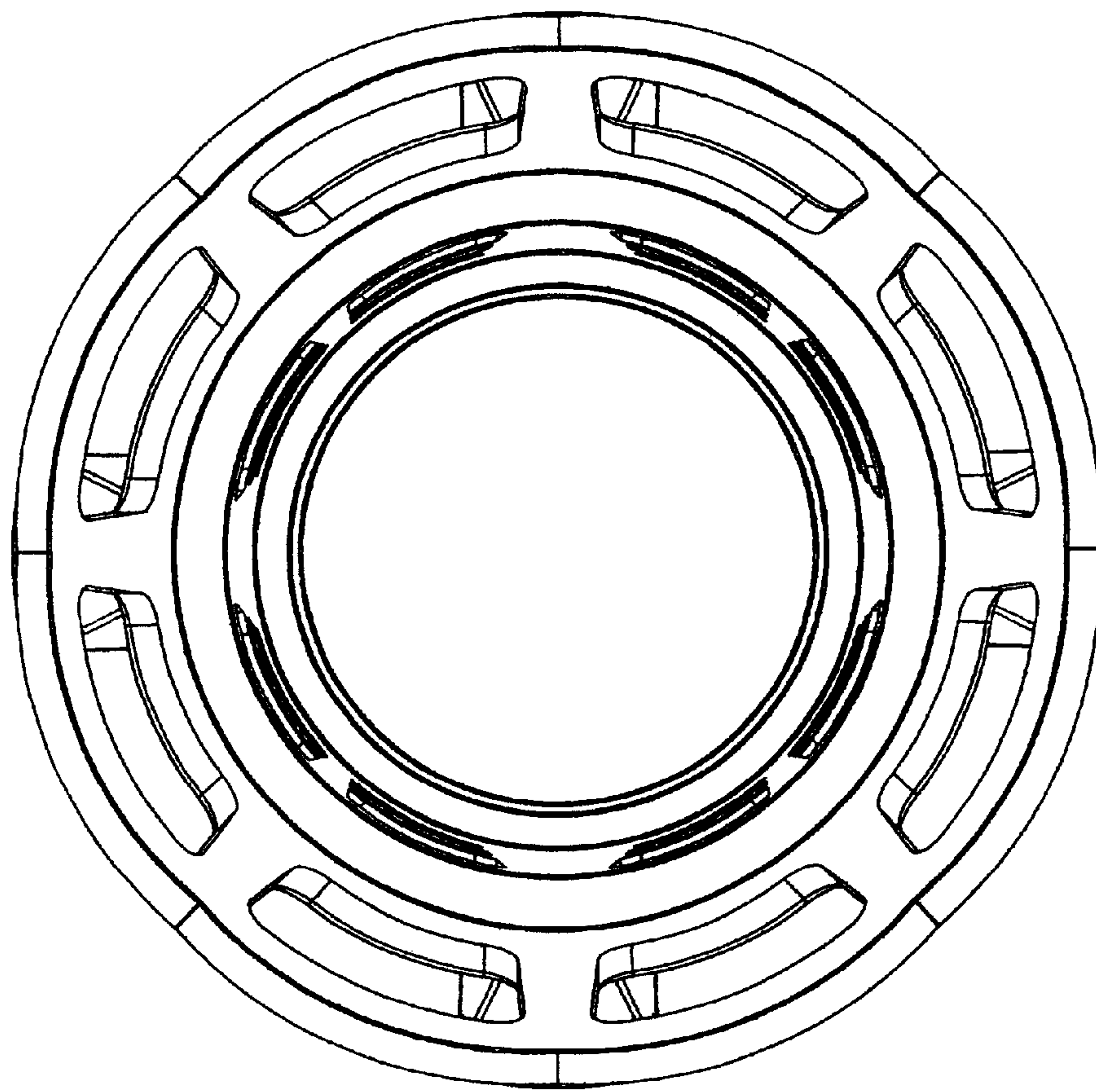


FIG 5

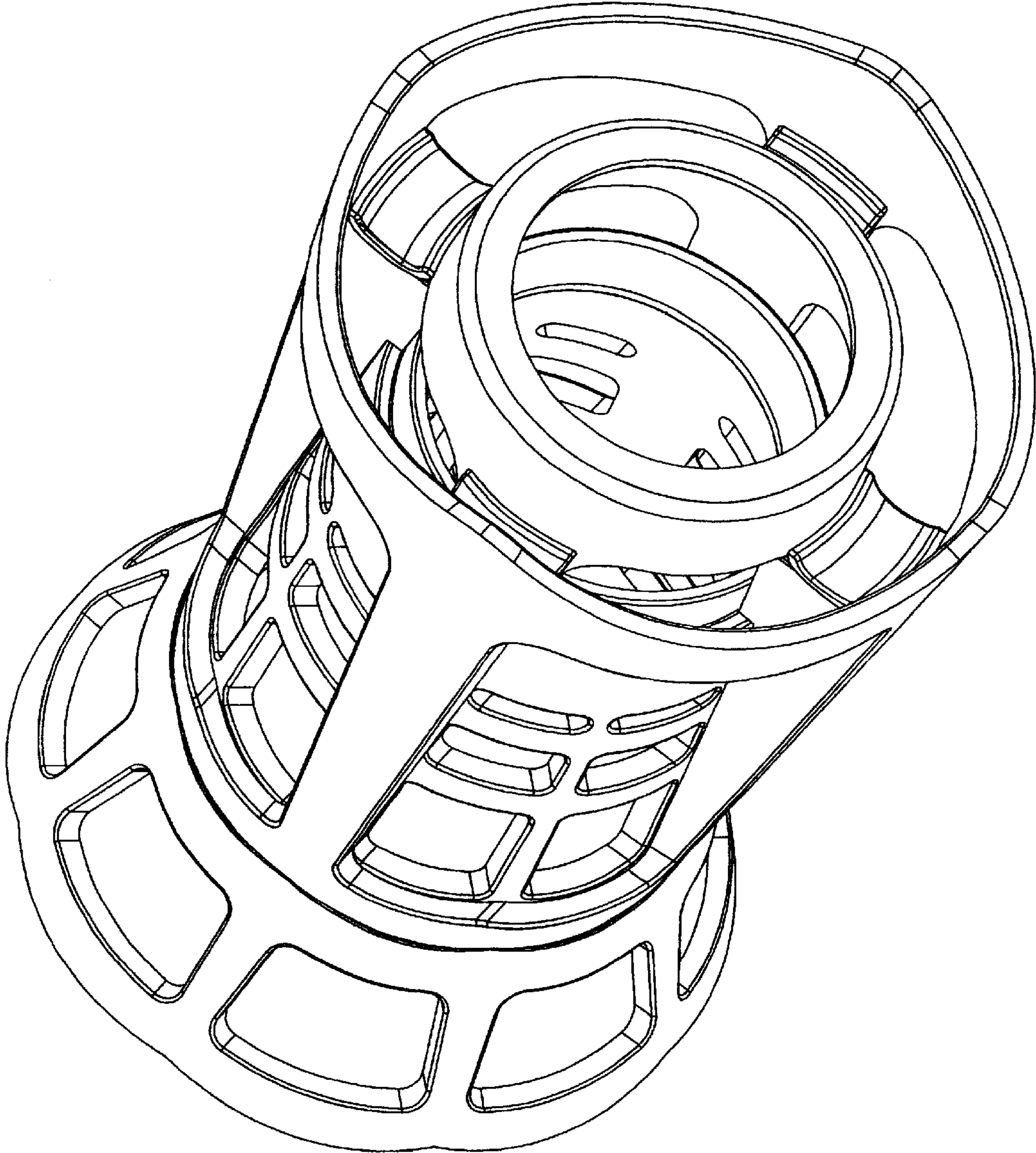


FIG 6

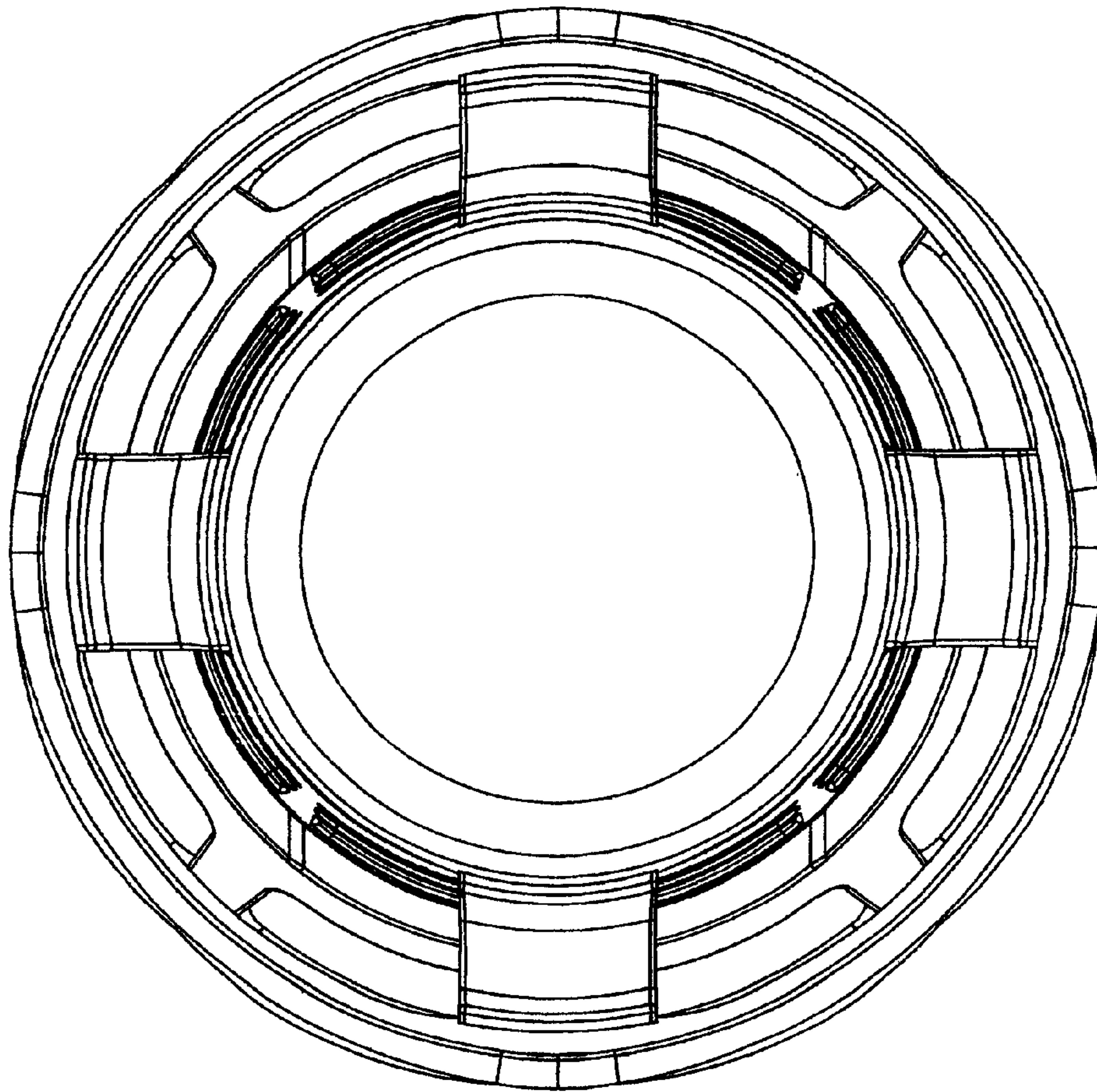


FIG 7