



US00D527559S

(12) **United States Design Patent**
Remmers

(10) **Patent No.:** **US D527,559 S**

(45) **Date of Patent:** **** Sep. 5, 2006**

(54) **WIRE SHELF**

(75) Inventor: **Lee E. Remmers**, Ocala, FL (US)

(73) Assignee: **Clairson, Inc.**, Newark, DE (US)

(**) Term: **14 Years**

(21) Appl. No.: **29/239,971**

(22) Filed: **Oct. 6, 2005**

Related U.S. Application Data

(63) Continuation of application No. 11/004,788, filed on Dec. 3, 2004, which is a continuation-in-part of application No. 10/235,315, filed on Sep. 5, 2002, now Pat. No. 7,004,335.

(51) **LOC (8) Cl.** **06-06**

(52) **U.S. Cl.** **D6/511; D6/566**

(58) **Field of Classification Search** D6/553,
D6/566, 567, 574, 511; 108/28-29; 248/235,
248/309.1; 211/13.1, 32, 41.3, 41.4, 86.01,
211/87.01, 90.01, 90.03, 126.9, 134, 181.1
See application file for complete search history.

(56) **References Cited**

U.S. PATENT DOCUMENTS

3,688,915 A	9/1972	Ramsey	
3,972,499 A	8/1976	Simmons	
4,717,104 A	1/1988	Lee	
D349,000 S	* 7/1994	Rogers et al. D6/511
5,350,072 A	9/1994	Rogers et al.	
5,351,842 A	10/1994	Remmers	
D352,195 S	* 11/1994	Rogers et al. D6/511
5,373,951 A	12/1994	Arnold	
D354,864 S	* 1/1995	Kokenge et al. D6/511
5,405,026 A	* 4/1995	Lee et al. 211/181.1
5,531,416 A	7/1996	Remmers	
5,647,490 A	7/1997	Hull et al.	
5,758,851 A	6/1998	Remmers	
5,810,179 A	9/1998	Kleiman	
5,836,461 A	* 11/1998	Kokenge et al. 211/90.03
D419,344 S	* 1/2000	Greene D6/511
D427,466 S	* 7/2000	Remmers D6/511

D437,515 S	*	2/2001	Remmers et al.	D6/511
2005/0011420 A1		1/2005	Costa et al.		
2005/0145147 A1		7/2005	Costa et al.		
2005/0145588 A1		7/2005	Stitchick et al.		
2005/0150436 A1		7/2005	Marchetta et al.		

OTHER PUBLICATIONS

U.S. Appl. No. 60/434,470, filed Dec. 18, 2002, Costa et al.

* cited by examiner

Primary Examiner—Brian N Vinson

(74) *Attorney, Agent, or Firm*—Harness, Dickey & Pierce, P.L.C.

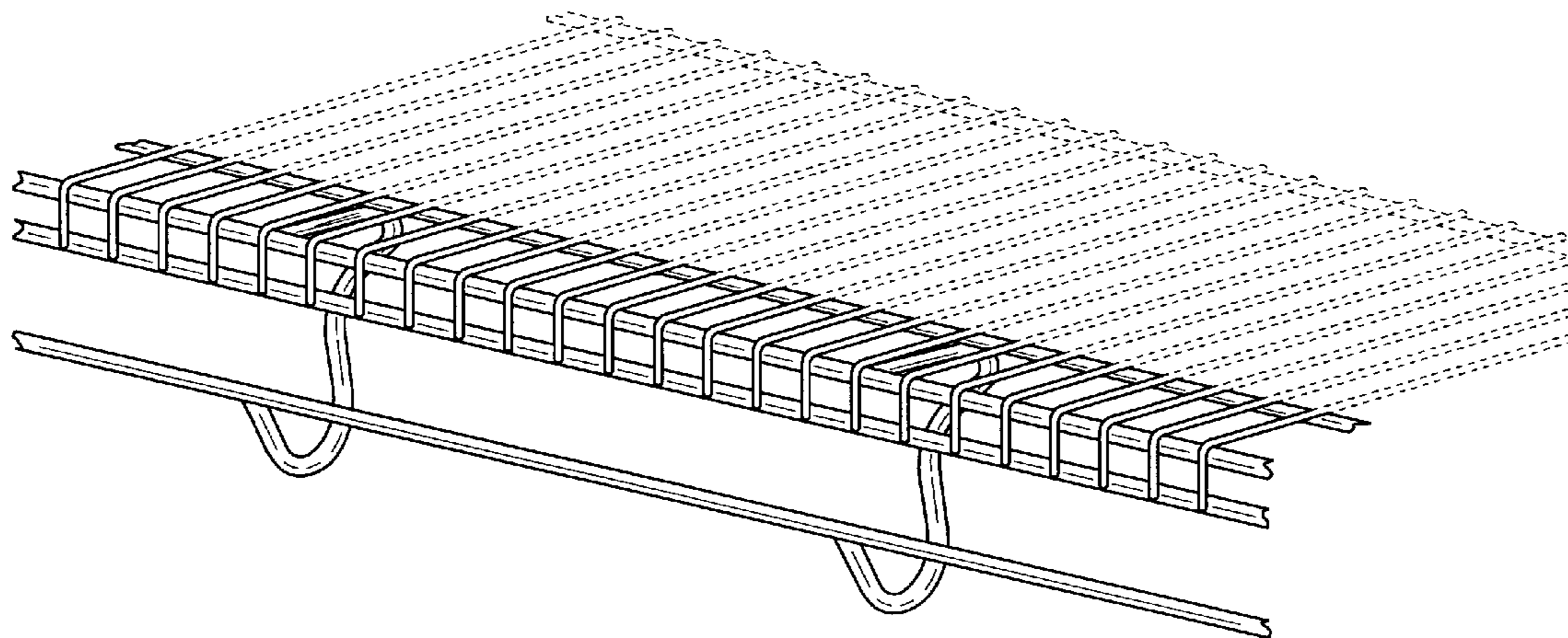
(57) **CLAIM**

The ornamental design for a wire shelf, as shown and described.

DESCRIPTION

FIG. 1 is a front upper perspective view of a wire shelf, showing my new design;
 FIG. 2 is a lower perspective view of the wire shelf shown in FIG. 1;
 FIG. 3 is a front elevation view of the wire shelf shown in FIG. 1;
 FIG. 4 is a back elevation view of the wire shelf shown in FIG. 1;
 FIG. 5 is a right side elevation view of the wire shelf shown in FIG. 1;
 FIG. 6 is a left side elevation view of the wire shelf shown in FIG. 1;
 FIG. 7 is a bottom plan view of the wire shelf shown in FIG. 1; and,
 FIG. 8 is a top plan view of the wire shelf shown in FIG. 1.
 The details shown in broken lines are for illustrative purposes only and form no part of the claimed design. End portions of the wire shelf are shown broken away to indicate indeterminate length, as the wire shelf can be shorter or longer and include more or less hooks than what is shown in the figures.

1 Claim, 3 Drawing Sheets



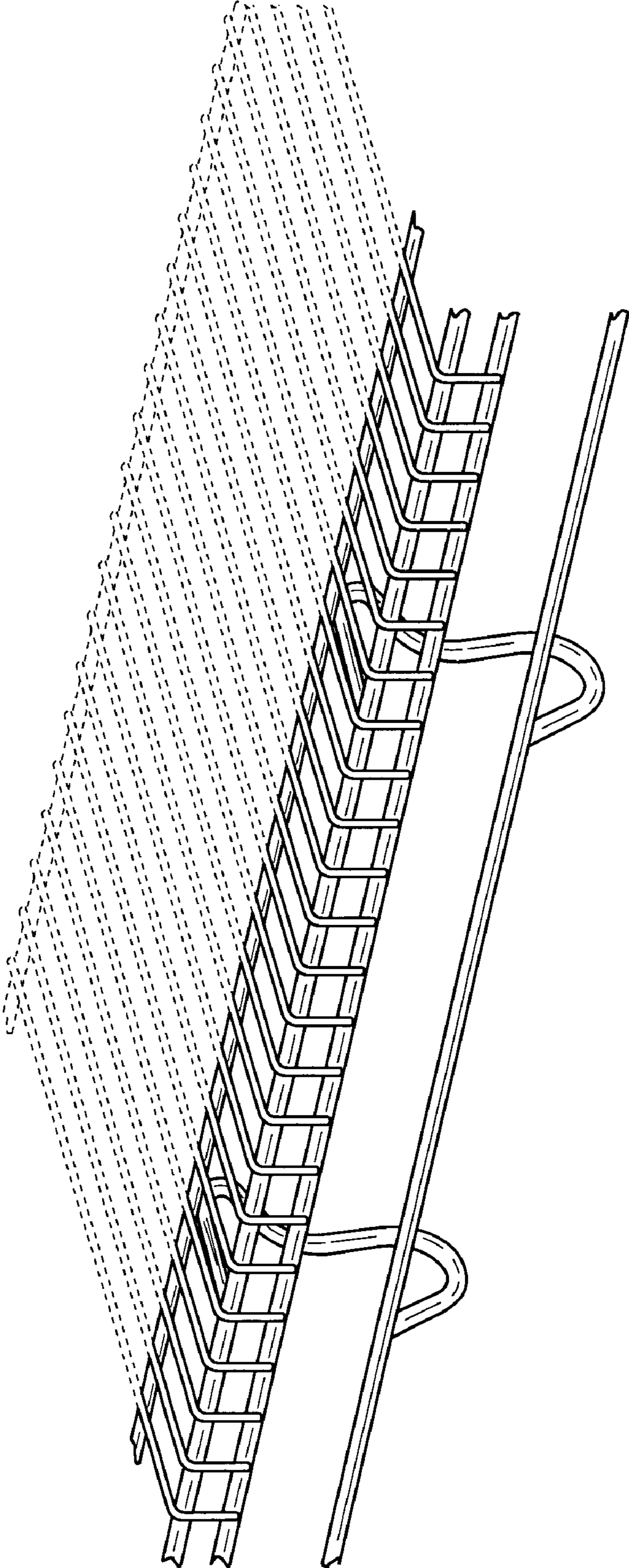


FIG. 1

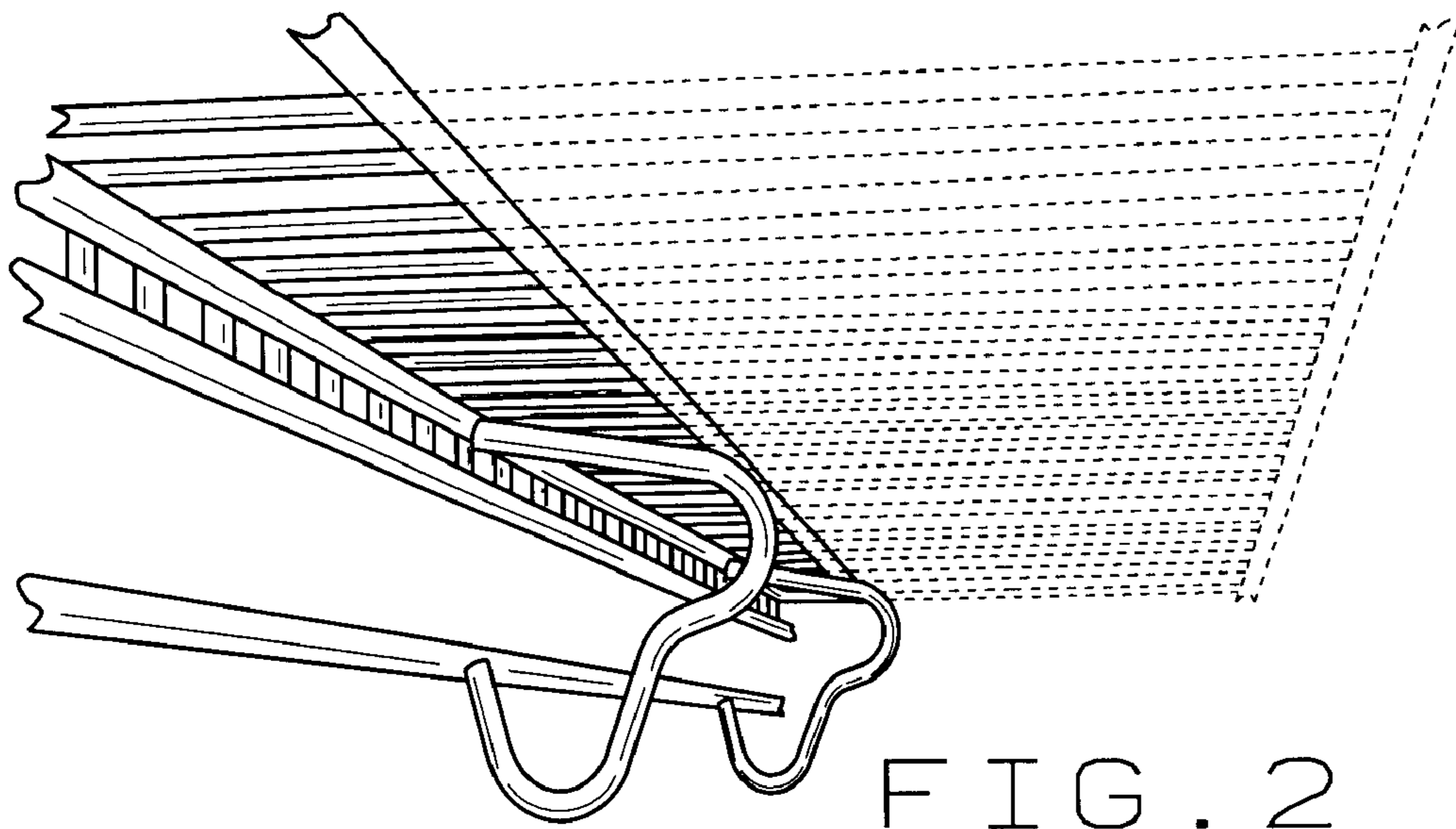


FIG. 2

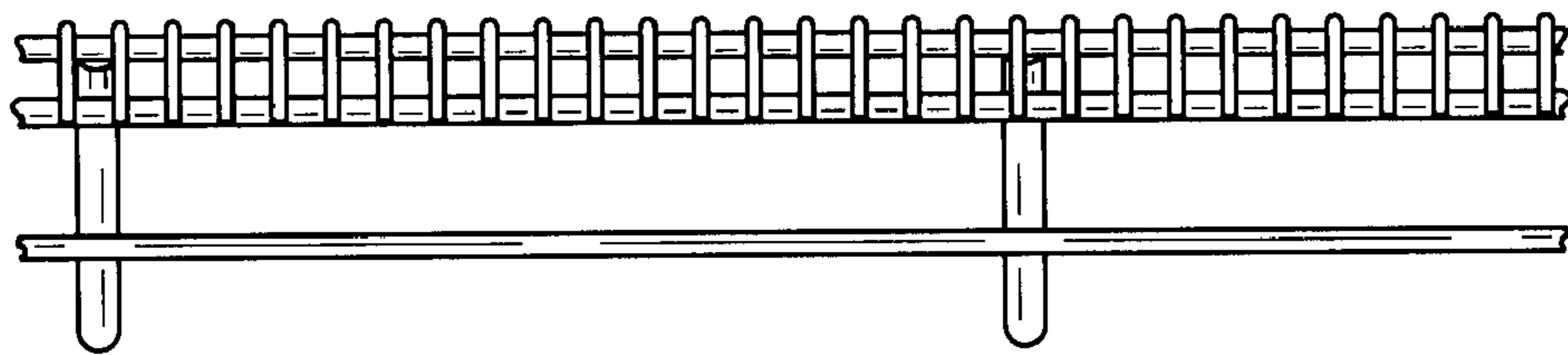


FIG. 3

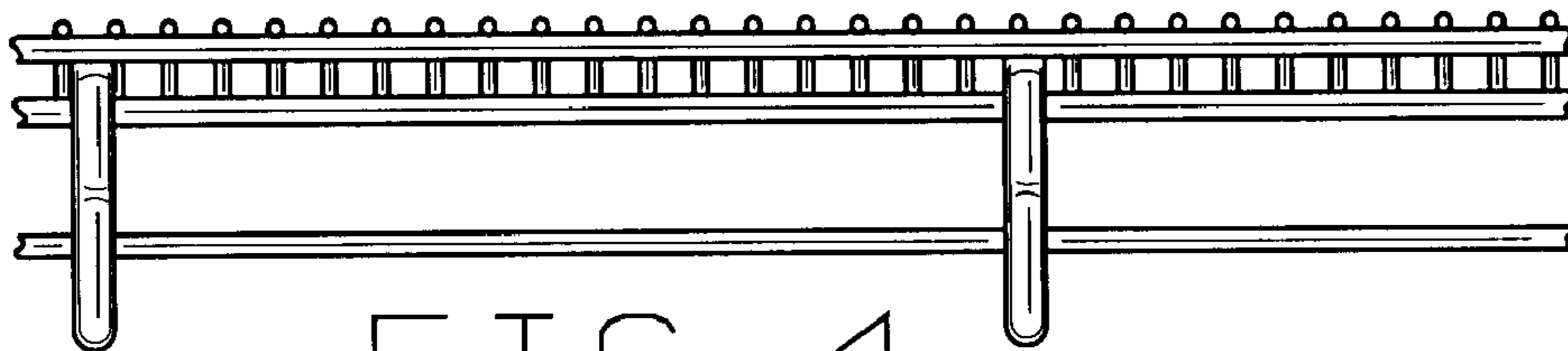


FIG. 4

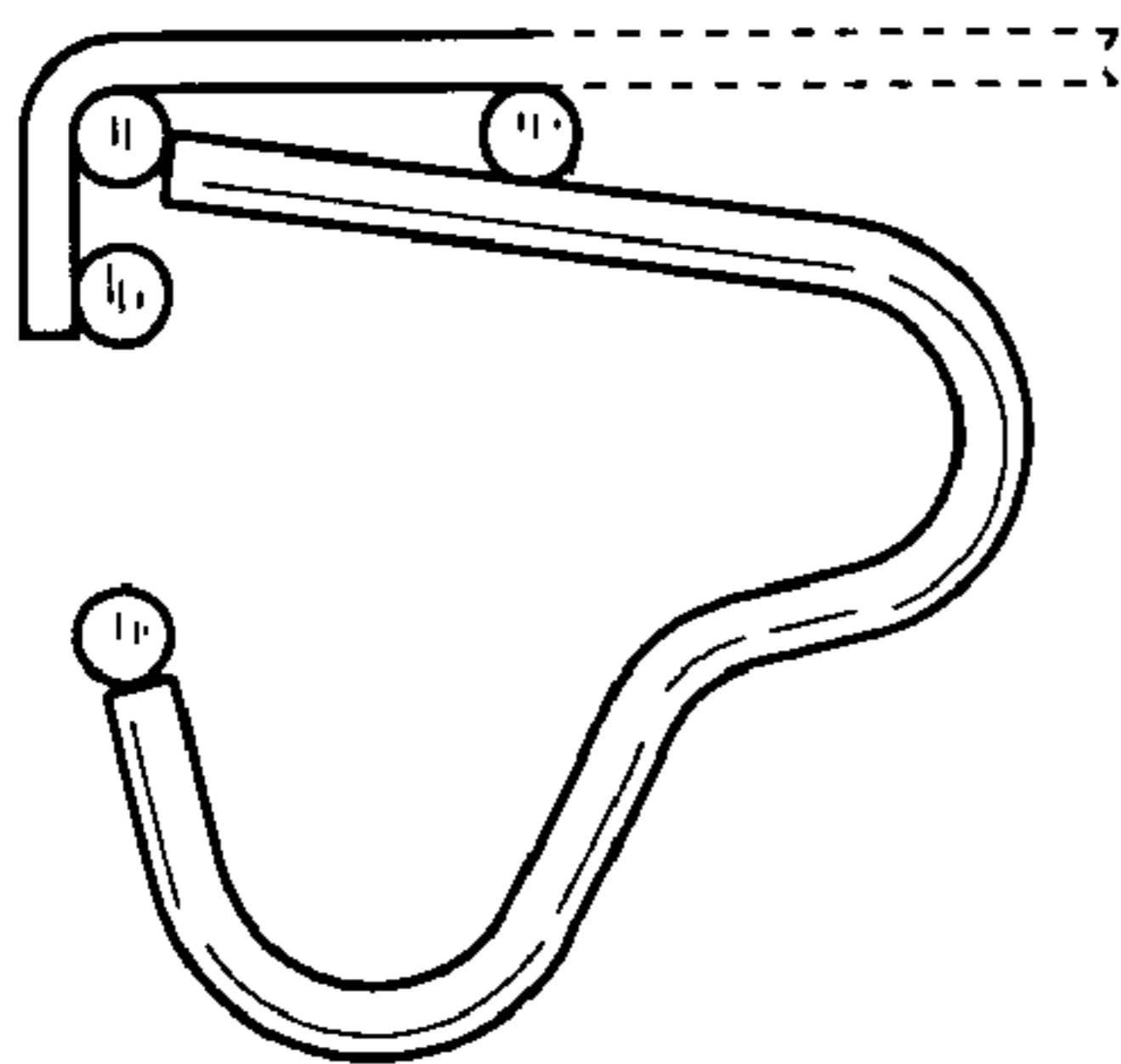


FIG. 5

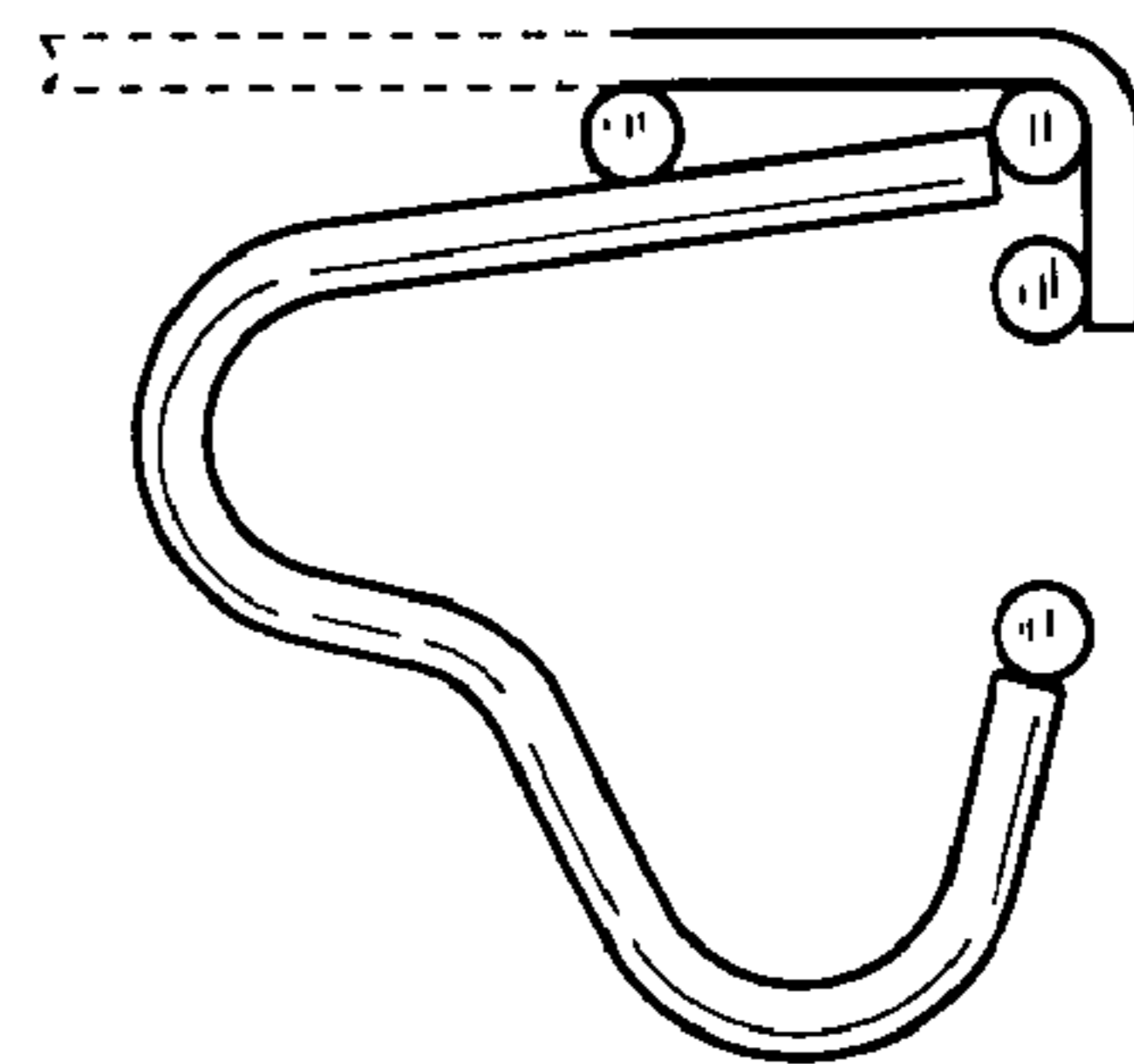


FIG. 6

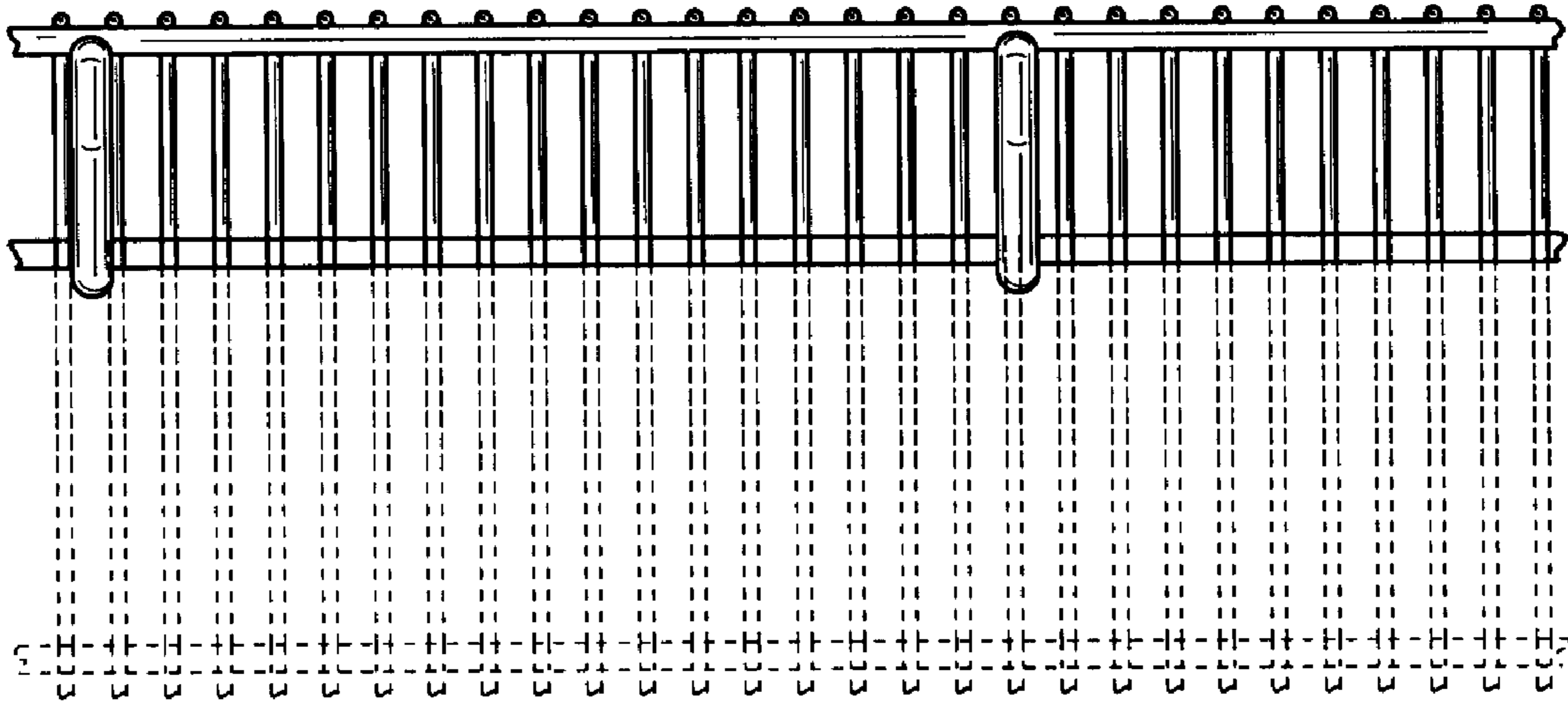


FIG. 7

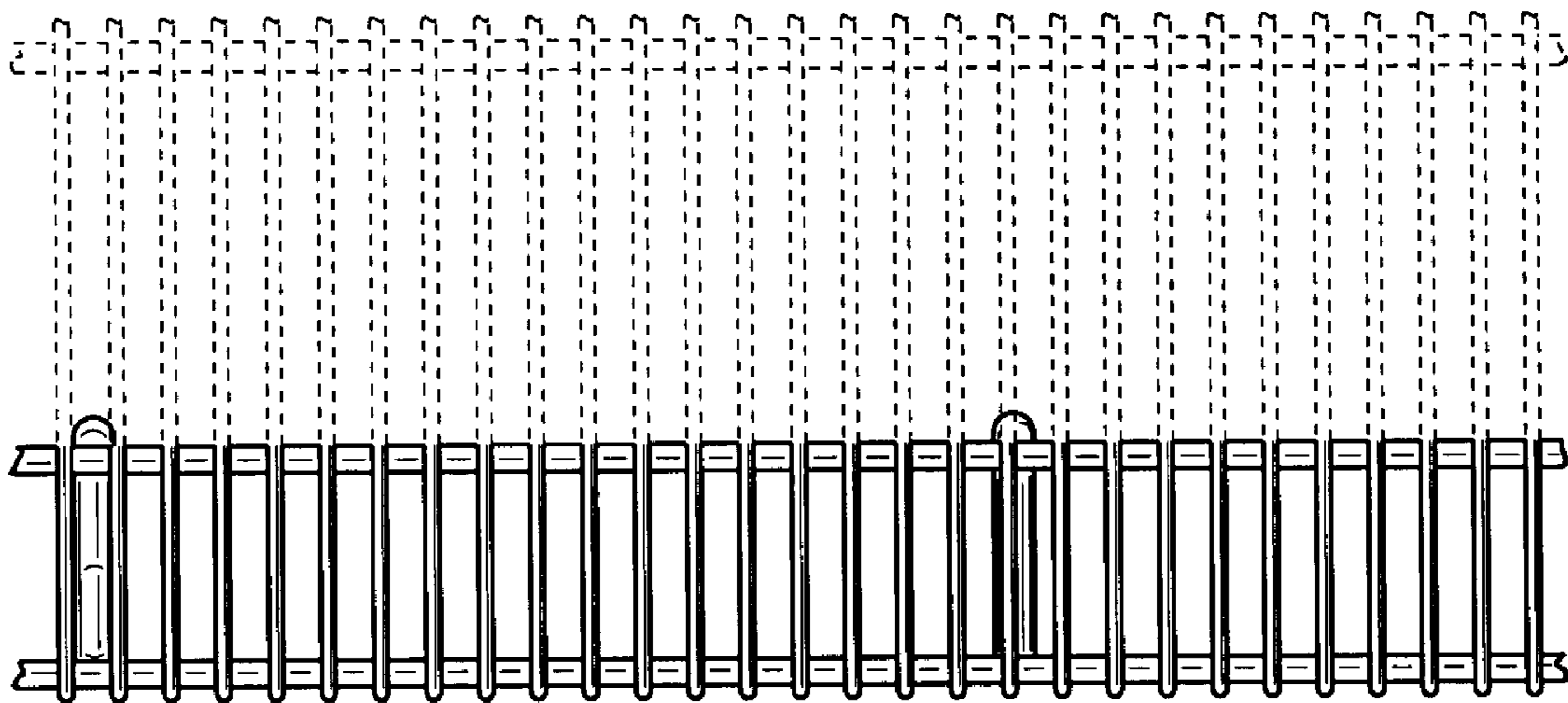


FIG. 8