

US00D527553S

(12) **United States Design Patent**
Porter

(10) **Patent No.:** **US D527,553 S**

(45) **Date of Patent:** **** Sep. 5, 2006**

- (54) **END FRAME FOR A FUTON**
- (75) Inventor: **Howard Porter**, Kuala Lumpur (MY)
- (73) Assignee: **Night and Day Furniture LLC**,
Vancouver, WA (US)
- (**) Term: **14 Years**
- (21) Appl. No.: **29/212,905**
- (22) Filed: **Sep. 10, 2004**
- (51) **LOC (8) Cl.** **06-01**
- (52) **U.S. Cl.** **D6/495**
- (58) **Field of Classification Search** D6/334-339,
D6/349, 352, 364-366, 353, 369, 370, 495,
D6/500-502, 367, 368, 379, 480, 481, 483,
D6/484; 5/12.1; 297/445.1, 232, 446.1, 447.3,
297/448.1, 452.1, 118, 119, 122-126; 312/235.9;
108/11, 13, 15, 115
See application file for complete search history.

- D426,407 S * 6/2000 Schlichter et al. D6/492
- D462,857 S * 9/2002 Pathiratne D6/492
- D463,689 S * 10/2002 Pathiratne D6/492
- D463,690 S * 10/2002 Pathiratne D6/492
- D464,512 S * 10/2002 Pathiratne D6/492
- D465,112 S * 11/2002 Pathiratne D6/492
- D465,671 S * 11/2002 Sheil et al. D6/381
- D501,340 S * 2/2005 Grossman et al. D6/492

* cited by examiner

Primary Examiner—Sandra S. Snapp

(74) *Attorney, Agent, or Firm*—Harness, Dickey & Pierce,
P.L.C.

(57) **CLAIM**

The ornamental design for an end frame for a futon, as shown and described.

DESCRIPTION

FIG. 1 is a perspective view of an end frame for a futon illustrating the features of the invention relating to the end portion in solid lines; and, FIG. 2 is an elevation view of the end frame shown in FIG. 1.

The bottom view of the end frame does not form any part of the claimed design.

The broken lines are used to show environment and form no part of the claimed design.

1 Claim, 1 Drawing Sheet

(56) **References Cited**

U.S. PATENT DOCUMENTS

- D353,721 S * 12/1994 Lowman D6/379
- D363,171 S * 10/1995 Kramer D6/381
- D368,173 S * 3/1996 Kramer D6/370
- D379,278 S * 5/1997 Zeinfeld et al. D6/492
- D424,315 S * 5/2000 Jeng D6/370
- D425,339 S * 5/2000 Schlichter et al. D6/492

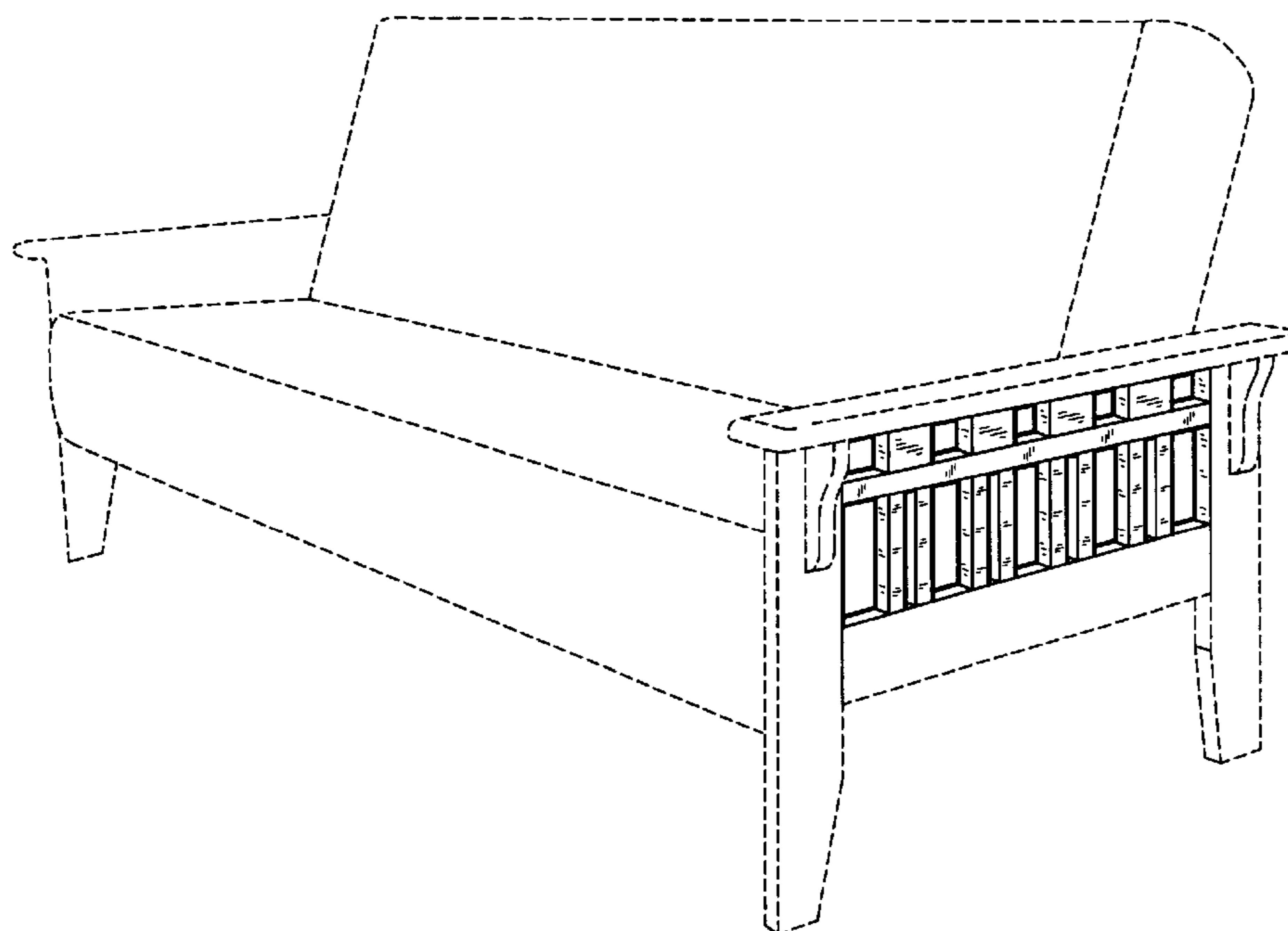


FIG. 1

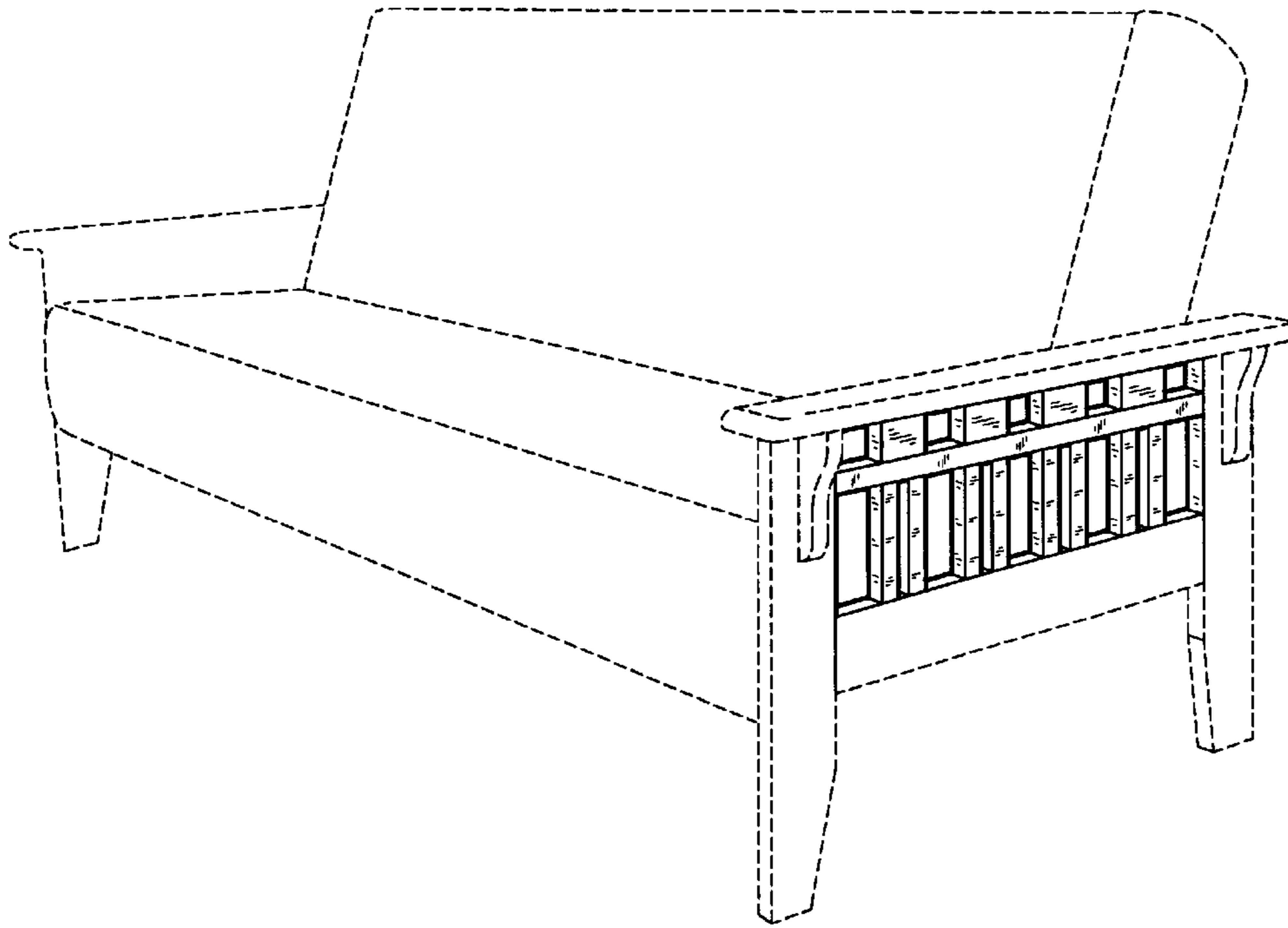


FIG. 2

