



US00D527551S

(12) **United States Design Patent**  
**Berry et al.**

(10) **Patent No.:** **US D527,551 S**

(45) **Date of Patent:** **\*\* Sep. 5, 2006**

(54) **NESTING TABLES**

3,971,327 A \* 7/1976 Critchett ..... D6/480  
D323,087 S \* 1/1992 Burgos ..... D6/482

(75) Inventors: **Rick Berry**, Hickory, NC (US); **Dave Clark**, Charlotte, NC (US)

\* cited by examiner

(73) Assignee: **Bernhardt, L.L.C.**, Lenoir, NC (US)

*Primary Examiner*—Janice E. Seeger

(74) *Attorney, Agent, or Firm*—MacCord Mason PLLC

(\*\*) Term: **14 Years**

(57) **CLAIM**

(21) Appl. No.: **29/223,513**

The ornamental design for nesting tables, as shown and described.

(22) Filed: **Feb. 15, 2005**

**DESCRIPTION**

(51) **LOC (8) Cl.** ..... **06-03**

(52) **U.S. Cl.** ..... **D6/480**; D6/485; D6/488

(58) **Field of Classification Search** ..... D6/480-489,  
D6/495, 499, 450, 451, 474, 477, 479, 470;  
108/91, 92, 153.1, 155, 156, 161, 155.7;  
248/188, 188.1, 188.8

See application file for complete search history.

FIG. 1 is a front perspective view of nesting tables showing my new design;

FIG. 2 is an elevational view of FIG. 1 from the left side thereof;

FIG. 3 is a an elevational view of FIG. 1 from the right side thereof;

FIG. 4 is a top view thereof; and,

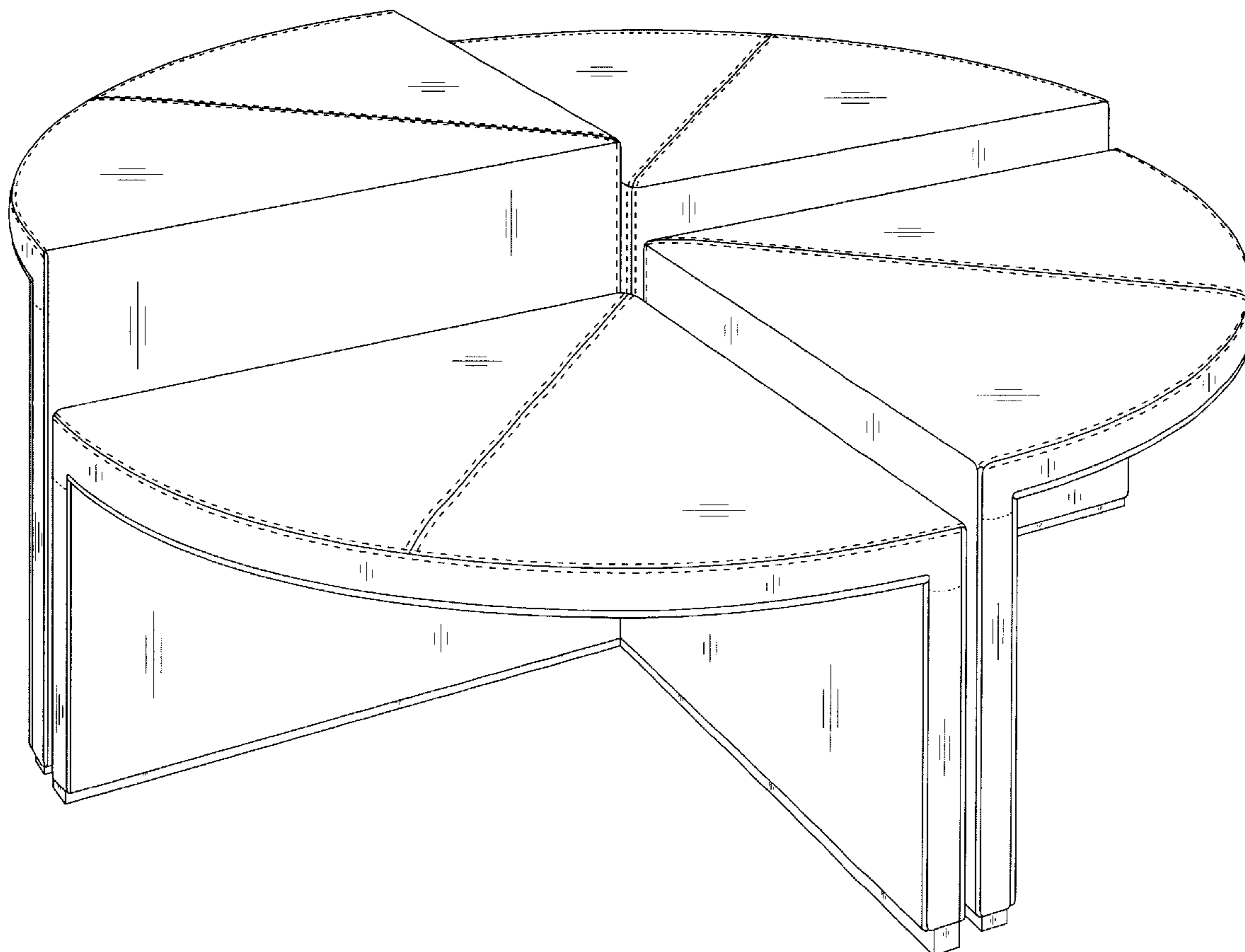
FIG. 5 is a view of FIG. 1 with one section removed for convenience of illustration.

(56) **References Cited**

**U.S. PATENT DOCUMENTS**

D227,966 S \* 7/1973 Duern ..... D6/455

**1 Claim, 5 Drawing Sheets**



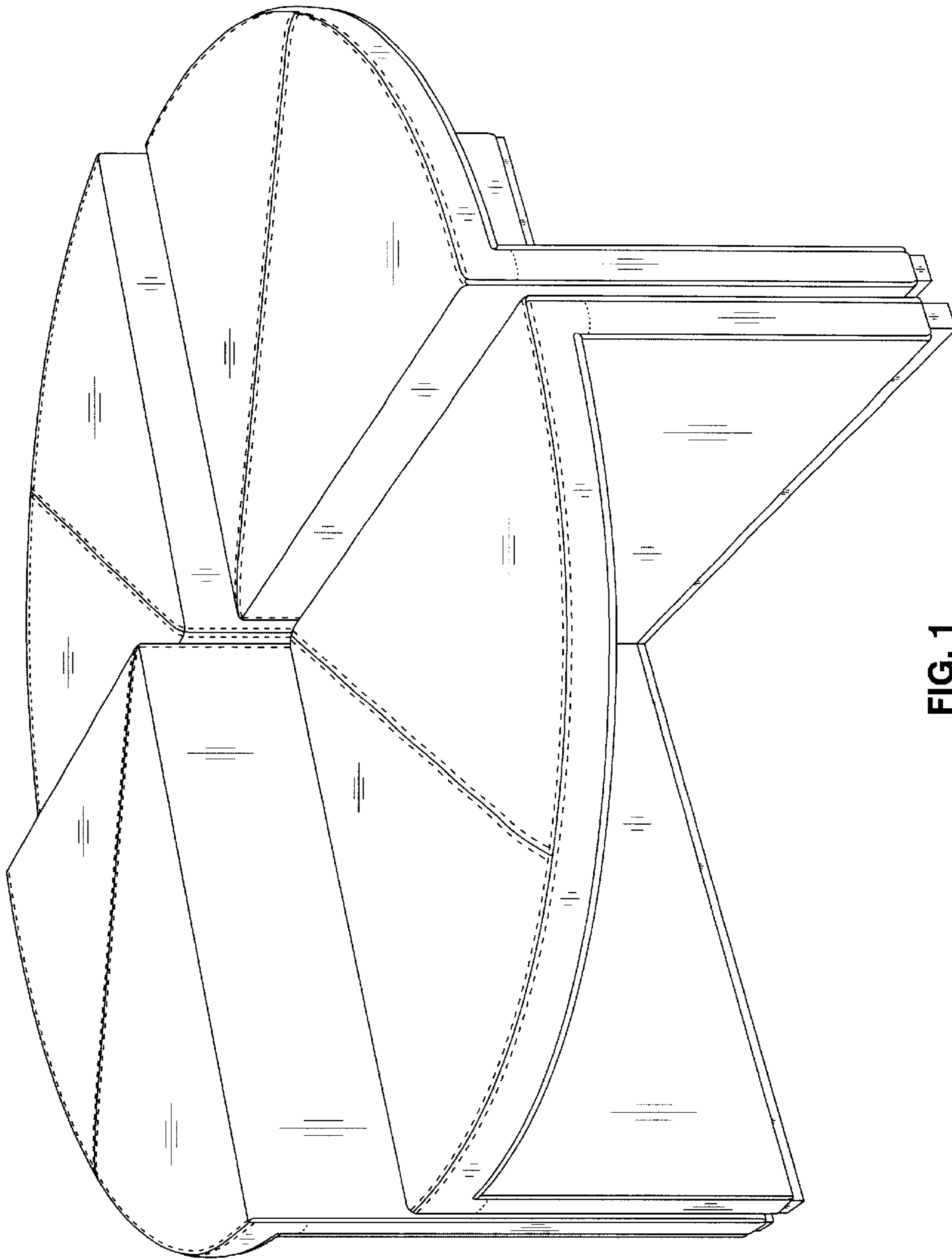


FIG. 1

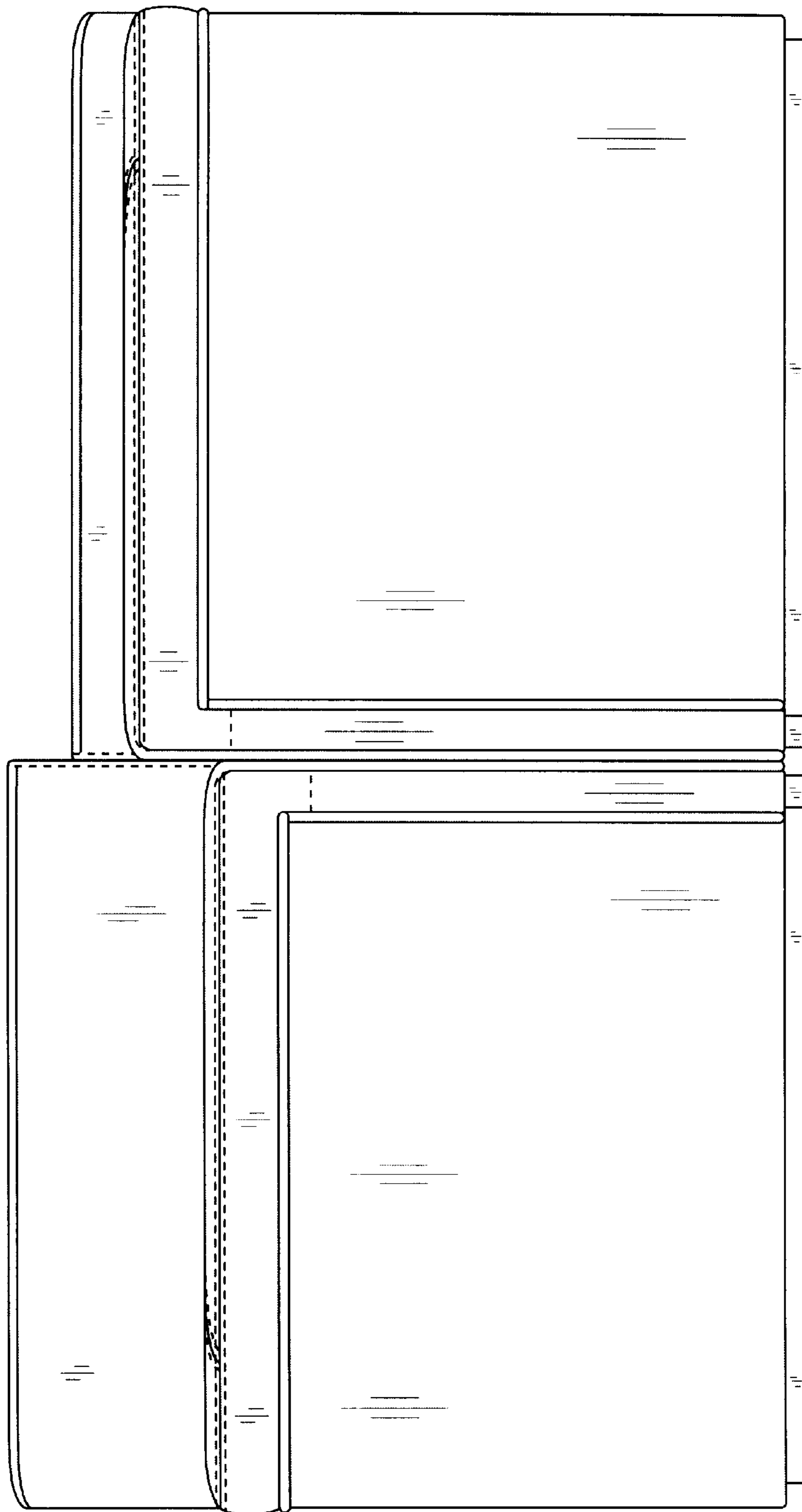


FIG. 2

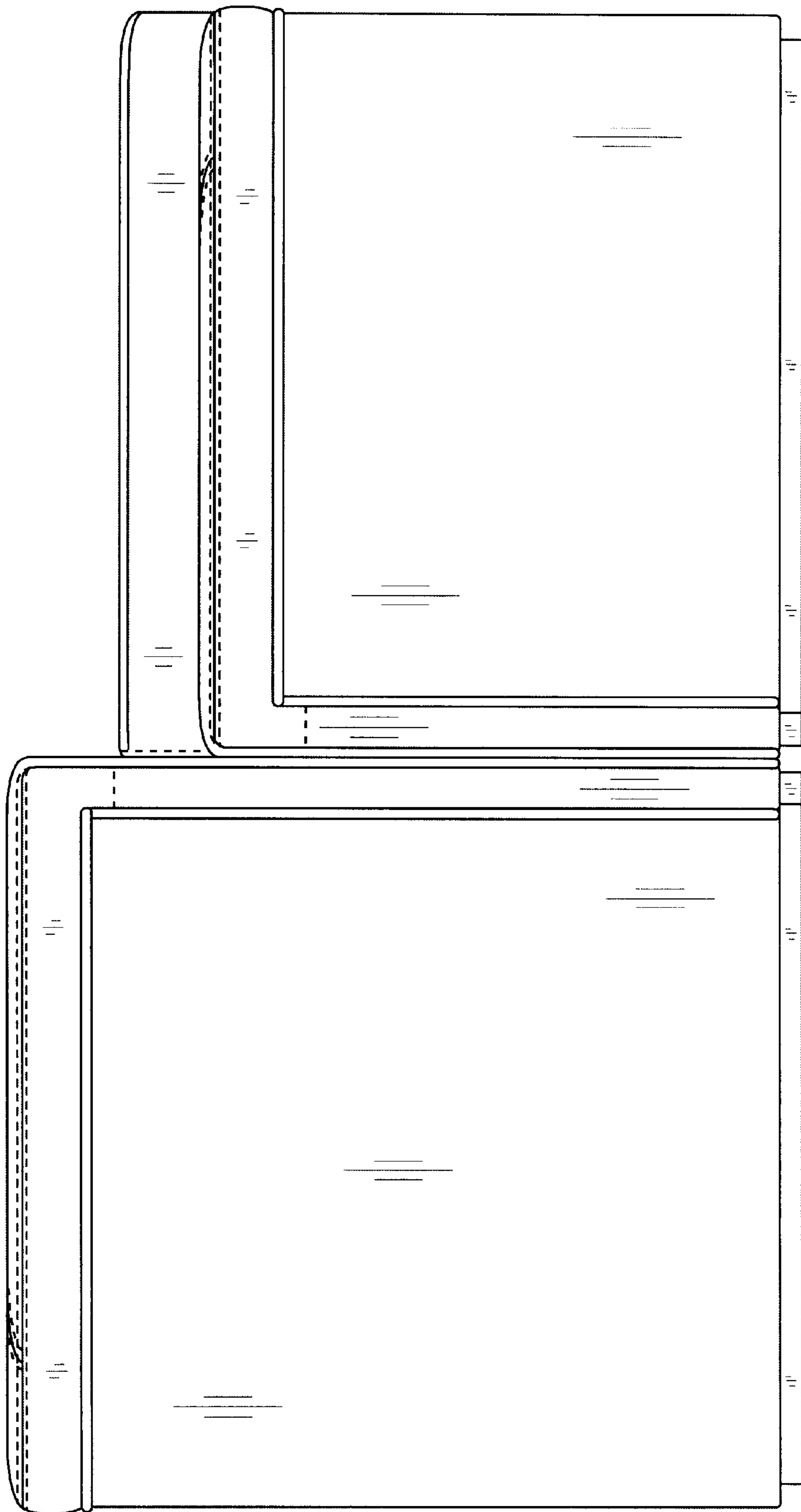


FIG. 3

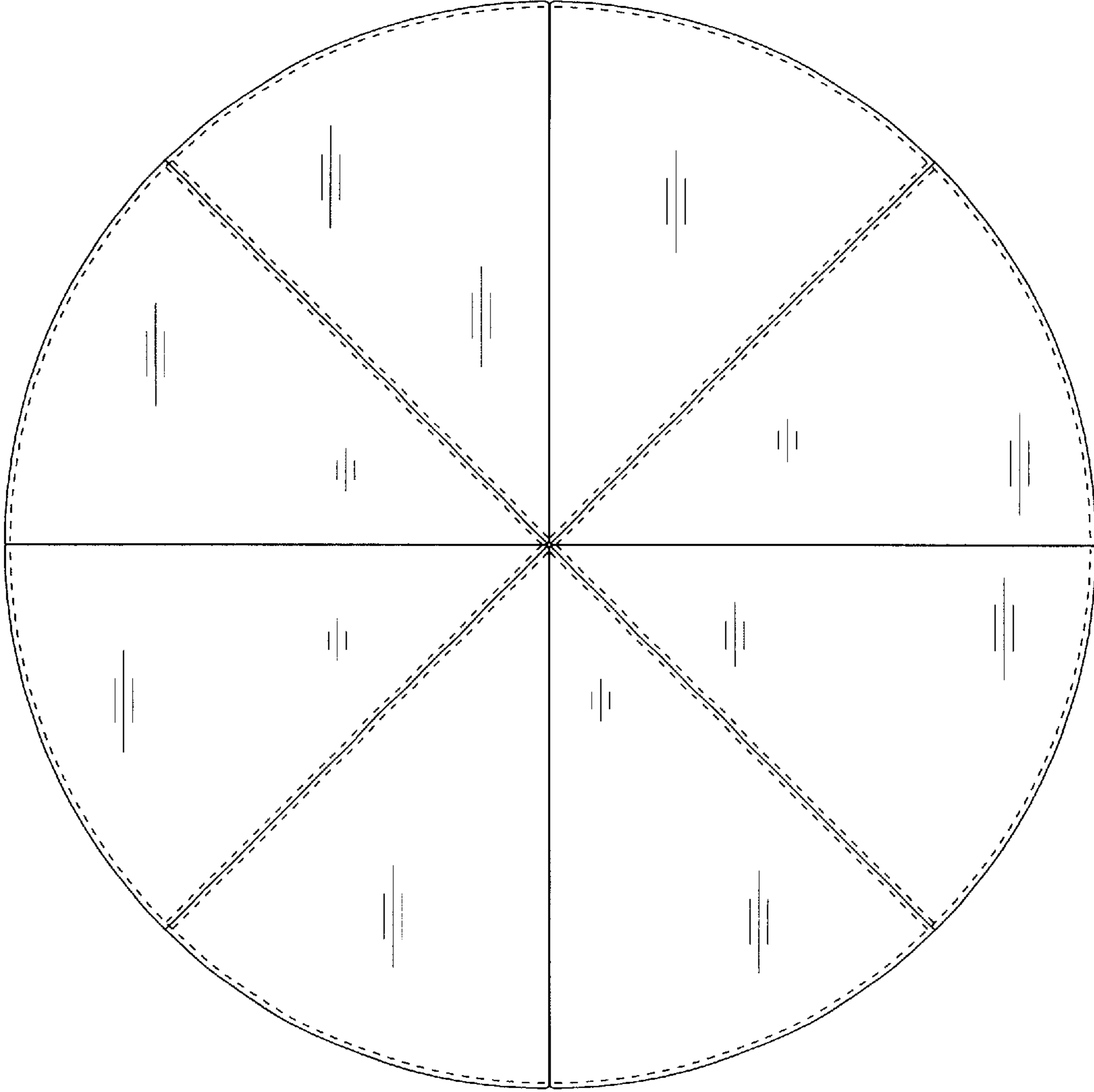


FIG. 4

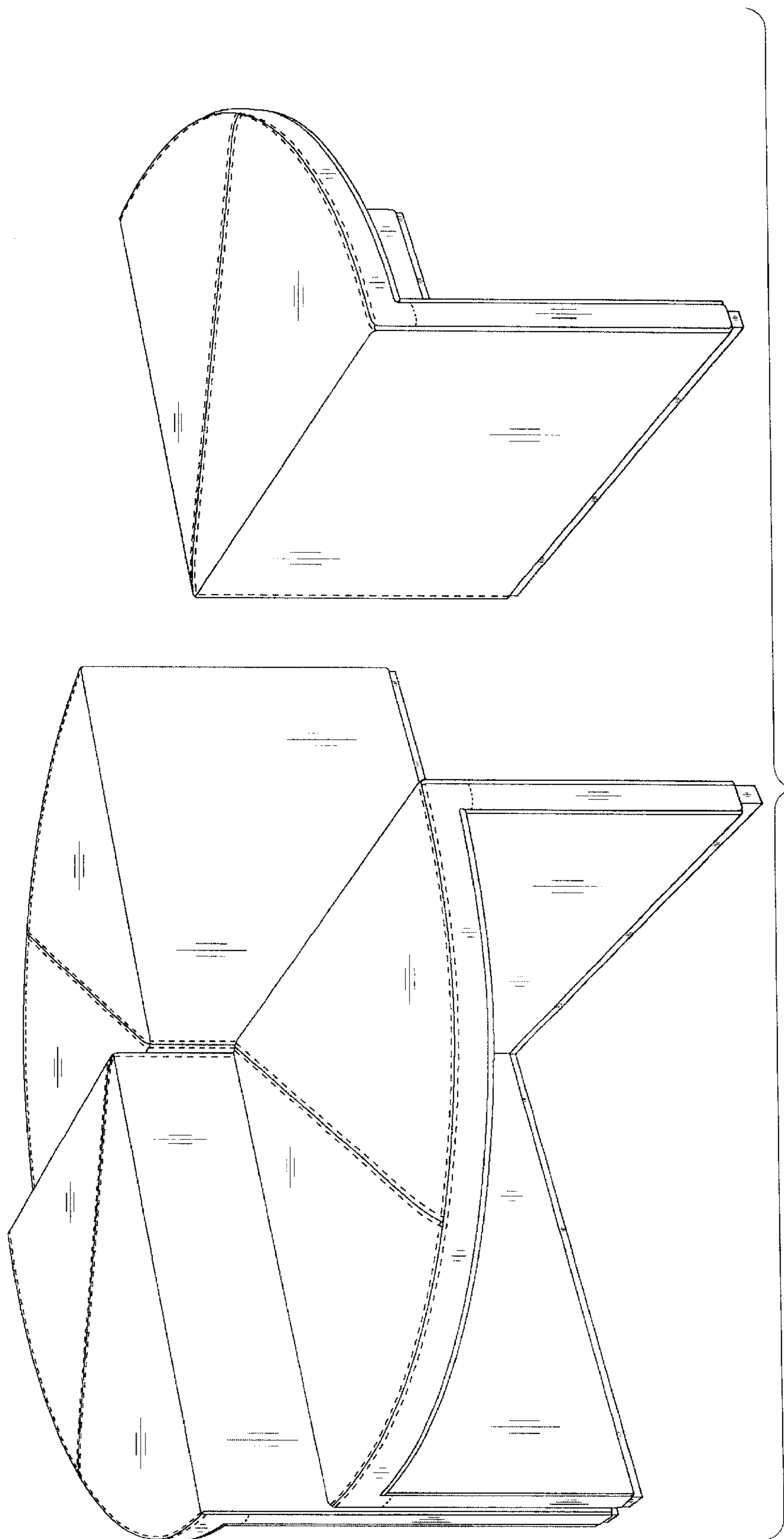


FIG. 5