



US00D527550S

(12) **United States Design Patent**
Sexton

(10) **Patent No.:** **US D527,550 S**

(45) **Date of Patent:** **** Sep. 5, 2006**

(54) **DESK UNIT**

(75) **Inventor:** **James S. Sexton**, Danville, CA (US)

(73) **Assignee:** **Z-Line Designs**, San Ramon, CA (US)

(**) **Term:** **14 Years**

(21) **Appl. No.:** **29/206,778**

(22) **Filed:** **Jun. 2, 2004**

(51) **LOC (8) Cl.** **06-03**

(52) **U.S. Cl.** **D6/480; D6/426**

(58) **Field of Classification Search** D6/422-428;
312/208.1, 238, 194-196, 204; 108/50.01,
108/50.02

See application file for complete search history.

(56) **References Cited**

U.S. PATENT DOCUMENTS

- D324,963 S * 3/1992 LaCour D6/422
- D344,198 S * 2/1994 Weinberger D6/428
- D373,262 S * 9/1996 Luong et al. D6/423

- D469,269 S * 1/2003 Tzeng D6/423
- D471,030 S * 3/2003 Chang D6/423
- D474,355 S * 5/2003 Sexton D6/484

* cited by examiner

Primary Examiner—Janice E. Seeger

(74) *Attorney, Agent, or Firm*—Townsend and Townsend and Crew, LLP

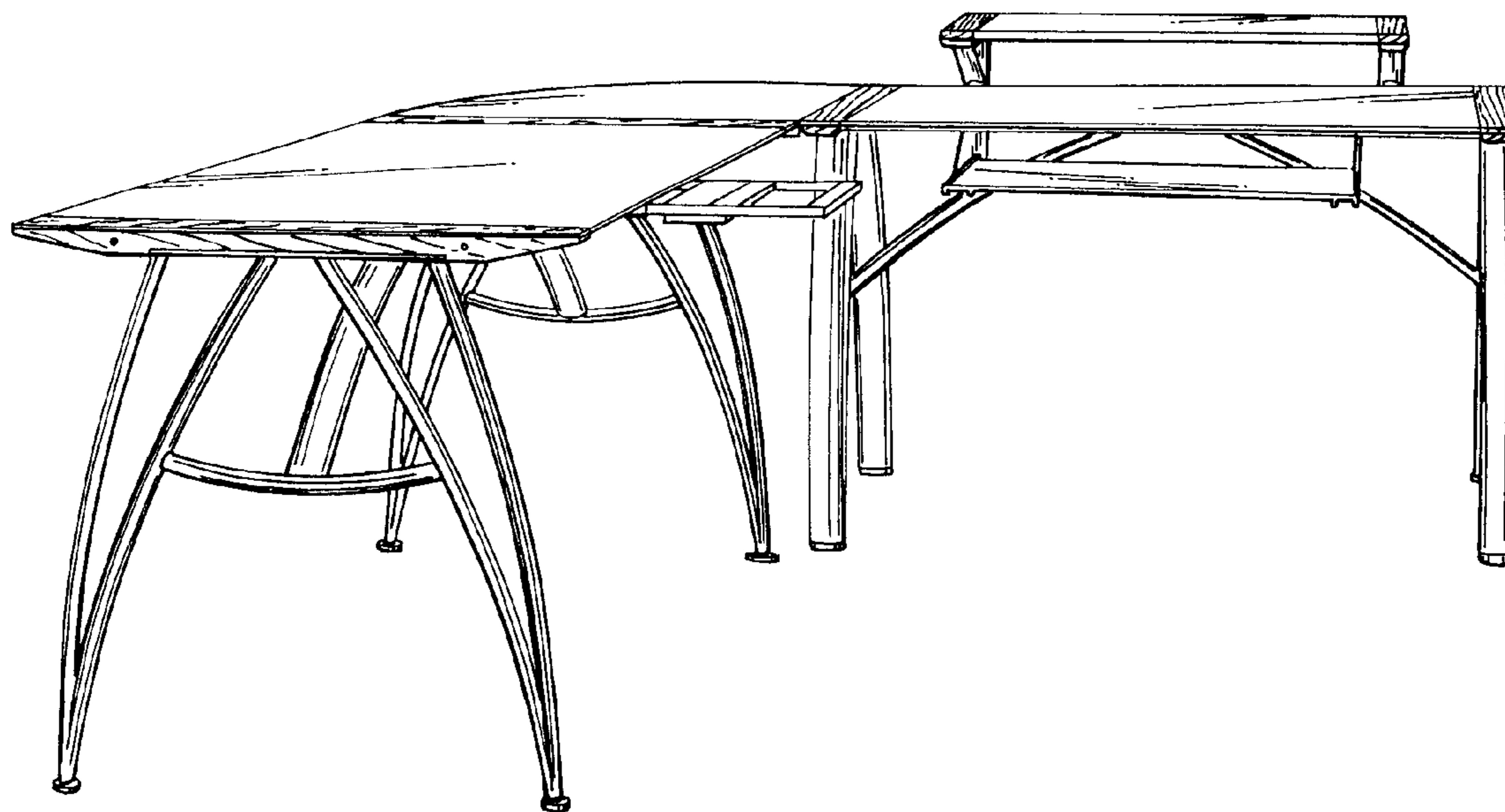
(57) **CLAIM**

The ornamental design for a desk unit, as shown and described.

DESCRIPTION

FIG. 1 is a perspective view of the desk unit showing my new design;
 FIG. 2 is a top plan view thereof;
 FIG. 3 is a front elevational view;
 FIG. 4 is a right side elevational view thereof;
 FIG. 5 is a rear elevational view; and,
 FIG. 6 is a left elevational view thereof.

1 Claim, 3 Drawing Sheets



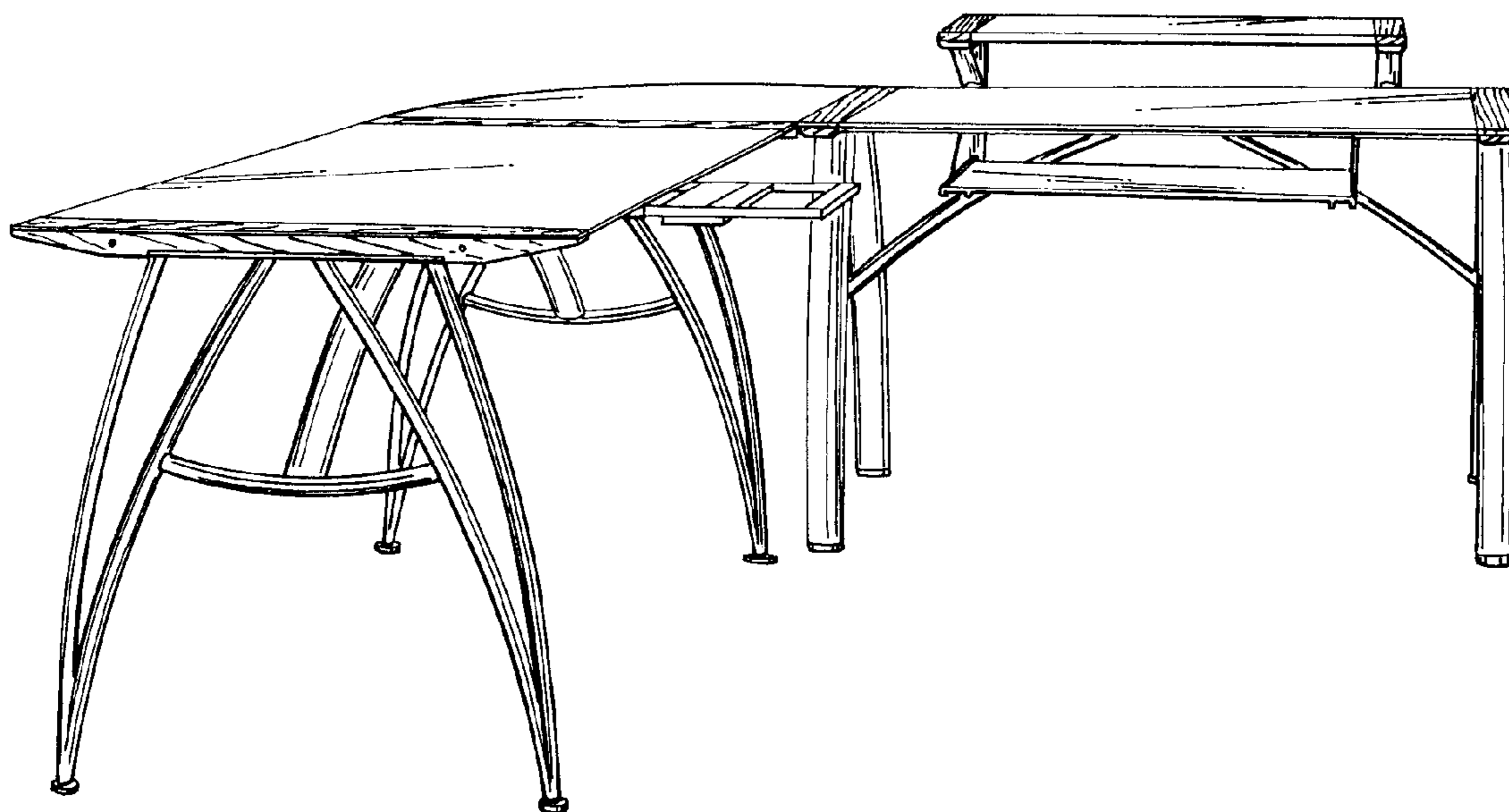


FIG. 1

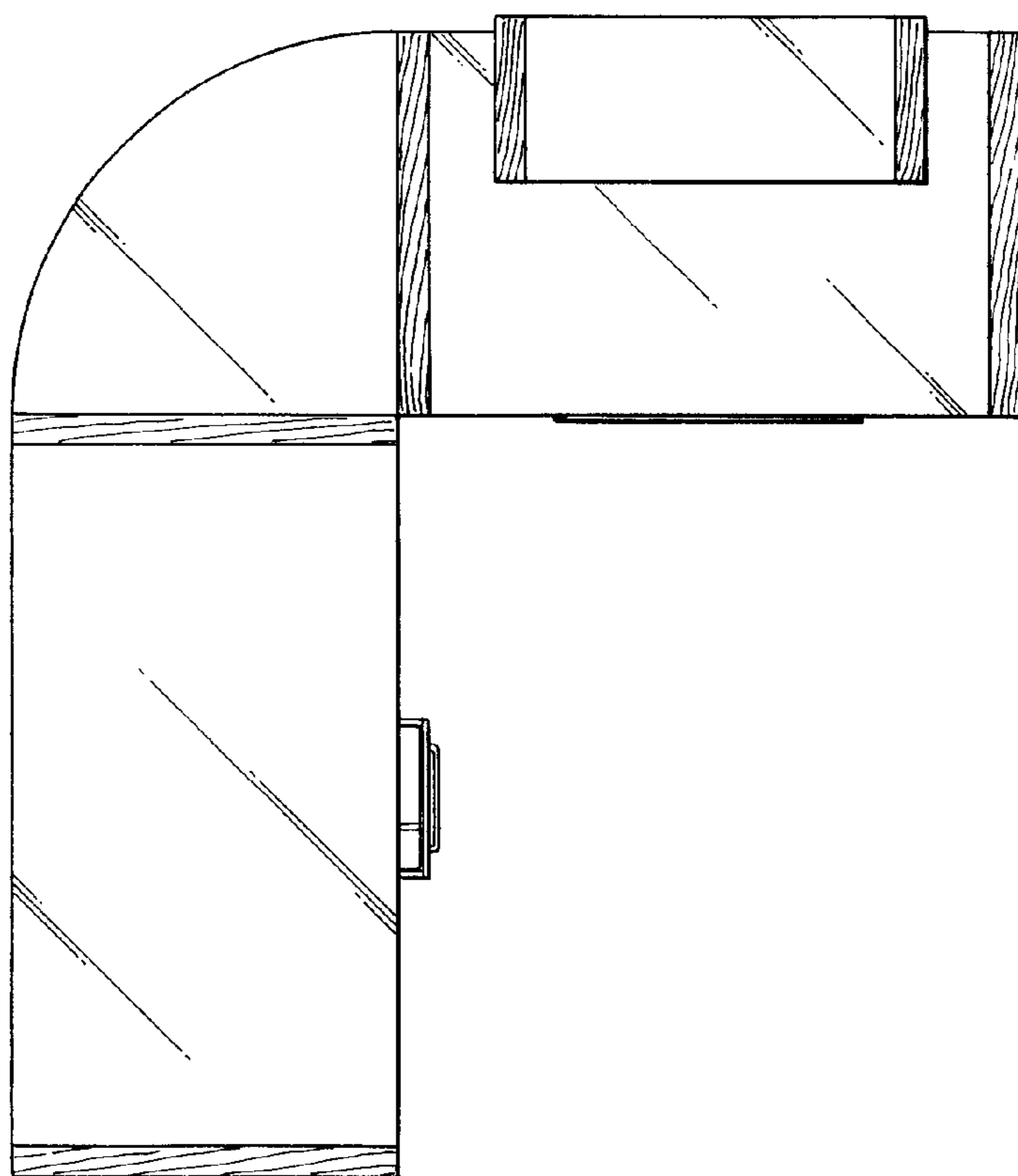


FIG. 2

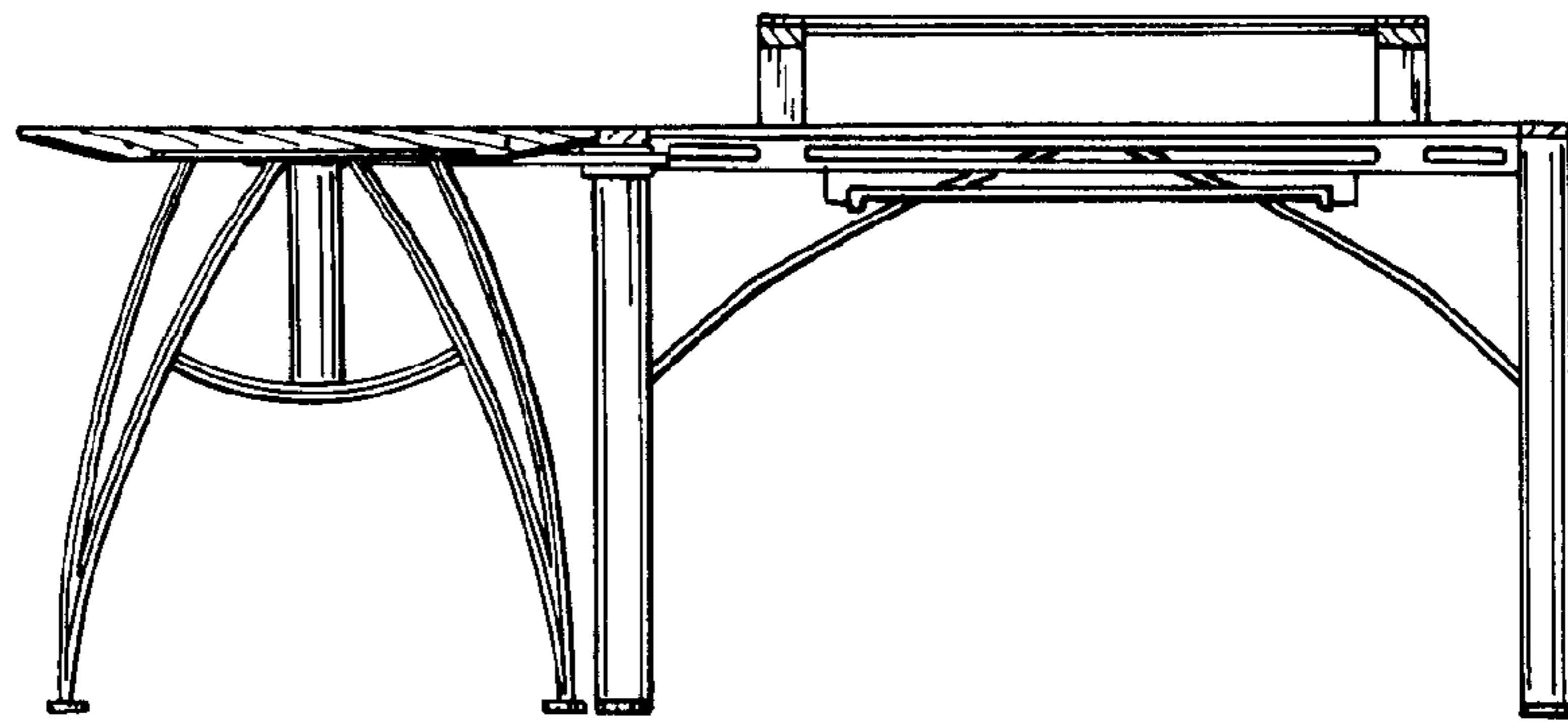


FIG. 3

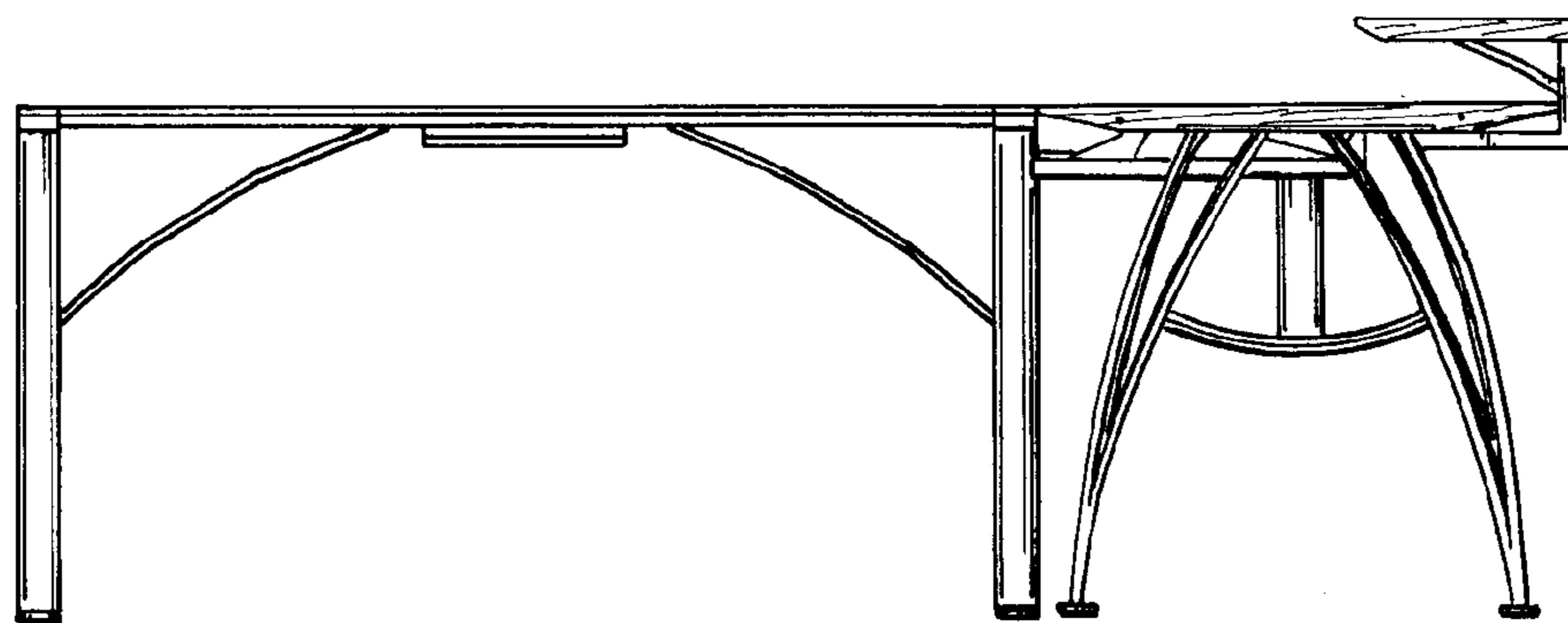


FIG. 4

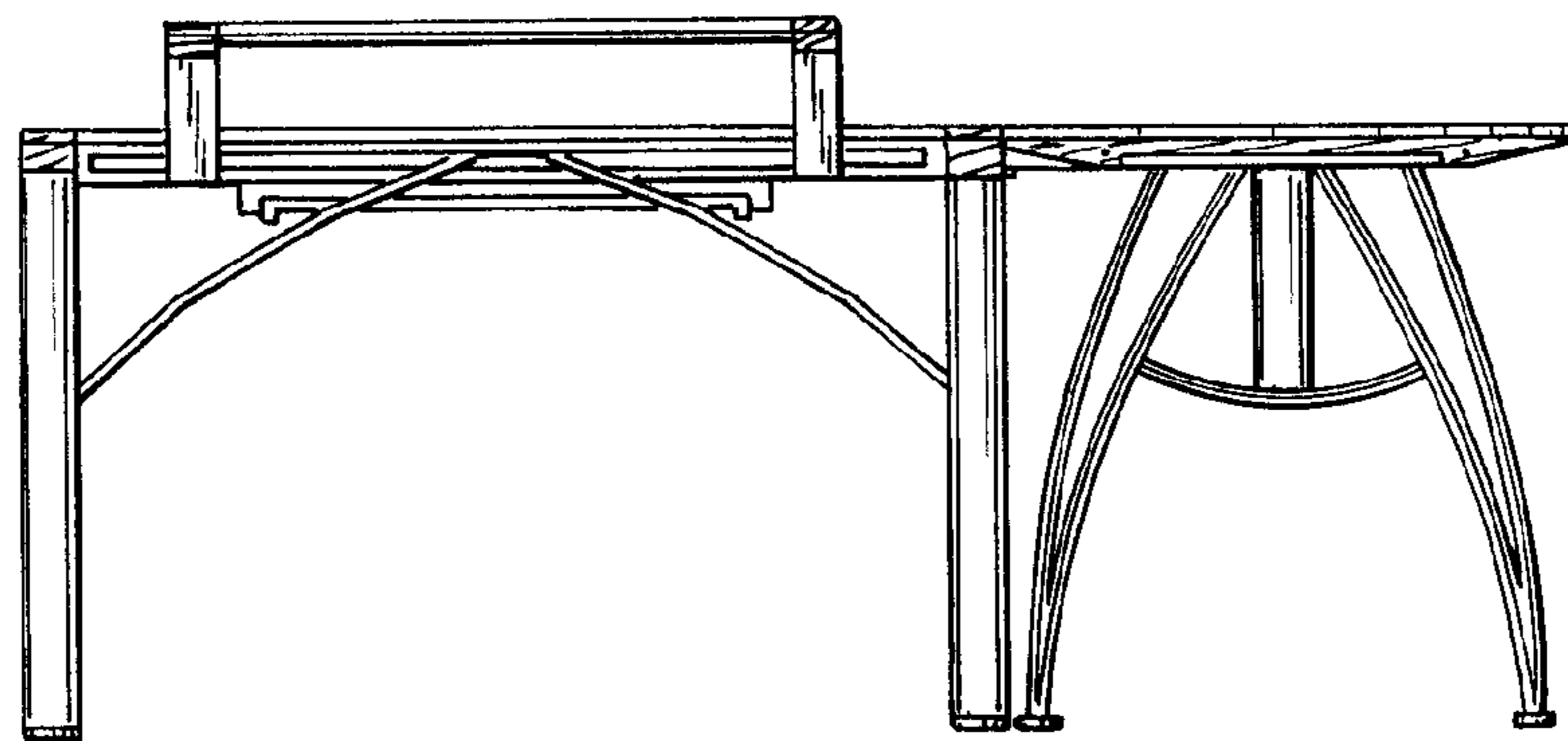


FIG. 5

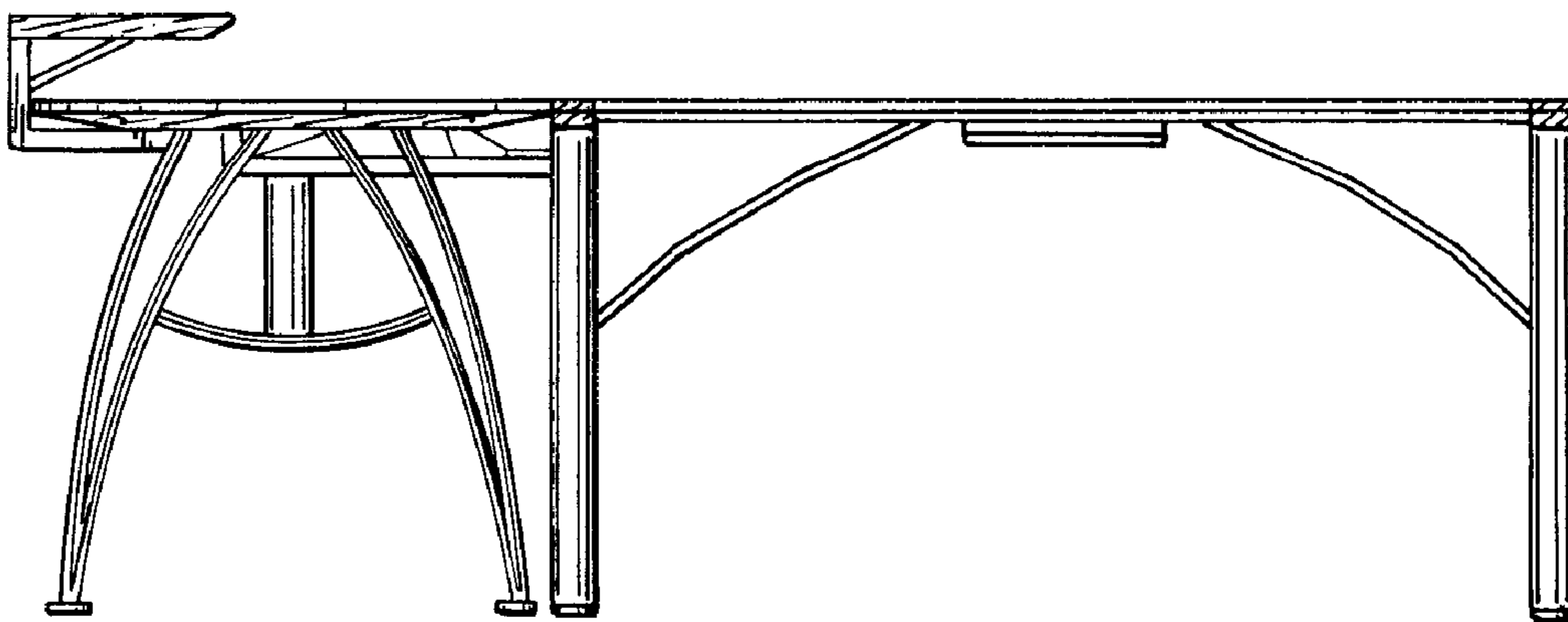


FIG. 6